

# Royal 613-ESM

## MICRO Plumb® PRODUCTS Electronic Prison Flushometer

### Description

Concealed urinal flushometer, for stainless steel 3/4" back inlet urinals. Solenoid operated with modular plug for use with Sloan PWT Systems (24 VAC only).

### Flush Cycle

- Model 613 Water Saver (1.5 gpf/5.7 Lpf)
- Model 613-1.0 Low Consumption (1.0 gpf/3.8 Lpf)
- Model 613-0.5 High-Efficiency (0.5 gpf/1.9 Lpf)

### Specifications

Quiet, concealed, diaphragm-type, rough brass urinal flushometer for either left or right hand supply with the following features:

- PERMEX® synthetic rubber diaphragm with dual filtered fixed bypass
- Non-hold-open integral solenoid operator
- No external volume adjustment to ensure water conservation
- Diaphragm, Handle Packing, Stop Seat and Vacuum Breaker to be molded from PERMEX® rubber compound for Chloramine resistance
- 3/4" I.P.S. WheEL-Handle Bak-Chek® Angle Stop
- Adjustable Tailpiece
- High Back Pressure Vacuum Breaker
- Elbow Flush Connection
- Coupling for 3/4" NPT Back Inlet Urinals (for connection in the pipe chase - flush connection through the wall not provided by Sloan)
- Sweat Solder Adapter

Valve Body, Cover, Tailpiece and Control Stop shall be in conformance with ASTM Alloy Classification for Semi-Red Brass. Valve shall be in compliance to the applicable sections of ASSE 1037 and ANSI/ASME 112.19.6.

### L Dimension

Specify the L Dimension for the proper length of the flush connection assembly. The L Dimension is equal to the wall thickness (to nearest whole inch) plus 2-3/4".

### Variations

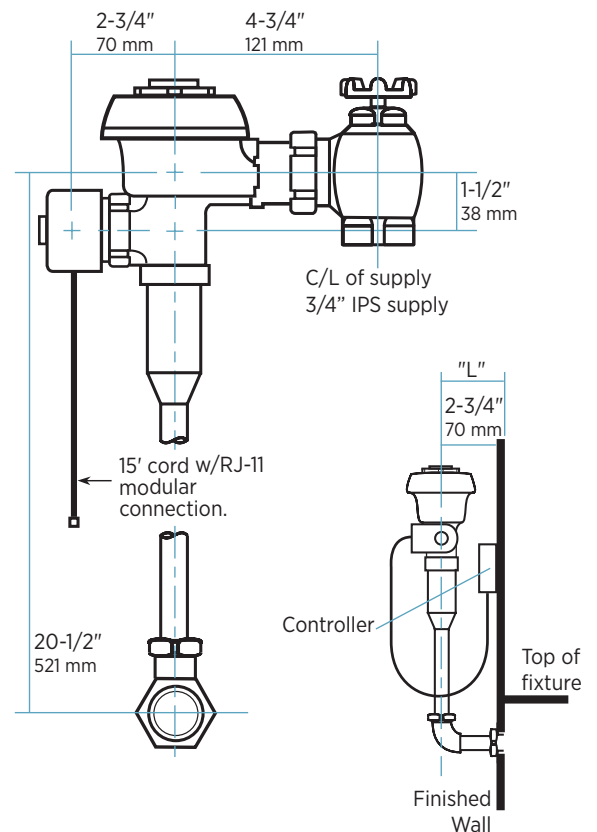
- WB For installation with Sloan Easy Access® Wall Box



Water Connects Us™

Headquarters • 10500 Seymour Avenue • Franklin Park, IL 60131  
P: 847-671-4300 / 800-9-VALVE-9 • F: 847-671-4380 / 800-447-8329

The information contained in this document is subject to change without notice.



Royal 613-ESM 07-14