

DESCRIPTION

Complete rear spud wall hung elongated vitreous china fixture.

Flush Cycle

- Model ST-2060-A-1.28 (1.28 gpf/4.8 Lpf)**
Code: 2102060
- Model ST-2063-A-1.6 (1.6 gpf/6.0 Lpf)
Code: 2102063



SPECIFICATIONS

Water Closet

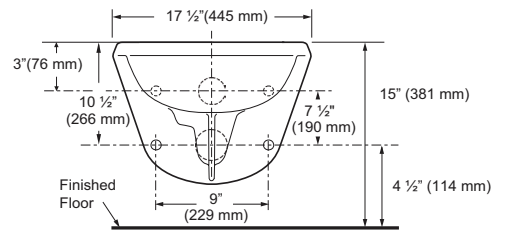
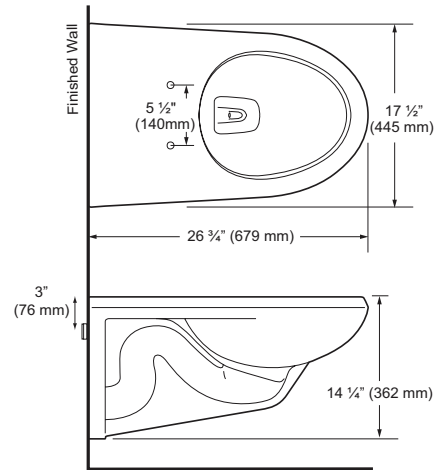
- Wall hung vitreous china elongated bowl
- Siphon jet flushing action
- 1 1/2" I.P.S. rear spud inlet
- 2 1/8" fully glazed trapway diameter
- Mounting hardware, carrier and toilet seat not included
- Integral flushing rim
- Water spot area 9 1/2" x 8 1/4"
- ASME A112.19.2/CSA B45.1

Colors/Finishes

- White

Recommended Seats

- Bemis - 1955CT/1955SSCT & 2155CT/2155SSCT
- Church - 295CT/295SSCT & 2155CT/2155SSCT



Designed to meet ADA standards when bowl is 17" - 19" high including seat

NOTE: All vitreous china dimensions shown in these drawings are nominal. Dimensions can vary within the tolerances established in the governing ASME A112.19.2/CSA B45.1 standard. Please take this into consideration when planning rough-in and plumbing layouts.

**This model meets requirements for a High Efficiency Toilet.



Meets the American Disabilities Guidelines and ANSI A117.1 requirements when installed according to these requirements.

NOTE: Plumbing System Requirements

- ✓ Minimum Flowing Pressure: 25 PSI
- ✓ Maximum Fixture Static Pressure: 80 PSI
- ✓ Minimum Flow Rate: 18 GPM

This space for Architect/Engineer approval	
Job Name	Date
Model Specified	Quantity
Variations Specified	
Customer/Wholesaler	
Contractor	
Architect	

The information contained in this document is subject to change without notice.

Product Specification

Elongated water closet shall be made of vitreous china with a 1 1/2" rear spud inlet. Bowl shall be ADA compliant when installed at required height of 17" to 19" from floor to top of fixture (including seat). Water closet shall be wall mounted with rear spud. Water Closet shall be Sloan Model ST-206_-A-_____.



SLOAN®

Sloan Valve Company
 10500 Seymour Avenue
 Franklin Park, IL 60131
 Phone: 1-800-9-VALVE-9 (982-5839)
 or 1-847-671-4300
 Fax: 1-800-447-8329 or 1-847-671-4380
 www.sloanvalve.com

Copyright © 2014 Sloan Valve Company
 ST-2060 02-14