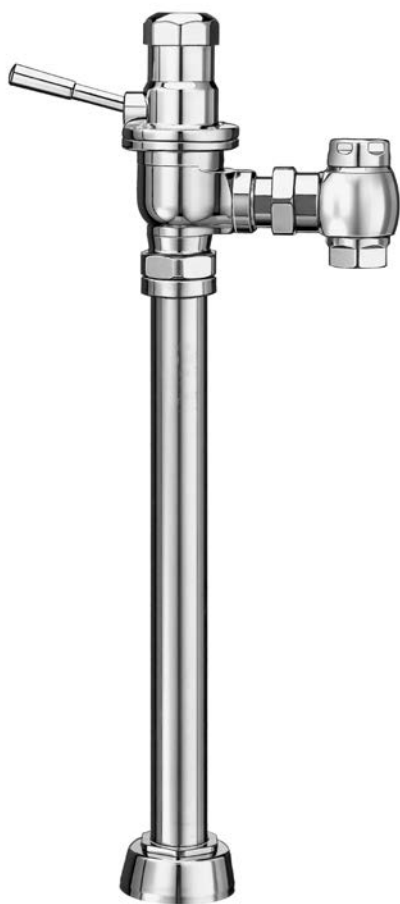




Dolphin® Model Flushometer

113



Description

Exposed water closet flushometer, for floor mounted or wall hung 1-1/2" top spud bowls. Specifically engineered for salt water and severe water conditions.

Flush Cycle

Model 113 (factory set at 3.5 gpf/13.2 Lpf)

Model 113-1.6 (factory set at 1.6 gpf/6.0 Lpf)

Valve Adjustment Range: 0.5 gpf/1.9 Lpf to 16.0 gpf/60.6 Lpf

Factory settings made at 40 psi (275 kPa) — flush volume will vary with pressure and flow rate

Specifications

Quiet, exposed, chrome plated closet flushometer with the following features:

- Metal Lever Handle
- 1" I.P.S. Screwdriver Bak-Chek® Angle Stop
- Vandal Resistant Stop Cap
- Adjustable Tailpiece
- Vacuum Breaker Flush Connection
- Spud Coupling and Flange for 1-1/2" Top Spud
- Flushometer does not require water pressure to positively shut off
- High Copper, Low Zinc Brass Castings for Dezincification Resistance
- Non-Hold-Open Handle and No External Volume Adjustment to Ensure Water Conservation
- Handle Packing, Stop Seat and Vacuum Breaker to be Molded from PERMEX® Rubber Compound for Chloramine Resistance

Valve Body, Cover, Tailpiece and Control Stop shall be in conformance with ASTM Alloy Classification for Red Brass. Valve shall be in compliance to the applicable sections of ASSE 1037.

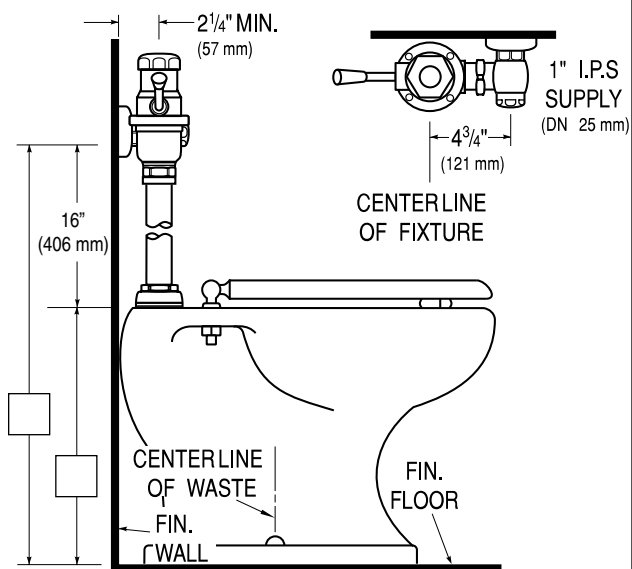
Variations

- GJ** Ground Joint Stop
- K** Wheel Handle Stop
- U** 1¼" Flush Connection and Spud Coupling
- YB** Sweat Solder Adapter Kit
- YBYC** Sweat Solder Adapter & Cast Set Screw Wall Flange
- YI** Two Wall Bumpers (for open front seat without cover)
- YJ** Split Ring Pipe Support
- YK** Solid Ring Pipe Support
- YL** Solid Ring Pipe Support with Bumper
- XYV** Less Vacuum Breaker

NOTE: Bak-Chek Angle Stop available with 1" Whitworth Thread (please specify). Ground Joint Stop (GJ) recommended for salt water applications. Vacuum Breaker usually not required when used with non-potable water (specify XYV Variation).

Accessories

See Accessories Section of the Sloan catalog for details on these and other Flushometer variations.



This space for Architect/Engineer approval

The information contained in this document is subject to change without notice.



SLOAN HEADQUARTERS • 10500 SEYMOUR AVE. • FRANKLIN PARK, IL 60131

Ph: 1-800-9-VALVE-9 • Fax: 1-800-447-8329 or 1-847-671-4380 • www.sloanvalve.com