

Model  
**WEUS-1005.1001-0.5**  
Manual HEU Flushometer and HEU Urinal Fixture

**DESCRIPTION**

Complete HEU system with exposed manual Royal® urinal Flushometer and vitreous china urinal fixture.

**Flush Cycle**

Model WEUS 1005.1001-0.25 (0.5 gpf/1.9 Lpf)

Code: 10051001



Meets the American Disabilities Guidelines and ANSI A117.1 requirements when installed according to these requirements.

**SPECIFICATIONS**

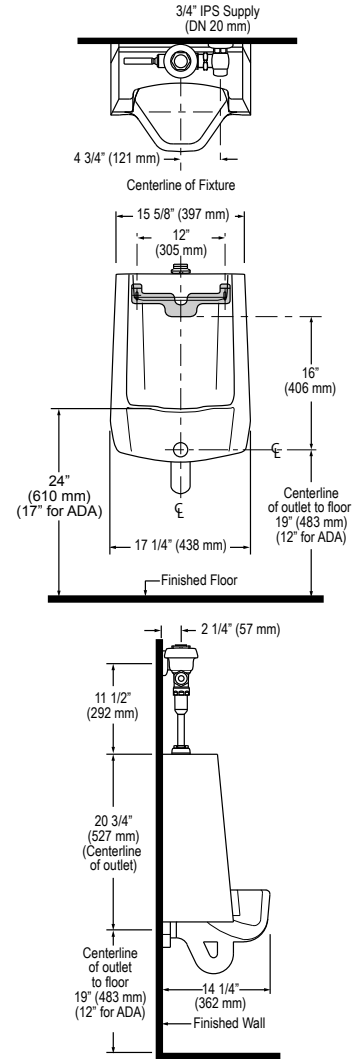
Quiet, exposed, diaphragm type, chrome plated urinal Flushometer and vitreous china urinal with the following features:

**Flushometer**

- PERMEX® Synthetic Rubber Diaphragm with Dual Bypass
- ADA compliant metal oscillating Non-Hold-Open Handle with Triple Seal Handle Packing
- 3/4" I.P.S. Screwdriver Bak-Chek® Angle Stop
- Free spinning Vandal Resistant Stop Cap
- Adjustable Tailpiece
- High Back Pressure Vacuum Breaker Flush Connection with One-piece Bottom Hex Coupling Nut
- Spud Coupling and Flange for 3/4" Top Spud
- Sweat Solder Adapter w/Cover Tube and Cast Wall Flange with Set Screw
- High copper, low zinc brass castings for dezincification resistance
- Non-Hold-Open Handle, Fixed Metering Bypass and no external volume adjustment to ensure water conservation
- Flush accuracy controlled by CID® technology
- Diaphragm, Handle Packing, Stop Seat and Vacuum Breaker molded from PERMEX® rubber compound for chloramine resistance
- Valve Body, Cover, Tailpiece and Control Stop shall be in conformance with ASTM Alloy Classification for Semi-Red Brass. Valve shall be in compliance to the applicable sections of ASSE 1037/ ASME A112.19.2/CSA B45.1

**Fixture**

- Wall hung vitreous china with Integral flushing rim
- Washdown flushing action
- Vandal resistant strainer assembly included
- 3/4" I.P.S. top spud inlet
- 2" NPT outlet flange
- All mounting hardware included
- 100 % factory flush tested
- Compliant to the applicable sections of ASME A112.19.2/CSA B45.1
- Carrier not included
- Compliant with Buy American Act when purchased as a combination



NOTE: All vitreous china dimensions shown in these drawings are nominal. Dimensions can vary within the tolerances established in the governing ASME A112.19.2/CSA B45.1 standard. Please take this into consideration when planning rough-in and plumbing layouts.

NOTE: Plumbing System Requirements  
 ✓ Minimum **Flowing** Pressure: 25 PSI  
 ✓ Maximum Fixture Static Pressure: 80 PSI

This space for Architect/Engineer approval	
Job Name	Date
Model Specified	Quantity
Variations Specified	
Customer/Wholesaler	
Contractor	
Architect	

**SLOAN**

Sloan Valve Company  
 10500 Seymour Avenue  
 Franklin Park, IL 60131  
 Phone: 1-800-9-VALVE-9 (982-5839)  
 or 1-847-671-4300  
 Fax: 1-800-447-8329 or 1-847-671-4380  
 www.sloanvalve.com

Copyright © 2013 Sloan Valve Company  
 WEUS-1005.1001 11-13