



DESCRIPTION

Complete HET system with exposed manual Royal® closet Flushometer and vitreous china ADA compliant fixture.

Flush Cycle

Model WETS 2020.1001-1.28 (1.28 gpf/4.8 Lpf)



Meets the American Disabilities guidelines and ANSI A117.1 requirements when installed according to these requirements



NOTE:

Plumbing System Requirements

- Minimum **Flowing** Pressure: 25 PSI
- Minimum Flow Rate: 18 GPM

SPECIFICATIONS

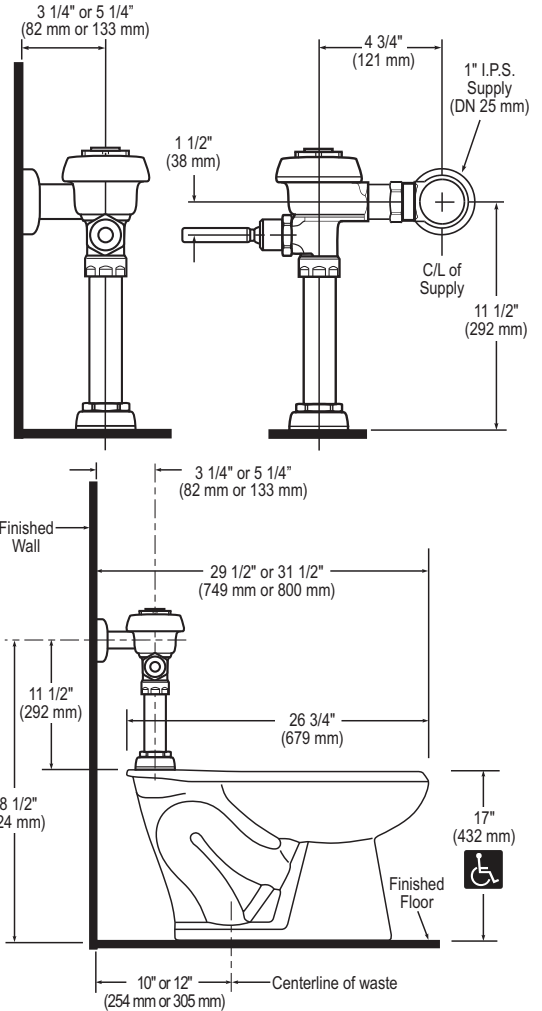
Quiet, exposed, diaphragm type, chrome plated HET closet Flushometer and HET vitreous china ADA compliant fixture with the following features:

Flushometer

- PERMEX® Synthetic Rubber Diaphragm with Dual Filtered Fixed Bypass
- ADA compliant metal oscillating Non-Hold-Open Handle with Triple Seal Handle Packing
- 1" I.P.S. Screwdriver Bak-Chek® Angle Stop
- Free spinning Vandal Resistant Stop Cap
- Adjustable Tailpiece
- High Back Pressure Vacuum Breaker Flush Connection with One-piece Bottom Hex Coupling Nut
- Spud Coupling and Flange for 1 1/2" Top Spud
- Sweat Solder Adapter w/Cover Tube and Cast Wall Flange w/Set Screw
- High copper, low zinc brass castings for dezincification resistance
- Non-Hold-Open Handle, Fixed Metering Bypass and no external volume adjustment to ensure water conservation
- Flush accuracy controlled by CID® technology
- Diaphragm, Handle Packing, Stop Seat and Vacuum Breaker molded from PERMEX® rubber compound for chloramine resistance
- Valve Body, Cover, Tailpiece and Control Stop shall be in conformance with ASTM Alloy Classification for Semi-Red Brass. Valve shall be in compliance to the applicable sections of ASSE 1037.

Fixture

- ADA compliant
- Vitreous china
- Floor Mounted
- 1 1/2" I.P.S. top spud inlet
- 2 1/8" trapway diameter
- Integral flushing rim
- Elongated bowl
- Siphon jet flush
- Closet bolts and caps included
- 100 % factory flush tested
- Toilet seat not included
- Compatible with toilet seat models: Olsonite 10CT, Bemis 1955CT & Church Commercial 295CT
- Water closet shall be in compliance to the applicable sections of ASME A112.19.2/CSA B45.1
- Compliant with Buy American Act when purchased as a combination



This space for Architect/Engineer approval

Job Name	Date
Model Specified	Quantity
Variations Specified	
Customer/Wholesaler	
Contractor	
Architect	

The information contained in this document is subject to change without notice.



Sloan Valve Company is buying renewable energy certificates to meet 100% of the company's purchased electricity use at its Franklin Park, Illinois facility.

SLOAN®

Sloan Valve Company
 10500 Seymour Avenue,
 Franklin Park, IL 60131
 Phone: 1-800-9-VALVE-9 (982-5839)
 or 1-847-671-4300
 Fax: 1-800-447-8329 or 1-847-671-4380
 www.sloanvalve.com

Copyright © 2010 Sloan Valve Company
 Rev. 0b (10/10)