

Model

WETS 2050.1302-1.28 HWS

OPTIMA® Systems Sensor Activated HET Flushometer and HET Wall Hung Water Closet

DESCRIPTION

Complete HET system with exposed, AC powered, sensor activated, Royal® OPTIMA® SMOOTH™ Hardwire closet Flushometer and vitreous china wall hung fixture.

Flush Cycle

Model WETS-2050.1302-1.28 HWS (1.28 gpf/4.8 Lpf)

Code:20501302



Meets the American Disabilities Guidelines and ANSI A117.1 requirements when installed according to these requirements.

NOTE:

Plumbing System Requirements

- Minimum **Flowing** Pressure: 25 PSI
- Minimum Flow Rate: 18 GPM
- Maximum Static Pressure: 80 PSI

SPECIFICATIONS

Quiet, exposed, sensor activated diaphragm type, chrome plated closet Flushometer for either left or right hand supply and vitreous china wall hung water closet with the following features:

Flushometer

- PERMEX® Synthetic Rubber Diaphragm with Dual Filtered Fixed Bypass
- 1" I.P.S. Screwdriver Bak-Chek® Angle Stop
- High Back Pressure Vacuum Breaker Flush Connection with One-Piece Bottom Hex Coupling Nut, Spud Coupling and Flange for 1-1/2" Top Spud
- Sweat Solder Adapter with Cover Tube and Cast Wall Flange with Set Screw
- Non-Hold-Open Handle, Fixed Metering Bypass and no external volume adjustment to ensure water conservation
- Flush Accuracy Controlled by CID® Technology
- Diaphragm, Stop Seat and Vacuum Breaker to be molded from PERMEX® Rubber Compound for Chloramine Resistance
- Valve Body, Cover, Tailpiece and Control Stop shall be in conformance with ASTM Alloy Classification for Semi-Red Brass. Valve shall be in compliance with the applicable sections of ASSE 1037.

OPTIMA® SMOOTH™ HWS Unit

- ADA compliant OPTIMA® SMOOTH™ AC powered infrared sensor for automatic "Hands-free" operation
- Mechanical Manual Override Flush Handle
- "User in View" flashing LED
- 25 to 80 psi operating range
- Vandal resistant 1/8" ball-type hex key included

Fixture

- Wall hung vitreous china elongated bowl
- Siphon jet flushing action
- 1-1/2" I.P.S. top spud inlet
- 2 1/8" fully glazed trapway diameter
- Integral flushing rim
- Water spot area 9 1/2" x 8 1/4"
- Mounting hardware, carrier and toilet seat not included
- Compatible with toilet seat models: Olsonite 10CT, Bemis 1955CT, Bemis 2155CT & Church Commercial 295CT
- Water closet shall be in compliance to the applicable sections of ASME A112.19.2/CSA B45.1

FEATURES

Automatic

Sloan OPTIMA® SMOOTH™ Hardwire equipped Flushometers provide the ultimate in sanitary protection and automatic operation. There are no handles to trip or buttons to push. The Flushometer operates by means of an infrared sensor that adapts to its surroundings. Once the user enters the sensor's effective range and then steps away, the Flushometer Solenoid initiates the flushing cycle to flush the fixture.

Hygienic

User makes no physical contact with the Flushometer surface. Helps control the spread of infectious diseases. 72-hour Sentinel Flush keeps fixture fresh during periods of nonuse.

Economical

Automatic operation provides water usage savings over other flushing devices. Reduces maintenance and operation costs.

Practical

Solid state electronic circuitry assures years of dependable, trouble-free operation. The operational components of the Flushometer are identical to a handle activated Royal® Flushometer, proven by more than 100 years of experience.

Warranty

3 year (limited)



SLOAN

Sloan Valve Company
10500 Seymour Avenue
Franklin Park, IL 60131
Phone: 1-800-9-VALVE-9 (982-5839)
or 1-847-671-4300
Fax: 1-800-447-8329 or 1-847-671-4380
www.sloanvalve.com

Copyright © 2013 Sloan Valve Company
WETS-2050.1302 09-13

This space for Architect/Engineer approval	
Job Name _____	Date _____
Model Specified _____	Quantity _____
Variations Specified _____	
Customer/Wholesaler _____	
Contractor _____	
Architect _____	

Model
WETS 2050.1302-1.28 HWS

OPTIMA® Systems Sensor Activated HET Flushometer and HET Wall Hung Water Closet

DESCRIPTION

Complete HET system with exposed, AC powered, sensor activated, Royal® OPTIMA® SMOOTH™ Hardwire closet Flushometer and vitreous china wall hung fixture.

Flush Cycle

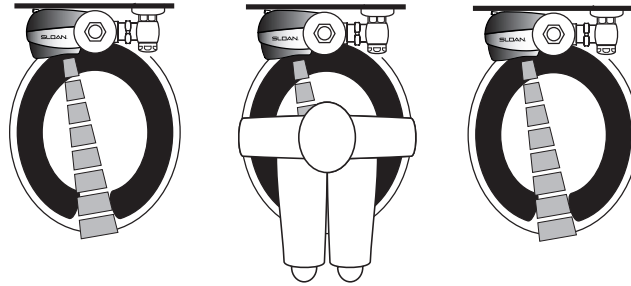
Model WETS-2050.1302-1.28 HWS (1.28 gpf/4.8 Lpf)

ELECTRICAL SPECIFICATIONS

- **Control Circuit**
6 VDC input, 8 second arming delay, 72 hour Sentinel Flush
- **OPTIMA® Sensor Range**
Normal Range (recommended for Water Closets) with 2 – 3 second flush delay:
26" – 32" (660 mm – 813 mm)
Normal Range (recommended for Water Closets) with 1 – 2 second flush delay:
26" – 32" (660 mm – 813 mm)
- **OPTIMA® Sensor Type**
Active infrared with automatic adjustment
- **Valve Operating Pressure (Flowing)**
25 – 80 psi (172-552 kPa)
- **Transformer**
EL-386 (Plug-in)
120 VAC, 50/60 Hz Primary
6 VAC, 50/60 Hz Secondary
Class II, 25 VA.

EL-451 (Box Mount)
120 VAC, 50/60 Hz Primary
6 VAC, 50/60 Hz Secondary
Class II, 25 VA.
- **Transformer Options**
EL-386 (120 VAC/6 VAC 50/60 Hz (3 VA) – Plug-in (will operate 1 unit)
EL-451 (120 VAC/6 VAC 50/60 Hz (25 VA) – Box Mount (will operate up to 8 units)

OPERATION

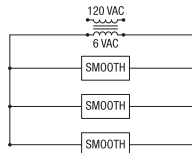


1. A continuous, invisible light beam is emitted from the OPTIMA® SMOOTH™ unit's Infrared Sensor.
2. When the user enters the sensor's effective range, the Red LED light in the sensor window flashes for eight seconds. After eight seconds of sensing the user, the light will stop flashing and the unit waits for the user to step away before initiating a flush cycle.
3. When the user steps away, the unit initiates a flush cycle. The unit then automatically resets and is ready for the next user.

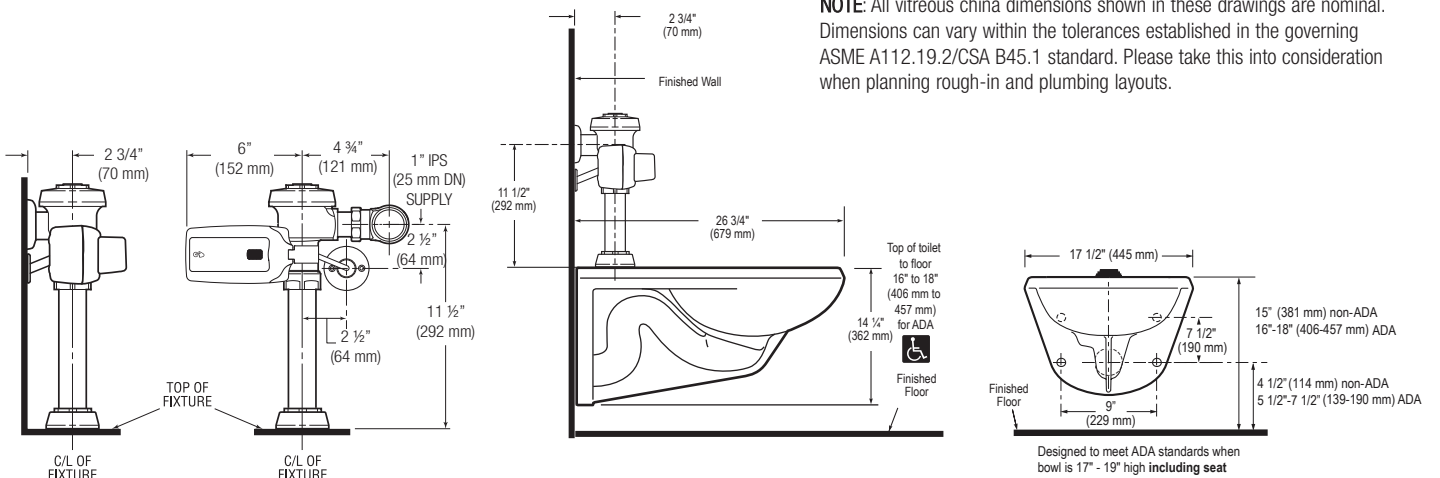
One EL-386 Transformer serves one (1) Optima® closet/urinal Flushometer.

One EL-451 Transformer serves up to eight (8) Optima® closet/urinal Flushometers. Specify part number and number of transformers required accordingly.

WIRING DIAGRAM



DIMENSIONS/ROUGH-IN



SLOAN VALVE COMPANY • 10500 SEYMOUR AVENUE • FRANKLIN PARK, IL 60131

Phone: 1-800-9-VALVE-9 or 1-847-671-4300 • Fax: 1-800-447-8329 or 1-847-671-4380 • www.sloanvalve.com