

Model  
**WEUS-1006.1001-1.0**  
Manual Flushometer and Urinal Fixture

**DESCRIPTION**

Complete HEU system with exposed manual Royal® urinal Flushometer and vitreous china urinal fixture.

**Flush Cycle**

Model WEUS 1006.1001-1.0 (1.0 gpf/3.8 Lpf)

Code: 10061001



Meets the American Disabilities Guidelines and ANSI A117.1 requirements when installed according to these requirements.

**SPECIFICATIONS**

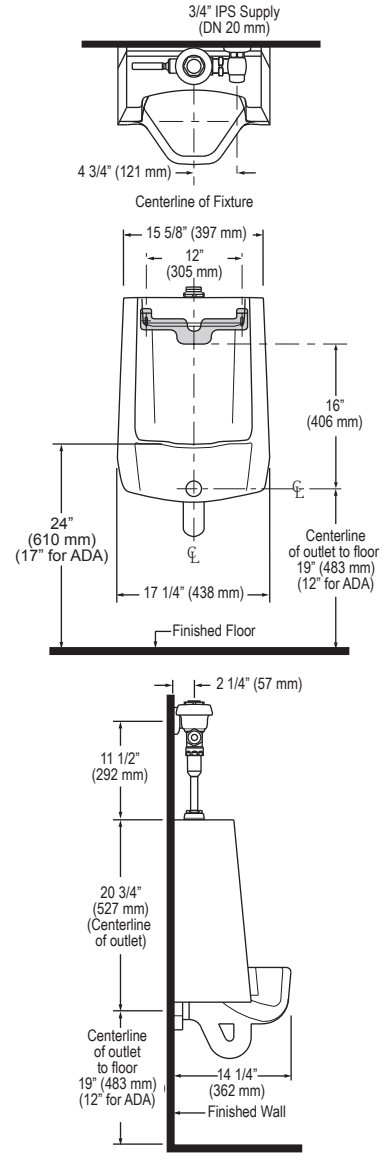
Quiet, exposed, diaphragm type, chrome plated urinal Flushometer and vitreous china urinal with the following features:

**Flushometer**

- PERMEX® Synthetic Rubber Diaphragm with Dual Bypass
- ADA compliant metal oscillating Non-Hold-Open Handle with Triple Seal Handle Packing
- ¾" I.P.S. Screwdriver Bak-Chek® Angle Stop
- Free spinning Vandal Resistant Stop Cap
- Adjustable Tailpiece
- High Back Pressure Vacuum Breaker Flush Connection with One-piece Bottom Hex Coupling Nut
- Spud Coupling and Flange for ¾" Top Spud
- Sweat Solder Adapter w/Cover Tube and Cast Wall Flange with Set Screw
- High copper, low zinc brass castings for dezincification resistance
- Non-Hold-Open Handle, Fixed Metering Bypass and no external volume adjustment to ensure water conservation
- Flush accuracy controlled by CID® technology
- Diaphragm, Handle Packing, Stop Seat and Vacuum Breaker molded from PERMEX® rubber compound for chloramine resistance
- Valve Body, Cover, Tailpiece and Control Stop shall be in conformance with ASTM Alloy Classification for Semi-Red Brass. Valve shall be in compliance to the applicable sections of ASSE 1037/ ASME A112.19.2/CSA B45.1

**Fixture**

- Wall hung vitreous china with Integral flushing rim
- Washdown flushing action
- Vandal resistant strainer assembly included
- ¾" I.P.S. top spud inlet
- 2" NPT outlet flange
- All mounting hardware included
- 100 % factory flush tested
- Compliant to the applicable sections of ASME A112.19.2/CSA B45.1
- Carrier not included
- Compliant with Buy American Act when purchased as a combination



NOTE: All vitreous china dimensions shown in these drawings are nominal. Dimensions can vary within the tolerances established in the governing ASME A112.19.2/CSA B45.1 standard. Please take this into consideration when planning rough-in and plumbing layouts.

NOTE: Plumbing System Requirements  
√ Minimum **Flowing** Pressure: 25 PSI  
√ Maximum Fixture Static Pressure: 80 PSI



**This space for Architect/Engineer approval**

Job Name	Date
Model Specified	Quantity
Variations Specified	
Customer/Wholesaler	
Contractor	
Architect	

**SLOAN**

Sloan Valve Company  
10500 Seymour Avenue  
Franklin Park, IL 60131  
Phone: 1-800-9-VALVE-9 (982-5839)  
or 1-847-671-4300  
Fax: 1-800-447-8329 or 1-847-671-4380  
www.sloanvalve.com

Copyright © 2013 Sloan Valve Company  
WEUS-1006.1001 11-13