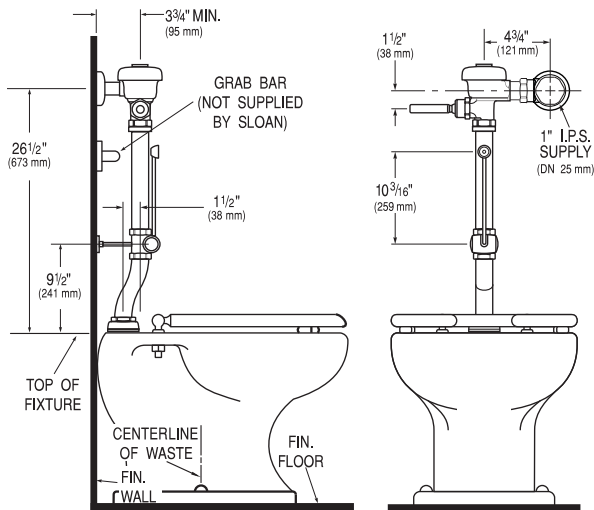


UPPERCUT

The Fastest Way to Start Saving Water!

HET
HIGH-EFFICIENCY TOILET



Bedpan Washer Dual Flush Flushometer

WES BPW-1150

- ▶ **Description**
Exposed Bedpan Washer Water Closet Flushometer with Dual Flush Feature, for floor mounted or wall hung top spud bowls.
 - ▶ **Flush Cycle**
Model WES BPW-1150-1.6/1.1 High Efficiency (DOWN - 1.6 gpf/ 6.0 Lpf, UP - 1.1 gpf/ 4.2 Lpf)
 - ▶ **Specifications**
Dual Flush, Quiet, Exposed, Diaphragm Type, Chrome Plated Closet Flushometer with the following features:
 - Lifting Handle UP initiates reduced flush (1.1 gpf/4.2 Lpf), eliminating liquid and paper waste, saving a ½-gallon of water
 - Pushing Handle DOWN initiates full flush (1.6 gpf/6.0 Lpf), eliminating all waste
 - Reduces water volume by up to 30% when activated UPWARDS
 - PERMEX® Synthetic Rubber Diaphragm with Dual Filtered Fixed Bypass
 - Antimicrobial Coating on Handle Protects Against Germs
 - Distinctive Green ADA Compliant Metal Non-Hold-Open Handle with Triple Seal Handle Packing signifies Water Conserving Device
 - 1" I.P.S. Screwdriver Bak-Chek® Angle Stop with Vandal Resistant Stop Cap
 - Adjustable Tailpiece
 - 1 ½" Offset Flush Tube
 - Vacuum Breaker with Flush Connection
 - Spud Coupling and Spud Flange for 1½" Top Spud
 - Sweat Solder Adapter with Cover Tube and Cast Wall Flange
 - High Copper, Low Zinc Brass Castings for Dezincification Resistance
 - Non-Hold-Open Handle and No External Volume Adjustment to Ensure Water Conservation
 - Flush Accuracy Controlled by CID™ Technology
 - Diaphragm, Handle Packing, Stop Seat and Vacuum Breaker Molded from PERMEX® Rubber Compound for Chloramine Resistance
 - Includes two (2) adhesive backed Metal Wall Plates etched with instructions
- Bedpan Washer Diverter Assembly with the following features:
- Solid One-piece Body Construction
 - Solid Brass Spray Arm
 - Counter Balanced Pivot Assembly
 - Diverter Valve Wall Support

Valve Body, Cover, Tailpiece and Control Stop shall be in conformance with ASTM Alloy Classification for Semi-Red Brass. Valve shall be in compliance to the applicable sections of ASSE 1037. Installation meets ADA height requirements.

- ▶ **Variations**
 - YI** Two Wall Bumpers (for open front seat without cover)
 - YO** Bumper on Angle Stop (for open front seat without cover)
 - O** 1 ½" Offset Flush Tube Standard-Specify if 2" is Required

Made In The
USA



This space for Architect/Engineer approval

Job Name _____ Date _____

Model Specified _____ Quantity _____

Variations Specified _____

Customer/Wholesaler _____

Contractor _____

Architect _____

The information contained in this document is subject to change without notice.

SLOAN®

SLOAN VALVE COMPANY • 10500 SEYMOUR AVE. • FRANKLIN PARK, IL 60131
Ph: 1-800-9-VALVE-9 or 1-847-671-4300 • Fax: 1-800-447-8329 or 1-847-671-4380
www.sloanvalve.com