



Gravity Series

Model

WETS 9003-1.6

Two Piece Floor Mounted Elongated Toilet Tank System

DESCRIPTION

Complete two piece vitreous china, elongated, floor mounted toilet tank system.

Flush Cycle

☐ Model WETS-9003.9013-1.6 gpf/6.0 Lpf (Left Handle)

- ST-9003-A 1.6 gpf Bowl
Code: 2109003
- ST-9013-A 1.6 gpf Left Handle Tank
Code: 2109013

☐ Model WETS-9003.9113-1.6 gpf/6.0 Lpf (Right Handle)

- ST-9003-A 1.6 gpf Bowl
Code: 2109003
- ST-9113-A 1.6 gpf Right Handle Tank
Code: 2109113



Left Handle Model Shown

SPECIFICATIONS

Quiet, two piece toilet tank system with vitreous china floor mounted elongated water closet and compact tank for left or right handle with the following features:

Two Piece Toilet System

- Contemporary design
- Siphon jet flushing action
- Depending on model selected, available with a right or left handle
- Quiet powerful gravity flush
- Polished chrome handle
- Elongated bowl
- 12" rough-in
- 3" valve opening for better flush performance
- Vitreous china
- Integral trap
- Color matched floor caps
- Floor mount bolts included
- 2 1/8" fully glazed trapway
- Water pressure range: 25 to 80 PSI
- Tank and bowl must be ordered as two (2) separate items
- Floor mount bolts included
- Water spot area 7 7/8" x 6 1/4"
- Easy handle actuation
- Water supply not included
- Toilet seat not included
- Compatible with toilet seat models:
Olsonite 10CT, Bemis 1955CT & Church Commercial 295CT
- Toilet tank system is in compliance to the applicable sections of ASME A112.19.2/CSA B45.0/CSA B45.1

FEATURES

Performance

Sloan's toilet tank system incorporates a high performance flapper flush valve to ensure an efficient and optimum flushing performance. 3" valve opening offers better waste removal and powerfully clears the bowl.

Colors and Accessories

Available in the color White with polished chrome left or right trip handle. For additional information refer to our price book.

Functional

The tank valve provides a 1.6 gpf low consumption flush. Durable construction provides non-corrosive dependability. Anti-siphon ballcock allows reliable operation at high or low water pressures. Adjustment screw allows water level adjustment for individual preference.

Economical

Efficient Toilet tank system provides additional savings in water usage. Reduces maintenance and operation costs. Designed for commercial use and also ideal for residential.

Warranty

3 year (limited)

Product Specification

Elongated toilet tank system shall be made of vitreous china. Toilet tank system shall be installed at required height of 29" from floor to top of tank fixture. Toilet tank system shall be floor mounted. Toilet tank system shall include floor mount bolts and caps. Toilet tank system shall be a 1.6 gpf. Toilet tank system shall be Sloan model WETS-9003.9013-1.6 (left handle) or Sloan model WETS-9003.9113-1.6 (right handle).

This space for Architect/Engineer approval

Job Name	Date
Model Specified	Quantity
Variations Specified	
Customer/Wholesaler	
Contractor	
Architect	

The information contained in this document is subject to change without notice.



Sloan Valve Company
 10500 Seymour Avenue
 Franklin Park, IL 60131
 Phone: 1-800-9-VALVE-9 (982-5839)
 or 1-847-671-4300
 Fax: 1-800-447-8329
 or 1-847-671-4380
 www.sloanvalve.com

Copyright © 2013 Sloan Valve Company
WETS-9003 10-13

DESCRIPTION

Complete two piece vitreous china, elongated, floor mounted toilet tank system.

Flush Cycle

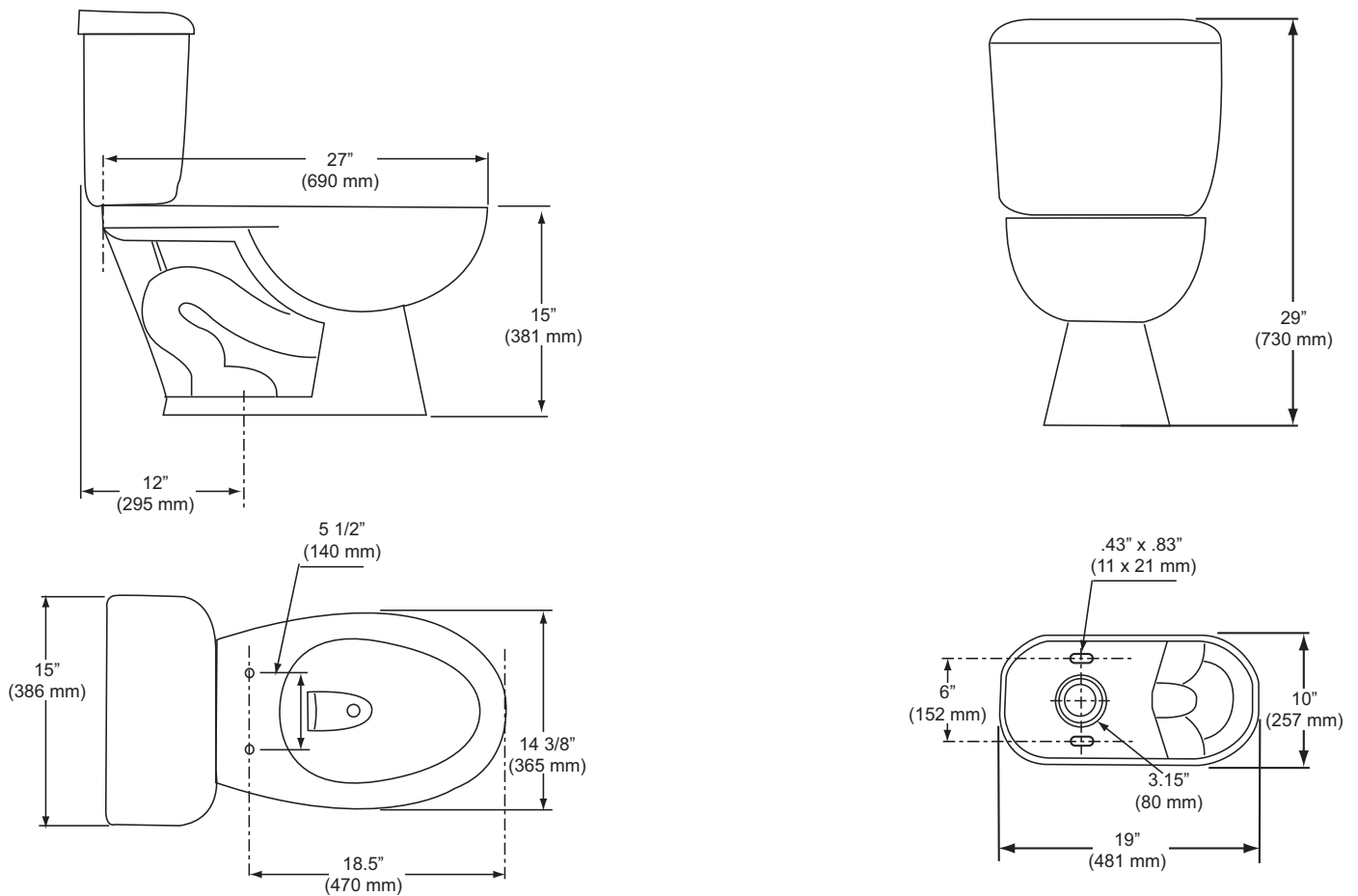
□ Model WETS-9003.9013-1.6 gpf/6.0 Lpf (Left Handle)

- ST-9003-A 1.6 gpf Bowl
- ST-9013-A 1.6 gpf Left Handle Tank

□ Model WETS-9003.9113-1.6 gpf/6.0 Lpf (Right Handle)

- ST-9003-A 1.6 gpf Bowl
- ST-9113-A 1.6 gpf Right Handle Tank

DIMENSIONS/ROUGH-IN



NOTE: All vitreous china dimensions shown in these drawings are nominal. Dimensions can vary within the tolerances established in the governing ASME A112.19.2/CSA B45.1 standard. Please take this into consideration when planning rough-in and plumbing layouts.

SLOAN VALVE COMPANY • 10500 SEYMOUR AVENUE • FRANKLIN PARK, IL 60131

Phone: 1-800-9-VALVE-9 or 1-847-671-4300 • Fax: 1-800-447-8329 or 1-847-671-4380 • www.sloanvalve.com