

Model
WEUS-1002.1302-0.25 HWS
OPTIMA® Systems AC Powered Sensor Activated HEU Flushometer and HEU Urinal

DESCRIPTION

Complete HEU system with exposed, AC powered, sensor activated, Royal® OPTIMA® SMOOTH™ hardwired urinal Flushometer and vitreous china urinal.

Flush Cycle

Model WEUS 1002.1302-0.25 HWS (0.25 gpf/0.9 Lpf)
Code: 10021302



Meets the American Disabilities Guidelines and ANSI A117.1 requirements when installed according to these requirements.

NOTE: Plumbing System Requirements
√ Minimum **Flowing** Pressure: 25 PSI
√ Maximum Fixture Static Pressure: 80 PSI

SPECIFICATIONS

Quiet, exposed, diaphragm type, chrome plated urinal Flushometer and vitreous china urinal with the following features:

Flushometer

- PERMEX® Synthetic Rubber Diaphragm with Dual Filtered Fixed Bypass
- ADA compliant metal oscillating Non-Hold-Open Handle with Triple Seal Handle Packing
- 3/4" I.P.S. Screwdriver Bak-Chek® Angle Stop
- Spud Coupling and Flange for 3/4" Top Spud
- Sweat Solder Adapter w/Cover Tube and Cast Wall Flange w/Set Screw
- High copper, low zinc brass castings for dezincification resistance
- Non-Hold-Open Handle, Fixed Metering Bypass and no external volume adjustment to ensure water conservation
- Flush accuracy controlled by CID® technology
- Diaphragm, Handle Packing, Stop Seat and Vacuum Breaker molded from PERMEX® rubber compound for chloramine resistance
- Valve Body, Cover, Tailpiece and Control Stop shall be in conformance with ASTM Alloy Classification for Semi-Red Brass. Valve shall be in compliance to the applicable sections of ASSE 1037/ ASME A112.19.2/CSA B45.1

OPTIMA® SMOOTH™ Unit

- ADA compliant OPTIMA® SMOOTH™ AC powered infrared sensor for automatic "Hands-free" operation
- Sensor with automatic range adjustment
- Chrome plated metal sensor housing
- Mechanical Manual Override Flush Handle
- "User in View" flashing LED
- 25 to 80 psi operating range
- Sentinel Flush Mode
- Chrome Plated Flange and appropriate Wiring Hardware included

Urinal

- Wall hung vitreous china
- Washdown flushing action
- Vandal resistant strainer assembly included
- 3/4" I.P.S. top spud inlet
- 2" NPT outlet flange
- All mounting hardware included
- Integral flushing rim
- 100 % factory flush tested
- Compliant to the applicable sections of ASME A112.19.2/cSA B45.1
- Carrier not included

FEATURES

ADA Compliant

Automatic

Sloan SMOOTH™ equipped Flushometers provide the ultimate in sanitary protection and automatic operation. The Flushometer operates by means of an AC powered infrared sensor. True mechanical manual over-ride button enables the Flushometer to work in the event of a power failure. State-of-the-art technology enables activation of a manual override without "double flushing" occurring as the user departs (locks out sensor for approximately 10 seconds).

Hygienic

The Royal® OPTIMA® SMOOTH™ Flushometer System is the next advancement in hygiene. User makes no physical contact with the Flushometer surface except to initiate the Mechanical Manual Override Flush Handle when required. Helps control the spread of infectious diseases.

Economical

Automatic operation provides water usage savings over other flushing devices. Reduces maintenance and operation costs.

Warranty

3 year (limited)



This space for Architect/Engineer approval	
Job Name	Date
Model Specified	Quantity
Variations Specified	
Customer/Wholesaler	
Contractor	
Architect	

SLOAN

Sloan Valve Company
10500 Seymour Avenue
Franklin Park, IL 60131
Phone: 1-800-9-VALVE-9 (982-5839)
or 1-847-671-4300
Fax: 1-800-447-8329 or 1-847-671-4380
www.sloanvalve.com

Copyright © 2013 Sloan Valve Company
WEUS-1002.1302 11-13

Model
WEUS-1002.1302-0.25 HWS
OPTIMA® Systems AC Powered Sensor Activated HEU Flushometer and HEU Urinal

DESCRIPTION

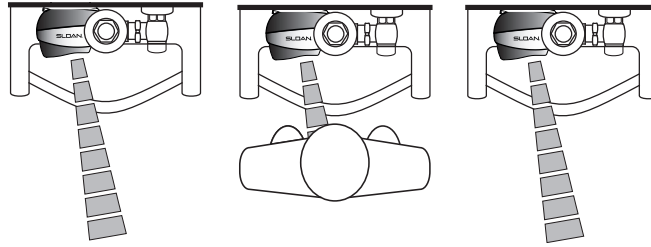
Complete HEU system with exposed, AC powered, sensor activated, Royal® OPTIMA® SMOOTH™ hardwired urinal Flushometer and vitreous china urinal.

Flush Cycle
Model WEUS 1002.1302-0.25 HWS (0.25 gpf/0.9 Lpf)

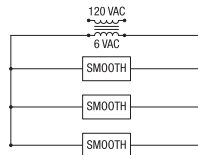
ELECTRICAL SPECIFICATIONS

- **Control Circuit**
6 VDC input, 8 second arming delay, 72 hour Sentinel Flush
- **OPTIMA® Sensor Range**
Normal Range (recommended for Water Closets) with 2 – 3 second flush delay:
26" – 32" (660 mm – 813 mm)
Normal Range (recommended for Water Closets) with 1 – 2 second flush delay:
26" – 32" (660 mm – 813 mm)
Reduced Range (recommended for Urinals) with 1 – 2 second flush delay:
20" – 26" (508 mm – 660 mm)
- **OPTIMA® Sensor Type**
Active infrared with automatic adjustment
- **Valve Operating Pressure (Flowing)**
25 – 80 psi (172-552 kPa)
- **Transformer**
EL-386 (Plug-in)
120 VAC, 50/60 Hz Primary
6 VAC, 50/60 Hz Secondary
Class II, 3 VA.
EL-451 (Box Mount)
120 VAC, 50/60 Hz Primary
6 VAC, 50/60 Hz Secondary
Class II, 25 VA.
- **Transformer Options**
EL-386 (120 VAC/6 VAC 50/60 Hz (3 VA) – Plug-in (will operate one unit)
EL-451 (120 VAC/6 VAC 50/60 Hz (25 VA) – Box Mount (will operate up to 8 units)

OPERATION

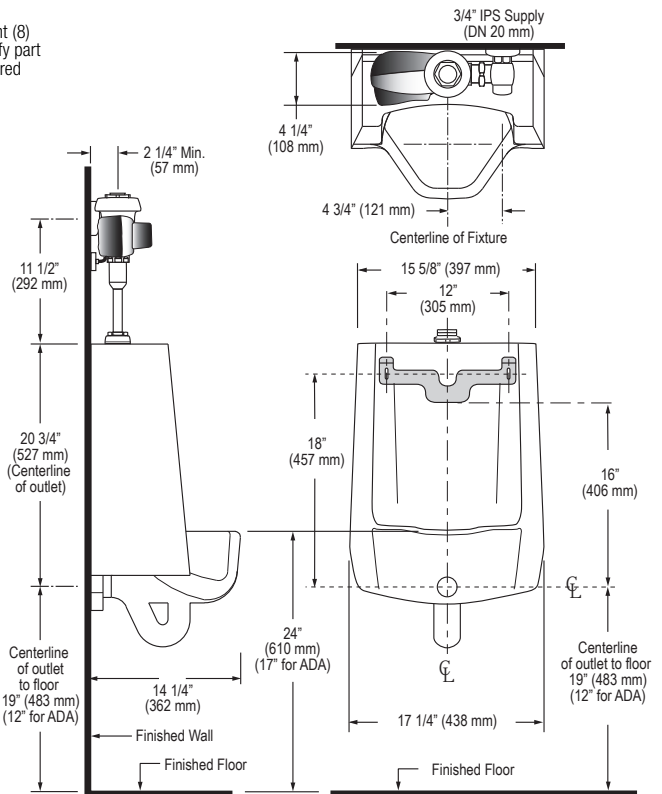
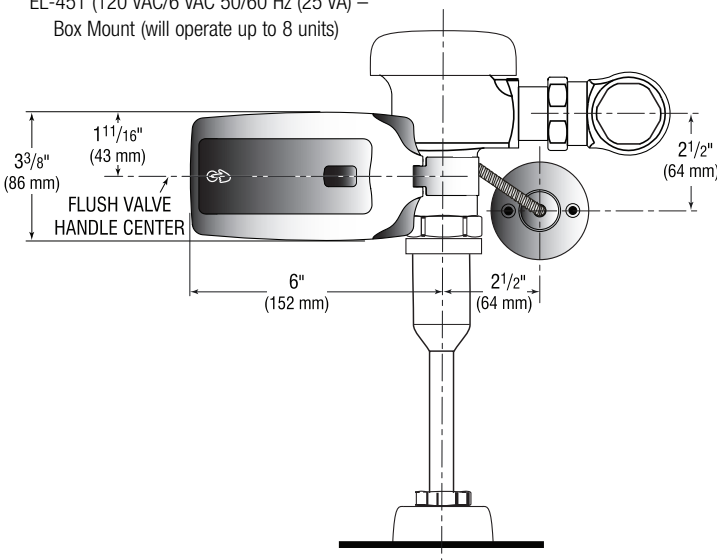


1. A continuous, invisible light beam is emitted from the SMOOTH™ unit's Infrared Sensor.
2. When the user enters the sensor's effective range, the Red LED light in the sensor window flashes for eight seconds. After eight seconds of sensing the user, the light will stop flashing and the unit waits for the user to step away before initiating a flush cycle.
3. When the user steps away, the unit initiates a flush cycle. The unit then automatically resets and is ready for the next user.



One EL-386 Transformer serves one (1) Optima® closet/urinal Flushometer.

One EL-451 Transformer serves up to eight (8) Optima® closet/urinal Flushometers. Specify part number and number of transformers required accordingly.



SLOAN VALVE COMPANY • 10500 SEYMOUR AVENUE • FRANKLIN PARK, IL 60131

Phone: 1-800-9-VALVE-9 or 1-847-671-4300 • Fax: 1-800-447-8329 or 1-847-671-4380 • www.sloanvalve.com