

Model
WETS 2022.1101-1.6/1.1 ECOS DF
Electronic Dual Flush HET Flushometer and ADA Compliant HET Water Closet

DESCRIPTION

Complete HET system with exposed, sensor activated, Sloan ECOS® electronic dual-flush Flushometer and ADA compliant HET dual flush vitreous china fixture.

Flush Cycle

Model WETS 2022.1101-1.6/1.1 ECOS
(Full Flush 1.6 gpf/6.0 Lpf,
Reduced Flush 1.1 gpf/4.2 Lpf)



Meets the American Disabilities Guidelines and ANSI A117.1 requirements when installed according to these requirements.



NOTE:

- Plumbing System Requirements
- Minimum **Flowing** Pressure: 25 PSI
 - Minimum Flow Rate: 18 GPM

SPECIFICATIONS

Quiet, exposed, diaphragm type, chrome plated HET Flushometer for either left or right hand supply and ADA compliant HET dual flush vitreous china fixture with the following features:

Flushometer

- PERMEX® Synthetic Rubber Diaphragm with Dual Filtered Fixed Bypass
- If the user is present for less than one minute and leaves the sensing zone or chooses the small override button, a reduced flush initiates (1.1 gpf/4.2 Lpf) eliminating liquid and paper waste and saving water
- If the user is present for greater than one minute and leaves the zone or chooses the large override button, the full flush initiates (1.6 gpf/6.0 Lpf) eliminating solid waste and paper
- ADA Compliant Sloan ECOS® Battery Powered Infrared Sensor for automatic “No Hands” operation
- Infrared Sensor with Multiple-focused, Lobular Sensing Fields for high and low target detection
- Courtesy Flush™ Override Button
- Four (4) Size AA Batteries factory installed
- Initial Set-up Range Indicator Light (first 10 minutes)
- Spud Coupling and Flange for 1 1/2" Top Spud
- Sweat Solder Adapter w/Cover Tube and Cast Wall Flange w/Set Screw
- High copper, low zinc brass castings for dezincification resistance
- Fixed Metering Bypass and no external volume adjustment to ensure water conservation
- Flush Accuracy Controlled by CID® Technology
- Diaphragm, Stop Seat and Vacuum Breaker to be molded from PERMEX® rubber compound for chloramine resistance
- Valve Body, Cover, Tailpiece and Control Stop shall be in conformance with ASTM Alloy Classification for Semi-Red Brass. Valve shall be in compliance to the applicable sections of ASSE 1037.

Fixture

- ADA compliant
 - Floor mounted vitreous china
 - 1 1/2" I.P.S. top spud inlet
 - 2 1/8" trapway diameter
 - Integral flushing rim
 - Elongated bowl with siphon jet flush
 - Closet bolts and caps included
 - 100 % factory flush tested
 - Toilet seat not included
- Compatible with toilet seat models:
Olsonite 10CT, Bemis 1955CT &
Church Commercial 295CT

SPECIFICATIONS (CONTINUED)

- Water closet shall be in compliance to the applicable sections of ASME A112.19.2/CSA B45.1
- Compliant with Buy American Act when purchased as a combination

FEATURES

Automatic

The Flushometer operates by means of an infrared sensor that adapts to its surroundings. Once the user enters the sensor’s effective range and then steps away, the Flushometer Solenoid initiates the flushing cycle to flush the fixture.

Manual

Sloan ECOS® Electronic Dual Flush Flushometers include a split-button design for manual use. The reduced flush (1.1 gpf/4.2 Lpf) is controlled by the small button and the full flush is controlled by the large button. Instructional graphics show a reduced flush is for liquid waste and a full flush is for solid waste.

Hygienic

User makes no physical contact with the Flushometer surface. Helps control the spread of infectious diseases. 72-hour Sentinel Flush keeps fixture fresh during periods of nonuse.

Economical

Automatic operation provides water usage savings over other flushing devices. Reduces maintenance and operation costs.

Practical

Solid state electronic circuitry assures years of dependable, trouble-free operation. The operational components of the Flushometer are identical to a handle activated Royal® Flushometer, proven by more than 100 years of experience.

Warranty

3 year (limited)

Sloan ECOS® Flushometer U.S. Patent No. D598,976



Sloan Valve Company is buying renewable energy certificates to meet 100% of the company’s purchased electricity use at its Franklin Park, Illinois facility.



This space for Architect/Engineer approval	
Job Name _____	Date _____
Model Specified _____	Quantity _____
Variations Specified _____	
Customer/Wholesaler _____	
Contractor _____	
Architect _____	

SLOAN

Sloan Valve Company
10500 Seymour Avenue
Franklin Park, IL 60131
Phone: 1-800-9-VALVE-9 (982-5839)
or 1-847-671-4300
Fax: 1-800-447-8329 or 1-847-671-4380
www.sloanvalve.com

Copyright © 2010 Sloan Valve Company
Rev. 0b (10/10)

Model

WETS 2022.1101-1.6/1.1 ECOS DF

Electronic Dual Flush HET Flushometer and ADA Compliant HET Water Closet

DESCRIPTION

Complete HET system with exposed, sensor activated, Sloan ECOS® electronic dual-flush Flushometer and ADA compliant HET dual flush vitreous china fixture.

Flush Cycle

Model WETS 2022.1101-1.6/1.1 ECOS
(Full Flush 1.6 gpf/6.0 Lpf,
Reduced Flush 1.1 gpf/4.2 Lpf)

ELECTRICAL SPECIFICATIONS

- **Control Circuit**
Solid State
6 VDC Input
8 Second Arming Delay
3 Second Flush Delay
- **Sloan ECOS® Dual Flush Sensor Type**
Active Infrared
- **Sloan ECOS® Dual Flush Sensor Range**
Nominal 22" - 42" (559 mm - 1067 mm),
Adjustable ± 8" (203 mm)
- **Battery Type**
(4) AA Alkaline
- **Battery Life**
3 Years @ 4,000 Flushes/Month
- **Indicator Lights**
Range Adjustment/Low Battery
- **Operating Pressure**
15 - 100 psi (104 - 689 kPa)
- **Sentinel Flush**
Once Every 72 Hours After the Last Flush

OPERATION



1. A continuous, invisible light beam is emitted from the Sloan ECOS® Dual Flush Sensor.

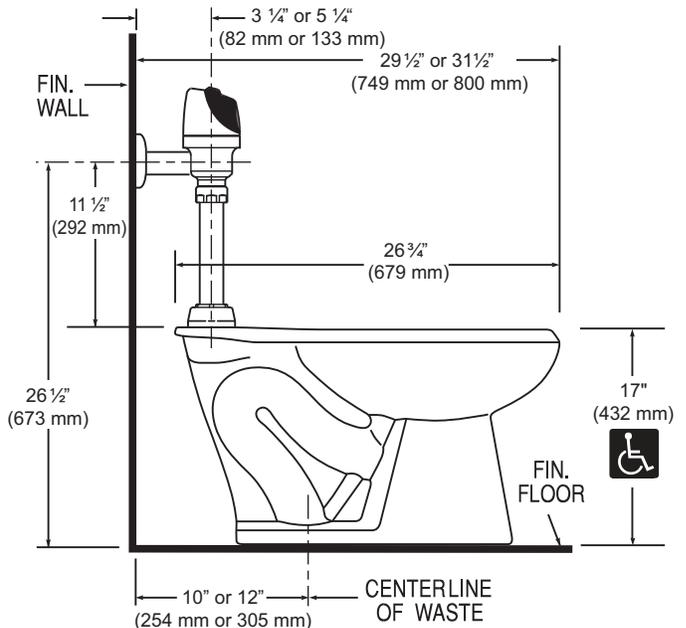
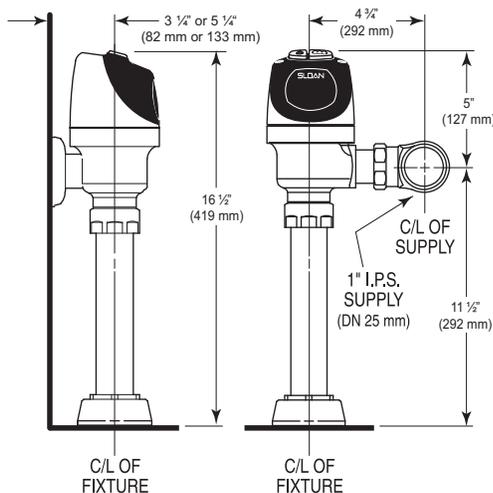


2. As the user enters the beam's effective range, 22 to 42 inches (559 mm to 1067 mm), the beam is reflected into the Scanner Window to activate the Output Circuit. Once activated, the Output Circuit continues in a "hold" mode for as long as the user remains within the effective range of the sensor. If the user stays longer than 60 seconds, a full flush will automatically initiate when the user leaves.



3. Once a user is detected, if the user leaves in 60 seconds or less, a reduced flush will automatically initiate. The circuit automatically resets and is ready for the next user.

DIMENSIONS/ROUGH-IN



SLOAN VALVE COMPANY • 10500 SEYMOUR AVENUE • FRANKLIN PARK, IL 60131

Phone: 1-800-9-VALVE-9 or 1-847-671-4300 • Fax: 1-800-447-8329 or 1-847-671-4380 • www.sloanvalve.com