

CODE NUMBER

20231201

DESCRIPTION

ST-2029 Water Closet and SOLIS 8111 Flushometer.

COMPONENTS

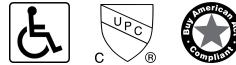
- Flushometer: Code 3370001
- Water Closet: Code 2102029

DETAILS

- Flush Volume: 1.6 gpf (6.0 Lpf)
- Nominal Dimensions: 26 ¾" x 14" x 17" (679 x 356 x 432mm)

FIXTURE FEATURES

- White Vitreous China
- Elongated bowl
- Floor mounted, floor outlet
- Siphon jet flushing action achieves 1000g Map score when used with any Sloan flushometer
- Water spot area: 10 ⅜" x 9 ⅜" (26 cm x 24 cm)
- 1 ½" I.P.S. top spud inlet
- 2 ⅜" fully glazed trapway
- Closet bolts and caps included
- Toilet seat not included
- Static load rating of 1000 lbs. (See Notes)

**COMPLIANCES & CERTIFICATIONS**

(ADA Compliant, cUPC Certified, BAA Compliant)

DOWNLOADS

- [SS/ST/SU/WETS/WEUS Fixtures Repair and Maintenance Guide](#)
- [Additional Downloads](#)

NOTES

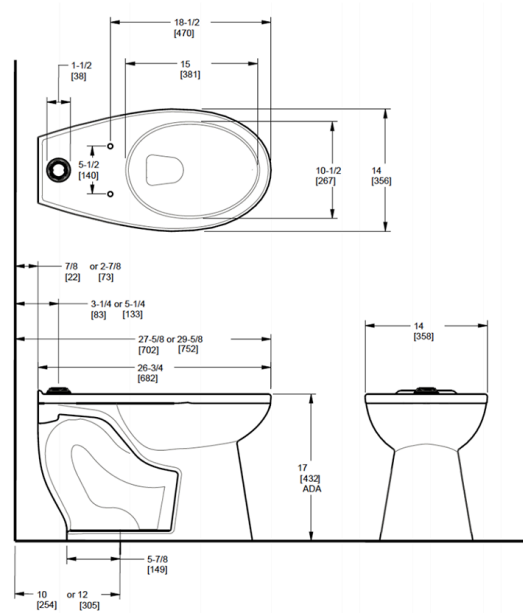
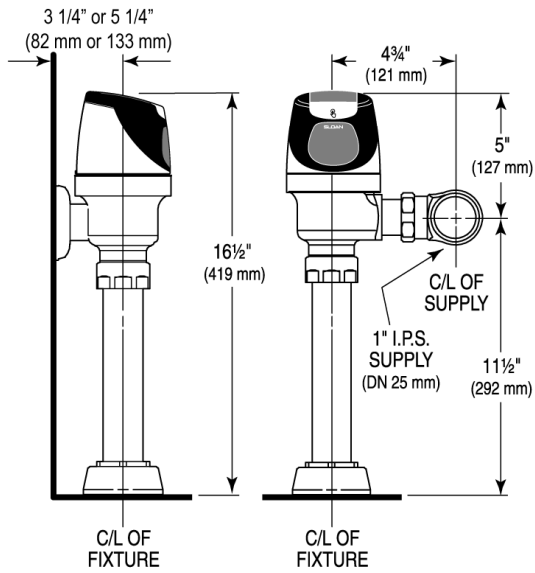
All information contained within this document subject to change without notice.

Static load tested according to the procedure outlined in Section 6.7 of ASME A112.19.2. Not recommended for bariatric use.

Sloan 10500 Seymour Ave, Franklin Park, IL 60131

Phone: 800.982.5839 • Fax: 800.447.8329 • sloan.com

ROUGH-IN



Sloan 10500 Seymour Ave, Franklin Park, IL 60131
Phone: 800.982.5839 • Fax: 800.447.8329 • sloan.com