



**DESCRIPTION**

Complete HET system with exposed, sensor activated, Royal® OPTIMA® True Mechanical Override closet Flushometer and vitreous china ADA compliant floor mount water fixture.

**Flush Cycle**

Model WETS 2020.1304-1.28-ES-S TMO (1.28 gpf/4.8 Lpf)

Code: 20201304



Meets the American Disabilities Guidelines and ANSI A117.1 requirements when installed according to these requirements.

**NOTE:**

Plumbing System Requirements

- Minimum **Flowing** Pressure: 25 PSI
- Minimum Flow Rate: 18 GPM
- Maximum Fixture Static Pressure: 80 PSI

**SPECIFICATIONS**

Quiet, exposed, sensor activated diaphragm type, chrome plated closet Flushometer for either left or right hand supply and vitreous china ADA compliant floor mount water closet with the following features:

**Flushometer and OPTIMA® ES-S TMO Unit**

- PERMEX® Synthetic Rubber Diaphragm with Dual Filtered Fixed Bypass
- OPTIMA® EL-1500-L Self-Adaptive Infrared Sensor with Indicator Light
- "Walk By" Delay of Eight (8) Seconds Prevents Unintentional Flushes
- User friendly three (3) second Flush Delay
- Courtesy Flush® Non-Hold-Open True Mechanical Override Button
- Non-Hold-Open Integral Solenoid Operator
- Chrome Plated Wall Cover Plate and Die Cast Wall Flange (for 2-gang Electrical Box) with Vandal Resistant Screws
- 1" I.P.S. Screwdriver Bak-Chek® Angle Stop
- Adjustable Tailpiece
- High Back Pressure Vacuum Breaker Flush Connection with One-Piece Bottom Hex Coupling Nut, Spud Coupling and Flange for 1½" Top Spud
- Sweat Solder Adapter with Cover Tube and Cast Wall Flange with Set Screw
- High Copper, Low Zinc Brass Castings for Dezincification Resistance
- Fixed Metering Bypass and No External Volume Adjustment to Ensure Water Conservation
- Flush Accuracy Controlled by CID™ Technology
- Diaphragm, Stop Seat and Vacuum Breaker to be molded from PERMEX® Rubber Compound for Chloramine Resistance
- Valve Body, Cover, Tailpiece and Control Stop shall be in conformance with ASTM Alloy Classification for Semi-Red Brass. Valve shall be in compliance with the applicable sections of ASSE 1037.

**Fixture**

- Floor mounted ADA compliant vitreous china elongated bowl
- 1½" I.P.S. top spud inlet
- 2½" fully glazed trapway diameter
- Integral flushing rim
- Water spot area 9½" x 8¼"
- Fixture bolts and caps included
- Seat not included
- Recommended Seats:  
Bemis - 1955CT/1955SSCT & 2155CT/2155SSCT  
Church - 295CT/295SSCT & 2155CT/2155SSCT
- Water closet shall be in compliance to the applicable sections of ASME A112.19.2/CSA B45.1
- Compliant with the Buy American Act when purchased as a combination

**FEATURES**

**Automatic**

Sloan OPTIMA® equipped Flushometers provide the ultimate in sanitary protection and automatic operation. There are no handles to trip or buttons to push. The Flushometer operates by means of an infrared sensor that adapts to its surroundings. Once the user enters the sensor's effective range and then steps away, the Flushometer Solenoid initiates the flushing cycle to flush the fixture.

**Hygienic**

User makes no physical contact with the Flushometer surface. Helps control the spread of infectious diseases. 24-hour Sentinel Flush keeps fixture fresh during periods of nonuse.

**Economical**

Automatic operation provides water usage savings over other flushing devices. Reduces maintenance and operation costs.

**Practical**

Solid state electronic circuitry assures years of dependable, trouble-free operation. The operational components of the Flushometer are identical to a handle operated Royal® Flushometer, proven by more than 100 years of experience.

**Warranty**

3 year (limited)



**SLOAN**

Sloan Valve Company  
10500 Seymour Avenue  
Franklin Park, IL 60131  
Phone: 1-800-9-VALVE-9 (982-5839)  
or 1-847-671-4300  
Fax: 1-800-447-8329 or 1-847-671-4380  
www.sloanvalve.com

Copyright © 2014 Sloan Valve Company  
02-14

**This space for Architect/Engineer approval**

Job Name	Date
Model Specified	Quantity
Variations Specified	
Customer/Wholesaler	
Contractor	
Architect	

**DESCRIPTION**

Complete HET system with exposed, sensor activated, Royal® OPTIMA® True Mechanical Override closet Flushometer and vitreous china ADA compliant floor mount water fixture.

**Flush Cycle**

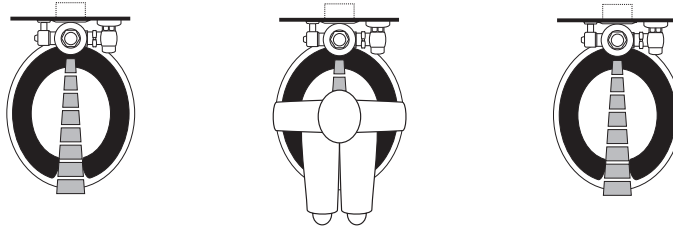
Model WETS 2020.1304-1.28-ES-S TMO(1.28 gpf/4.8 Lpf)

Code: 20201304

**ELECTRICAL SPECIFICATIONS**

- **Control Circuit**  
Solid State  
24 VAC Input  
24 VAC Output  
8 Second Arming Delay  
24 Hour Sentinel Flush
- **OPTIMA® Sensor Range**  
Nominal 15" – 30" (381 mm – 762 mm)  
Self-adaptive Window ± 8"(203 mm)
- **Solenoid Operator**  
24 VAC, 50/60 Hz
- **Valve Operating Pressure (Flowing)**  
15 – 100 psi (104 – 689 kPa)
- **Transformer Accessories**  
EL-154 Transformer (120 VAC/24 VAC 50 VA)  
EL-342 Transformer (240 VAC/24 VAC 50 VA)

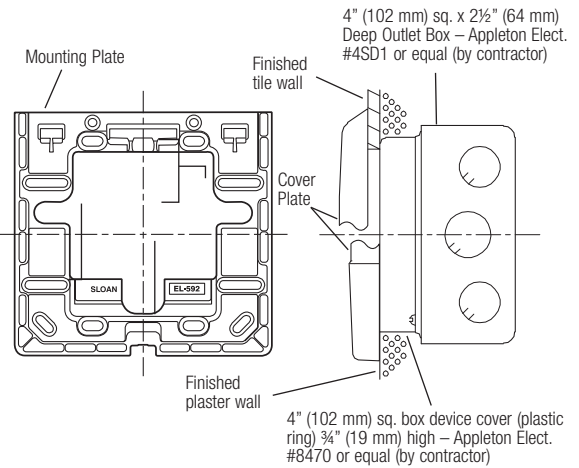
**OPERATION**



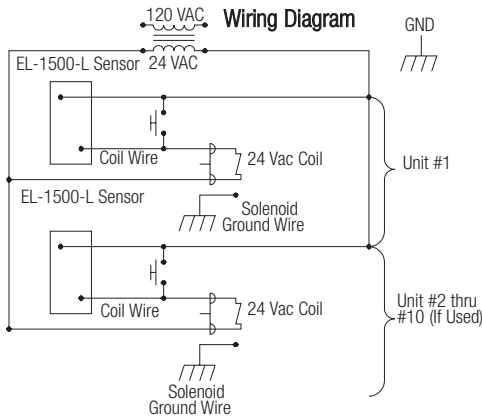
1. A continuous, invisible light beam is emitted from the OPTIMA® Sensor.
2. As the user enters the beam's effective range (15" to 30") the beam is reflected into the OPTIMA® Scanner Window and transformed into a low voltage electrical circuit. Once activated, the Output Circuit continues in a "hold" mode for as long as the user remains within the effective range of the sensor.
3. When the user steps away from the OPTIMA® Sensor, the circuit immediately initiates an electrical "one-time" signal that operates the Solenoid. This initiates the flushing cycle to flush the fixture. The Circuit then automatically resets and is ready for the next user.

**Electrical Box Installation**

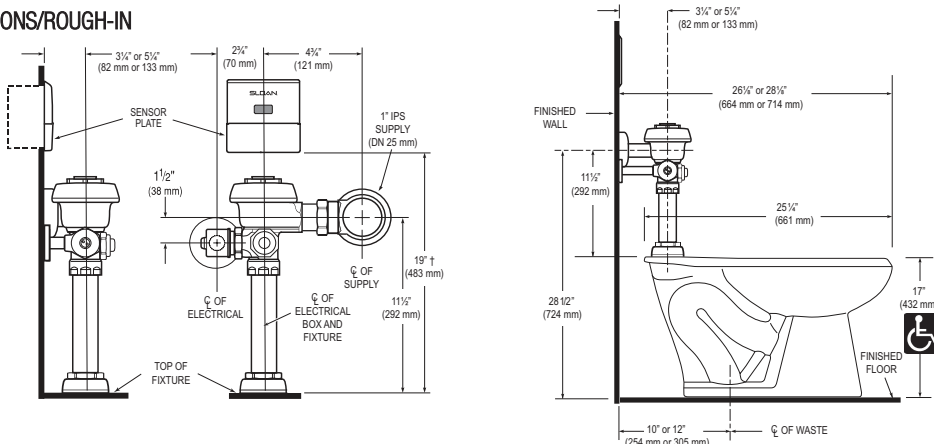
**Sensor location and positioning is critical.** Failure to properly position the electrical boxes to the plumbing rough-in will result in improper installation and impair product performance. All tradesmen (plumbers, electricians, tile setters, etc.) involved with the installation of this product must coordinate their work to assure proper product installation. Installation template furnished with Flushometer.



**Note:** install plaster ring so that screw holes are on the left and right side of box. (View with cover removed)  
To ensure a perfect rough-in, sloan recommends the use of the EL-485-A Flushometer electrical box positioning and support kit. Specify and order the EL-485-A kit separately. Consult factory for installation details.



**DIMENSIONS/ROUGH-IN**



**NOTE:** All vitreous china dimensions shown in these drawings are nominal. Dimensions can vary within the tolerances established in the governing ASME A112.19.2/CSA B45.1 standard. Please take this into consideration when planning rough-in and plumbing layouts.

†Position of Sensor Box can be raised or lowered 1" (25 mm) if in conflict with Handicap Grab Bars.

**SLOAN • 10500 SEYMOUR AVENUE • FRANKLIN PARK, IL 60131**

Phone: 1-800-9-VALVE-9 (982-5839) or 1-847-671-4300 • Fax: 1-800-447-8329 or 1-847-671-4380 • www.sloanvalve.com  
Copyright © 2014 Sloan Valve Company