

# Regal® BPW 9000 XL Model Flushometer

## Models Available

- Regal BPW 9000 XL
- Regal BPW 9000 XL-YI Two Wall Bumpers (for open front seat without cover)

## Description

Slimline® Bedpan Washer and Regal® XL Water Closet Hydraulic Flushometer, for floor mounted or wall hung top spud bowls.

## Flush Cycle

- Model BPW 9000-1.6 Low Consumption (1.6 gpf/6.0 Lpf)

## Specifications

Quiet, Exposed, Diaphragm Type, Chrome Plated Closet Flushometer with the following features:

- 1" I.P.S. Screwdriver Bak-Chek® Angle Stop with Control Stop Plug
- Sweat Solder Adapter with Cover Tube with Cast Wall Flange with Set Screw
- Adjustable Tailpiece and Vacuum Breaker Flush Connection
- ADA Compliant Non-Hold-Open feature type Actuator (**specify Actuator type listed below**)
- Spud Coupling and Spud Flange for 1½" Top Spud
- High Copper, Low Zinc Brass Castings for Dezincification Resistance
- Low Consumption flush accuracy controlled by Para-Flo™ Technology
- Handle Packing, Stop Seat and Vacuum Breaker to be Molded from PERMEX® Rubber Compound for Chloramine Resistance

Bedpan Washer Diverter Assembly with the following features:

- Solid One-piece Body Construction
- Solid Brass Spray Arm
- Counter Balanced Pivot Assembly
- Diverter Valve Wall Support

Valve Body, Cover, Tailpiece and Control Stop shall be in conformance with ASTM Alloy Classification for Semi-Red Brass. Valve shall be in compliance to the applicable sections of ASSE 1037.

## Actuator Types: (please check one)

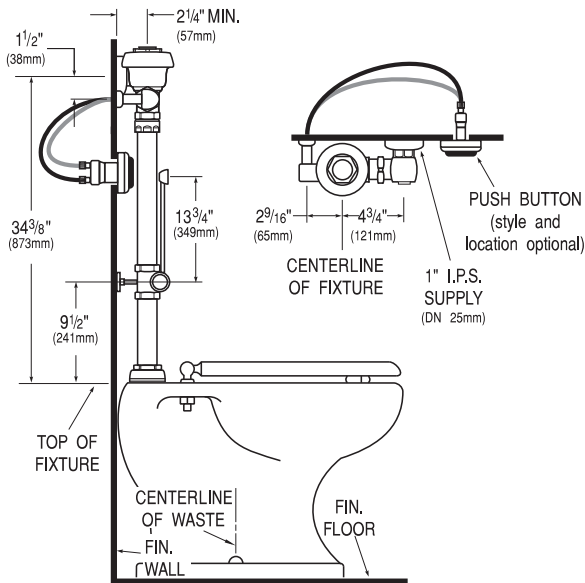
- FW** Standard Fixture Wall Actuator (HY-33-A)
- MP** Metal Partition Actuator (HY-49-A)
- SW** Side Wall Mounted Actuator (HY-72-A)
- MBFW** Metal Button Fixture Wall Actuator (HY-100-A)

## Accessories

See Accessories Section of the Sloan catalog for available accessories

## Fixtures

Consult Sloan for Sloan brand matching fixture options.



Listed by I.A.P.M.O.



Sloan Valve Company is buying renewable energy certificates to meet 100% of the company's purchased electricity use at its Franklin Park, Illinois facility.

This space for Architect/Engineer approval

Job Name \_\_\_\_\_ Date \_\_\_\_\_

Model Specified \_\_\_\_\_ Quantity \_\_\_\_\_

Variations Specified \_\_\_\_\_

Customer/Wholesaler \_\_\_\_\_

Contractor \_\_\_\_\_

Architect \_\_\_\_\_

The information contained in this document is subject to change without notice.



SLOAN VALVE COMPANY • 10500 SEYMOUR AVE. • FRANKLIN PARK, IL 60131  
 Phone: 1-800-982-5839 or 1-847-671-4300 • Fax: 1-800-447-8329 or 1-847-671-4380  
 www.sloanvalve.com

