

DESCRIPTION

Complete vitreous china rear spud water closet.

Flush Cycle

Model ST-2013-1.6 (1.6 gpf/6.0 Lpf)



SPECIFICATIONS

Water Closet

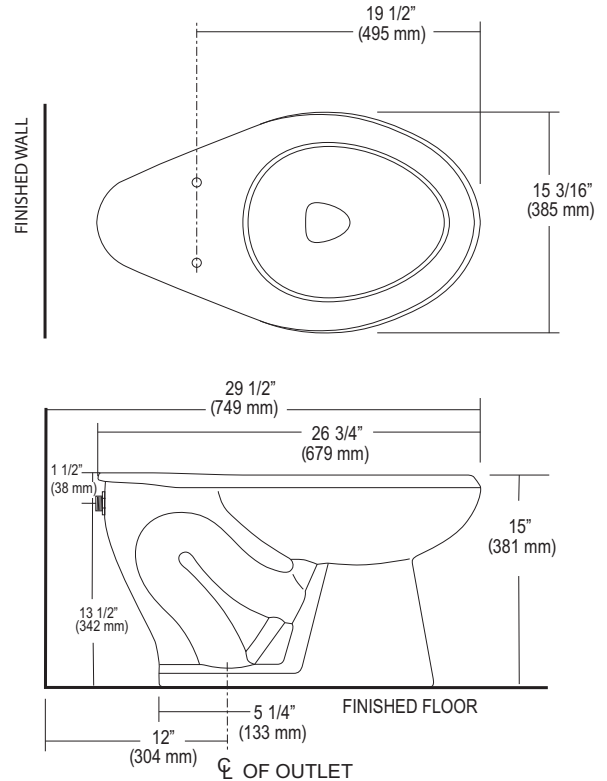
- Vitreous china
- Floor mounted
- Siphon jet flushing action
- 1 1/2" I.P.S. rear spud inlet
- 2 1/8" trapway diameter
- Fully glazed trapway
- Toilet seat not included
- Integral flushing rim
- Elongated bowl
- Water spot area 9 1/2" x 7 3/8"
- Closet bolts and caps included
- Water closet compliant to the applicable sections of ASME A112.19.2/CSA B45.1

Colors/Finishes

- White

Recommended Accessories

- Compatible with toilet seat models: Olsonite 10CT, Bemis 1955 CT & Church Commercial 295CT



Product Specification
 Elongated water closet shall be made of vitreous china with a 1 1/2" rear spud. Water Closet shall use 1.6 gpf/6.0 Lpf. Water Closet shall be floor mounted. Water Closet shall be Sloan Model ST-2013-1.6.

NOTE: Plumbing System Requirements

√ Minimum **Flowing** Pressure: 25 PSI

√ Minimum Flow Rate: 18 GPM

This space for Architect/Engineer approval	
Job Name	Date
Model Specified	Quantity
Variations Specified	
Customer/Wholesaler	
Contractor	
Architect	



Listed by I.A.P.M.O.



SLOAN®

Sloan Valve Company
 10500 Seymour Avenue,
 Franklin Park, IL 60131
 Phone: 1-800-9-VALVE-9 (982-5839)
 or 1-847-671-4300
 Fax: 1-800-447-8329 or 1-847-671-4380
www.sloanvalve.com

Copyright © 2011 Sloan Valve Company
 01/11 Rev. 0b