

Safety Pilot System – For Vented Gas Logs

Models:

**AFLMF & AFLMF-R**

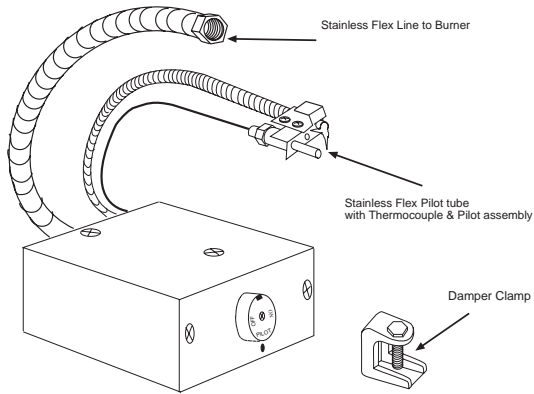
**Manual Safety Pilot (Natural/Propane Gas)**

**(The RCAF-LMF Remote Control can be installed on the AFLMF any time)**

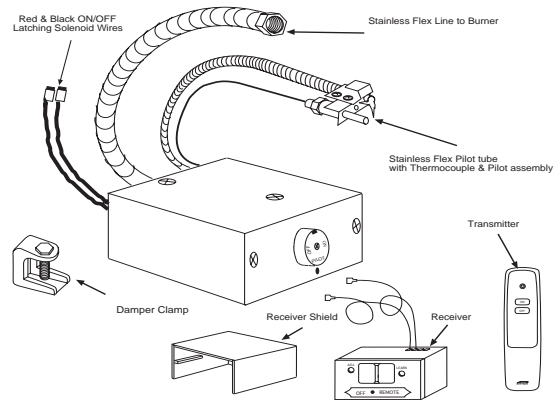
**(AFLPK-18 or AFLPK-24 Kits are available for Propane installations)**

**IF YOU CANNOT READ OR UNDERSTAND THESE INSTALLATION INSTRUCTIONS, DO NOT ATTEMPT TO INSTALL OR OPERATE**

## INSTALLATION AND OPERATING INSTRUCTION



**AFLMF**



**AFLMF-R**

**Notice:** Please leave these instructions for the consumer, Retain for future reference

**Warning:** Improper installation, adjustment, alteration, service or maintenance can cause injury or property damage. Refer to this manual. For assistance or additional information consult a qualified installer, service agency or the gas supplier

**Important:** Read these instructions carefully before starting installation of your log set.

**FOR YOUR SAFETY**  
**WHAT TO DO IF YOU SMELL GAS**

- Do not try to light the appliance.
- Do not touch any electrical switch.
- Do not use any phone in your building.
- Immediately call you gas supplier from a neighbor's phone. Follow the gas suppliers instructions.
- If you cannot reach your gas supplier, call the fire department.

**FOR YOUR SAFETY**  
 Do not store or use gasoline or other flammable vapors and liquids in the vicinity of this or any other appliance.

**Be sure flue damper and glass doors are fully open when operating any vented gas log set.**

**Young children should be carefully supervised when they are in the same room as the appliance.**

## Installation Precautions:

These instructions must be used as a supplement to the instructions supplied with the gas log set. Follow the gas log instructions supplied by the manufacturers on the placement of the burner pan, log basket grate, burner media (sand or vermiculite), ember material and the logs placement. Please follow these instructions on the connection of the inlet line to the gas valve and then to the burner pan assembly. If this fireplace installation has glass doors, **only operate the fireplace with glass doors in the fully open position.**

This safety pilot system contains a valve, pilot assembly, and connector that are certified by CSA.

## Installation Instructions:

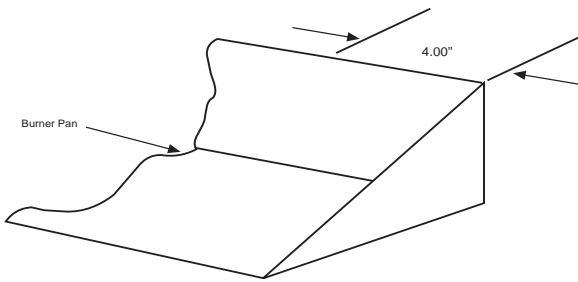
### This section is for installing valve kit with pre-installed log set:

1. Make sure all gas flow is completely turned off to the gas log set. Make sure you have a certified and approved shut-off within six feet of the fireplace, or whatever the local inspection authority requires.
2. Remove all logs and basket grate and set aside.
3. Disconnect the 3/8" Flared fitting at the existing manual valve from the inlet gas supply.
4. Remove existing manual valve and fittings on the burner pan.
5. Locate a position on the back of the burner pan about 4" from the right or left side of the burner pan. **Note: (Figure #1 & #2)**
6. Mount pilot assembly to burner pan as shown in **(Figure #3)**. Note this pilot bracket clips on the burner pan and holds the pilot at a 45-degree position onto the pan with no screws required. Note: A screw can be added to secure the pilot assembly if needed. Bend 1/4" stainless pilot tubing from pilot assembly until the bottom of the pilot bracket is resting against the pan. (This will hold the pilot at the 45 degree position) then connect pilot fitting to valve. **(Use caution when bending pilot tubing not to kink the tubing or locate the tubing in or over the burner pan).**
7. Locate the **AFLMF or AFLMF-R** valve kit in the right or left front corner of the firebox as far forward as possible **(See Figure #4)**
8. Bend inlet gas supply line and connect the 3/8" flare fitting to **AFLMF or AFLMF-R** 3/8" inlet connector (Fitting with printed label and clear cap) **(Use caution not to kink the line when bending).**
9. Bend 12" stainless flex line and connect to valve outlet then connect other end to 3/8" flare fitting on burner pan **(Caution do not let gas inlet line to the AFLMF or AFLMF-R or gas outlet line from the AFLMF or AFLMF-R be placed in or over the burner pan).**
10. Turn on gas supply and check all connections for leaks using soapy water solution.
11. Follow valve pilot lighting instructions. After pilot is lit, check pilot fittings for leaks.
13. Reinstall basket grate and logs.
14. Install Damper stop (supplied with this valve kit) (This allows damper to remain slightly open to allow the pilot to vent)  
**NOTE: On all PROPANE installations it is recommended that an inlet pressure regulator be used.**

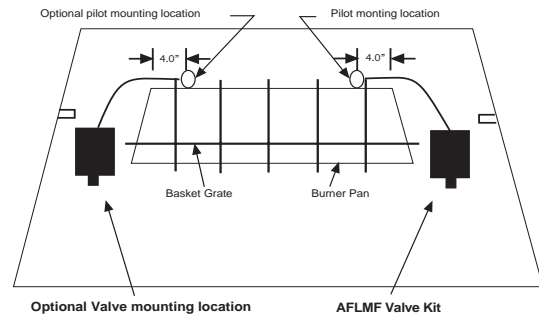
### This section is for installing valve kit with new log set:

1. Make sure all gas flow is completely turned off to the fireplace. Make sure you have a certified and approved shut-off within six feet of the fireplace, or what ever the local inspection authority requires.
2. Follow the instructions supplied with the log set to locate the burner pan. Using the fittings, orifice and gas supply line that came with the log set, connect the line to the inlet gas supply.  
Locate a position on the back of the burner pan about 4" from the right or left side of the burner pan. Note: (Figure #1 & #2)
3. Mount pilot assembly to burner pan as shown in **(Figure #3)**. Note this pilot bracket clips on the burner pan and holds the pilot at a 45-degree position onto the pan and no screws required. Note: A screw can be added to secure the pilot assembly if needed. Bend 1/4" stainless pilot tubing from pilot assembly until the bottom of the pilot bracket is resting against the pan. (This will hold the pilot at the 45 degree position) then connect pilot fitting to valve. **(Use caution when bending pilot tubing not to kink the tubing or locate the tubing in or over the burner pan).**
5. Locate the **AFLMF or AFLMF-R** valve kit in the right or left front corner of the fire box as far forward as possible **(See Figure #4)**
6. Bend inlet gas supply line and connect the 3/8" flare fitting to **AFLMF or AFLMF-R** 3/8" inlet connector (Fitting with printed label and clear cap) **(Use caution not to kink the line when bending).**
7. Bend 12" stainless flex line and connect to valve outlet then connect other end to 3/8" flare fitting on burner pan **(Caution do not let gas inlet line to the AFLMF or AFLMF-R or gas outlet line from the AFLMF or AFLMF-R be placed in or over the burner pan).**

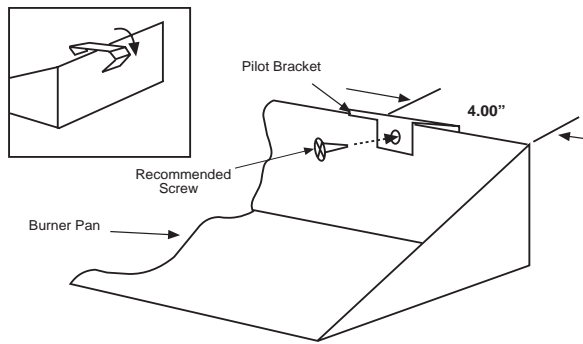
9. Turn on gas supply and check all connections for leaks using soapy water solution.
  10. Follow valve pilot lighting instructions. After pilot is lit check pilot fittings for leaks.
  11. Follow the instructions supplied with the log set to install ember material, basket grate and logs.
  12. Install Damper stop (supplied with this valve kit) (This allows damper to remain slightly open to allow the pilot to vent)
- NOTE: On all PROPANE installations it is recommended that an inlet pressure regulator be used.**



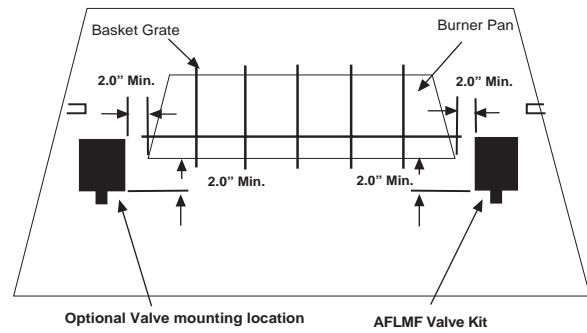
**(Figure #1)**



**(Figure #2)**



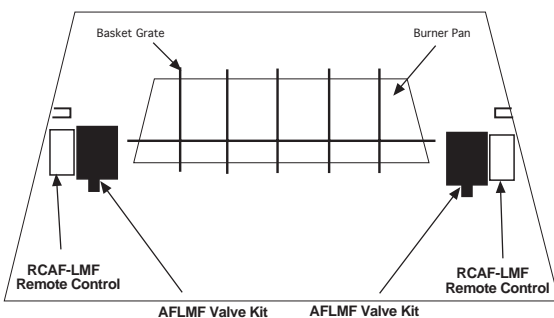
**(Figure #3)**



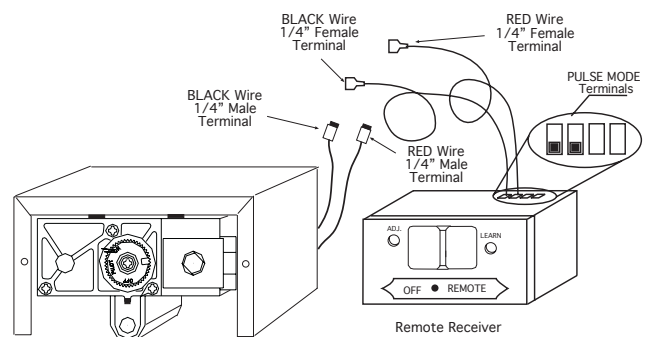
**(Figure #4)**

**Instructions for connecting the Remote Control on the AFLMF-R valve kit**

1. The remote control receiver is to be mounted on the metal side of the valve kit that is away from the fire using the (2" X 2") Velcro pad supplied (**Note: Figure #5**).
2. Remove receiver shield and battery cover then install (4) AA alkaline batteries. Reinstall receiver shield.
3. Connect the red and black wires from the ON/OFF latching solenoid on the valve to the red and black wires from the remote receiver (**Note: Figure #6**).
4. Refer to the instructions supplied with the remote control for operation of the remote control.



**(Figure #5)**



**(Figure #6)**



## FOR YOUR SAFETY READ BEFORE LIGHTING

**WARNING: IF YOU DO NOT FOLLOW THESE INSTRUCTIONS EXACTLY, A FIRE OR EXPLOSION MAY RESULT CAUSING PROPERTY DAMAGE, PERSONAL INJURY OR LOSS OF LIFE.**



1. This product has a standing pilot, which must be lit by hand. When lighting the pilot, follow these instructions exactly.
2. This installation should be installed including provisions for combustion and ventilation air, must conform with local codes or, in the absence of local codes, to the National Fuel Gas Code, ANSI Z223 latest addition.
3. This product must be on a gas supply line that is less than 1/2 psi. and with an individual manual shut off.
4. **Never** operate this new system with the glass fireplace enclosures (doors) in the **closed position**.
5. Connecting 110-volt electrical power to this product will cause damage and will void warranty

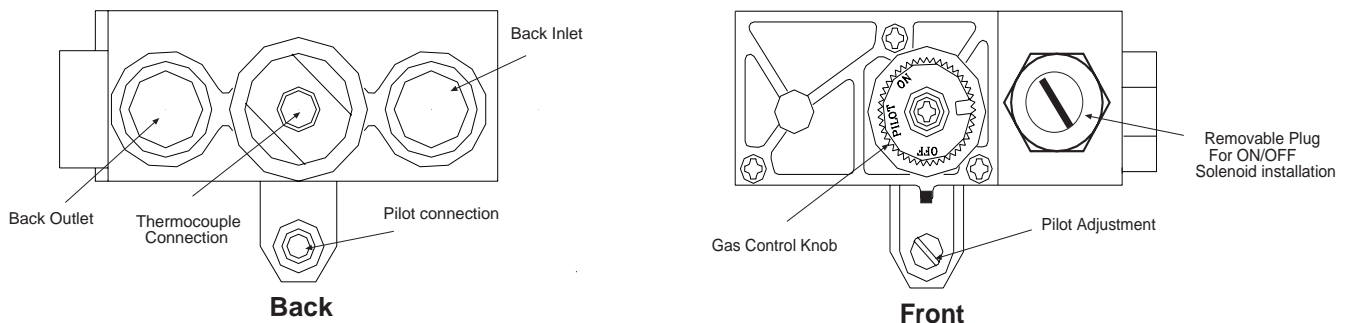
## OPERATING INSTRUCTIONS

### Pilot Gas and Lighting Procedure

5. Turn the gas control knob counterclockwise  to the PILOT position, push the gas control knob IN and HOLD in position. This will open the pilot valve and allows gas to flow to the pilot burner.
6. Light the pilot burner while holding the gas control knob in until a strong pilot flame is present. (Approximately 60 seconds)
7. Release the gas control knob. The gas control knob will hold in and engages the valve power unit.
8. Turn the gas control knob counter clockwise  to the ON position, The main burner valve will open and the main burner will ignite,

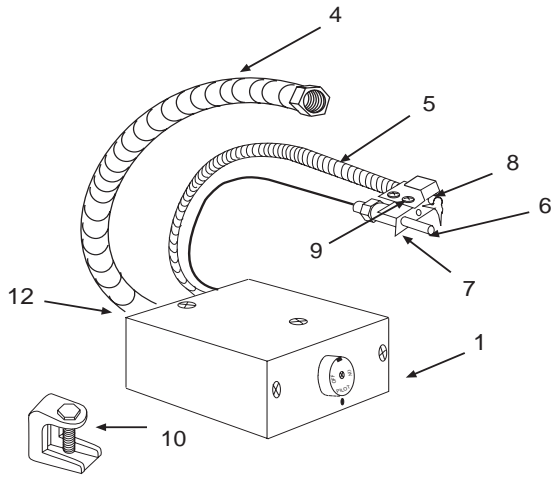
### Shut off Procedure

1. To shut OFF the main burner but leaving the pilot ON, turn the  control knob clockwise to the PILOT position. This action will close the main gas flow.
2. To shut OFF the main burner and pilot, turn the gas control knob clockwise  to the OFF position. This action will close the main gas valve and disengages the safety pilot valve. However the power unit must drop out before the lighting sequence can begin again. This may take as long as 3 minutes.
3. To relight the pilot, follow the steps in the Pilot Gas and Lighting Procedure section.

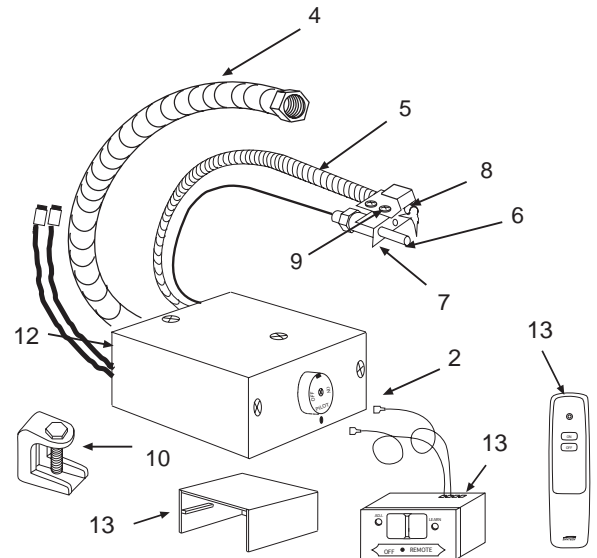


### Maintenance of your AFLMF, & AFLMF-R System

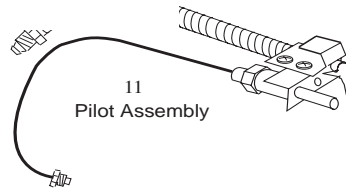
1. Your system should be checked once a year (At the start of the heating season) for proper operation by a qualified service representative.
2. Items to check: valve operation, pilot operation, switch operation, damper operation, visual check of the burner and gas connections for leaks.



**AFLMF**



**AFLMF-R**



**11**  
Pilot Assembly

### AFLMF & AFLMF-R PARTS LIST

Item Number	Description	Part Number
1	AFLMF Valve Assembly	563-4
2	AFLMF-R Valve Assembly	563-5
4	12" stainless steel connector line	685-11
5	18" stainless steel pilot tubing	685-12
6	Thermocouple	45685-6
7	Pilot burner (Natural)	685-10
8	Pilot mount bracket	685-07A
9	#12 -32 x 1/4" bolts	685-16
10	Damper stop	685-14
11	Pilot assembly	2385-9
12	3/8" Flare x 3/8" NPT connector	685-22
13	Skytech Remote Control	563-7

#### Limited Warranty

American Flame warrants the AFLMF Valve Kit for 12 months from the date of purchase or installation to the original purchaser to be free from defects in materials and workmanship. Damage to the AFLMF Valve Kit caused by accident, misuse, abuse, or installation error, whether preformed by a contractor, Service Company, or owner, is not covered by this warranty. American Flame will not be responsible for labor charges and/or damage incurred in installation, repair, replacement, or for incidental or consequential damage. Some states, provinces, and nations do not allow exclusion or limitations of incidental or consequential damages, so the above limitations or exclusions may not apply. This warranty gives you specific legal rights. You may also have other rights that vary by state, province, or nation

**American Flame, Inc. 9230 Conservation Way Fort Wayne, IN 46809**  
**Phone (888) 672-8929 Fax (888) 672-8024**

[www.skytechsystem.com](http://www.skytechsystem.com)