

# SIMPLY CONSERVE®

## Installation Instructions

### ⚠️ WARNING:

Disconnect power during installation and before servicing. Wear gloves to prevent cuts/abrasions from sharp edges when removing from carton, handling, and maintaining this fixture.

### ⚠️ SAFETY:

This fixture must be wired in accordance with the National Electric Code and applicable local codes or ordinances.

If you are unfamiliar with proper electrical wiring connections, obtain the services of a qualified electrician.

To insure personal safety, proper grounding is required (connect green fixture wire to supply ground).

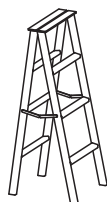
### IMPORTANT:

Read all instructions carefully before attempting installation.

### TOOLS REQUIRED:



Phillips  
Screwdriver



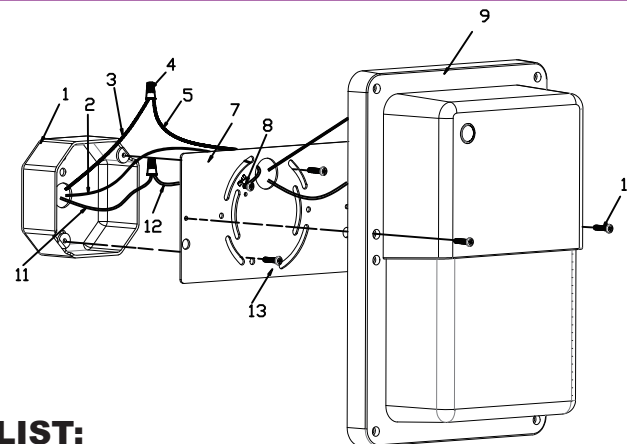
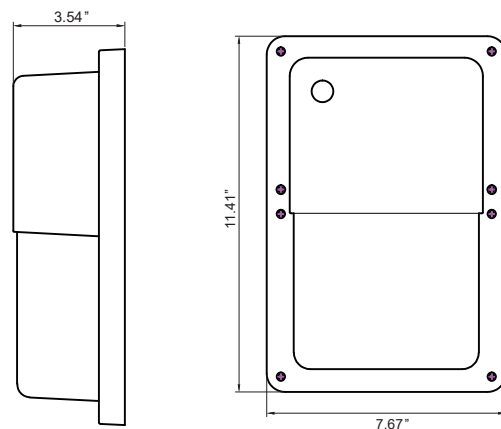
Ladder



Safety  
Goggles

### Product size:

Unit: inch



### PARTS LIST:

Remove the fixture and the mounting bracket from the box and make sure that no parts are missing by referencing the illustrations on the installation instruction.

1	Outlet box
2	House ground wire
3	Black supply wire
4	P3 wire nut
5	Black fixture wire
7	Mounting bracket
8	Grounding screw
9	Fixture
10	M4*14 machine tapping screw
11	White supply wire
12	White fixture wire
13	8-32*15 machine tapping screw

### Installation steps:

1. Pull out three power supply wires (#2#3#11) from the outlet box (#1), and thread the wires through the hole in the mounting bracket (#7).
2. Install the mounting bracket (#7) on the outlet box (#1) by 8-32\*15 machine tapping screw (#13).
3. Make wiring connections with wire nuts provided (#4).  
Connect white fixture wire (#12) to white supply wire (#11)  
Connect black fixture wire (#5) to black supply wire (#3)  
Pull the ground wire (#2) out of the outlet box, feed through the mounting bracket (#7) and secure it around the ground screw (#8).  
If house wiring includes no ground wire, consult electrician.
4. Put all three pairs of connected wires into the outlet box (#1).
5. Install the fixture (#9) on the mounting bracket (#7) by M4\*14 machine tapping screw (#10).
6. Apply a thin layer of caulk around fixture edge to seal out moisture.