

SIMPLY CONSERVE

Installation Instructions

The retrofit kit including LED Lamp and an installation instruction. Please check these items when unpackaging.

The units covered in this report are intended to retrofit Type IC or Non-IC covered ceiling recessed luminaire with through-branch wiring marked "Max. 8 of 12 AWG conductors" with instructions to remove the existing trim and diffuser.

WARNING

WARNING – Risk of fire or electric shock. LED Retrofit Kit installation requires knowledge of luminaires electrical systems. If not qualified, do not attempt installation. Contact a qualified electrician.

WARNING – Risk of fire or electric shock. Install this kit only in the luminaires that have the construction features and dimensions shown in the photographs and/or drawings. Do not make or alter any open holes in an enclosure of wiring or electrical components during kit installation.

WARNING – To prevent wiring damage or abrasion, do not expose wiring to edges of sheet metal or other sharp objects.

MIN. LAMP COMPARTMENT DIMENSIONS 163(DIA) X 185(H) mm" or "MIN. LAMP COMPARTMENT DIMENSIONS 141(DIA) X 195(H) mm

"DRY LOCATIONS ONLY" or "SUITABLE FOR DAMP LOCATIONS".

WARNING –Risk of fire or electric shock. Do not alter, relocate, or remove wiring, lampholders, power supply, or any other electrical component.

THE RETROFIT KIT IS ACCEPTED AS A COMPONENT OF A LUMINAIRE WHERE THE SUITABILITY OF THE COMBINATION SHALL BE DETERMINED BY CSA OR AUTHORITIES HAVING JURISDICTION.

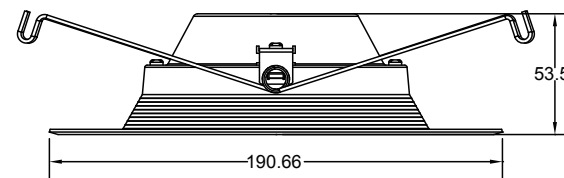
THIS DEVICE IS NOT INTENDED FOR USE WITH EMERGENCY EXITS.

Electrical parameters:

| Model No. | Input voltage (V) | Input Frequency (Hz) | Input Current (mA) | Input Watts (W) |
|--------------|-------------------|----------------------|--------------------|-----------------|
| L13DL5/6-27K | 120 | 60 | 145 | 13 |
| L13DL5/6-30K | 120 | 60 | 145 | 13 |
| L13DL5/6-40K | 120 | 60 | 145 | 13 |

Product size:

Unit: mm



Dimension tolerance: ±1.5mm

Installation steps:

STEP 1:

Turn off the power before installation, Remove the diffuser existing bulb if necessary and remove the existing trim. Attach the relamping label to the inside of recessed luminaire housing.

STEP 2:

As shown in Figure 1

Twist the lamp base into the lamp holder.

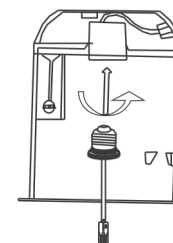


Figure 1

STEP 3:

As shown in Figure 2

Connected the lamp connector with lamp base connector.

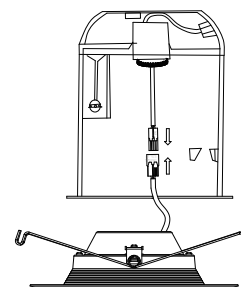
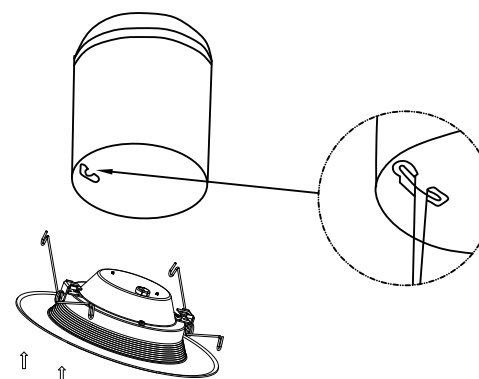


Figure2

STEP 4:

As shown in Figure 3

The lamp at both ends of the spring are arranged inside the lamp holder bayonet, (as shown in Figure 3) through the spring pressing on both sides, so that it can be on both sides of the bayonet.



STEP 5:

As shown in Figure 4

Push the LED retrofit trim into the recessed light fixture, allowing the torsion springs to pull the LED trim up into the recessed light fixture. Continue to push the LED trim until its outer edge is flush against the ceiling surface.

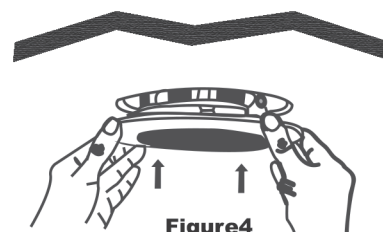


Figure4