

SIMPLY CONSERVE

LED T8 | UL TYPE B | DOUBLE-END BYPASS

L17T8G35BDE - L17T8G50BDE SERIES



Simply Conserve's T8 LEDs provide cost-effective, powerful, uniform lighting for T8 fluorescent retrofit projects utilizing standard G13 (medium bi-pin) sockets. They are used in conjunction with the existing fluorescent housing or fixture bodies. These T8 lamps are equipped with a dedicated internal driver to deliver appropriate light levels for your application.

These commercial LED lighting products are great for offices, retail spaces, schools, universities, airport lounges, government facilities and many other common indoor applications.



POTENTIAL LIFETIME SAVINGS: 1,150 KWH/\$127*

*Compared to a 32 watt fluorescent T8 and based on an average of \$0.11 per kWh.

PRODUCT FEATURES OVERVIEW



BEAM ANGLE



50,000 HOURS



EASY TO INSTALL



FLICKER FREE



TRUE COLOR

★★★★★ 5-YEAR LIMITED WARRANTY*

*AM Conservation Group, Inc. guarantees to the original purchaser or recipient of this lamp that it is free from defects in material and workmanship for five years from the date of purchase. Warranty is limited to repair or replacement of the lamp. Lamps being returned must include proof of purchase.

Rated Power (W):	17W
Color Temp (CCT):	3500K, 4000K, 5000K
Typical Lumens (lm):	2200 lm
Efficacy (lm/w):	130 lm/w @4000K-5000K
Beam Angle:	210°
Operation Temperature:	-4° to 113°F
Storage Temperature:	-40° to 185°F
Input Voltage (V):	120-277V
Power Factor:	.9
THD:	20%
Ignition Time:	<1.0 seconds
Line Frequency:	50/60 Hz
Dimmable:	No

Safety Requirement: Complies with UL1993/UL8750

Target Replacement Lamps: F25T8 (4ft), F28T8 (4ft), F30T8 (4ft), F32T8 (4ft)

- Doubled-Ended Bypass/Line Voltage
- Easy retrofit into most common linear fluorescent fixtures
- Full glass housing: no aging, yellowing, or bending
- Runs cool with minimal heat output
- No UV or IR radiation
- End-to-end lighting with no dark spots
- Suitable for used in damp and dry locations
- Suitable for use in enclosed fixtures
- This product is rated for indoor use only

AM CONSERVATION GROUP//COMMERCIAL LIGHTING

LED T8 | UL TYPE B | DOUBLE-END BYPASS L17T8G35BDE - L17T8G50BDE SERIES

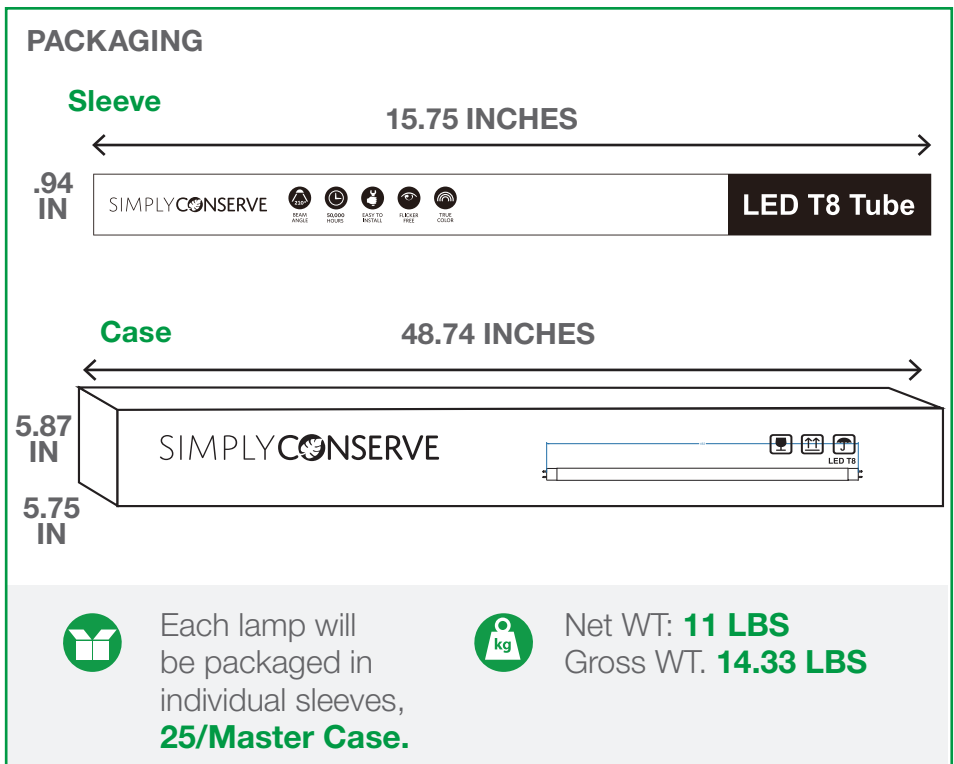
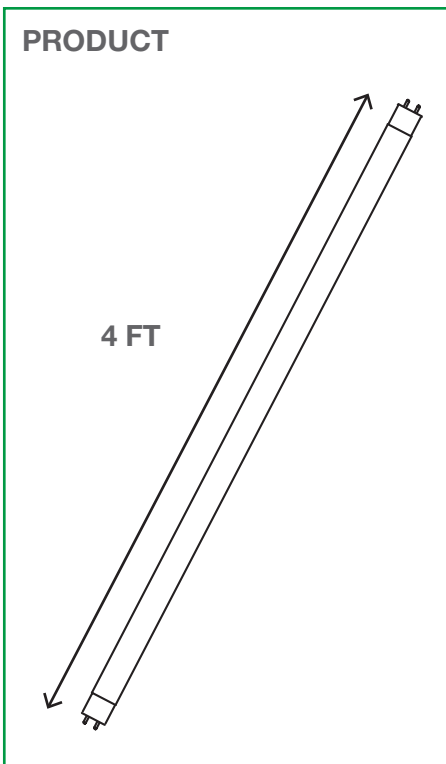
SPECIFICATIONS BY MODEL

ITEM #	WATTS	TYPE	LENGTH	MATERIAL	EQUIV.	CCT	LM	CRI	BASE	VOLT	HRS	CASE QTY
L17T8G35BDE	17W	Type B, DE	4ft	Glass	40W	3500K	2100±10%	>83	G13	120-277v	50k	25
L17T8G40BDE	17W	Type B, DE	4ft	Glass	40W	4000K	2200±10%	>83	G13	120-277v	50k	25
L17T8G50BDE	17W	Type B, DE	4ft	Glass	40W	5000K	2200±10%	>83	G13	120-277v	50k	25

MODEL SELECTION

FAMILY	WATTAGE	LAMP TYPE	MATERIAL	CCT.	OPERATION
L = LED Linear	12 = 12W 14 = 14W 15 = 15W	T8 = T8 Tube	G = Glass PC = Aluminum & Polycarbonate N = Nano Plastic	35 = 3500K 40 = 4000K 50 = 5000K	A = UL Type A BDE = UL Type B, Double End BSE = UL Type B, Single End AB = UL Type A/B, Dual Mode

DIMENSIONS

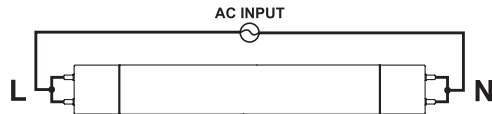


INSTRUCTIONS

1. PRODUCT FEATURES:

- UL certified
- Full glass housing: No Aging, Yellowing, Bending.

- Double ended:



2. PRODUCT APPLICATIONS:

Widely used in residential buildings, offices, shopping malls, supermarkets, hospitals, assembly lines, warehouses, etc. for energy saving illumination.

3. INSTALLATION INSTRUCTIONS:

Please comply with all instructions to ensure that the product is installed in safe conditions.

SAFETY PRECAUTIONS:

For yours and others' safety, please read the precaution's carefully before installation:

- (1). Product should be installed by qualified electrician.
- (2). Switch off the power supply before beginning work and make sure the connection is correct before powering on.
- (3). **NOT FOR EMERGENCY LIGHTING.**
- (4). Direct replacement for 32/30/28/25W 48T8 lamps only.
- (5). **CAUTION: RISK OF FIRE. USE ONLY IN PLACE OF FLUORESCENT LAMPS SPECIFIED ON LABEL.**

The units covered by this report were intended to retrofit surface mount, Type IC or non-IC recessed mount Listed fluorescent luminaires that use maximum 4 tubular lamps. The minimum lamp compartment dimensions are tabulated below:

MODEL NUMBER	MINIMUM COMPARTMENT DIMENSIONS (LENGTH X WIDTH X HEIGHT) (MM)	LAMP QUANTITY
LYYT8GXXBDE	1230 x 340 x 45	4

This device complies with Part 15 of the FCC Rules. Operation is subject to the following two conditions: (1) this device may not cause harmful interference, and (2) this device must accept any interference received, including interference that may cause undesired operation.

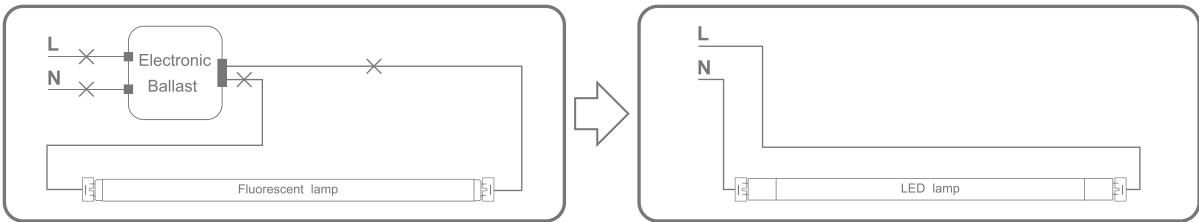
WIRING DIAGRAMS

⚠ THE BELOW BALLAST WIRING REPRESENTS TYPICAL CONFIGURATION.

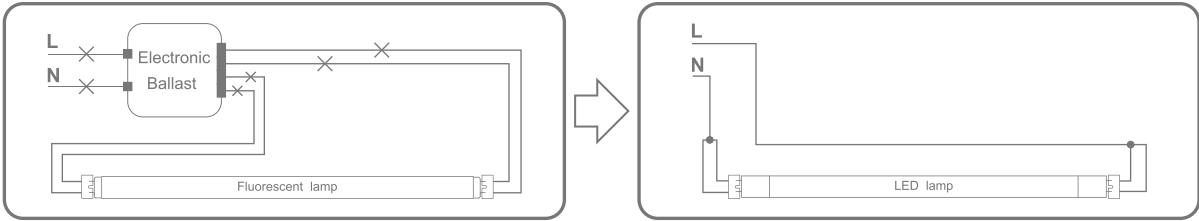
The actual ballast wiring varies according to ballast model. It is not necessary to change the socket (if it is in good condition) to operate double ended lamps, regardless the type of sockets. Please make sure one side of fixture is connected to Live (L) and the other side to Neutral (N).

Retrofit luminaire with 1 lamp

Instant Start

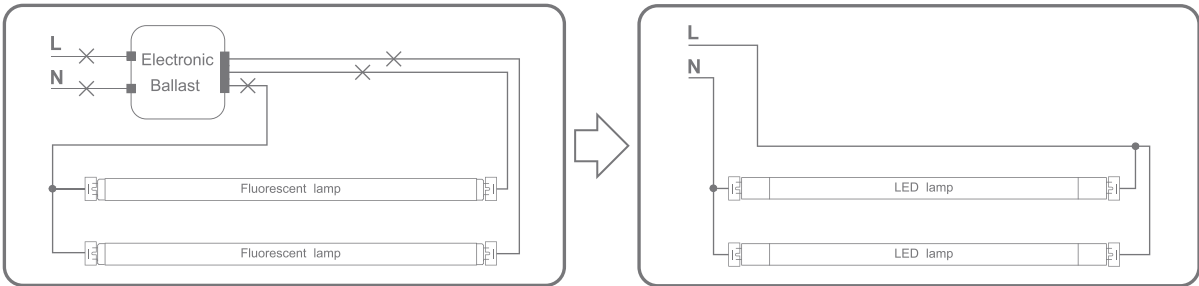


Program Start or Rapid Start

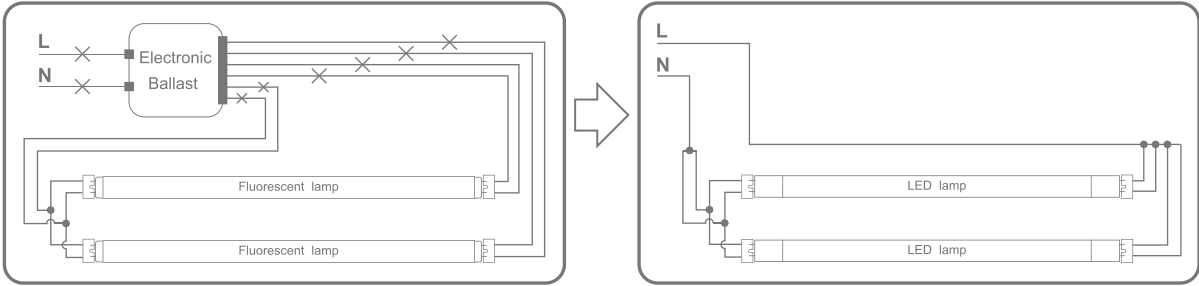


Retrofit luminaire with 2 lamps

Instant start

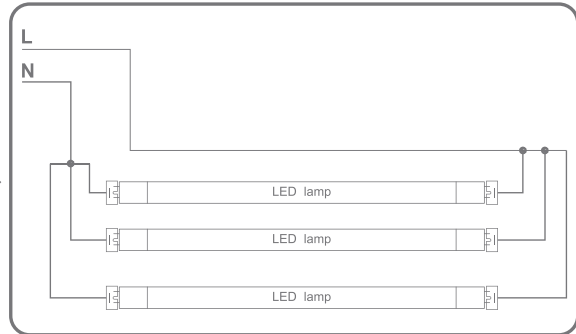
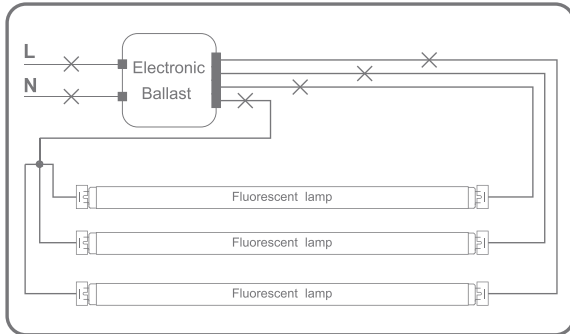


Program Start or Rapid Start

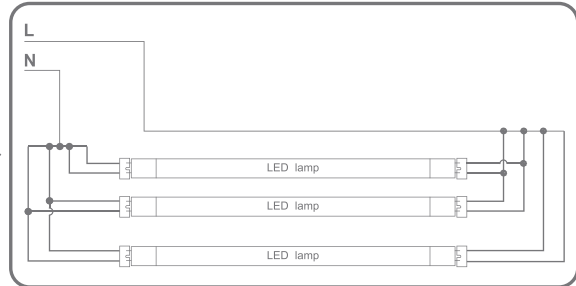
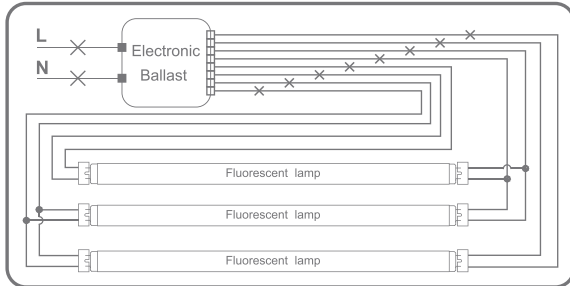


Retrofit luminaire with 3 lamps

Instant start

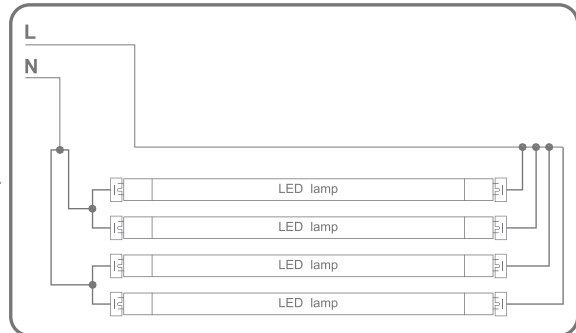
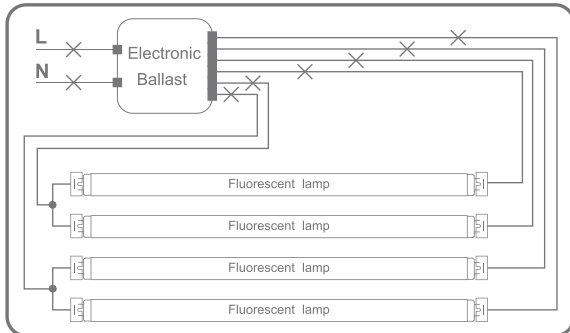


Program Start or Rapid Start



Retrofit luminaire with 4 lamps

Instant start



Program Start or Rapid Start

