

SKSHI4801S

48" CUSTOM HOOD INSERT



DUAL LEVEL LED LIGHTING

Dual-level LED lighting illuminates the cooking surface with a brilliant glow. The LED lights are energy-efficient and have a long life.

EASY-TO-CLEAN BAFFLE FILTERS

Effectively remove smoke and odors with the dishwasher safe, stainless steel baffle filters. After 60-hours of use, the filter clean reminder will activate, ensuring filters are always performing at their best.

WI-FI ENABLED FOR CONNECTIVITY

Connect the hood and cooktop for automatic communication with each other so the fans and burners are synchronized. Utilize the ThinQ® App to monitor and control air movement, operate the LED lights and turn the hood on and off.

VMAX™ TECHNOLOGY (VARIABLE MAXIMUM CFM)

The hood provides a wide range of maximum CFMs from 390 through 1200 CFM to meet local requirements, without having to compromise power or design.

Innovation

Wi-Fi Enabled for ThinQ® Control with iPhone / Android App	Yes
Remote Operations	Yes

Performance Features

Internal Blower (Included)	450–1,200 CFM, 3.5–9 Sones
Speed Levels	5
VMAX™ Technology*	Yes
Variable Max. CFM Set at 590	350-590 CFM, 3.3-6 Sones, 3 Speeds
Variable Max. CFM Set at 390	350-390 CFM, 3.3-4 Sones, 2 Speeds
Electronic Touch Controls	Yes
Auto Delay-Off	Yes
Dual-Level Lighting	Yes
Lighting Type	LED
Dishwasher Safe Filters	3 Baffle

Technical Specs

Mounting Height Above 36" High Cooktop / Range	26" Min. – 36" Max.
Installation Options	Vented
Discharge Direction	Vertical
Vertical Discharge	10" Round
Total Connect Load	120 VAC, 60 Hz, 7 Amp
Circuit Breaker Size (Min.)	15 Amp

*The Variable Maximum CFM feature can limit the maximum blower CFM to meet local code requirements.

© 2024 Signature Kitchen Suite. All rights reserved. Design, features and specifications are subject to change without notice. Specifications are for planning purposes only. Consult the product's installation instructions for final dimensional data and other details prior to making cutouts or custom panels. Consult with a heating and ventilation engineer for your specific ventilation requirements. Non-metric weights and measurements are approximate. Smart features require Internet access.

1-855-790-6655 | www.signaturekitchensuite.com

SKSHI4801S

48" CUSTOM HOOD INSERT

Dimensions and Weight

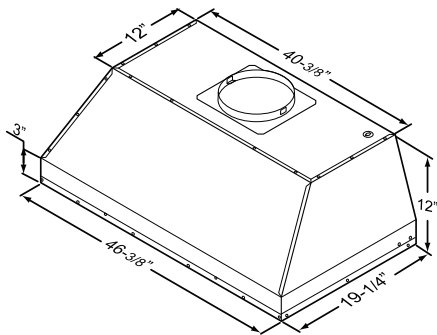
Overall Width (inches)	46 3/8"
Overall Height (inches)	12"
Overall Depth (inches)	19 1/4"
Net Weight (approx.)	59.5 lbs.
Shipping Weight (approx.)	72.1 lbs.

Warranty Summary*

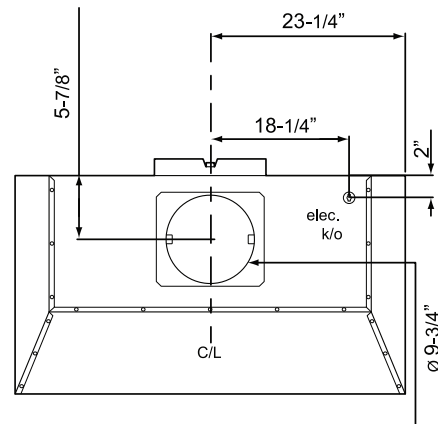
Full Warranty, Parts & Labor	3 Years
------------------------------	---------

OVERALL PRODUCT DIMENSIONS AND CLEARANCES

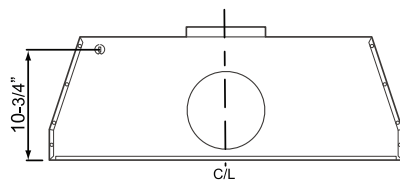
OVERALL



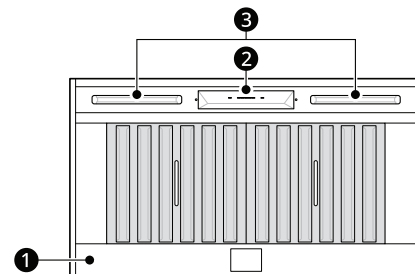
TOP VIEW



BACK VIEW



PARTS



- ① Hood
- ② Control Panel
- ③ LED Strip Light

Notes

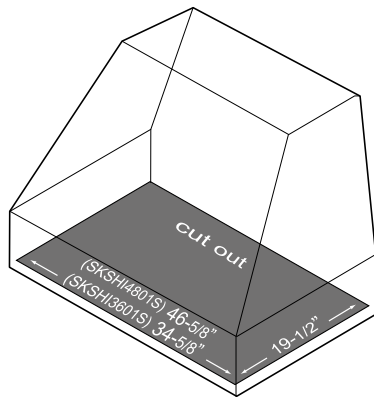
The exhaust duct(s) and electrical wiring can be connected from either the top or the back of the hood.

Tolerances: +1/16", -0 (1.6 mm, -0), unless otherwise stated.

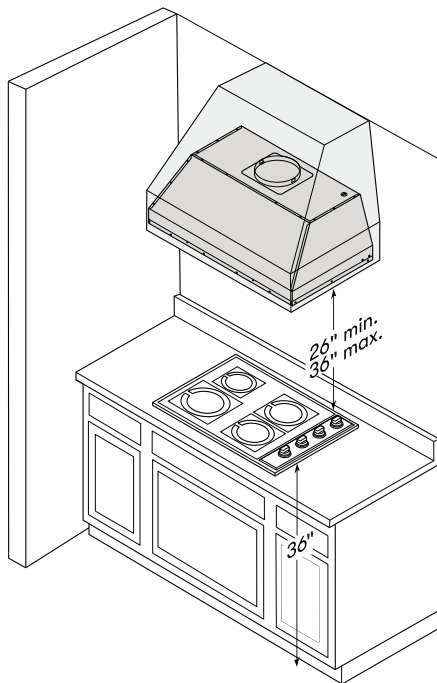
*These warranties give you specific legal rights and you may have other rights that vary from state to state. For complete warranty details, refer to your Use & Care manual.

SKSHI4801S 48" CUSTOM HOOD INSERT

CUTOUT DIMENSIONS



STANDARD DUCT COVER



Ducting

A minimum of 8" (20 cm) round duct SKSHI3601S must be used to maintain maximum air flow efficiency.

A minimum of 10" (25 cm) round duct for SKSHI4801S must be used to maintain maximum air flow efficiency. Horizontal ducting is not available for SKSHI4801S.

Always use rigid metal ducts only. Flexible ducts could restrict air flow by up to 50%.

Use the Ducting Calculation Sheet to compute the total available duct run when using elbows, transitions and caps.

ALWAYS, when possible, reduce the number of transitions and turns. If a long duct run is required, increase the duct size.

If turns or transitions are required, install as far away from the hood duct output and as far apart as possible.

Minimum mount height between range top and hood bottom should be no less than 26" (66 cm).

Maximum mount height should be no higher than 36" (91 cm) above the range top.

It is important to install the hood at the proper mounting height. Mounting the hood too low could result in heat damage and fire hazard. Mounting the hood too high will make it hard to reach and reduce its performance and efficiency.

If available, also refer to the range manufacturer's height clearance requirements and recommended hood mounting height above range.