

# UPWD3034ST

## DOUBLE WALL OVEN

**SIGNATURE**  
KITCHEN SUITE



### TRUE CONVECTION COOKING

The convection cooking system utilizes a third element and fan to cook food quickly and evenly, on every rack.

### SPEED-CLEAN™

Makes fast work of cleaning a lightly-soiled oven with just a ten minute cycle, using only water.

### GLIDESHUT™ DOOR

The door opens and closes gently with grace and elegance.

### WI-FI ENABLED FOR SMART CONTROL

The innovative wi-fi feature, powered by ThinQ® Technology, lets you cook and monitor from anywhere with the Signature Kitchen Suite app.

### Innovation

Wi-Fi-Enabled for ThinQ® Control with iPhone / Android App	Yes
--	-----

### Upper Oven Features & Performance

Oven Type	Convection
Capacity	4.7 cu. ft.
Cooking Modes	
Convection Bake, Convection Roast, Crisp Convection, Roast, Broil, Bake, Warm, Proof, Pizza	
Interior	Blue, Easy Clean®
Oven Cleaning	Self Cleaning & Speed-Clean™
Variable Cleaning Time	Self Cleaning (3,4,5 hrs), Speed-Clean™ (10 min.)
Variable Broil	Yes (Full, Center / High, Med, Low)
Broil Element	2,500 W / 1,500 W
Bake Element	2,500 W
GlideShut™ Door	Yes
Oven Racks	2 Gliding, 1 Heavy Duty
# of Rack Positions	5
Oven Meat Probe	Yes
Automatic Shut Off	12 hrs.
Convection System	True Convection
Convection Conversion	Yes
Convection Element	Yes (2,000 W)
Proof	Yes
Variable Warm	Yes (High: 200°F, Med: 170°F, Low: 140°F)

# UPWD3034ST

## DOUBLE WALL OVEN

### Lower Oven Features & Performance

Oven Type	Convection
Capacity	4.7 cu. ft.
Cooking Modes	Convection Bake, Convection Roast, Crisp Convection, Roast, Broil, Bake, Warm, Proof, Pizza
Interior	Blue, Easy Clean®
Oven Cleaning	Self Cleaning & Speed-Clean™
Variable Cleaning Time	Self Cleaning (3,4,5 hrs), Speed-Clean™ (10 min.)
Variable Broil	Yes (Full,Center / High,Med,Low)
Broil Element	2,500 W / 1,500 W
Bake Element	2,500 W
GlideShut™ Door	Yes
Oven Racks	2 Gliding, 1 Heavy Duty
# of Rack Positions	5
Oven Meat Probe	Yes
Automatic Shut Off	12 hrs.
Convection System	True Convection
Convection Conversion	Yes
Convection Element	Yes (2,000 W)
Proof	Yes
Variable Warm	Yes (High: 200°F, Med: 170°F, Low: 140°F)

### Controls

Oven	Knob+Stainless Steel Touch
Display	White, Red VFD
Electronic Clock & Timer	Yes
Lock Out Function	Yes
Delay Start Time	Yes
Preheat Alarm Light	Yes
Audible Preheat Signal	Yes
Cooking Complete Reminder	Yes
Temperature Display (F or C)	Yes
Language Options	English, Spanish, French

### Technical Specs

Rating	8.2 KW
Electrical Supply	240 VAC, 208 VAC
Max. Amp Load	34.2 A

### Dimensions and Weight

Overall Width (inches)	29 3/4
Overall Depth Including Door (inches)	24 3/8
Overall Depth Including Handle (inches)	27
Overall Depth with Door Open (inches)	45 1/2
Overall Height (inches)	52 1/16
Net Weight (approx.)	240 lbs
Shipping Weight (approx.)	276 lbs

### Accessories

Broiler Pan	1
Grid	1
Meat Probe	1
Heavy Duty Rack	2
Gliding Rack	4
Spray Water Bottle	1

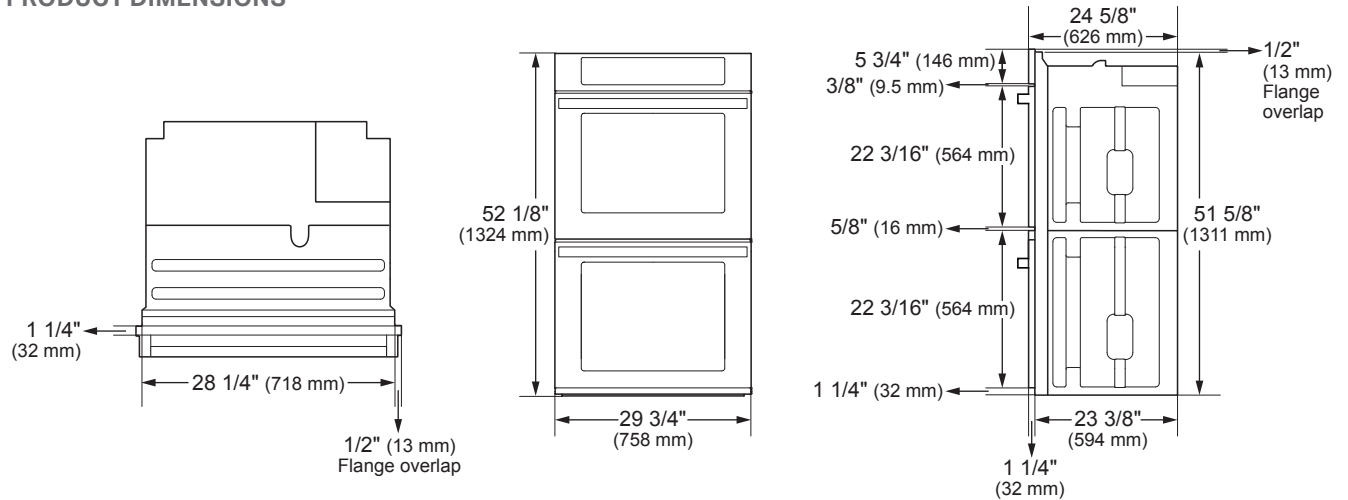
### Warranty Summary\*

Limited Warranty, Parts & Labor	2 Years
Additional 1 Year When Product Registration is Completed Online with Owner Opt-in for Wi-Fi Monitoring	Yes

\*These warranties give you specific legal rights and you may have other rights that vary from state to state. For complete warranty details, refer to your Use & Care manual.

# UPWD3034ST DOUBLE WALL OVEN

## PRODUCT DIMENSIONS



## CUTOUT DIMENSIONS

