



# OWNER'S MANUAL BUILT-IN REFRIGERATOR

Read this owner's manual thoroughly before operating the appliance and keep it handy for reference at all times.

SKSFD3604P



MFL70339803\_Rev.01

[www.signaturekitchensuite.com](http://www.signaturekitchensuite.com)

Copyright © 2018 Signature Kitchen Suite. All Rights Reserved.

# TABLE OF CONTENTS

## 3 PRODUCT FEATURES

---

## 4 SAFETY INSTRUCTIONS

---

4 IMPORTANT SAFETY INSTRUCTIONS

## 8 PRODUCT SPECIFICATIONS

---

## 9 PRODUCT OVERVIEW

---

9 Interior

## 10 OPERATION

---

10 Before Use  
11 Control Panel  
13 Internal Water Dispenser  
13 Ice Compartment  
14 Storing Food  
16 Convertible Drawer  
18 Freezer Drawer  
20 Door Bins  
20 Adjusting the Shelves  
21 Crisper

## 22 SMART FUNCTIONS

---

22 SIGNATURE KITCHEN SUITE Application  
24 Smart Grid Function  
25 Smart Diagnosis™ Function

## 28 MAINTENANCE

---

28 Cleaning  
29 Replacing the Water Filter

## 34 TROUBLESHOOTING

---

34 FAQs: Frequently Asked Questions  
35 Before Calling for Service

## 41 LIMITED WARRANTY

---

# PRODUCT FEATURES

Depending on the model, some of the following functions may not be available.

## FILTERED WATER

The water dispenser dispenses fresh, chilled water.

## DOOR ALARM

The Door Alarm function is designed to prevent refrigerator malfunctioning that could occur if a door remains open. If a door is left open for more than 60 seconds, a warning alarm sounds at 30-second intervals.

## ICE PLUS

Ice production is increased when the freezer section is maintained at the coldest temperature for a 24-hour period.

# SAFETY INSTRUCTIONS

## ***READ ALL INSTRUCTIONS BEFORE USE***

### **Your safety and the safety of others are very important.**

We have provided many important safety messages in this manual and on your appliance. Always read and follow all safety messages.



This is the safety alert symbol.

This symbol alerts you to potential hazards that can kill or injure you and others.

All safety messages will follow the safety alert symbol and either the word **WARNING** or **CAUTION**.

These words mean:



### **WARNING**

You may be killed or seriously injured if you do not follow instructions.



### **CAUTION**

You may be injured or cause damage to the product if you do not follow instructions.

All safety messages will tell you what the potential hazard is, tell you how to reduce the chance of injury, and tell you what may happen if the instructions are not followed.

## IMPORTANT SAFETY INSTRUCTIONS



### **WARNING**

**To reduce the risk of explosion, fire, death, electric shock, scalding or injury to persons when using this product, follow basic precautions, including the following:**

**California Proposition 65 (USA only)**



**WARNING : Cancer and Reproductive Harm – [www.P65Warnings.a.gov](http://www.P65Warnings.a.gov)**

## OPERATION

- This product is not to be used for special purposes such as the storage of medicine or test materials or for use on ships, etc.
- DO NOT allow children to climb, stand, or hang on the refrigerator doors or on the shelves in the refrigerator. They could damage the refrigerator and seriously injure themselves.
- Do not allow children to climb into the refrigerator. They could be trapped and suffocated.
- Children should be supervised to ensure that they do not play with the refrigerator.
- Keep fingers out of pinch point areas when opening or closing doors. Be careful closing doors when children are nearby.
- Do not touch frozen food or the metal parts in the freezer compartment with wet or damp hands. Doing so may cause frostbite.
- Do not refreeze frozen food that has thawed completely. Doing so may result in a serious health hazard.
- An individual properly grounded branch circuit or circuit breaker is recommended.
- Do not use an adapter plug or plug the power plug into a multi-outlet extension cord.
- Do not use a cord that shows cracks or abrasion damage along its length or at either the plug or connector end. Immediately have all power cords that have become frayed or otherwise damaged repaired or replaced by qualified service personnel.
- Do not operate the refrigerator or touch the power cord with wet hands.
- Do not modify or extend the power cord.
- Do not use an uncertified power outlet. Do not plug appliance into a damaged wall outlet.
- Do not put hands, feet or other objects into the air vents or bottom of the refrigerator. Doing so could result in personal injury or electric shock.
- In the event of a gas leak (propane/LPG), ensure the area is adequately ventilated and contact an authorized service center before resuming use. Do not touch the refrigerator or power button of the refrigerator.
- Turn off power to the appliance immediately and contact an authorized service center if there is a strange noise, odor, or smoke coming from the appliance.
- Do not use any fuse (such as copper, steel wire, etc.) other than a standard fuse.
- Do not place or use an electrical appliance inside the refrigerator, unless it is of a type recommended by the manufacturer.
- Do not put animals inside the appliance.
- Avoid contact with any moving parts of the ejector mechanism or with the heater that releases the ice cubes. DO NOT place fingers in the automatic icemaker when the refrigerator is plugged in.
- This appliance is not intended for use by persons (including children) with reduced physical, sensory or mental capabilities, or lack of experience and knowledge, unless they have been given supervision or instruction concerning the use of the appliance by a person responsible for their safety.
- If connected to a circuit protected by fuses, use time delay fuse.

## **MAINTENANCE**

- Do not use a hair dryer to dry the inside of the refrigerator.
- Do not light a candle to remove odors in the refrigerator.
- In the event of a refrigerant leak, move flammable objects away from the refrigerator. Ensure the area is adequately ventilated and contact an authorized service center.
- Keep flammable materials and vapors, such as gasoline, away from the refrigerator.
- This appliance is intended to be used in household and similar applications such as staff kitchen areas in shops, offices and other working environments; farm houses and by clients in hotels, motels and other residential type environments; bed and breakfast type environments; catering and similar non-retail applications.
- Turn off power before cleaning or repairing the refrigerator.
- The refrigerator and freezer compartment lights are interior LED lighting, and service should be performed by a qualified technician.
- Turn off power immediately in the event of a blackout or thunderstorm.
- Turn the power off if water or dust penetrates into the refrigerator. Call a service agent.
- Do not store, disassemble or repair the appliance yourself or allow unqualified personnel to do so.
- If the electrical supply cord is damaged, it must only be replaced by the manufacturer or its service agent or a similar qualified person in order to avoid a hazard.
- Do not store explosive substances such as aerosol cans with a flammable propellant in this appliance.

## **DISPOSAL**

- Junked or abandoned refrigerators are dangerous, even if they are sitting for only a few days. When disposing of the refrigerator, remove the packing materials from the door or take off the doors but leave the shelves in place so that children may not easily climb inside.
- If disposing of a refrigerator, make sure the refrigerant is removed for proper disposal by a qualified servicer. If you release the refrigerant, you may be fined or imprisoned in accordance with the relevant environmental law.

## **GROUNDING INSTRUCTIONS**

- Improper connection of the equipment-grounding conductor can result in a risk of electric shock. Check with a qualified electrician or service person if you are in doubt whether the appliance is properly grounded. Do not modify the plug provided with the appliance; if it will not fit the outlet, have a proper outlet installed by a qualified electrician.
- Have a qualified electrician check the wall outlet and wiring for proper grounding.

## CAUTION

To reduce the risk of minor or moderate injury to persons, malfunction, or damage to the product or property when using this product, follow basic precautions, including the following:

### INSTALLATION

- Do not install the refrigerator where there may be a danger of the unit falling.
- The refrigerator must be properly installed in accordance with the Installation Instructions.

### OPERATION

- Do not use aerosols near the refrigerator.
- This appliance is intended to be used only in domestic and similar applications.
- Do not strike or apply excessive force to any glass surface. Do not touch glass surfaces if they are cracked or broken.
- Do not overfill or pack items too tightly into door bins. Doing so may cause damage to the bin or personal injury if items are removed with excessive force.
- Do not overfill the appliance with food. Doing so may cause personal injury or property damage.

### MAINTENANCE

- Do not use strong detergents like wax or thinners for cleaning. Clean with a soft cloth.
- Remove foreign objects (such as dust and water) from the prongs of the power plug and contact areas. Do not use a wet or damp cloth when cleaning the plug.
- Do not spray water directly on the inside or outside of the refrigerator.
- Do not clean glass shelves or covers with warm water when they are cold. They may break if exposed to sudden temperature changes.

## WARNING

- Keep ventilation openings, in the appliance enclosure or in the built-in structure, clear of obstruction.
- Do not use mechanical devices or other means to accelerate the defrosting process, other than those recommended by the manufacturer.
- Do not damage the refrigerant circuit.
- Do not use electrical appliances inside the food storage compartments of the appliance, unless they are of the type recommended by the manufacturer.
- The refrigerant and insulation blowing gas used in the appliance require special disposal procedures. When disposing, please consult with service agent or a similarly qualified person.



This appliance contains a small amount of isobutane refrigerant (R600a), a natural gas with high environmental compatibility which it is also combustible. When transporting and installing the appliance, care should be taken to ensure that no parts of the refrigerating circuit are damaged. Refrigerant squirting out of the pipes could ignite or cause an eye injury. If a leak is detected, avoid any open flames or potential sources of ignition and air the room in which the appliance is standing for several minutes.

In order to avoid the creation of a flammable gas air mixture if a leak in the refrigerating circuit occurs, the size of the room in which the appliance may be sited depends on the amount of refrigerant used. The room must be 1m<sup>2</sup> in size for every 8g of R600a refrigerant inside the appliance. The amount of refrigerant in your particular appliance is shown on the identification plate inside the appliance. Never start up an appliance showing any signs of damage. If in doubt, consult your dealer.

# SAVE THESE INSTRUCTIONS

# PRODUCT SPECIFICATIONS

The appearance and specifications listed in this manual may vary due to constant product improvements.

**Electrical requirements:** 115 V, 60 Hz

**Min. / Max. water pressure:** 20 - 120 psi (138 - 827 kPa)

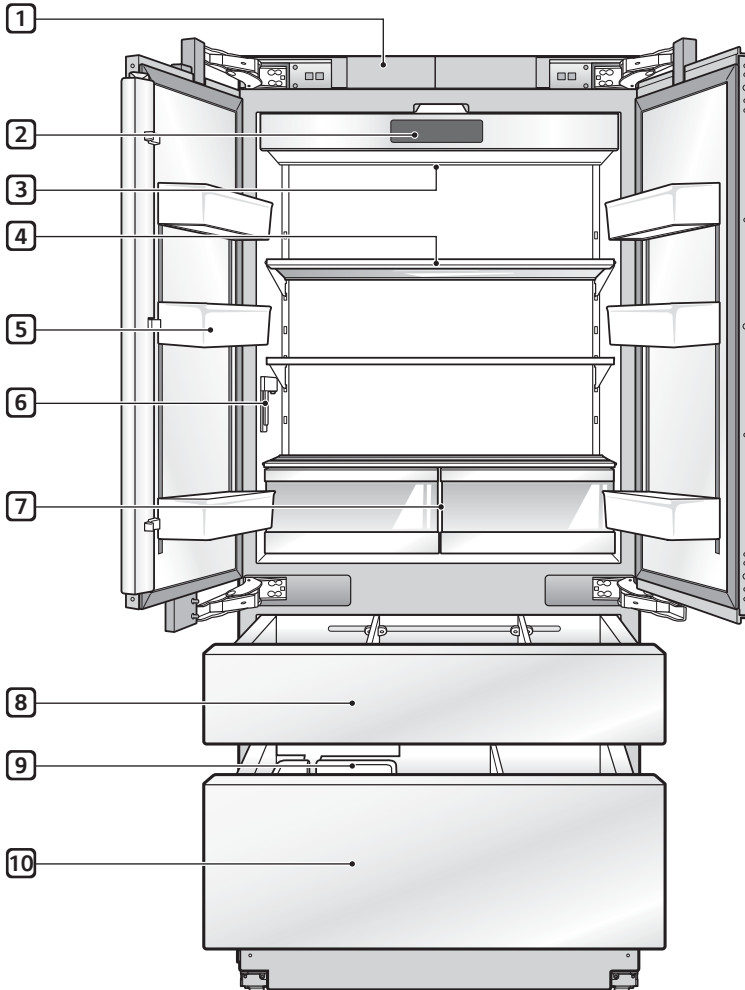
<b>Model SKSFD3604P</b>	
<b>Description</b>	Built-in, Refrigerator
<b>Net weight</b>	483 lb (219 kg)



# PRODUCT OVERVIEW

The images in this guide may be different from the actual components and accessories, which are subject to change by the manufacturer without prior notice for product improvement purposes.

## Interior



**1 Water filter**  
Purifies water.

**NOTE**

- The filter should be replaced every 6 months. See the Replacing the Water Filter section in this manual for details.

**2 Control Panel**  
Sets the refrigerator temperature and the water filter condition.

**3 LED Interior Lighting**  
Lights up the inside of the refrigerator.

**4 Adjustable Refrigerator Shelf**  
The refrigerator shelves are adjustable to meet individual storage needs.

**5 Movable Door Bin**  
Store chilled food or drinks.

**6 Internal Water Dispenser**

**7 Crisper**

**8 Convertible Drawer**

**9 Icemaker**

**10 Freezer Drawer**

# OPERATION

## Before Use



### Clean the refrigerator.

Clean the refrigerator thoroughly and wipe off all dust that accumulated during shipping.

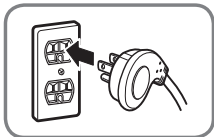
### CAUTION

- Do not scratch the refrigerator with a sharp object or use a detergent that contains alcohol, a flammable liquid or an abrasive when removing any tape or adhesive from the refrigerator. Remove adhesive residue by wiping it off with your thumb or dish detergent.
- Do not peel off the model or serial number label or the technical information on the rear surface of the refrigerator.



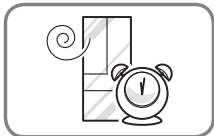
### Open refrigerator door to ventilate the interior.

The inside of the refrigerator may smell like plastic at first. Remove any adhesive tape from inside the refrigerator and open the refrigerator door for ventilation.



### Connect the power supply.

Check if the power supply is connected before use.

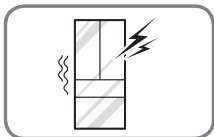


### Wait for the refrigerator to cool.

Allow the refrigerator to run for at least two to three hours before putting food in it.

### CAUTION

- Putting food in the refrigerator before it has cooled could cause the food to spoil, or a bad odor to remain inside the refrigerator.



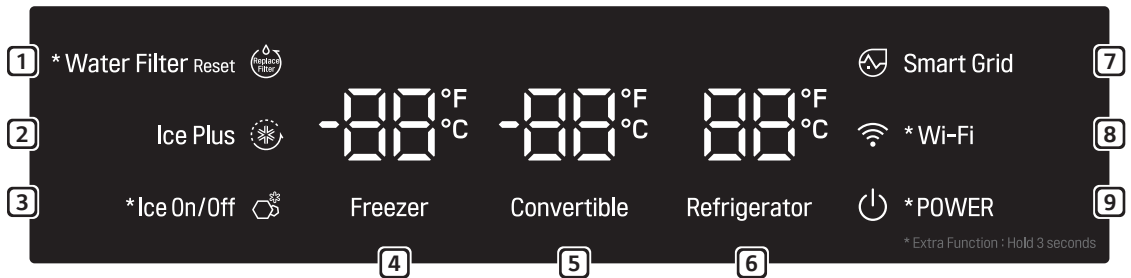
### The refrigerator makes a loud noise after initial operation.

This is normal. The volume will decrease as the temperature decreases.

## Control Panel

Depending on the model, some of the following functions may not be available.

### Control Panel Features



#### NOTE

- When the refrigerator is in the Power Saving Mode, the display remains off until a door is opened or a button is pressed. Once on, the display remains on for 20 seconds.

#### 1 \* Water Filter Reset

Replace the water filter when the **Replace Filter** icon turns on. After replacing the water filter, press and hold the **Water Filter** button for three seconds to turn the icon light off. Replace the water filter approximately every six months.

#### 2 Ice Plus

This function increases both ice making and freezing capabilities.

- Press the Ice Plus button to illuminate the icon and activate the function for 24 hours. The function automatically shuts off after 24 hours.
- Stop the function manually by pressing the button once more.

#### 3 \* Ice On/Off

Press the **Ice On/Off** button for three seconds to turn the icemaker on/off.

#### 4 Freezer

Indicates the set temperature of the freezer compartment in Celsius (°C) or Fahrenheit (°F). The default freezer temperature is 0°F (-18 °C).

Press the **Freezer** button repeatedly to select a new set temperature from -6 to 8 °F (-24 to -16 °C).

#### 5 Convertible

Variable temperature storage that can be set either colder or warmer than the refrigerator. Store meat and seafood at 30°F/-1°C, cold drinks at 33°F/1°C, deli snacks at 37°F/3°C, or chilled wine at 41°F/5°C.

To use the convertible drawer as a freezer, select the current freezer temperature. For example, if the freezer is set to 0°F, then 0°F automatically appears in the Convertible display as an option.

Once the convertible drawer is set to freezer mode, its temperature matches the freezer temperature. Changing the freezer temperature automatically changes the drawer temperature. Pressing the Convertible temperature button unlinks the drawer and returns it to refrigeration mode.

#### 6 Refrigerator

Indicates the set temperature of the refrigerator compartment in Celsius (°C) or Fahrenheit (°F).

The default refrigerator temperature is 37 °F (3 °C). Press the **Refrigerator** button repeatedly to select a new set temperature from 33 °F to 46 °F (1 °C to 8 °C)

**7 Smart Grid**

Press the **Smart Grid** button to turn the Smart Grid function On/Off. When the function is on, the icon illuminates. The Smart Grid function automatically turns on when the refrigerator is connected to the Wi-Fi network.

When the refrigerator is responding to a Demand Response (DR) message from the electric company, the Grid text illuminates.

**8 \* Wi-Fi**

The **Wi-Fi** button, when used with the SIGNATURE KITCHEN SUITE smart phone app, allows the refrigerator to connect to a home Wi-Fi network. Refer to the Smart Functions section for information on the initial setup of the application.

The **Wi-Fi** icon shows the status of the refrigerator's network connection. The icon illuminates when the refrigerator is connected to the Wi-Fi network.

Press and hold the **Wi-Fi** button for 3 seconds to connect to the network. The icon blinks while the connection is being made, then turns on once the connection is successfully made.

**9 \* Power**

The Power button turns off all electrical power to the unit.

Press and hold the Power button for 3 seconds to turn off the power. When the power is off, the indicator light is off. There is no need to turn off power at the circuit breaker or wall receptacle. Use this function for service or extended vacations.

**4 and 9 SABBATH**

**Sabbath mode is used on the Jewish Sabbath and holidays.**

- To turn Sabbath mode on, touch the display to activate it, then press and hold the Freezer and Power buttons for 3 seconds until Sb appears in the display.
- Sabbath mode automatically turns off after 96 hours.
- To turn Sabbath mode off manually, press and hold the Freezer and Power buttons for 3 seconds.
- Once turned on, Sabbath mode is maintained even after a power outage.
- Selecting Sabbath mode automatically turns off the Light and Alarm functions. The dispenser is also disabled.
- The interior display stays on during Sabbath mode, but only "Sb" and the Freezer and Power buttons are displayed.

**NOTE**

- The Smart Grid function is automatically turned off in Sabbath mode. When Sabbath mode ends, the Smart Grid function must be activated again manually.

**⚠ CAUTION****Display Mode (For Store Use Only)**

- The Display Mode disables all cooling in the refrigerator to conserve energy while on display in a retail store. When activated, OF is displayed on the control panel and the display remains on for 20 seconds.

**To deactivate / activate:**

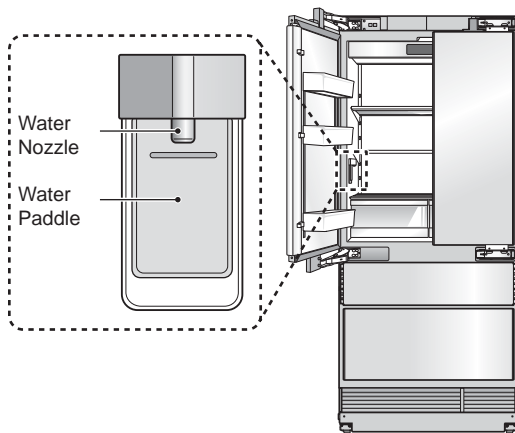
- With the refrigerator door open, press and hold the Freezer and Water Filter reset buttons at the same time for five seconds. The control panel beeps and the temperature settings display to confirm that Display Mode is deactivated. Use the same procedure to activate Display Mode.

## Internal Water Dispenser

### ⚠ CAUTION

- Keep children away from the dispenser. Children may play with or damage the controls.
- If water is dispensed unexpectedly, turn off the water supply and contact a SIGNATURE KITCHEN SUITE Customer Information Center.
- After installation, dispense 2.5 gallons of water (flush for approximately 5 minutes) to remove trapped air and contaminants from the system.

## Dispenser Structure



### NOTE

- To dispense water, push on the water paddle with a glass.
- Some dripping may occur after dispensing. Hold the cup beneath the dispenser for a few seconds after dispensing to catch all of the drops.

## Ice Compartment

### ⚠ CAUTION

- Keep hands and tools out of the ice compartment. Failure to do so may result in damage or personal injury.
- Throw away the first few batches of ice after installation. This is also necessary if the freezer has not been used for a long time.
- Never store beverage cans or other items in the ice bin for the purpose of rapid cooling. Doing so may damage the icemaker or the containers may burst.

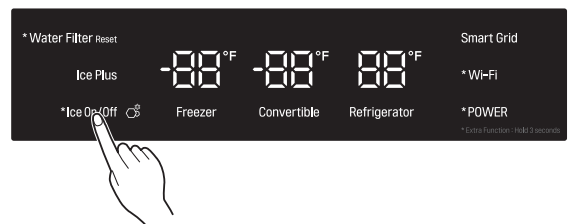
## Automatic Icemaker

The automatic icemaker can automatically make 12 cubes at a time. This quantity may vary due to ambient temperature, frequency of door opening, freezer load, etc.

- It takes about 12 hours for a newly installed refrigerator to begin making ice.
- Icemaking stops when the ice bin is full.
- Occasionally shake the ice bin to level the ice. If the ice cubes pile up on the side nearest the shutoff sensor, ice production will stop.
- To increase ice production, use the Ice Plus function. The function increases both ice making and freezing capabilities.

## Turning the Automatic Icemaker On or Off

To turn off the automatic icemaker, press the ice **On/Off** button on the display for three seconds.



## Normal Sounds You May Hear

- Keeping the power turned on to the icemaker before the water line is connected can damage the icemaker.
- The icemaker water valve buzzes as the icemaker fills with water. If the **Ice On/Off** button is in the ON mode, it will buzz even if it has not yet been hooked up to water. To stop the buzzing, press the **Ice On/Off** button to turn it off.
- You will hear the sound of cubes dropping into the bin and water running in the pipes as the icemaker refills.

## Preparing for Vacation

Set the **Ice On/Off** button to OFF and shut off the water supply to the freezer.

### NOTE

- The ice bin should be emptied any time the Ice On/Off button is turned to the OFF mode.

If the ambient temperature will drop below freezing, have a qualified technician drain the water supply system to prevent serious property damage due to flooding caused by ruptured water lines or connections.

## Storing Food

### CAUTION

- Do not overfill or pack items too tightly into door bins. Doing so may cause damage to the bin or personal injury if items are removed with excessive force.

### NOTE

- If you are leaving home for a short period, like a short vacation, the refrigerator should be left on. Refrigerated foods that are able to be frozen will stay preserved longer if stored in the freezer.
- If you are leaving the refrigerator turned off for an extended period, remove all food and unplug the power cord. Clean the interior, and leave the door open to prevent fungi from growing in the refrigerator.
- Do not store food with high moisture content towards the top of the refrigerator. The moisture could come in direct contact with the cold air and freeze.
- Wash food before storing it in the refrigerator. Vegetables should be washed, and food packaging should be wiped down to prevent adjacent foods from being contaminated.
- If the refrigerator is kept in a hot and humid place, frequent opening of the door or storing a lot of vegetables in the refrigerator may cause condensation to form. Wipe off the condensation with a clean cloth or a paper towel.
- If the refrigerator door is opened or closed too often, warm air may penetrate the refrigerator and raise its temperature. This can increase the running costs of the unit.

## Food Storage Tips

Wrap or store food in the refrigerator in airtight and moisture-proof material unless otherwise noted. This prevents food odor and taste transfer throughout the refrigerator. For dated products, check date code to ensure freshness.

Food	How to
Butter or Margarine	Keep opened butter in covered dish or closed compartment. When storing an extra supply, wrap in freezer packaging and freeze.
Cheese	Store in original wrapping until used. Once opened, rewrap tightly in plastic wrap or aluminum foil.
Milk	Wipe milk cartons. For coldest milk, place containers on an interior shelf.
Eggs	Store in original carton on interior shelf, not in door bin.
Fruit	Do not wash or hull fruit until it is ready to be used. Sort and keep fruit in original container in a crisper, or store in completely closed paper bag on refrigerator shelf.
Leafy Vegetables	Remove store wrapping, trim or tear off bruised and discolored areas, wash in cold water, and drain. Place in plastic bag or plastic container and store in crisper.
Vegetables with skins (carrots, peppers)	Place in plastic bags or plastic container and store in crisper.
Fish	Freeze fresh fish and shellfish if they are not being eaten the same day purchased. Eating fresh fish and shellfish the same day purchased is recommended.
Leftovers	Cover leftovers with plastic wrap or aluminum foil, or store in plastic containers with tight lids.

## Storing Frozen Food

Check a freezer guide or a reliable cookbook for further information about preparing food for freezing or food storage times.

### Freezing

Your freezer will not quick-freeze a large quantity of food. Do not put more unfrozen food into the freezer than will freeze within 24 hours (no more than 2 to 3 pounds of food per cubic foot of freezer space). Leave enough space in the freezer for air to circulate around packages. Be careful to leave enough room at the front so the door can close tightly.

Storage times will vary according to the quality and type of food, the type of packaging or wrap used (how airtight and moisture-proof) and the storage temperature. Ice crystals inside a sealed package are normal. This simply means that moisture in the food and air inside the package have condensed, creating ice crystals.

### NOTE

- Allow hot foods to cool at room temperature for 30 minutes, and then package and freeze. Cooling hot foods before freezing saves energy.

### Packaging

Successful freezing depends on correct packaging. When you close and seal the package, it must not allow air or moisture in or out. If it does, you could have food odor and taste transfer throughout the freezer and could also dry out frozen food.

### Packaging recommendations

- Rigid plastic containers with tight-fitting lids
- Straight-sided canning/freezing jars
- Heavy-duty aluminum foil
- Plastic-coated paper
- Non-permeable plastic wraps
- Specified freezer-grade self-sealing plastic bags

Follow package or container instructions for proper freezing methods.

### Do not use

- Bread wrappers
- Non-polyethylene plastic containers
- Containers without tight lids
- Wax paper or wax-coated freezer wrap
- Thin, semi-permeable wrap

## Storing Food in the Convertible Drawer

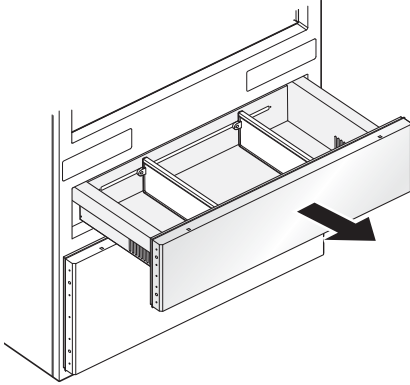
Press the Convertible button repeatedly to cycle through the available temperature settings. For best results, see the table below.

Temp.	Stored Items
-6 to 8°F (-24 to -16°C)	Frozen food
30°F/-1°C	Meat and seafood
33°F/1°C	Cold drinks
37°F/3°C	Deli snacks
41°F/5°C	Wine

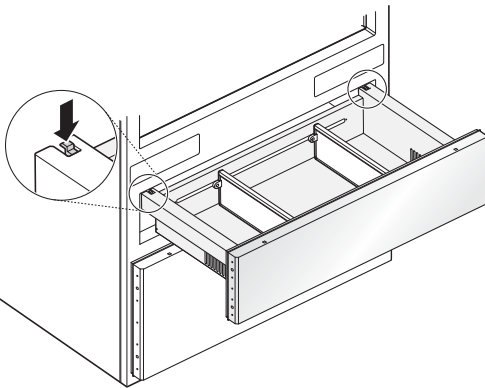
## Convertible Drawer

### Removing the Convertible Drawer

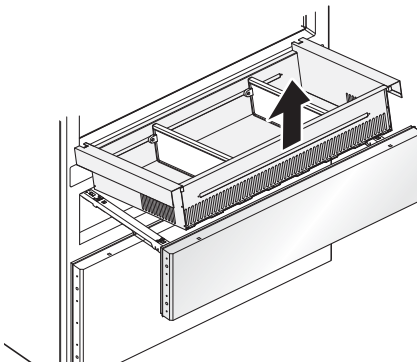
- 1 Pull the drawer out until it stops.  
Empty all contents out of the drawer before removing it.



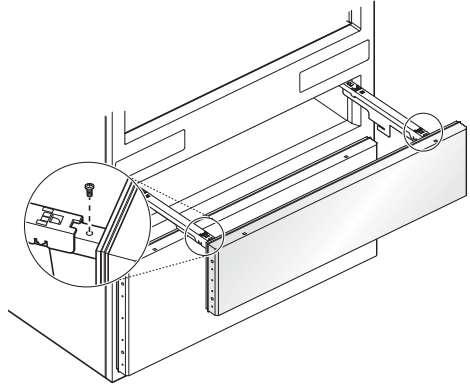
- 2 Push the button and disengage the stopper on either side.



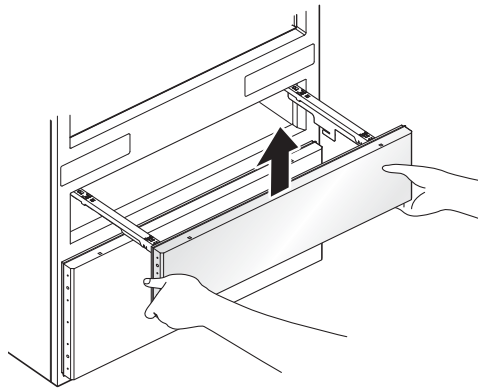
- 3 Remove the basket by lifting the basket from the rail system.



- 4 Remove the screws from the rails at both sides.



- 5 Hold both sides of the door and lift it to remove it from the rail system.



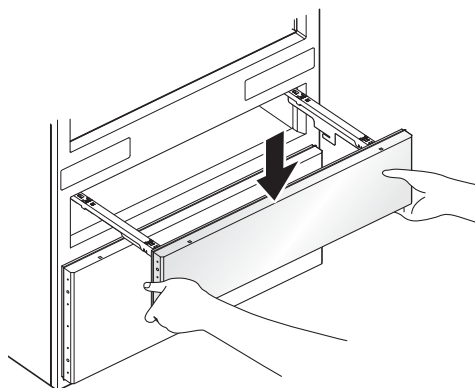
### CAUTION

- The drawers are heavy. Always use two hands when removing or assembling the drawers to avoid product damage or personal injury. Always empty drawers before removing them.
- Always open the door completely before removing or assembling the drawers.

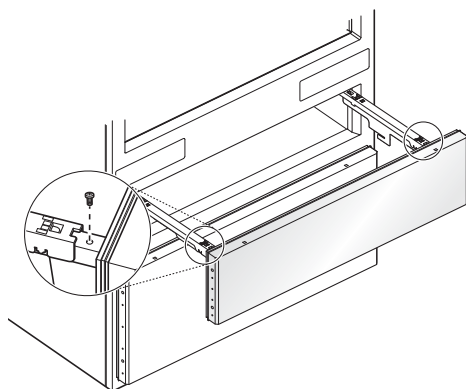


## Assembling the Convertible Drawer

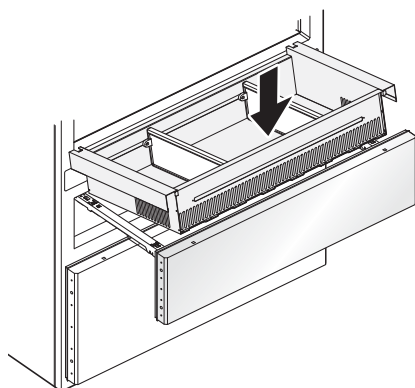
- 1 Grasp the door on each side and lower it into place on the rail system.



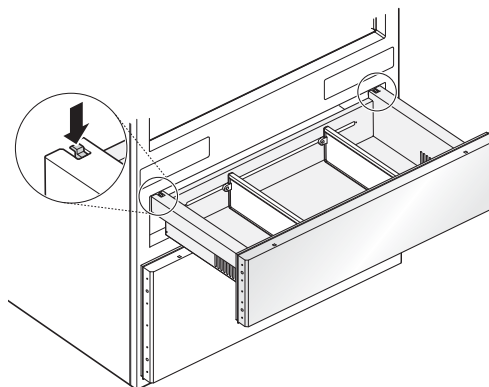
- 2 Insert screws at the end of both rails.



- 3 Pull the drawer open to full extension. Lower the basket onto the rail system.



- 4 Push the button and engage the stopper on either side.



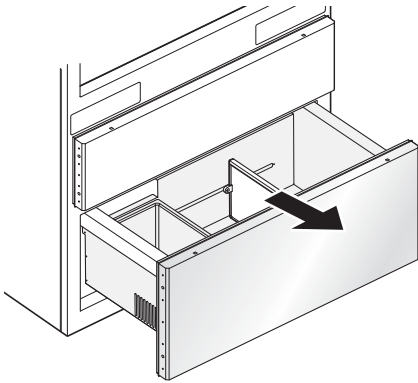
## Freezer Drawer

### Removing the Freezer Drawer

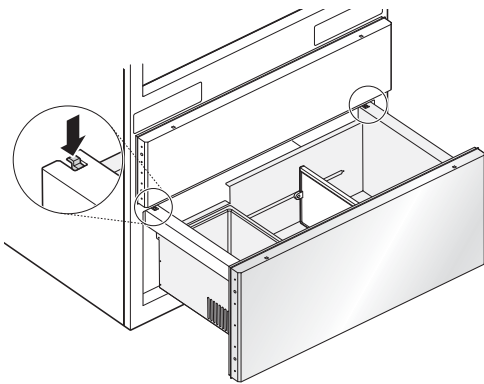
#### NOTE

- The convertible drawer must be removed before the freezer drawer can be removed.

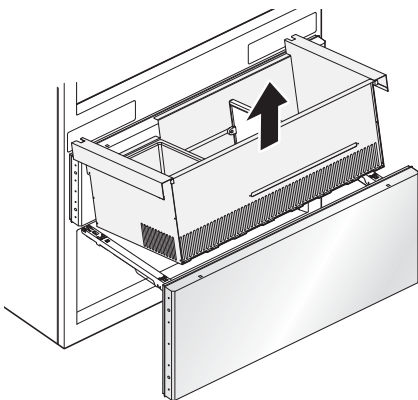
- 1 Pull the drawer out until it stops.  
Empty all contents out of the drawer before removing it.



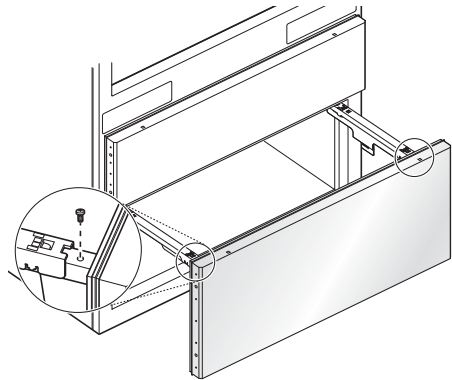
- 2 Push the button and disengage the stopper on either side.



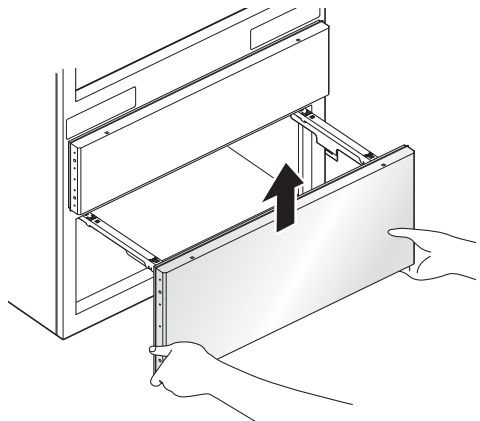
- 3 Remove the basket by lifting the basket from the rail system.



- 4 Remove the screws from the rails at both sides.



- 5 Hold both sides of the door and lift it to remove it from the rail system.

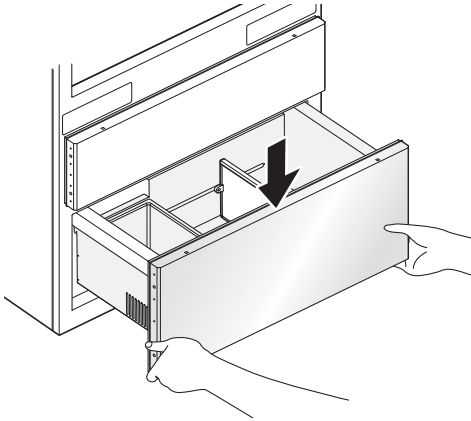


## Assembling the Freezer Drawer

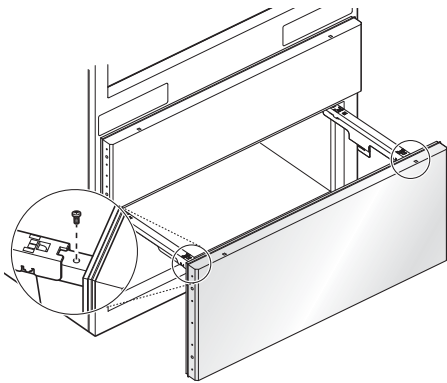
### NOTE

- The convertible drawer must be removed in order to assemble the freezer drawer.

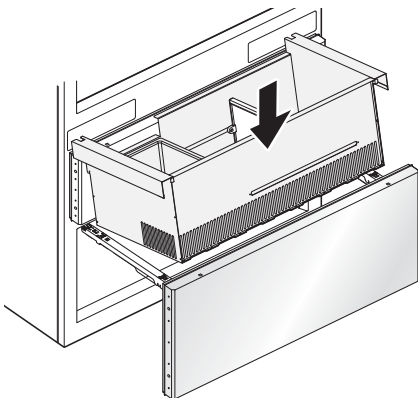
- 1 Grasp the door on each side and lower it into place on the rail system.



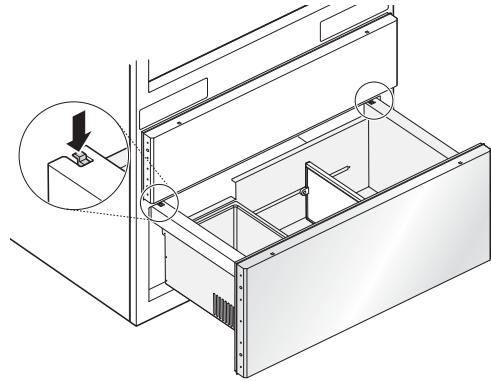
- 2 Insert screws at the end of both rails.



- 3 Pull the drawer open to full extension. Lower the basket onto the rail system.

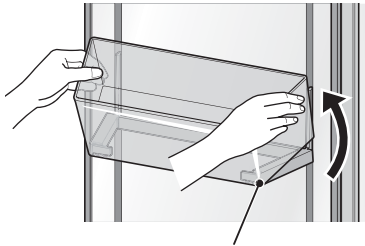


- 4 Push the button and engage the stopper on either side.



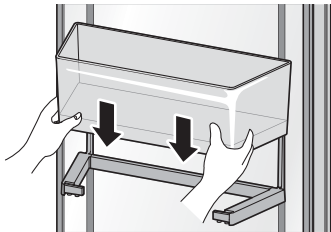
## Door Bins

To remove the door bins, hold the bin with both hands and tilt the back edge up.

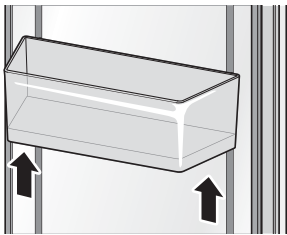


the axis of rotation

To assemble the door bin, align both sides of the bin with the guides and push the bin down until it snaps into place.



To adjust the location of the bin, tilt the front of the bin up and slide the bin up or down to the desired location.



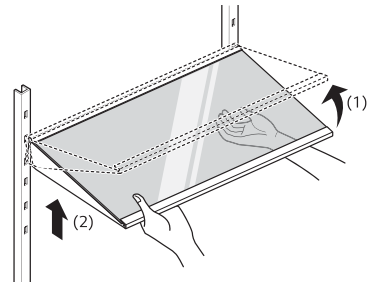
## Adjusting the Shelves

The shelves in the refrigerator are adjustable to meet individual storage needs.

Adjusting the shelves to fit items of different heights will make finding the exact item you want easier.

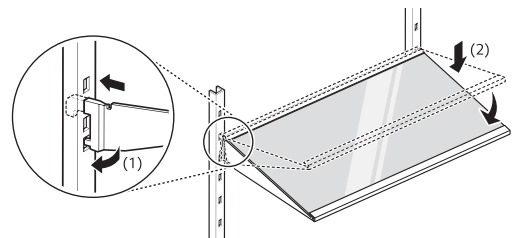
### Detaching the Shelf

- 1 Tilt up the front of the shelf and then lift the shelf straight up.
- 2 Pull the shelf out.



### Assembling the Shelf

- 1 Tilt the front of the shelf up and guide the shelf hooks into the slots at a desired height.
- 2 Lower the front of the shelf so that the hooks drop into the slots.



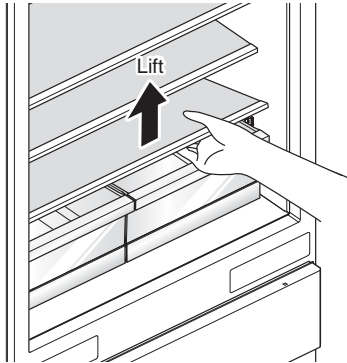
### ⚠ CAUTION

- Make sure that shelves are level from one side to the other. Failure to do so may result in the shelf falling or spilled food.
- Do not clean glass shelves with warm water while they are cold. Shelves may break if exposed to sudden temperature changes or impact.
- Glass shelves are heavy. Use special care when removing them.

## Crisper

### Removing the Crisper Cover

- Lift up the glass at the front and pull the cover out.



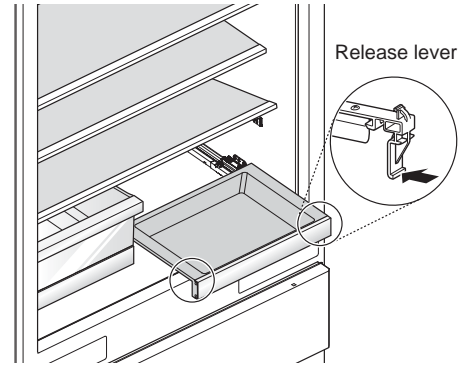
### Removing the Crisper Drawers

- Pull the crisper drawer out until it stops.
- Lift the front of the drawer to remove it.



### Removing the Crisper Drawer Frames

- 1 Remove the crisper drawer.
- 2 Pull the drawer frame out until it stops.
- 3 Press the release levers on either side of the drawer frame and lift the drawer frame.



### **!** CAUTION

- Make sure that Crisper is level from one side to the other. Failure to do so may result in the Crisper falling or spilled food.
- Do not clean the Crisper glass with warm water while it is cold. Crisper may break if exposed to sudden temperature changes or impact.
- Crisper is heavy. Use special care when removing it.

# SMART FUNCTIONS

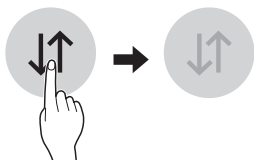
## SIGNATURE KITCHEN SUITE

### Application

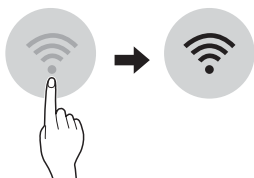
The SIGNATURE KITCHEN SUITE application allows you to communicate with the appliance using a smartphone.

### Before Using the Application


- 1 Check the strength of the wireless signal near the appliance.
  - If the distance between the appliance and the wireless router is too far, the signal strength becomes weak. It may take a long time to register or installation may fail.
- 2 Turn off the **Mobile data** or **Cellular Data** on your smartphone.



- 3 Connect your smartphone to the wireless router.



### NOTE

- To verify the Wi-Fi connection, check that **Wi-Fi**  icon on the control panel is lit.
- The appliance supports 2.4 GHz Wi-Fi networks only. To check your network frequency, contact your Internet service provider or refer to your wireless router manual.
- The SIGNATURE KITCHEN SUITE application is not responsible for any network connection problems or any faults, malfunctions, or errors caused by network connection.
- The surrounding wireless environment can make the wireless network service run slowly.
- If the appliance is having trouble connecting to the Wi-Fi network, it may be too far from the router. Purchase a Wi-Fi repeater (range extender) to improve the Wi-Fi signal strength.
- The network connection may not work properly depending on the Internet service provider.
- The Wi-Fi connection may not connect or may be interrupted because of the home network environment.
- If the appliance cannot be registered due to problems with the wireless signal transmission, turn off the router and wait about a minute before turning it back on and trying again.
- If the firewall on your wireless router is enabled, disable the firewall or add an exception to it.
- The wireless network name (SSID) should be a combination of English letters and numbers. (Do not use special characters.)
- Smartphone user interface (UI) may vary depending on the mobile operating system (OS) and the manufacturer.
- If the security protocol of the router is set to WEP, you may need to change it to WPA2 in order to successfully register the product.

## Installing SIGNATURE KITCHEN SUITE Application

Search for the SIGNATURE KITCHEN SUITE application from the Google Play Store or Apple App Store on a smart phone. Follow instructions to download and install the application.

### NOTE

- If you choose the simple login to access the SIGNATURE KITCHEN SUITE application, you must go through the appliance registration process each time you change your smartphone or reinstall the application.

### NOTE

- If you change your wireless router, your Internet service provider or your password after registering the appliance, delete the product from the SIGNATURE KITCHEN SUITE application under **Settings** → **Edit Product** and register it again.
- This information is current at the time of publication. The application is subject to change for product improvement purposes without notice to users.

## SIGNATURE KITCHEN SUITE Application Features

### Manage Food

This feature helps track items in the refrigerator and freezer, sends alerts when items are near their use by dates, generates grocery lists, and links to related recipes.

### Energy Monitoring

This feature keeps track of the refrigerator's power consumption and the number of door openings.

### Push Messages

If the door remains open for more than ten minutes, you will receive a push message. When Ice Plus is finished, you will receive a push message.

### Smart Diagnosis™

This function provides useful information for diagnosing and solving issues with the appliance based on the pattern of use.

### Settings

Allows you to set various options on the refrigerator and in the application.

## Smart Grid Function

When the refrigerator operates in Smart Grid mode, the Smart Refrigerator function can control energy usage or delay the operation of some functions to save energy during peak usage periods.

- You can override the Smart Grid function at any time (using the **Smart Grid** button or application).
- To use the Smart Grid function, you need to register your appliance with your electric utility company.

## Smart Grid Application Features

### Smart Saving\_Demand Response

You can lower energy usage based on Demand Response (DR) signals from the utility company. If the refrigerator is operating in Smart Saving mode due to a DR signal, you will see a pop up.

### Seasonal Energy Savings

Lower energy usage based on time period.

## Using the Smart Grid Function

This feature responds to notification events from your utility company to run high energy consuming tasks during off-peak periods when demand is lower. These notification events are known as Demand Response signals.

If the refrigerator receives a Demand Response signal from the utility company, the refrigerator will turn on the Grid LED on the refrigerator display and control its power consumption according to the signal.

The refrigerator will respond to the signals received from the utility company as long as product performance is maintained.

If the refrigerator receives a Demand Response signal, the refrigerator will operate in Delay Appliance Load (DAL) or Temporary Appliance Load Reduction (TALR) mode.

### Delay Appliance Load (DAL)

The refrigerator responds to a DAL signal by providing a moderate load reduction for the duration of the delay period.

This mode controls functions that consume a lot of energy such as adjusting the cooling system, running the defrost cycle, and making ice.

- When the refrigerator operates in DAL mode, the Grid LED is illuminated on the refrigerator display.
- DAL mode is automatically deactivated after the period stipulated by the DAL signal (max. 4 hours) or when you override the Smart Grid function.

### Temporary Appliance Load Reduction (TALR)

The refrigerator responds to a TALR signal by aggressively reducing the load for a short time period, typically 10 minutes. This mode reduces energy consumption by stopping the compressor and controlling the functions that consume a lot of energy such as the defrost cycle and fan.

- When the refrigerator operates in TALR mode, the Grid LED is illuminated on the refrigerator display.
- TALR mode is automatically deactivated after the received duration (max. 10 minutes), or when you override the Smart Grid function. The mode is immediately deactivated and the refrigerator returns to its normal state when the door is opened or closed, or the dispenser is used.

### Override Smart Grid Mode

To ignore the Demand Response signal from the utility company and override the Smart Grid function, push the **Smart Grid** button while the refrigerator is in Smart Grid mode.

When you override the Smart Grid function, the refrigerator ignores the Demand Response signal and is no longer controlled by the utility company until the next Demand Response signal is sent. You can also override the Smart Grid function using the smart phone app.

## SIGNATURE KITCHEN SUITE Open API

You can manage Smart Grid features for the SIGNATURE KITCHEN SUITE refrigerator.

Please check the detailed specifications on the notice page on [www.signaturekitchensuite.com](http://www.signaturekitchensuite.com).

### API list

Demand Response

- Send demand response signal

Power Saving

- Set saving mode
- Get schedule of DR/Delay Defrost

Energy Monitoring

- Get door open event
- Get energy consumption

Delay Defrost Capability

- Insert a delay defrost schedule event
- Update a delay defrost schedule event
- Delete a delay defrost schedule event
- Get the delay defrost schedule



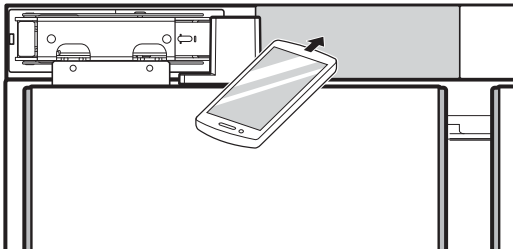
## Smart Diagnosis™ Function

Should you experience any problems with the appliance, it has the capability of transmitting data via your telephone to the SIGNATURE KITCHEN SUITE Information Center. NFC or Wi-Fi equipped models can also transmit data to a smartphone using the SIGNATURE KITCHEN SUITE application.

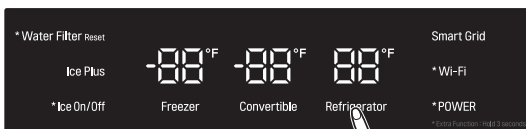
### Smart Diagnosis™ through the Customer Information Center

This method allows you to speak directly to our trained specialists. The specialist records the data transmitted from the appliance and uses it to analyze the issue, providing a fast and effective diagnosis.

- 1 Call the SIGNATURE KITCHEN SUITE Customer Information Center at:  
(U.S.A) 1-855-790-6655
- 2 Open the refrigerator door.
- 3 Hold the mouthpiece of your phone in front of the speaker that is located on the filter cover of the refrigerator, when instructed to do so by the call center.



- 4 Press and hold the **Refrigerator** button for three seconds while continuing to hold your phone to the speaker.



- 5 After you hear three beeps, release the **Refrigerator** button.
- 6 Keep the phone in place until the tone transmission has finished. The display will count down the time. Once the countdown is over and the tones have stopped, resume your conversation with the specialist, who will then be able to assist you in using the information transmitted for analysis.

#### NOTE

- For best results, do not move the phone while the tones are being transmitted.
- If the call center agent is not able to get an accurate recording of the data, you may be asked to try again.
- The Smart Diagnosis™ function depends on the local call quality.
- Bad call quality may result in poor data transmission from your phone to the call center, which could cause Smart Diagnosis™ to malfunction.

### Smart Diagnosis™

Use the Smart Diagnosis feature in the SIGNATURE KITCHEN SUITE application for help diagnosing issues with the appliance without the assistance of the SIGNATURE KITCHEN SUITE Customer Information Center.

Follow the instructions in the SIGNATURE KITCHEN SUITE application to perform a Smart Diagnosis using your smartphone.

#### NOTE

- Smart Diagnosis™ cannot be activated unless the appliance can be turned on using the **Power** button. If the appliance cannot be turned on, troubleshooting must be done without using Smart Diagnosis™.

## FCC Notice

The following notice covers the transmitter module contained in this product.

This equipment has been tested and found to comply with the limits for a Class B digital device, pursuant to Part 15 of the FCC Rules and also Part 18 of the FCC Rules. These limits are designed to provide reasonable protection against harmful interference in a residential installation. This equipment generates, uses, and can radiate radio frequency energy and, if not installed and used in accordance with the instructions, may cause harmful interference to radio communications. However, there is no guarantee that interference will not occur in a particular installation. If this equipment does cause harmful interference to radio or television reception, which can be determined by turning the equipment off and on, the user is encouraged to try to correct the interference by one or more of the following measures:

- Reorient or relocate the receiving antenna.
- Increase the separation between the equipment and the receiver.
- Connect the equipment to an outlet on a circuit different from that to which the receiver is connected.
- Consult the dealer or an experienced radio/TV technician for help.

This device complies with Part 15, Part 18 of the FCC Rules. Operation is subject to the following two conditions:

- 1) this device may not cause harmful interference and
- 2) this device must accept any interference received, including interference that may cause undesired operation of the device.

Any changes or modifications in construction of this device which are not expressly approved by the party responsible for compliance could void the user's authority to operate the equipment.

## FCC RF Radiation Exposure Statement

This equipment complies with FCC radiation exposure limits set forth for an uncontrolled environment. This transmitter must not be co-located or operating in conjunction with any other antenna or transmitter.

This equipment should be installed and operated with a minimum distance of 20 cm (7.8 inches) between the antenna and your body. Users must follow the specific operating instructions for satisfying RF exposure compliance.

## Industry Canada Statement (For transmitter module contained in this product)

This device complies with Industry Canada's applicable licence- exempt RSSs. Operation is subject to the following two conditions:

- 1) This device may not cause interference; and
- 2) This device must accept any interference, including interference that may cause undesired operation of the device.

Industry Canada ICES-001 Compliance Label: CAN ICES-1/NMB-1

## IC Radiation Exposure Statement

This equipment complies with IC radiation exposure limits set forth for an uncontrolled environment.

This equipment should be installed and operated with a minimum distance of 20 cm (7.8 inches) between the antenna and your body.

### NOTE

- The manufacturer is not responsible for any radio or TV interference caused by unauthorized modifications to this equipment. Such modifications could void the user's authority to operate the equipment.

Wireless LAN Module Specifications	
Model	LCW-003
Frequency Range	2412 MHz - 2462 MHz
Output Power (Max)	IEEE 802.11b: 17.56 dBm IEEE 802.11g: 25.53 dBm IEEE 802.11n: 25.29 dBm

## Open Source Software Notice Information

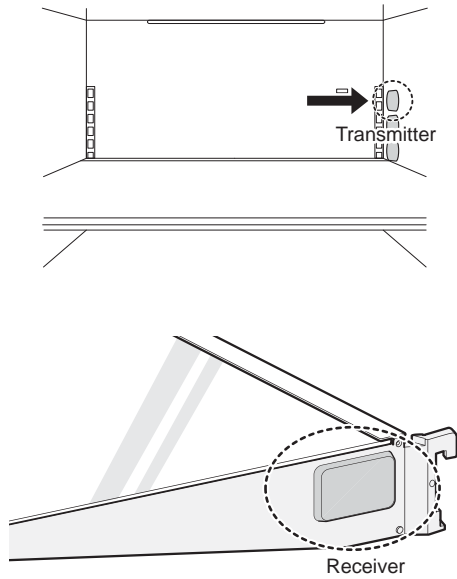
To obtain the source code under GPL, LGPL, MPL, and other open source licenses, that is contained in this product, please visit <http://opensource.signaturekitchensuite.com>.

In addition to the source code, all referred license terms, warranty disclaimers and copyright notices are available for download.

SIGNATURE KITCHEN SUITE will also provide open source code to you on CD-ROM for a charge covering the cost of performing such distribution (such as the cost of media, shipping, and handling) upon email request to [opensource@signaturekitchensuite.com](mailto:opensource@signaturekitchensuite.com).

This offer is valid for a period of three years after our last shipment of this product. This offer is valid to anyone in receipt of this information.

Wireless Power Transfer Specifications	
Frequency	330 kHz ~ 370 kHz
Rated voltage	DC 12 V
Delivered power	Less than and equal to 3 W per shelf
Transmission mode	Electromagnetic induction mode

**NOTE**

- Foreign objects and dirt between the right side of the shelf and the inner cabinet wall could prevent the shelf light from turning on.
- The shelf light turns on when the door is opened.
- The shelf light turns off after seven minutes or when the door is closed.

# MAINTENANCE

## Cleaning

### **⚠ WARNING**

- Use non-flammable cleaner. Failure to do so can result in fire, explosion, or death.

### **⚠ CAUTION**

- Do not use an abrasive cloth or sponge when cleaning the interior and exterior of the refrigerator.
- Do not place your hand on the bottom surface of the refrigerator when opening and closing the doors.

## General Cleaning Tips

- The refrigerator defrosts automatically; however, clean it once a month to prevent odors.
- Wipe up spills immediately.
- Unplug the refrigerator or disconnect power before cleaning.
- Remove all removable parts, such as shelves.
- Use a clean sponge or soft cloth and a mild detergent in warm water. Do not use abrasive or harsh cleaners.
- Hand wash, rinse and dry all surfaces thoroughly.
- When cleaning the inside or outside of the appliance, do not wipe it with a rough brush, toothpaste, or flammable materials. Do not use cleaning agents containing flammable substances.
  - Doing so may cause discoloration or damage to the appliance.
  - Flammable substances: alcohol (ethanol, methanol, isopropyl alcohol, isobutyl alcohol, etc.), thinner, bleach, benzene, flammable liquid, abrasive, etc.

## Inside Walls

To help remove odors, wash the inside of the refrigerator with a mixture of baking soda and warm water. Mix 2 tablespoons of baking soda to 1 quart of water (26 g soda to 1 liter water.) Be sure the baking soda is completely dissolved so it does not scratch the surfaces of the refrigerator.

## Door Liners and Gaskets

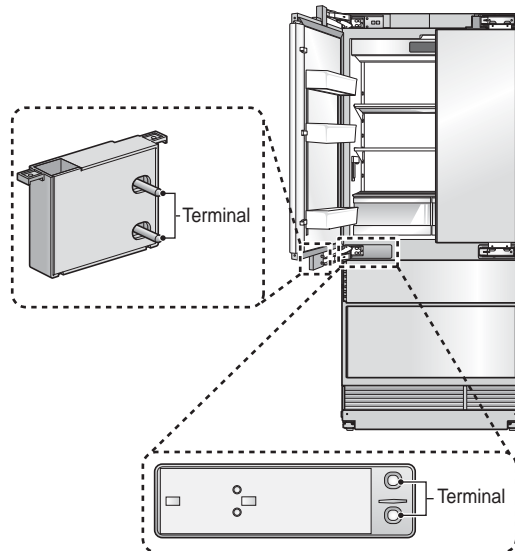
Use a clean sponge or soft cloth and a mild detergent in warm water. Do not use cleaning waxes, concentrated detergents, bleaches, or cleaners containing petroleum on plastic refrigerator parts.

## Plastic Parts (covers and panels)

Use a clean sponge or soft cloth and a mild detergent in warm water. Do not use glass cleaners, abrasive cleansers, or flammable fluids. These can scratch or damage the material.

## Mullion Heater Terminals

Use a clean sponge or soft cloth. Do not use glass cleaners, abrasive cleansers, water, or flammable fluids. These can damage the terminals.



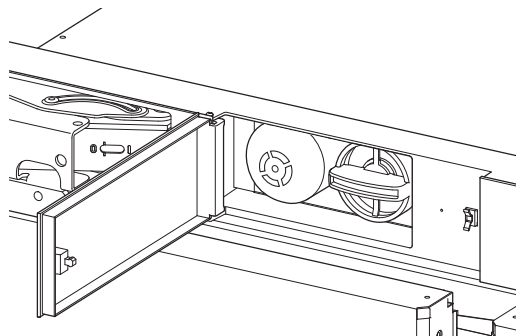
### **⚠ CAUTION**

- Use a clean sponge or soft cloth only. Failure to do so can result in fire, explosion, or death.

# Replacing the Water Filter

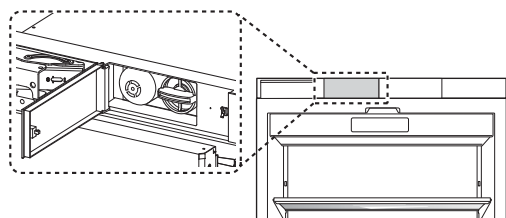
Replace the Water Filter :

- Approximately every six months.
- When the **Replace Filter**  icon turns on.
- When the icemaker output decreases.



## 1 Remove the old water filter.

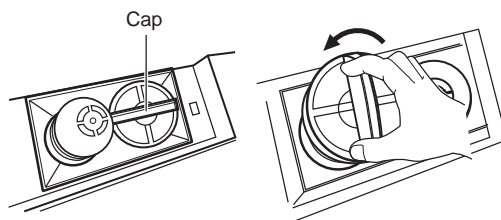
Push to open the water filter cover at the top right of the refrigerator.



### NOTE

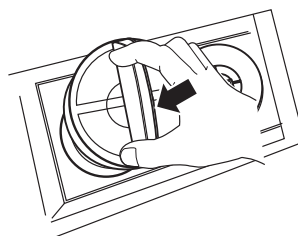
- Replacing the water filter causes a small amount of water (around 1 oz. or 25 cc) to drain.
- Wrap a cloth around the front end of the water filter cover to collect any leaking water. Hold the water filter upright, once it is removed, to prevent any remaining water from spilling out of the water filter.

- Put the cap on the water filter, then grasp and rotate it counterclockwise to remove the water filter from the filter head.

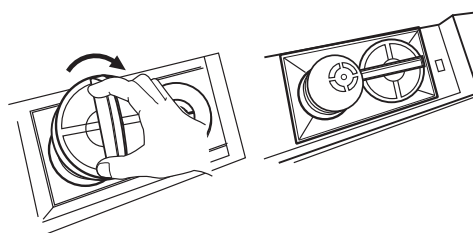


## 3 Replace with a new water filter.

Take the new water filter out of its packing and remove the protective cover from the o-rings. Put the cap on the new water filter, then push it into the manifold hole until it stops.



- Grasp and rotate cap clockwise until it stops. Replace the cap to the side of the water filter.

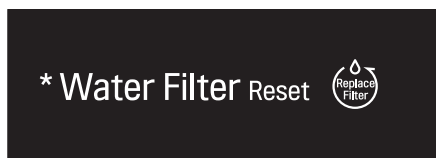


- After the water filter is replaced, dispense 2.5 gallons of water (flush for approximately 5 minutes) to remove trapped air and contaminants from the system.

### NOTE

- Do not dispense the entire 2.5 gallon amount continuously. Press and release the dispenser pad for cycles of 30 seconds ON and 60 seconds OFF.

- 6** After changing the filter, press and hold the **Water Filter Reset** button for three seconds to reset the indicator light.



### NOTE

#### To purchase a replacement water filter:

- Visit your local dealer or distributor
- Web : Find Parts & Accessories from Support section of [signaturekitchensuite.com](http://signaturekitchensuite.com)
- Call : 1-855-790-6655 (USA)

#### For further assistance, call: 1-855-790-6655 (USA)

- Use replacement cartridge:  
**LT1000P-S (ADQ74793506)**

**Performance Data Sheet**

**Model: LT1000P-S**

**NSF System Trade Name Code : MDJ64844601**

The concentration of the indicated substances in water entering the system was reduced to a concentration less than or equal to the permissible limit for water leaving the system as specified in NSF/ANSI Standard 42, Standard 53 and Standard 401.



System tested and certified by NSF International against NSF/ANSI Standard 42, Standard 53 and Standard 401 for the reduction of substances listed below.

ENGLISH

Substance Reduction	Average Influent Challenge	NSF specified Challenge Concentration	Avg % Reduction	Average Product Water Concentration	Max Permissible Product Water Concentration	NSF Reduction Requirements
Chlorine Taste and Odor	2.0 µg/L	2.0 µg/L ± 10%	>97.5%	0.050 µg/L	N/A	≥ 50.00%
Nominal Particulate Class I, , ≥ 0.5 to < 1.0 µm	12,000,000 pts/mL	At least 10,000 particles/mL	99.80%	24,000 pts/ml	N/A	≥ 85.00%
Asbestos	180 MFL	10 <sup>7</sup> to 10 <sup>8</sup> MFL; fibers greater than 10 µg/Lin length	>99.00%	< 1 MFL	N/A	≥ 99.00%
Atrazine	8.5 µg/L	9.0 µg/L ± 10%	>94.10%	0.500 µg/L	3.0 µg/L	NA
Benzene	15.0 µg/L	15.0 µg/L ± 10%	>96.60%	0.510 µg/L	5.0 µg/L	NA
Carbofuran	74.0 µg/L	80.0 µg/L ± 10%	98.30%	1.258 µg/L	40 µg/L	NA
Lindane	1.9 µg/L	2.0 µg/L ± 10%	>99.00%	0.019 µg/L	0.2 µg/L	NA
P-Dichlorobenzene	230.0 µg/L	225.0 µg/L ± 10%	>99.80%	0.460 µg/L	75.0 µg/L	NA
2,4-D	210.0 µg/L	210.0 µg/L ± 10%	>99.90%	0.210 µg/L	70.0 µg/L	NA
Lead pH @6.5	140.0 µg/L	150.0 µg/L ± 10%	99.60%	0.560 µg/L	10.0 µg/L	NA
Lead pH @8.5	150.0 µg/L	150.0 µg/L ± 10%	>99.70%	<0.500 µg/L	10.0 µg/L	NA
Mercury @ pH 6.5	5.9 µg/L	6.0 µg/L ± 10%	91.00%	0.531 µg/L	2.0 µg/L	NA

(Continued on next page)

Substance Reduction	Average Influent Challenge	NSF specified Challenge Concentration	Avg % Reduction	Average Product Water Concentration	Max Permissible Product Water Concentration	NSF Reduction Requirements
Mercury @ pH 8.5	5.6 µg/L	6.0 µg/L ± 10%	92.5%	0.420 µg/L	2.0 µg/L	NA
Cyst*	100,000 cysts/L	Minimum 50,000 cysts/L	>99.99%	10 cysts/L	N/A	≥ 99.95%
Atenolol	240 ng/L	200 ± 40% ng/L	> 95.50%	10.80 ng/L	30 ng/L	NA
Carbamazepine	1600 ng/L	1400 ± 40% ng/L	98.40%	25.60 ng/L	200 ng/L	NA
DEET	1600 ng/L	1400 ± 40% ng/L	97.10%	46.40 ng/L	200 ng/L	NA
Trimethoprim	170 ng/L	140 ± 40% ng/L	>96.80%	5.44 ng/L	20 ng/L	NA
Linuron	160 ng/L	140 ± 40% ng/L	>96.60%	5.44 ng/L	20 ng/L	NA
Phenytoin	200 ng/L	200 ± 40% ng/L	>94.80%	10.40 ng/L	30 ng/L	NA
Ibuprofen	400 ng/L	400 ± 40% ng/L	>94.50%	22.00 ng/L	60 ng/L	NA
Naproxen	140 ng/L	140 ± 40% ng/L	>96.10%	5.46 ng/L	20 ng/L	NA
Estrone	120 ng/L	140 ± 40% ng/L	>96.10%	4.68 ng/L	20 ng/L	NA
Bisphenol A	2000 ng/L	2000 ± 40% ng/L	>98.90%	22.00 ng/L	300 ng/L	NA
Nonyl Phenol	1600 ng/L	1400 ± 40% ng/L	>97.10%	46.40 ng/L	200 ng/L	NA

- Based on the use of *Cryptosporidium parvum* oocysts.



Application Guidelines/Water Supply Parameters	
Service Flow	0.5 gpm (1.89 lpm)
Water Supply	Community or Private Well - Potable Water
Water Pressure	20 – 120 psi (138 – 827 kPa)
Water Temperature	33 °F – 100 °F (0.6 °C – 37.8 °C)
Capacity	200 gallons (757 liters)

It is essential that the manufacturer’s recommended installation, maintenance and filter replacement requirements be carried out for the product to perform as advertised.

**NOTE**

- While the testing was performed under standard laboratory conditions, actual performance may vary.

Replacement Cartridge: **LT1000P-S**

For replacement filters, visit your local dealer or distributor or search under “water filters” on the [signaturekitchensuite.com](http://signaturekitchensuite.com) website.

For further assistance, the SIGNATURE KITCHEN SUITE Customer Information Center is open 24 hours a day/7 days a week.

USA : 1-855-790-6655

NSF is trademark of NSF.

**! WARNING**

**To reduce the risk associated with choking:**

- Do not allow children under 3 years of age to have access to small parts during the installation of this product.

**To reduce the risk associated with the ingestion of contaminants:**

- Do not use with water that is microbiologically unsafe or of unknown quality without adequate disinfection before or after the system. Systems certified for cyst reduction may be used on disinfected water that may contain filterable cysts. EPA Establishment # 070595-MEX-001

**! CAUTION**

**To reduce the risk associated with property damage due to water leakage:**

- Read and follow Use Instructions before installation and use of this system.
- Installation and use **MUST** comply with all state and local plumbing codes.
- Do not install if water pressure exceeds 120 psi (827 kPa). If your water pressure exceeds 80 psi, you must install a pressure limiting valve. Contact a plumber if uncertain how to check your water pressure.
- Do not install where water hammer conditions may occur. If water hammer conditions exist you must install a water hammer arrester. Contact a plumbing professional if you are uncertain how to check for this condition.
- Do not install on hot water supply lines. The maximum operating water temperature of this filter system is 100 °F (37.8 °C).
- Protect filter from freezing. Drain filter when temperatures drop below 40 °F (4.4 °C).
- The disposable filter cartridge **MUST** be replaced every 6 months, at the rated capacity or if a noticeable reduction in flow rate occurs.
- Protect from freezing, remove filter cartridge when temperatures are expected to drop below 33 °F.
- Do not install systems in areas where ambient temperatures may go above 110° F (43.3 °C).
- Where a backflow prevention device is installed on a water system, a device for controlling pressure due to thermal expansion must be installed.
- Ensure all tubing and fittings are secure and free of leaks.

# TROUBLESHOOTING

## FAQs: Frequently Asked Questions

**Q: What are the best temperature settings for my freezer?**

A: The default setting for the freezer is 0° Fahrenheit (-18° Celsius). Adjust these settings as necessary to keep food at desired temperatures. Ice cream should be firm and ice cubes should not melt in the freezer. To switch the display from Fahrenheit to Celsius, press the Freezer button first to wake the display then press and hold the Freezer and Smart Grid buttons until you hear a beep and the settings in the display change.

**Q: What are the best temperature settings for my refrigerator?**

A: The default setting for the refrigerator is 37° Fahrenheit (3° Celsius). Adjust these settings as necessary to keep food at desired temperatures. To switch the display from Fahrenheit to Celsius, press the Refrigerator button first to wake the display then press and hold the Refrigerator and Smart Grid buttons until you hear a beep and the settings in the display change.

**Q: How do I adjust the temperature?**

A: Continually press the **Refrigerator or Convertible or Freezer button on the control panel until the desired temperature appears.** The numbers will cycle from highest to lowest and then return to the highest again with continuous pressing.

**Q: Why do I hear a buzzing noise from my freezer periodically?**

A: This may happen if you do not have a water source attached to your freezer and the icemaker is turned on. If you do not have a water source attached to the freezer you should turn the icemaker off on the control panel.

**Q: Why does the icemaker tray look crooked?**

A: This is a normal part of the icemaker cycle. The icemaker tray may appear level or with a slight tilt. The change in position is to assist in the freezing process.

**Q: My freezer is powered on and the controls are working, but it's not cooling and the display shows "OF" (see below). What is wrong?**

A: The freezer is in Display Mode. This mode disables cooling to save energy while the appliance is on display in a store. To restore normal operation, press Freezer button first to wake the display then press and hold the Freezer and Water Filter Reset buttons until you hear a beep and the temperature setting appears in the display. Use the same procedure to return the freezer to Display Mode, if desired.



## Before Calling for Service

Review this section before calling for service; doing so will save you both time and money.

### Cooling

Problem	Possible Cause	Solutions
<b>Refrigerator and Freezer section are not cooling.</b>	<b>The refrigerator control is set to OFF (some models).</b>	Turn the control ON. Refer to the Setting the Controls section for proper temperature settings.
	<b>Refrigerator is set to Display Mode.</b>	Display Mode allows the lights and control display to work normally while disabling cooling, to save energy while the refrigerator is on the showroom floor. See the FAQs section of this manual for instructions on how to disable Display Mode.
	<b>Refrigerator is in the defrost cycle.</b>	During the defrost cycle, the temperature of each compartment may rise slightly. Wait 30 minutes and confirm the proper temperature has been restored once the defrost cycle has completed.
	<b>Refrigerator was recently installed.</b>	It may take up to 24 hours for each compartment to reach the desired temperature.
	<b>Refrigerator was recently relocated.</b>	If the refrigerator was stored for a long period of time or moved on its side, it is necessary for the refrigerator to stand upright for 24 hours before connecting it to power.
<b>Cooling system runs too much.</b>	<b>Refrigerator is replacing an older model.</b>	Modern refrigerators require more operating time but use less energy due to more efficient technology.
	<b>Refrigerator was recently plugged in or power restored.</b>	The refrigerator will take up to 24 hours to cool completely.
	<b>The door is opened often or a large amount of food / hot food was added.</b>	Adding food and opening the door warms the refrigerator, requiring the compressor to run longer in order to cool the refrigerator back down. In order to conserve energy, try to get everything you need out of the refrigerator at once, keep food organized so it is easy to find, and close the door as soon as the food is removed. (Refer to the Food Storage Guide.)
	<b>Doors are not closed completely.</b>	Firmly push the doors shut. If they will not shut all the way, the "Doors will not close correctly or pop open" section.
	<b>Refrigerator is installed in a hot location.</b>	The compressor will run longer under warm conditions. At normal room temperatures (70 °F) expect your compressor to run about 40 % to 80 % of the time. Under warmer conditions, expect it to run even more often. The refrigerator should not be operated above 110 °F.

## Cooling

Problem	Possible Cause	Solutions
<b>Interior moisture buildup.</b>	<b>Doors are opened often or for long periods of time.</b>	When the doors are opened often or for long periods of time, warm, humid air enters the compartment. This raises the temperature and moisture level within the compartment. To lessen the effect, reduce the frequency and duration of door openings.
	<b>Doors are not closed correctly.</b>	See the "Doors will not close correctly or pop open" section.
	<b>Weather is humid.</b>	Humid weather allows additional moisture to enter the compartments when the doors are opened leading to condensation or frost. Maintaining a reasonable level of humidity in the home will help to control the amount of moisture that can enter the compartments.
	<b>Defrost cycle recently completed.</b>	During the defrost cycle, the temperature of each compartment may rise slightly and condensation may form on the back wall. Wait 30 minutes and confirm that the proper temperature has been restored once the defrost cycle has completed.
	<b>Food is not packaged correctly.</b>	Food stored uncovered or unwrapped, and damp containers can lead to moisture accumulation within each compartment. Wipe all containers dry and store food in sealed packaging to prevent condensation and frost.
<b>Food is freezing in the refrigerator compartment.</b>	<b>Food with high water content was placed near an air vent.</b>	Rearrange items with high water content away from air vents.
	<b>Refrigerator temperature control is set incorrectly.</b>	If the temperature is too cold, adjust the control one increment at a time and wait for the temperature to stabilize. Refer to the Control Panel section for more information.
	<b>Refrigerator is installed in a cold location.</b>	When the refrigerator is operated in temperature below 41°F (5°C), food can freeze in the refrigerator compartment. The refrigerator should not be operated in temperature below 55°F (13°C).
<b>Refrigerator is too warm.</b>	<b>Refrigerator was recently installed.</b>	It may take up to 24 hours for each compartment to reach the desired temperature.
	<b>The air vents are blocked.</b>	Locate air vents by using your hand to sense airflow and move all packages that block vents and restrict airflow. Rearrange items to allow air to flow throughout the compartment.

## Cooling

Problem	Possible Cause	Solutions
<b>Refrigerator is too warm.</b>	<b>Doors are opened often or for long periods of time.</b>	When the doors are opened often or for long periods of time, warm, humid air enters the compartment. This raises the temperature and moisture level within the compartment. To lessen the effect, reduce the frequency and duration of door openings.
	<b>Unit is installed in a hot location.</b>	The refrigerator should not be operated in temperatures above 110 °F.
	<b>A large amount of food or hot food was added to the compartment.</b>	Adding food warms the compartment requiring the cooling system to run. Allowing hot food to cool to room temperature before putting it in the refrigerator will reduce this effect.
	<b>Doors not closed correctly.</b>	See the Doors will not close correctly or pop open section in Parts & Features Troubleshooting.
	<b>Temperature control is not set correctly.</b>	If the temperature is too warm, adjust the control one increment at a time and wait for the temperature to stabilize.
	<b>Defrost cycle has recently completed.</b>	During the defrost cycle, the temperature of each compartment may rise slightly and condensation may form on the back wall. Wait 30 minutes and confirm the proper temperature has been restored once the defrost cycle has completed.
<b>Refrigerator is too cold.</b>	<b>Incorrect temperature control settings.</b>	If the temperature is too cold, adjust the control one increment at a time and wait for the temperature to stabilize. Refer to the Control Panel for more information.

## Parts & Features

Problem	Possible Cause	Solutions
Doors will not close correctly or pop open.	Food packages are blocking the door open.	Rearrange food containers to clear the door and door shelves.
	Ice bin, crisper cover, pans, shelves, door bins, or baskets are out of position.	Push bins all the way in and put crisper cover, pans, shelves and baskets into their correct positions. See the Operation section for more information.
	The doors were removed during product installation and not properly replaced.	Remove and replace the doors according to the installation instructions.
	Refrigerator is not leveled properly.	See Door Alignment in the installation instructions to level refrigerator.
Door is difficult to open.	The gaskets are dirty or sticky.	Clean the gaskets and the surfaces that they touch. Rub a thin coat of appliance polish or kitchen wax on the gaskets after cleaning.
	Door was recently closed.	When you open the door, warmer air enters the refrigerator. As the warm air cools, it can create a vacuum. If the door is hard to open, wait one minute to allow the air pressure to equalize, then see if it opens more easily.
Lights do not work.	LED interior lighting failure.	The refrigerator compartment lamp is LED interior lighting, and service should be performed by a qualified technician.
The interior of the refrigerator is covered with dust or soot.	The refrigerator is located near a fire source, such as a fireplace, chimney, or candle.	Make sure that the refrigerator is not located near a fire source, such as a fireplace, chimney or candle.
Condensation forms on the mullion on the left door.	The contact points or terminals for the mullion heater may be blocked by dirt.	Wipe the terminals and contact points clean using a dry cloth. (See the Maintenance section for details.)

## Noises

Problem	Possible Cause	Solutions
Clicking	The defrost control will click when the automatic defrost cycle begins and ends. The thermostat control (or refrigerator control on some models) will also click when cycling on and off.	Normal Operation
Rattling	Rattling noises may come from the flow of refrigerant, the water line on the back of the unit, or items stored on top of or around the refrigerator.	Normal Operation
	Refrigerator is not resting solidly on the floor.	Floor is weak or uneven or leveling legs need to be adjusted. See the Leveling and Door Alignment section.
	Refrigerator with linear compressor was jarred while running.	Normal Operation
Whooshing	Evaporator fan motor is circulating air through the refrigerator compartment.	Normal Operation
	Air is being forced over the condenser by the condenser fan.	Normal Operation
Gurgling	Refrigerant flowing through the cooling system.	Normal Operation
Popping	Contraction and expansion of the inside walls due to changes in temperature.	Normal Operation
Sizzling	Water dripping on the defrost heater during a defrost cycle.	Normal Operation
Vibrating	If the side or back of the refrigerator is touching a cabinet or wall, some of the normal vibrations may make an audible sound.	To eliminate the noise, make sure that the sides and back cannot vibrate against any wall or cabinet.
Dripping	Water running into the drain pan during the defrost cycle.	Normal Operation
Pulsating or high-pitched sound	Your refrigerator is designed to run more efficiently to keep your food items at the desired temperature. The high efficiency compressor may cause your new refrigerator to run longer than your old one, but it is still more energy efficient than previous models. While the refrigerator is running, it is normal to hear a pulsating or high-pitched sound.	Normal Operation

## Wi-Fi Network

Problem	Possible Cause	Solutions
<b>Your home appliance and smartphone is not connecting to the Wi-Fi network.</b>	<b>The password for the Wi-Fi that you are trying to connect to is incorrect.</b>	Find the Wi-Fi network connected to your smartphone and remove it, then register your appliance on SIGNATURE KITCHEN SUITE application.
	<b>Mobile data for your smartphone is turned on.</b>	Turn off the Mobile data of your smartphone and register the appliance using the Wi-Fi network.
	<b>The wireless network name (SSID) is set incorrectly.</b>	The wireless network name (SSID) should be a combination of English letters and numbers. (Do not use special characters.)
	<b>The router frequency is not 2.4 GHz.</b>	Only a 2.4 GHz router frequency is supported. Set the wireless router to 2.4 GHz and connect the appliance to the wireless router. To check the router frequency, check with your Internet service provider or the router manufacturer.
	<b>The router is too far from the appliance.</b>	If the distance between the appliance and the router is too great, the signal may be weak and the connection may not be configured correctly. Move the router closer to the appliance or purchase and install a Wi-Fi range extender.



# LIMITED WARRANTY

## FOR USA

Should your SIGNATURE KITCHEN SUITE ("Product") fail due to a defect in materials or workmanship under normal and proper use, during the warranty period set forth below, SIGNATURE KITCHEN SUITE will, at its option, repair or replace the Product. This limited warranty is valid only to the original retail purchaser of the Product and applies only when purchased and used within the United States including U.S. Territories.

WARRANTY PERIOD			
Refrigerator/ Freezer	Sealed System (Condenser, Dryer, Connecting Tube and Evaporator)	Compressor	
Three (3) years from the date of original retail purchase	Five (5) years from the date of original retail purchase	Five (5) years from the date of original retail purchase	Linear / Inverter Compressor Only : Parts Only for years 6-10 from the date of original retail purchase (Consumer will be charged for labor)
Parts and Labor (internal/ functional parts only)	Parts and Labor	Parts and Labor	

- Replacement products and parts are warranted for the remaining portion of the original warranty period or ninety (90) days, whichever is greater.
- Replacement products and parts may be new, reconditioned, refurbished, or otherwise factory remanufactured.
- Proof of original retail purchase specifying the Product model and date of purchase is required to obtain warranty service under this limited warranty.

**EXCEPT TO THE EXTENT PROHIBITED BY APPLICABLE LAW, ANY IMPLIED WARRANTY OF MERCHANTABILITY OR FITNESS FOR A PARTICULAR PURPOSE ON THE PRODUCT IS LIMITED IN DURATION TO THE DURATION OF THE ABOVE LIMITED WARRANTY. UNDER NO CIRCUMSTANCES SHALL SIGNATURE KITCHEN SUITE OR ITS U.S. DISTRIBUTORS/DEALERS BE LIABLE FOR ANY INDIRECT, INCIDENTAL, CONSEQUENTIAL, SPECIAL, OR PUNITIVE DAMAGES, INCLUDING, WITHOUT LIMITATION, LOST GOODWILL, LOST REVENUES OR PROFITS, WORK STOPPAGE, IMPAIRMENT OF OTHER GOODS, COST OF REMOVAL AND REINSTALLATION OF THE PRODUCT, LOSS OF USE, OR ANY OTHER DAMAGES WHETHER BASED IN CONTRACT, TORT, OR OTHERWISE. SIGNATURE KITCHEN SUITE'S TOTAL LIABILITY, IF ANY, SHALL NOT EXCEED THE PURCHASE PRICE PAID BY YOU FOR THE PRODUCT.**

Some states do not allow the exclusion or limitation of incidental or consequential damages or limitations on how long an implied warranty lasts, so the above exclusions or limitations may not apply to you. This limited warranty gives you specific legal rights and you may also have other rights that vary from state to state.

### THIS LIMITED WARRANTY DOES NOT COVER:

- Service trips to deliver, pick up, or install, educate how to operate, correct wiring, or correct unauthorized repairs.
- Damage or failure of the Product to perform during power failures and interrupted or inadequate electrical service.
- Damage or failure caused by leaky or broken water pipes, frozen water pipes, restricted drain lines, inadequate or interrupted water supply or inadequate supply of air.
- Damage resulting from operating the product in a corrosive atmosphere or contrary to the product owner's manual.

## 42 LIMITED WARRANTY

---

- Damage or failure to the Product caused by accidents, pests and vermin, lightning, wind, fire, floods, acts of God, or any other causes beyond the control of SIGNATURE KITCHEN SUITE.
- Damage or failure caused by unauthorized modification or alteration, or if used for other than the intended purpose.
- Damage or failure resulting from misuse, abuse, improper installation, repair, or maintenance. Improper repair includes use of parts not authorized by SIGNATURE KITCHEN SUITE. Improper installation or maintenance includes installation or maintenance contrary to the Product owner's manual or installation manual.
- Damage or failure caused by incorrect electrical current, voltage, or plumbing codes.
- Damage or failure caused by transportation and handling, including scratches, dents, chips, and/or other damage to the finish of the Product, unless such damage is reported within one (1) week of delivery.
- Damage or missing items to any display, open box, or discounted Product.
- Refurbished Product or any Product sold "As Is", "Where Is", "With all Faults", or similar disclaimer.
- Products with original serial numbers that have been removed, altered, or cannot be readily determined.
- Increases in utility costs and additional utility expenses.
- Any noises associated with normal operation.
- Use of accessories (e.g., water filters, etc.), components, or consumable cleaning products that are not authorized by SIGNATURE KITCHEN SUITE.
- Replacement of light bulbs, filters, or any consumable parts.
- When Product is used for other than normal and proper household use (e.g. commercial or industrial use, offices, and recreational facilities or vehicles) or contrary to the instructions outlined in the Product's owner's manual.
- Costs associated with removal and reinstallation of your Product for repairs.
- Shelves, door bins, drawers, handle and accessories, except for internal/functional parts covered under this limited warranty.

**The cost of repair or replacement under these excluded circumstances shall be borne by the consumer.**

TO OBTAIN WARRANTY SERVICE AND ADDITIONAL INFORMATION

Call 1-855-790-6655 and select the appropriate option from the menu.

Or visit our website at <http://www.signaturekitchensuite.com>.

Or by mail: SIGNATURE KITCHEN SUITE Customer Service P.O. Box 240007 Huntsville, AL 35813 ATTN: CIC



# MANUEL DU PROPRIÉTAIRE RÉFRIGÉRATEUR INTÉGRÉ

Veillez lire attentivement le présent manuel de l'utilisateur avant de faire fonctionner l'appareil et conservez-le à portée de la main pour le consulter en tout temps.

SKSFD3604P

[www.signaturekitchensuite.com](http://www.signaturekitchensuite.com)

# TABLE DES MATIÈRES

## 3 CARACTÉRISTIQUES DU PRODUIT

---

## 4 CONSIGNES DE SÉCURITÉ

---

4 CONSIGNES DE SÉCURITÉ IMPORTANTES

## 8 CARACTÉRISTIQUES DU PRODUIT

---

## 9 APERÇU DU PRODUIT

---

9 Intérieur

## 10 FONCTIONNEMENT

---

10 Avant l'utilisation  
11 Panneau de commande  
13 Distributeur d'eau intégré  
13 Bac à glaçons  
14 Stockage des aliments  
16 Tiroir convertible  
18 Tiroir du congélateur  
20 Compartiments de porte  
20 Réglage des tablettes  
21 Bac à légumes

## 22 FONCTIONS INTELLIGENTES

---

22 Application SIGNATURE KITCHEN SUITE  
24 Fonction Réseau intelligent  
25 Fonction Smart Diagnosis<sup>MC</sup>

## 28 ENTRETIEN

---

28 Nettoyage  
29 Remplacement du filtre à eau

## 34 DÉPANNAGE

---

34 Foire aux questions  
35 Avant d'appeler le réparateur

## 41 GARANTIE LIMITÉE

---

# CARACTÉRISTIQUES DU PRODUIT

Selon le modèle, certaines des fonctions suivantes pourraient ne pas être offertes.

## EAU FILTRÉE

Le distributeur d'eau fournit de l'eau fraîche et froide.

## AVERTISSEUR DE PORTE OUVERTE

L'avertisseur de porte ouverte est conçu pour prévenir un dysfonctionnement du réfrigérateur qui pourrait se produire si une porte demeure ouverte. Si une porte demeure ouverte pendant plus de 60 secondes, un signal sonore d'avertissement se fait entendre à des intervalles de 30 secondes.

## GLACE PLUS

La production de glace est augmentée lorsque le congélateur est maintenu à la température la plus froide pendant une période de 24 heures.


# CONSIGNES DE SÉCURITÉ

## LISEZ TOUTES LES CONSIGNES AVANT L'UTILISATION

### Il est très important d'assurer votre sécurité et celle des autres.

Nous fournissons de nombreux conseils de sécurité importants dans ce manuel et sur votre appareil. Lisez toujours l'ensemble des messages de sécurité et respectez-les.

Ceci est le symbole d'alerte de sécurité.

 Ce symbole est destiné à vous alerter des dangers potentiels pouvant entraîner la mort ou des blessures. Tous les messages de sécurité seront précédés du symbole d'alerte de sécurité et du terme AVERTISSEMENT ou MISE EN GARDE.

Voici le message que ces mots véhiculent :

### AVERTISSEMENT

Vous pouvez être tué ou grièvement blessé si vous ne suivez pas les consignes.

### MISE EN GARDE

Vous pouvez être légèrement blessé ou pouvez endommager le produit si vous ne suivez pas les consignes.

Tous les messages de sécurité vous indiqueront quel est le danger potentiel, comment réduire les risques de blessures et ce qui peut se produire en cas de non-respect des consignes.

## CONSIGNES DE SÉCURITÉ IMPORTANTES

### AVERTISSEMENTS

**Pour réduire les risques d'explosion, d'incendie, de décès, d'électrocution, de brûlure ou de blessures corporelles lors de l'utilisation de ce produit, suivez les précautions de base, y compris ce qui suit :**

**Proposition 65 de la Californie (États-Unis seulement)**

 **ATTENTION** : Cancer et problèmes reproductifs – [www.P65Warnings.ca.gov](http://www.P65Warnings.ca.gov)

## FONCTIONNEMENT

- L'appareil n'est pas conçu pour être utilisé à des fins spéciales, comme l'entreposage de médicaments ou de matériaux d'essai, ni pour être utilisé sur des bateaux, etc.
- NE permettez PAS aux enfants de grimper sur les portes ou les étagères du réfrigérateur, ni de s'y tenir ou de s'y accrocher. Ils pourraient endommager le réfrigérateur et se blesser sérieusement.
- Ne permettez pas aux enfants de grimper à l'intérieur de l'appareil. Ils pourraient demeurer coincés et suffoquer.
- La surveillance des enfants est requise afin de s'assurer qu'ils ne jouent pas avec l'appareil.
- Gardez les doigts à l'écart des points de pincement lorsque vous ouvrez ou fermez les portes. Soyez prudent lorsque vous fermez les portes de l'appareil et que des enfants se trouvent à proximité de celui-ci.
- Ne touchez pas les aliments surgelés ou les composants métalliques du congélateur si vos mains sont mouillées ou humides. Cela pourrait entraîner des gelures.
- Ne recongelez pas des aliments surgelés qui ont été complètement décongelés. Cela pourrait être dangereux pour la santé.
- Un circuit de dérivation ou un disjoncteur correctement mis à la terre est recommandé.
- N'utilisez pas de fiche d'adaptation et ne branchez pas la fiche d'alimentation électrique sur une rallonge électrique à prises multiples.
- N'utilisez pas de cordon qui présente des fissures ou des traces d'abrasion sur sa longueur ou encore à l'extrémité de la fiche ou à celle du connecteur. Demandez à un employé d'un centre de services autorisé de remplacer ou de réparer immédiatement tout cordon d'alimentation dénudé, effiloché ou autrement endommagé.
- Ne faites pas fonctionner le réfrigérateur et ne touchez pas le cordon d'alimentation si vos mains sont mouillées.
- Ne modifiez et ne prolongez pas le cordon d'alimentation.
- N'utilisez pas de prises de courant non homologuées. Ne branchez pas l'appareil sur une prise de courant murale si celle-ci est endommagée.
- Ne placez pas vos pieds ou vos mains, ou encore des objets dans les événements d'aération ou au bas du réfrigérateur. Cela pourrait causer des blessures ou provoquer une décharge électrique.
- En cas de fuite de gaz (propane, GPL), assurez-vous que les lieux sont bien ventilés et contactez un centre de services autorisé avant de remettre l'appareil en fonction. Ne touchez pas au réfrigérateur ou au bouton d'alimentation du réfrigérateur.
- Coupez l'alimentation de l'appareil immédiatement et appelez un centre de services autorisé si l'appareil émet des bruits ou des odeurs étranges ou de la fumée.
- N'utilisez pas de fusible (comme du cuivre, un fil d'acier), à l'exception d'un fusible standard.
- Ne placez pas et n'utilisez pas d'appareil électrique à l'intérieur de l'appareil, sauf s'il s'agit d'un type d'appareil recommandé par le fabricant.
- Ne placez pas d'animaux à l'intérieur de l'appareil.
- Évitez tout contact avec les pièces mobiles du mécanisme d'éjection ou avec l'élément chauffant qui libère les cubes de glace. NE placez PAS vos doigts dans la machine à glaçons automatique lorsque l'appareil est branché.
- Cet appareil n'est pas destiné à être utilisé par des personnes (y compris des enfants) ayant des capacités physiques, sensorielles ou mentales réduites, ou un manque d'expérience et de connaissances, à moins d'être sous surveillance ou d'avoir reçu des instructions concernant l'utilisation de l'appareil de la part d'une personne responsable de leur sécurité.
- En cas de branchement sur un circuit protégé par des fusibles, utilisez un fusible temporisé.

### ENTRETIEN

- N'utilisez pas de séchoir à cheveux pour sécher l'intérieur de l'appareil.
- N'allumez pas de bougie pour dissiper les odeurs à l'intérieur de l'appareil.
- Si une fuite de frigorigène survient, éloignez les objets inflammables de l'appareil. Assurez-vous que les lieux sont bien ventilés et contactez un centre de services autorisé.
- Éloignez du réfrigérateur toutes les matières et vapeurs inflammables comme l'essence.
- Cet appareil est conçu pour être utilisé à des fins domestiques et à d'autres fins de ce type, par exemple dans le coin cuisine du personnel des magasins, des bureaux et d'autres environnements de travail; dans les fermes et par les clients des hôtels, des motels et d'autres environnements de type résidentiel; dans des environnements comme les gîtes; pour des applications dans le domaine de la restauration et de la vente en gros.
- Coupez l'alimentation avant de nettoyer ou de réparer le réfrigérateur.
- L'éclairage à l'intérieur du réfrigérateur et du congélateur est un éclairage à DEL, et son entretien doit être réalisé par un technicien qualifié.
- Coupez l'alimentation immédiatement en cas de panne de courant ou d'orage.
- Éteignez l'alimentation de l'appareil si de l'eau ou de la poussière pénètre à l'intérieur de celui-ci. Appelez un agent du centre de services.
- N'entreposez pas, ne démontez pas et ne réparez pas l'appareil vous-même, et ne laissez pas un employé non qualifié le faire.
- Si le cordon d'alimentation électrique est endommagé, il ne doit être remplacé que par le fabricant, son agent d'entretien ou une personne ayant les mêmes compétences, et ce, afin d'éviter tout risque.
- Ne rangez pas de substances explosives telles que des aérosols avec un gaz propulseur inflammable dans cet appareil.

### MISE AU REBUT

- Les réfrigérateurs abandonnés sont dangereux, même si cette situation ne dure que quelques jours. Lorsque vous voulez mettre le réfrigérateur au rebut, retirez les matériaux d'emballage des portes ou retirez les portes en laissant les tablettes en place afin que les enfants ne puissent pas grimper facilement à l'intérieur de l'appareil.
- Si vous souhaitez mettre l'appareil au rebut, assurez-vous que le frigorigène a été retiré et qu'il sera éliminé de façon adéquate par un employé d'un centre de services autorisé. Si vous êtes responsable d'une fuite de frigorigène, vous pourriez devoir payer une amende ou vous pourriez être emprisonné en vertu des lois environnementales applicables.

### CONSIGNES DE MISE À LA TERRE

- Un raccordement incorrect du conducteur de mise à la terre de l'appareil peut entraîner un risque de décharge électrique. Consultez un électricien ou un technicien d'entretien qualifié si vous doutez que l'appareil soit correctement mis à la terre. Ne modifiez pas la fiche fournie avec l'appareil. Dans le cas où celle-ci ne serait pas adaptée à la prise, faites installer une prise adéquate par un électricien qualifié.
- Assurez-vous qu'un électricien qualifié examine la prise de courant murale et le câblage, et qu'il confirme que la mise à la terre est adéquate.



## MISES EN GARDE

**Pour réduire les risques de blessures mineures, de pannes ou de dommages causés à l'appareil ou à la propriété lors de l'utilisation de l'appareil, prenez les précautions élémentaires, y compris les suivantes :**

### INSTALLATION

- N'installez pas l'appareil à un endroit à partir duquel il risque de tomber.
- L'appareil doit être installé correctement, conformément aux instructions d'installation.

### FONCTIONNEMENT

- N'utilisez pas d'aérosols à proximité de l'appareil.
- L'appareil est conçu pour être utilisé seulement à des fins domestiques et à d'autres fins de ce type.
- N'appliquez pas une force excessive et ne frappez pas sur toute surface de verre. Ne touchez pas les surfaces de verre si elles sont fissurées ou endommagées.
- Ne placez pas trop d'articles ou des articles trop rapprochés les uns des autres dans les balconnets. Cela pourrait endommager les balconnets ou causer des blessures aux utilisateurs si les articles sont retirés des balconnets avec force.
- Ne placez pas une quantité excessive d'aliments dans l'appareil. Cela pourrait causer des blessures aux utilisateurs ou des dommages matériels.

### ENTRETIEN

- N'utilisez pas de puissants détergents comme de la cire ou des diluants pour nettoyer l'appareil. Nettoyez-le à l'aide d'un linge doux.
- Retirez les corps étrangers (comme la poussière et l'eau) des zones de contact et des broches de la fiche d'alimentation. N'utilisez pas un linge mouillé ou humide pour nettoyer la fiche.
- Ne vaporisez pas d'eau directement sur les surfaces intérieures ou extérieures de l'appareil.
- Ne nettoyez pas les tablettes ou les couvercles en verre avec de l'eau chaude lorsqu'ils sont froids. Une exposition à un changement brusque de température peut les endommager.

## AVERTISSEMENTS

- Maintenez libres de toute obstruction les ouvertures de ventilation qui se trouvent dans l'enceinte de l'appareil ou dans la structure intégrée.
- N'utilisez pas de dispositifs mécaniques ou d'autres moyens pour accélérer le processus de dégivrage autres que ceux recommandés par le fabricant.
- N'endommagez pas le circuit frigorifique.
- N'utilisez pas d'appareils électriques à l'intérieur des compartiments pour nourriture de l'appareil, sauf s'ils sont du type recommandé par le fabricant.
- En raison du réfrigérant et du gaz de soufflage d'isolation utilisés dans cet appareil, des procédures spéciales de mise au rebut sont nécessaires. Avant d'en disposer, veuillez consulter l'agent de service ou une autre personne qualifiée.



Cet appareil contient une petite quantité de réfrigérant isobutane (R600a); il s'agit d'un gaz naturel à haute compatibilité environnementale, mais qui est également combustible. Lors du transport et de l'installation de l'appareil, veillez à ce qu'aucune partie du circuit frigorifique ne soit endommagée. En cas de fuite du réfrigérant, celui-ci pourrait s'enflammer ou provoquer une blessure aux yeux. Si une fuite est détectée, éloignez les flammes nues ou les sources potentielles d'inflammation et aérez la pièce dans laquelle l'appareil se trouve pendant plusieurs minutes.

Afin d'éviter la formation d'un mélange d'air et de gaz inflammable en cas de fuite dans le circuit frigorifique, la taille de la pièce dans laquelle l'appareil est utilisé est déterminée selon la quantité de réfrigérant utilisée. La pièce doit avoir une taille de 1 m<sup>2</sup> pour chaque 8 g de réfrigérant R600a dans l'appareil. La quantité de réfrigérant qui se trouve dans votre appareil est indiquée sur la plaque d'identification située à l'intérieur de celui-ci. Ne mettez jamais en marche un appareil qui présente des signes de dommages. En cas de doute, consultez votre revendeur.

# GARDEZ CES CONSIGNES

## CARACTÉRISTIQUES DU PRODUIT

L'aspect et les caractéristiques énumérés dans le présent manuel peuvent varier en raison des constantes améliorations apportées au produit.

**Alimentation** : 115 V, 60 Hz

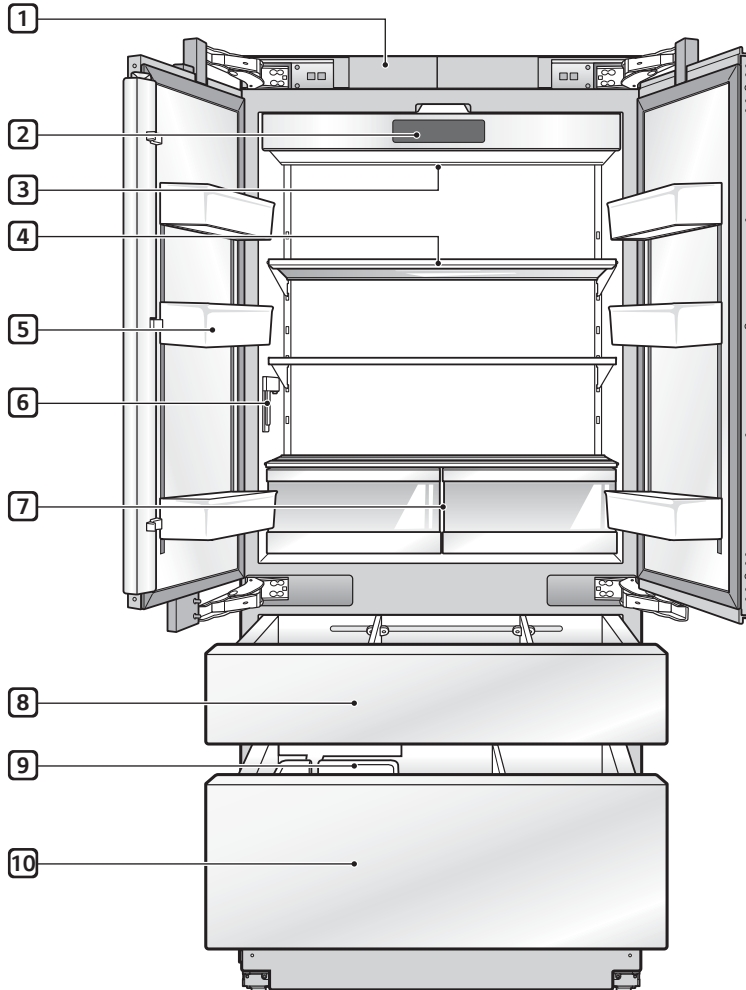
**Pression de l'eau min./max.** : 20 à 120 psi (138 à 827 kPa)

<b>Modèle SKSFD3604P</b>	
<b>Description</b>	Réfrigérateur intégré
<b>Poids net</b>	483 lb (219 kg)

# APERÇU DU PRODUIT

Les illustrations fournies dans ce manuel peuvent être différentes des composants et accessoires réels, lesquels peuvent faire l'objet de modifications par le fabricant sans avis préalable à des fins d'amélioration du produit.

## Intérieur



### 1 Filtre à eau

Purifie l'eau.

#### REMARQUE

- Le filtre doit être remplacé tous les six mois. Pour plus de détails, veuillez vous référer à la section « Remplacement du filtre à eau » qui se trouve dans ce manuel.

### 2 Panneau de commande

Règle la température du réfrigérateur et l'état du filtre à eau.

### 3 Éclairage à DEL à l'intérieur

Éclaire l'intérieur du réfrigérateur.

### 4 Tablette ajustable

Les tablettes du réfrigérateur sont ajustables pour répondre à tout type de besoins en matière de rangement.

### 5 Balconnet mobile

Permet de conserver les boissons et les aliments froids.

### 6 Distributeur d'eau intégré

### 7 Bac à légumes

### 8 Tiroir convertibles

### 9 Machine à glaçons

### 10 Tiroir du congélateur

# FONCTIONNEMENT

## Avant l'utilisation

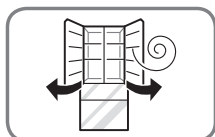


### Nettoyez le réfrigérateur.

Nettoyez le réfrigérateur à fond et enlevez toute la poussière qui s'est accumulée pendant le transport.

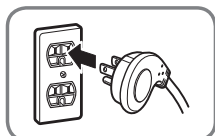
### ⚠ MISES EN GARDE

- Ne grattez pas le réfrigérateur avec un objet pointu et n'utilisez pas de détergent qui contient de l'alcool, du liquide inflammable ou une substance abrasive pour retirer le ruban adhésif ou la colle du réfrigérateur. Enlevez les résidus de colle en les essuyant avec votre pouce ou du détergent à vaisselle.
- Ne retirez pas l'étiquette du numéro de modèle ou de série ou les informations techniques sur la surface arrière du réfrigérateur.



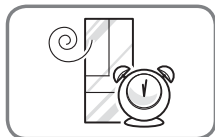
### Ouvrez la porte du réfrigérateur pour aérer l'intérieur.

L'intérieur du réfrigérateur peut dégager une odeur de plastique au début. Enlevez tout ruban adhésif de l'intérieur du réfrigérateur et ouvrez la porte du réfrigérateur à des fins de ventilation.



### Branchez l'alimentation.

Vérifiez que l'alimentation est branchée avant l'utilisation.

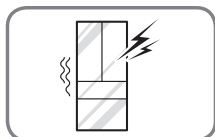


### Attendez que le réfrigérateur refroidisse.

Laissez votre réfrigérateur en marche de deux à trois heures au moins avant d'y mettre des aliments.

### ⚠ MISE EN GARDE

- Attendez que les aliments aient refroidi avant de les placer dans le réfrigérateur, sinon ils pourraient se gâter ou laisser une mauvaise odeur tenace à l'intérieur du réfrigérateur.



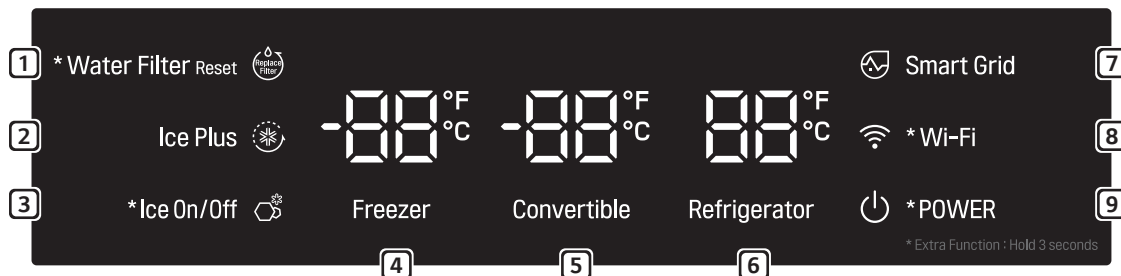
### Le réfrigérateur émet un bruit fort après la mise en marche initiale.

C'est normal. Le volume diminue à mesure que la température baisse.

## Panneau de commande

Selon le modèle, certaines des fonctions suivantes pourraient ne pas être offertes.

### Caractéristiques du panneau de commande



#### REMARQUE

- Lorsque le réfrigérateur est placé en mode d'économie d'énergie, l'écran reste éteint jusqu'à ce qu'une porte soit ouverte ou qu'une touche soit enfoncée. Une fois allumé, l'écran reste allumé pendant 20 secondes.

#### 1 \* Water Filter Reset

##### (réinitialisation du filtre à eau)

Remplacez le filtre à eau si l'icône **Replace Filter** (changer le filtre) est allumée. Après avoir remplacé le filtre à eau, maintenez enfoncée la touche Replace Filter (changer le filtre) pendant trois secondes pour éteindre la lumière de l'icône. Vous devez changer le filtre à eau environ tous les six mois.

#### 2 Ice Plus (glace plus)

Cette fonction augmente aussi bien les capacités de production de glace que de congélation.

- Appuyez sur la touche Ice Plus (glace plus) pour allumer l'icône et activer la fonction pendant 24 heures. La fonction s'éteindra automatiquement après 24 heures.
- Vous pouvez arrêter cette fonction manuellement en appuyant sur la touche une autre fois.

#### 3 \* Ice On/Off (machine à glaçons marche/arrêt)

Appuyez sur la touche **Ice On/Off** (machine à glaçons marche/arrêt) pendant trois secondes pour allumer ou éteindre la machine à glaçons.

#### 4 Freezer (congélateur)

Indique la température du compartiment du congélateur en Celsius (°C) ou en Fahrenheit (°F).

La température par défaut du congélateur est de -18 °C (0 °F).

Appuyez sur la touche Freezer (congélateur) à plusieurs reprises pour sélectionner une nouvelle température entre -24 °C et -16 °C (entre -6 °F et 8 °F).

#### 5 Convertible

Offre un espace de stockage à température variable pouvant être réglé à une température inférieure ou supérieure à celle du réfrigérateur. Conserver le Kimchi et la viande à 30 °F/-1 °C, les boissons fraîches à 33 °F/1 °C, les collations à 37 °F/3 °C ou le vin frais à 41 °F/5 °C.

Afin d'utiliser le tiroir polyvalent tel un congélateur, sélectionnez la température de votre congélateur présentement. Par exemple, si la température de votre congélateur est réglée à 0 °F, celle-ci apparaîtra sur l'afficheur universel telle une option.

Une fois le tiroir réglé en mode congélateur, sa température interne sera la même que celle du congélateur. Modifier la température du congélateur désactive le tiroir et celui-ci redeviendra en mode réfrigérateur.

#### 6 Refrigerator (réfrigérateur)

Indique la température du compartiment du réfrigérateur en Celsius (°C) ou en Fahrenheit (°F).

La température par défaut du réfrigérateur est de 3 °C (37 °F). Appuyez sur la touche **Refrigerator** (réfrigérateur) à plusieurs reprises pour sélectionner une nouvelle température entre 1 °C et 8 °C (entre 33 °F et 46 °F).

**7 Smart Grid (réseau intelligent)**

Appuyez sur la touche **Smart Grid** (réseau intelligent) pour mettre en marche ou éteindre la fonction Réseau intelligent. Lorsque la fonction est en marche, l'icône s'allume. La fonction Réseau intelligent se met automatiquement en marche lorsque le réfrigérateur est connecté à un réseau Wi-Fi.

Lorsque le réfrigérateur répond à un message de gestion de la demande (GD) de la compagnie d'électricité, le mot Grid (réseau) s'allume.

**8 \* Wi-Fi**

Lorsqu'elle est utilisée avec l'application pour téléphone intelligent SIGNATURE KITCHEN SUITE, la touche **Wi-Fi** permet au réfrigérateur de se connecter au réseau Wi-Fi de votre domicile. Consultez la section sur les fonctions intelligentes pour connaître les informations sur la configuration initiale de l'application.

L'icône **Wi-Fi** vous permet de vérifier l'état de connexion au réseau du réfrigérateur. Lorsque le réfrigérateur est connecté au réseau Wi-Fi, l'icône s'allume.

Appuyez sur la touche **Wi-Fi** et maintenez-la enfoncée pendant trois secondes pour établir la connexion au réseau. L'icône clignote lorsque la connexion est en cours, et s'allume lorsque la connexion a été établie avec succès.

**9 \* Power (alimentation)**

Le bouton d'alimentation permet de couper l'alimentation électrique de l'appareil.

Appuyez sur la touche d'alimentation et maintenez-la enfoncée pendant trois secondes pour couper l'alimentation. Lorsque l'appareil est hors tension, le témoin lumineux est éteint. Il n'est pas nécessaire de couper l'alimentation à partir du disjoncteur ou de la prise de courant murale. Utilisez cette fonctionnalité lors de l'entretien ou avant de partir pour de longues vacances.

**4 et 9 mode SABBAT**

**Le mode Sabbat est utilisé lors du Sabbat juif et des jours fériés.**

- Pour activer le mode Sabbat, appuyez sur l'écran, puis appuyez simultanément sur les boutons Freezer (congélateur) et Power (alimentation) et maintenez-les enfoncés pendant 3 secondes, jusqu'à ce que « Sb » s'affiche à l'écran.
- Le mode Sabbat s'éteint automatiquement après 96 heures.
- Pour désactiver le mode Sabbat manuellement, appuyez simultanément sur les boutons Freezer (congélateur) et Power (alimentation) et maintenez-les enfoncés pendant 3 secondes.
- Une fois activé, le mode Sabbat est maintenu même après une panne de courant.
- La sélection du mode Sabbat désactive automatiquement les fonctionnalités Éclairage et Alarme. Le distributeur est également désactivé.
- L'écran situé à l'intérieur de l'appareil reste allumé lorsque le mode Sabbat est activé, mais il n'affiche que « Sb » et les boutons Freezer (congélateur) et Power (alimentation).

**REMARQUE**

- La fonctionnalité Réseau intelligent s'éteint automatiquement en mode Sabbat. Une fois le mode Sabbat éteint, la fonctionnalité Réseau intelligent doit être de nouveau activée manuellement.

**⚠ MISES EN GARDE****Mode Présentation (pour une utilisation en magasin uniquement)**

- Le mode Présentation désactive tout refroidissement dans le réfrigérateur afin de conserver l'énergie lors de la présentation en magasin. Lorsque ce mode est activé, l'indication OF apparaît sur le panneau de commande et l'écran s'éteint après 20 secondes lorsque vous fermez la porte.

**Pour désactiver ou activer le mode Présentation :**

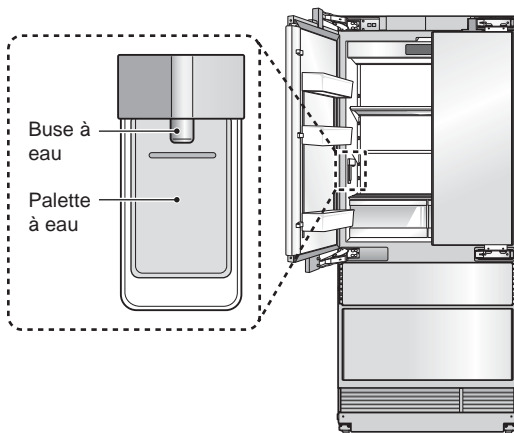
- En laissant la porte du réfrigérateur ouverte, maintenez enfoncées simultanément les touches Freezer (Congélateur) et Water Filter Reset (remplacement du filtre à eau) pendant cinq secondes. Le panneau de commande émet un signal sonore et les réglages de température s'affichent pour confirmer que le mode Présentation est désactivé. Utilisez la même procédure pour activer le mode Présentation.

## Distributeur d'eau intégré

### ⚠ MISES EN GARDE

- Gardez les enfants loin du distributeur. Ils pourraient jouer avec les commandes ou les endommager.
- Si de l'eau est distribuée de façon inattendue, coupez l'alimentation en eau et appelez le Centre d'information à la clientèle de SIGNATURE KITCHEN SUITE.
- Après l'installation, faites couler environ neuf litres d'eau (ce qui prendra environ cinq minutes) pour éliminer l'air et les contaminants du système.

### Structure du distributeur



### REMARQUES

- Pour distribuer de l'eau, appuyez sur l'interrupteur d'eau avec un verre.
- Quelques gouttes peuvent tomber après la distribution. Tenez votre tasse sous le distributeur pendant quelques secondes après la distribution pour recueillir toutes les gouttes.

## Bac à glaçons

### ⚠ MISES EN GARDE

- N'insérez ni vos mains ni vos outils dans le bac à glaçons. Ne pas respecter ces consignes peut entraîner des dommages ou des blessures.
- Jetez les premiers lots de glace produits après l'installation. Cela est également nécessaire si le congélateur n'a pas été utilisé pendant une longue période.
- Ne jamais mettre de canettes de boissons gazeuses ou autres articles dans le seau à glace dans le but de les refroidir rapidement. Ceci pourrait endommager la glacière ou les contenants pourraient exploser.

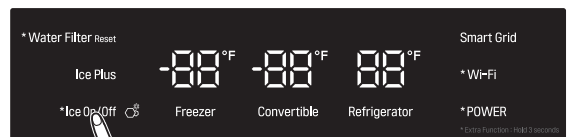
## Machine à glaçons automatique

La glacière automatique peut faire 12 cubes de glace à la fois. Cette quantité peut varier selon la température ambiante ou la fréquence à laquelle la porte est ouverte, le contenu du congélateur, etc.

- Une fois le réfrigérateur nouvellement installé, il en prend jusqu'à 12 heures pour commencer à faire de la glace.
- La glacière arrête de faire des glaçons lorsque le contenant est plein.
- Brasser à l'occasion le contenant de glace afin de mettre les glaçons à niveau. Si les cubes de glace s'empilent sur le côté du capteur d'arrêt automatique, la production de glaçons s'arrêtera.
- Pour augmenter la production de glaçons, utilisez la fonction Ice Plus. La fonction augmente les capacités de congélation ainsi que la fabrication de glaçons.

### Mise en marche et arrêt de la machine à glaçons automatique

Pour désactiver la machine à glaçons automatique, appuyez sur le bouton **On/Off (marche/arrêt)** des glaçons situé sur l'écran et maintenez-le enfoncé pendant 3 secondes.



### Les sons normaux que vous entendrez

- Si vous laissez la machine à glaçons en marche avant qu'elle soit raccordée à l'arrivée d'eau, vous risquez de l'endommager.
- La vanne d'arrivée d'eau de la machine à glaçons émettra un bourdonnement pendant le remplissage de la machine. Si la touche **Ice On/Off** (machine à glaçons marche/arrêt) est réglée sur **ON** (marche), la machine à glaçons bourdonnera même si elle n'est pas encore raccordée à une arrivée d'eau. Pour arrêter ce bourdonnement, appuyez sur la touche **Ice On/Off** (machine à glaçons marche/arrêt) pour éteindre la machine.
- Vous entendrez le son des glaçons tombant dans le bac et l'eau qui circule dans les tuyaux tandis que la machine à glaçons se remplit à nouveau.

## Préparation en vue des vacances

Réglez la touche **Ice On/Off** (machine à glaçons marche/arrêt) à OFF (arrêt) et coupez l'arrivée d'eau au congélateur.

### REMARQUES

- Le bac à glaçons doit être vidé chaque fois que la touche Ice On/Off (machine à glaçons marche/arrêt) est réglée sur OFF (arrêt).

Si la température ambiante risque de descendre sous le point de congélation, demandez à un technicien qualifié de drainer le système d'alimentation en eau pour empêcher les dégâts importants que causerait la rupture des lignes ou des conduites d'eau ou des raccordements.

## Stockage des aliments

### MISE EN GARDE

- Ne placez pas trop d'articles ou des articles trop rapprochés les uns des autres dans les balconnets. Cela pourrait endommager les balconnets ou causer des blessures aux utilisateurs si les articles sont retirés des balconnets avec force.

### REMARQUES

- Si vous quittez votre domicile pendant une courte période de temps, pour des vacances, par exemple, le réfrigérateur devrait rester allumé. Les aliments réfrigérés qui supportent la congélation se conserveront plus longtemps s'ils sont stockés dans le congélateur.
- Si vous laissez le réfrigérateur éteint pendant une période prolongée, videz-le de tous les aliments et débranchez-le. Nettoyez l'intérieur et laissez la porte ouverte pour empêcher les moisissures de se développer dans le réfrigérateur.
- Ne stockez pas d'aliments à teneur élevée en humidité dans la partie supérieure du réfrigérateur. L'humidité pourrait entrer directement en contact avec l'air froid et geler.
- Lavez les aliments avant de les stocker dans le réfrigérateur. Les fruits et les légumes doivent être lavés et l'emballage des aliments doit être essuyé pour empêcher de contaminer les aliments à proximité.
- Si le réfrigérateur est installé dans un endroit chaud et humide, l'ouverture fréquente de la porte ou le fait de stocker beaucoup de légumes dans le réfrigérateur peut provoquer de la condensation. Essuyez la condensation avec un chiffon propre ou une serviette en papier.
- Si la porte du réfrigérateur est ouverte ou fermée trop souvent, l'air chaud peut pénétrer dans le réfrigérateur et élever sa température. Cela peut aussi accroître le coût de fonctionnement de l'appareil.

## Conseils pour le stockage des aliments

Pour conserver les aliments au réfrigérateur, enveloppez-les de pellicule étanche à l'air et résistante à l'humidité ou conservez-les dans des contenants hermétiques, sauf indication contraire. Cela empêche la diffusion de l'odeur et du goût des aliments dans le réfrigérateur. Pour assurer la fraîcheur des produits périssables, vérifiez la date de péremption.

Aliment	Comment le stocker
Beurre ou margarine	Conservez le beurre dont l'emballage est ouvert dans un plat couvert ou un compartiment fermé. Lorsque vous en stockez une quantité supplémentaire, enveloppez-la dans un emballage pour congélateur et congelez le tout.
Fromage	Stockez-le dans l'emballage d'origine jusqu'au moment de le consommer. Une fois l'emballage ouvert, réemballez le fromage hermétiquement dans de la pellicule plastique ou du papier d'aluminium.
Lait	Essuyez les cartons de lait. Pour que le lait soit plus froid, placez-le sur une tablette à l'intérieur du réfrigérateur.
Œufs	Stockez-les dans la boîte d'origine sur une tablette à l'intérieur du réfrigérateur, et non dans la porte.
Fruits	Ne lavez ou pelez pas les fruits jusqu'à ce qu'ils soient prêts à être consommés. Triez les fruits et conservez-les dans leur contenant d'origine que vous placerez dans un bac à fruits et légumes ou rangez-les dans un sac en papier bien fermé sur une tablette du réfrigérateur.
Légumes à feuilles	Retirez les légumes de l'emballage du commerce, puis coupez ou déchirez les portions endommagées et décolorées. Lavez les légumes à l'eau froide et égouttez-les. Rangez-les dans un sac ou un contenant en plastique et placez-les dans le bac à fruits et légumes.
Légumes avec pelure (carottes, poivrons)	Rangez-les dans un sac ou un contenant en plastique et placez-les dans le bac à fruits et légumes.
Poisson	Congelez le poisson et les crustacés frais s'ils ne sont pas consommés le jour même de l'achat. Il est recommandé de consommer le poisson et les crustacés frais le jour même de l'achat.
Restes	Couvrez les restes de pellicule plastique ou de papier d'aluminium, ou rangez-les dans des contenants en plastique hermétiques.



## Stockage d'aliments congelés

Consultez un manuel sur les congélateurs ou un livre de recettes fiable pour plus de renseignements sur la préparation d'aliments pour la congélation ou sur les durées de conservation des aliments.

### Congélation

Votre congélateur ne pourra congeler rapidement une grande quantité de nourriture. Dans le congélateur, ne placez pas une quantité d'aliments supérieure à celle qui peut être congelée dans un délai de 24 heures (c'est-à-dire pas plus de 2 à 3 livres d'aliments par pied cube d'espace de congélateur).

Laissez suffisamment d'espace dans le congélateur pour permettre une circulation d'air autour des emballages. De plus, laissez suffisamment d'espace à l'avant de façon à pouvoir fermer la porte hermétiquement.

Les durées de conservation varieront en fonction de la qualité et du type d'aliments, du type d'emballage et de la pellicule utilisés (degré d'étanchéité à l'air et de résistance à l'humidité) et de la température de stockage. La présence de cristaux de glace dans un emballage scellé est normale. Cela signifie simplement que l'humidité dans les aliments et l'air à l'intérieur de l'emballage ont produit de la condensation, créant des cristaux de glace.

### REMARQUE

- Laisser refroidir les aliments chauds à la température ambiante pendant 30 minutes, puis emballez et congelez-les. Le fait de refroidir les aliments chauds avant de les congeler économise de l'énergie.

### Emballage

Une congélation réussie dépend d'un emballage adéquat. Lorsque vous fermez et scellez l'emballage, celui-ci ne doit pas permettre l'entrée ou la sortie d'air ou d'humidité. Autrement, l'odeur et le goût des aliments pourraient être diffusés dans le congélateur et les aliments congelés pourraient sécher.

### Emballages recommandés

- Contenants de plastique rigides avec couvercles hermétiques
- Bocaux à bords droits pour conserve/congélation
- Papier d'aluminium robuste
- Papier plastifié
- Pellicules plastifiées imperméables
- Sacs en plastique autoadhésifs de qualité pour congélateur

Suivez les instructions sur l'emballage ou le récipient pour les méthodes de congélation adéquates.

### N'utilisez pas ce qui suit :

- Papier d'emballage pour pain
- Récipients en plastique sans polyéthylène
- Récipients sans couvercles hermétiques
- Papier paraffiné ou papier d'emballage recouvert de cire pour congélation
- Papier d'emballage mince, semi-perméable

## Entreposer les aliments dans le tiroir polyvalent.

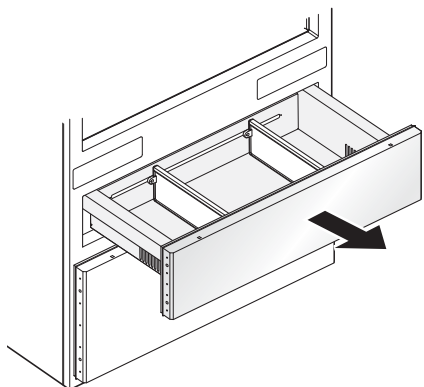
Appuyez à répétition sur le bouton Polyvalence afin de cycler jusqu'au réglage de la température. Pour de meilleurs résultats, voir la charte ci-bas.

Temp.	Articles entreposés
-6 à 8°F (-24 à -16°C)	Aliments congelés
30°F/-1°C	Viandes et fruits de mer
33°F/1°C	Boissons froides
37°F/3°C	Collations Déli
41°F/5°C	Vins

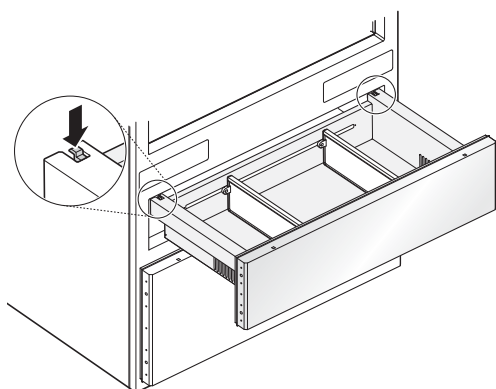
## Tiroir convertible

### Dépose du tiroir convertible

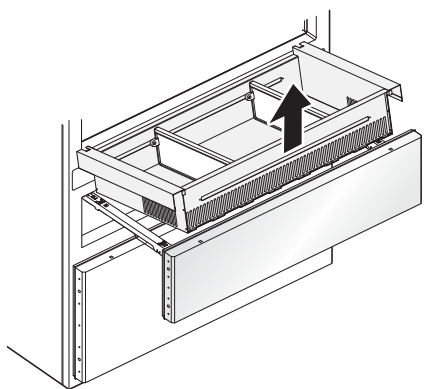
- 1 Tirez le tiroir jusqu'à ce qu'il s'arrête.  
Videz tout le contenu du tiroir avant de le retirer.



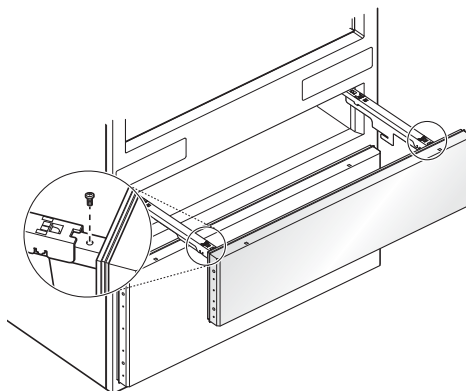
- 2 Appuyez sur le bouton et enlevez le butoir de chaque côté.



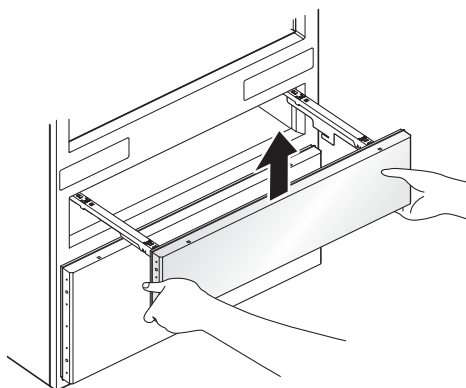
- 3 Retirez le panier en soulevant le panier du système de rails.



- 4 Retirez les vis aux deux extrémités des rails.



- 5 Maintenez les deux côtés de la porte et soulevez-la pour la retirer du système de rails.

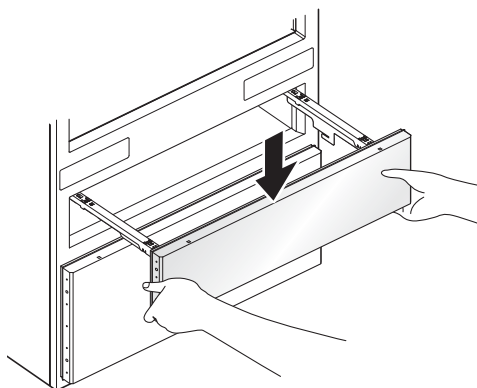


### ⚠ MISES EN GARDE

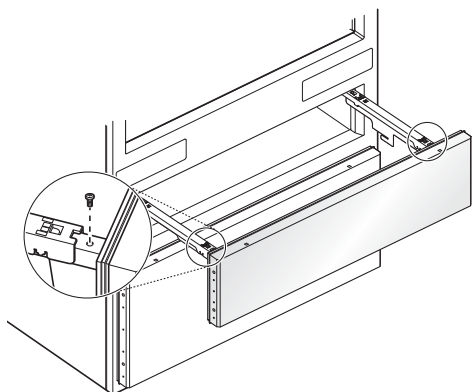
- Les tiroirs sont lourds. Veuillez toujours utiliser vos deux mains avant le retrait ou l'assemblage des tiroirs pour éviter d'endommager l'appareil ou de causer des blessures. Videz toujours les tiroirs avant de les retirer.
- Ouvrez toujours les portes du congélateur complètement avant le retrait ou l'assemblage des tiroirs.

## Assemblage du tiroir convertible

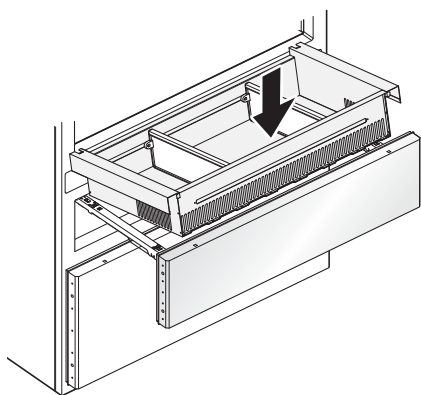
- 1 Saisissez la porte de chaque côté et abaissez-la jusqu'à ce qu'elle soit bien en place sur les rails.



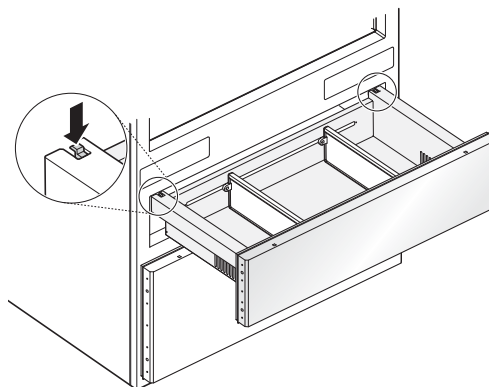
- 2 Vissez et serrez les vis aux deux extrémités des rails.



- 3 Ouvrir le tiroir au maximum.  
Abaissez le panier sur les rails.



- 4 Poussez le bouton et remplacez le butoir de chaque côté.



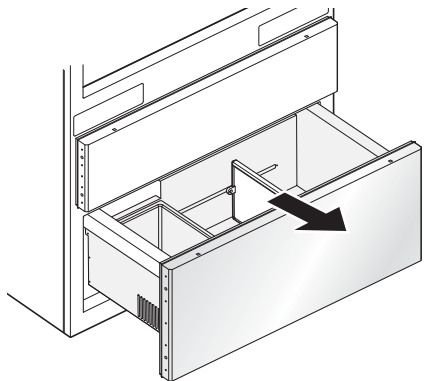
## Tiroir du congélateur

### Retrait des tiroirs du congélateur

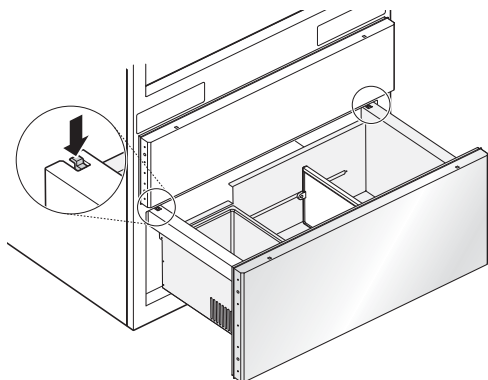
#### REMARQUE

- Avant de retirer le tiroir du congélateur, il faut retirer le tiroir convertible.

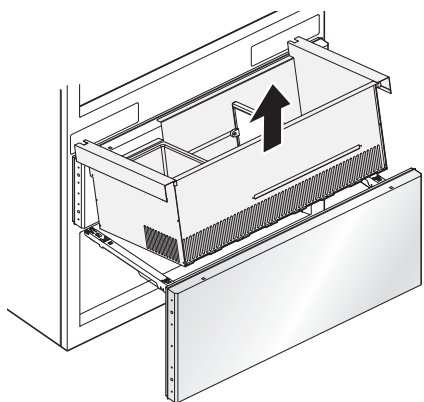
- 1 Tirez le tiroir jusqu'à ce qu'il s'arrête.  
Videz tout le contenu du tiroir avant de le retirer.



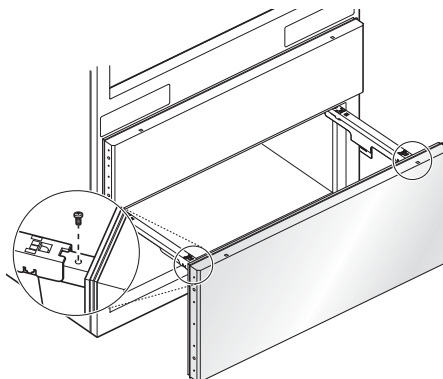
- 2 Appuyez sur le bouton et enlevez le bouton de chaque côté.



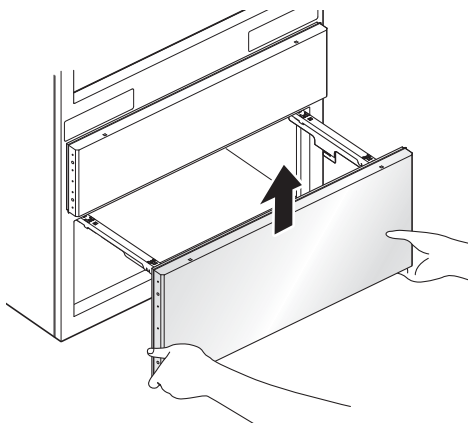
- 3 Retirez le panier en soulevant le panier du système de rails.



- 4 Retirez les vis aux deux extrémités des rails.



- 5 Maintenez les deux côtés de la porte et soulevez-la pour la retirer du système de rails.

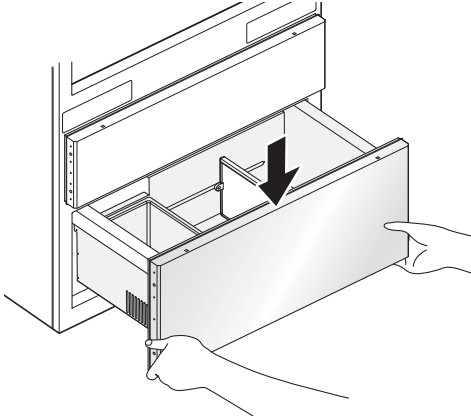


## Assemblage du tiroir du congélateur

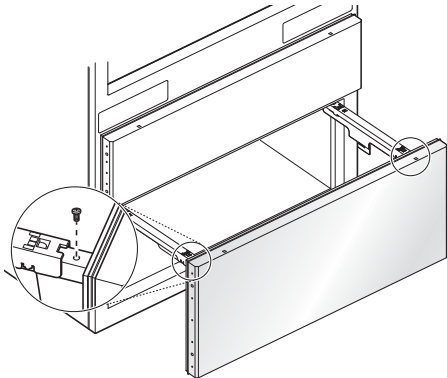
### REMARQUE

- Avant d'assembler le tiroir du congélateur, il faut retirer le tiroir convertible.

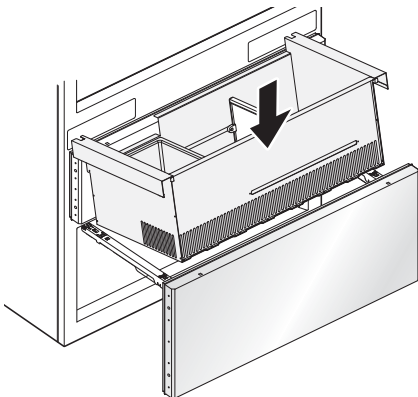
- 1 Saisissez la porte de chaque côté et abaissez-la jusqu'à ce qu'elle soit bien en place sur les rails.



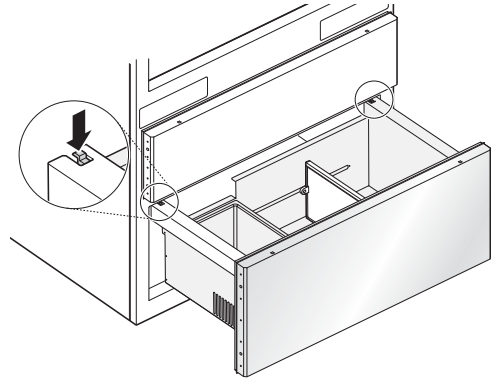
- 2 Vissez et serrez les vis aux deux extrémités des rails.



- 3 Ouvrir le tiroir au maximum. Abaissez le panier sur les rails.

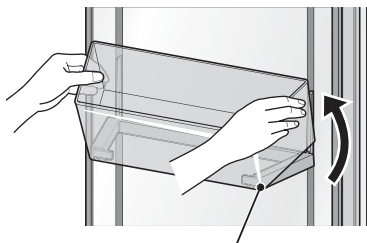


- 4 Poussez le bouton et remplacez le butoir de chaque côté.



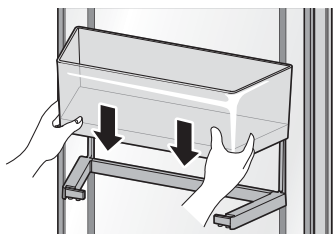
## Compartiments de porte

Pour retirer les bacs de porte, tenez le bac avec les deux mains et faites-le pivoter sur l'axe.

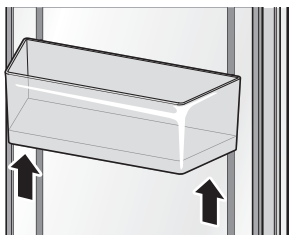


L'axe de rotation

Pour remettre en place le balconnet, alignez les deux côtés du balconnet sur les glissières et poussez le balconnet vers le bas jusqu'à ce qu'il s'enclenche.



Pour régler la position du bac, inclinez l'avant du bac et faites glisser le bac vers le haut ou vers le bas jusqu'à l'emplacement désiré.



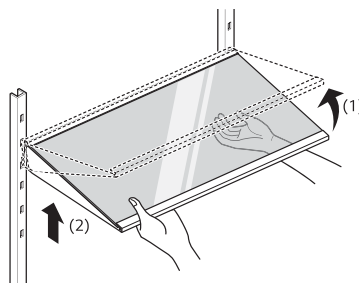
## Réglage des tablettes

Les tablettes de votre réfrigérateur sont ajustables pour répondre à vos besoins de stockage particuliers.

En réglant la hauteur des tablettes pour y placer des aliments de différentes tailles, vous retrouverez plus facilement ce que vous cherchez.

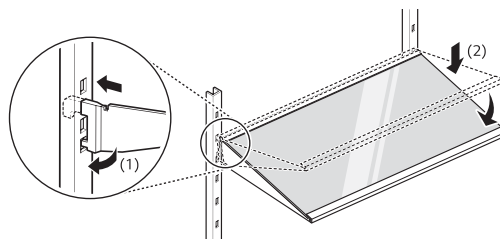
### Retrait de la tablette

- 1 Faites basculer l'avant de la tablette et soulevez-la.
- 2 Retirez-la.



### Assemblage de la tablette

- 1 Faites basculer l'avant la tablette vers le haut et guidez les crochets de la tablette dans les fentes à la hauteur désirée.
- 2 Ensuite, abaissez l'avant de la tablette afin que les crochets tombent dans les fentes.



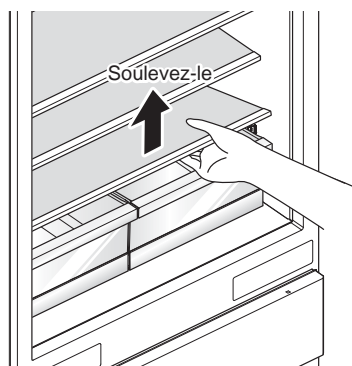
### ⚠ MISES EN GARDE

- Assurez-vous que les tablettes sont d'aplomb d'un côté à l'autre. Ne pas le faire peut provoquer la chute de la tablette ou des aliments.
- Ne nettoyez pas les tablettes en verre avec de l'eau chaude lorsqu'elles sont froides. Elles pourraient se briser si elles sont exposées à des changements brusques de température ou à des impacts.
- Les tablettes en verre sont lourdes. Soyez particulièrement prudent lorsque vous les enlevez.

## Bac à légumes

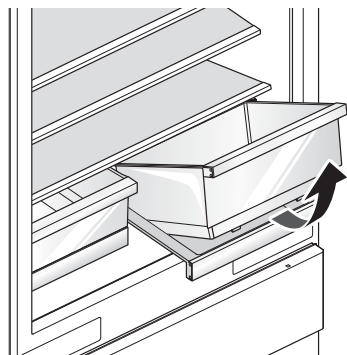
### Démontage du bac à légumes

- Relevez le bac à légumes et démontez le bac à légumes.



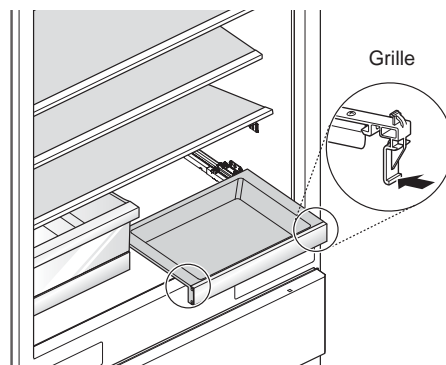
### Démontez le tiroir couvert

- Tirez le tiroir couvert jusqu'à ce qu'il s'arrête.
- Soulevez le tiroir couvert pour le démonter.



### Comment démonter le tiroir couvert

- 1 Démontez le tiroir couvert.
- 2 Tirez le tiroir couvert jusqu'à ce qu'il s'arrête.
- 3 Poussez l'étagère et soulevez le tiroir couvert (l'étagère est située sur la gauche, sur le rail du côté droit)



### ⚠ MISES EN GARDE

- Assurez-vous que le bac à légumes soit à niveau d'une extrémité à l'autre. Faute de quoi une chute du bac à légumes pourrait survenir.
- Ne nettoyez pas le verre du bac à légumes avec de l'eau chaude tant qu'il est froid. Le verre peut se briser s'il est exposé à des changements soudains de température ou un impact.
- Le bac à légumes est lourd. Prendre des précautions lors de son retrait.

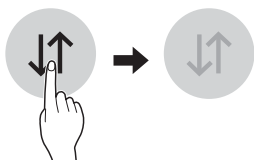
# FONCTIONS INTELLIGENTES

## Application SIGNATURE KITCHEN SUITE

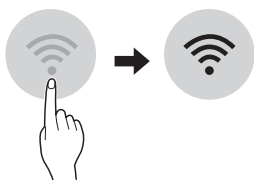
L'application SIGNATURE KITCHEN SUITE vous permet de communiquer avec l'appareil à l'aide d'un téléphone intelligent.

### Avant d'utiliser l'application


- 1 Vérifiez la puissance du signal sans fil à proximité de l'appareil.
  - Si la distance entre l'appareil et le routeur sans fil est trop grande, l'intensité du signal s'affaiblit. Cela peut prendre plus de temps pour enregistrer l'appareil ou l'installation peut échouer.
- 2 Désactivez les **données mobiles** ou les **données cellulaires** sur votre téléphone intelligent.



- 3 Connectez votre téléphone intelligent au routeur sans fil.



### REMARQUES

- Pour vérifier l'état de la connexion **Wi-Fi** , assurez-vous que l'icône Wi-Fi, qui se trouve sur le panneau de commande, est allumée.
- L'appareil prend seulement en charge les réseaux Wi-Fi de 2,4 GHz. Pour vérifier la fréquence de votre réseau, contactez votre fournisseur de services Internet ou référez-vous au manuel de votre routeur sans fil.
- L'application SIGNATURE KITCHEN SUITE n'est pas responsable des problèmes de connexion au réseau, ni des pannes, défaillances ou erreurs causées par la connexion au réseau.
- L'environnement sans fil environnant peut faire en sorte que le service de réseau sans fil fonctionne lentement.
- Si l'appareil ne parvient pas à se connecter au réseau Wi-Fi, c'est peut-être parce qu'il est trop éloigné du routeur. Achetez un répéteur Wi-Fi (amplificateur de fréquences) pour accroître la force du signal Wi-Fi.
- La connexion réseau peut ne pas fonctionner correctement selon le fournisseur de services Internet.
- La connexion Wi-Fi peut ne pas se faire ou être interrompue à cause de l'environnement du réseau domestique.
- Si l'appareil ne peut pas être enregistré en raison de problèmes avec la transmission du signal sans fil, débranchez le routeur et attendez environ une minute avant de le remettre en marche et de réessayer.
- Si le pare-feu de votre routeur sans fil est activé, désactivez-le ou ajoutez-y une exception.
- Le nom du réseau sans fil (SSID) doit être une combinaison de lettres et de chiffres anglais. (N'utilisez pas de caractères spéciaux.)
- L'interface utilisateur (IU) du téléphone intelligent peut varier en fonction du système d'exploitation (SE) mobile et du fabricant.
- Si le protocole de sécurité du routeur est configuré pour le WEP, vous pourriez avoir à le changer pour le WPA2 afin de réussir à enregistrer le produit.



## Installation de l'application SIGNATURE KITCHEN SUITE

À partir d'un téléphone intelligent, cherchez l'application SIGNATURE KITCHEN SUITE dans la boutique Google Play ou l'App Store d'Apple. Suivez les directives pour télécharger et installer l'application.

### REMARQUE

- Si vous choisissez la connexion simple pour accéder à l'application SIGNATURE KITCHEN SUITE, vous devrez passer par le processus d'enregistrement de l'appareil chaque fois que vous changez de téléphone intelligent ou que vous réinstallez l'application.

## Caractéristiques de l'application SIGNATURE KITCHEN SUITE

### Gestion des aliments

Cette fonction vous permet de savoir quels aliments se trouvent dans votre réfrigérateur et votre congélateur, vous avertit lorsqu'ils approchent de la date limite de consommation, génère des listes d'épicerie et envoie des liens vers des recettes.

### Surveillance de la consommation d'énergie

Cette fonction permet de suivre la consommation énergétique du réfrigérateur ainsi que le nombre de fois où la porte est ouverte.

### Messages automatiques

Si la porte reste ouverte pendant plus de dix minutes, vous recevrez un message automatisé. Lorsque la fonction Ice Plus (glace plus) est terminée, vous recevrez aussi un message automatisé.

### Smart Diagnosis<sup>MC</sup>

Cette fonction fournit des renseignements utiles pour diagnostiquer et résoudre les problèmes avec l'appareil en se basant sur le profil d'utilisation.

### Paramètres

Vous permet de régler diverses options du réfrigérateur et de l'application.

### REMARQUES

- Si vous changez de routeur sans fil, de fournisseur de services Internet ou de mot de passe après l'enregistrement de l'appareil, veuillez le supprimer de l'application SIGNATURE KITCHEN SUITE dans **Paramètres** → **Modifier le produit** et l'enregistrer de nouveau.
- Ces renseignements étaient à jour au moment de la publication du présent manuel. L'application est sujette à des modifications à des fins d'amélioration du produit, et ce, sans que l'utilisateur en soit préalablement avisé.

## Fonction Réseau intelligent

Lorsque le réfrigérateur est en mode Réseau intelligent, la fonction Réfrigérateur intelligent peut contrôler l'utilisation de l'énergie ou retarder la mise en marche de certaines fonctions afin d'économiser l'énergie durant les périodes de pointe.

- Vous pouvez annuler la fonction Réseau intelligent en tout temps (au moyen de la touche ou de l'application **Smart Grid** (réseau intelligent)).
- Pour utiliser la fonction Réseau intelligent, vous devez enregistrer votre appareil auprès de votre fournisseur d'électricité.

## Fonctionnalités de l'application Réseau intelligent

### Économie intelligente\_Gestion de la demande

Vous pouvez réduire l'utilisation énergétique en fonction des signaux de gestion de la demande (GD) provenant de la société de services publics. Si le réfrigérateur est en mode d'économie intelligente selon les signaux de gestion de la demande, vous verrez apparaître une fenêtre.

### Économie d'énergie en saison

Réduisez la consommation selon la période de l'année.

## Utilisation de la fonction Réseau intelligent

Cette fonctionnalité répond aux notifications envoyées par votre fournisseur d'électricité pour exécuter les tâches consommant beaucoup d'électricité pendant les heures creuses, lorsque la demande est moins élevée. Ces notifications sont appelées « signaux de gestion de la demande ».

Si le réfrigérateur reçoit un signal de gestion de la demande de la part du fournisseur d'électricité, il allume le voyant Grid (réseau) sur l'écran et contrôle sa consommation d'énergie en fonction du signal.

Le réfrigérateur répondra aux signaux reçus aussi longtemps qu'il pourra maintenir son efficacité.

Si le réfrigérateur reçoit un signal de gestion de la demande, il fonctionnera en mode DAL (charge différée) ou TALR (réduction temporaire de la charge).

### Charge différée (DAL)

Le réfrigérateur répondra à un signal DAL en réduisant de façon modérée la charge pour la durée de la période indiquée.

Ce mode contrôle les fonctions énergivores telles que l'ajustement du système de refroidissement, le dégivrage et la fabrication de la glace.

- Lorsque le réfrigérateur est en mode DAL, le voyant Grid (réseau) est allumé sur l'écran du réfrigérateur.
- Le mode DAL est automatiquement désactivé à la fin de la période indiquée par le signal DAL (max. de 4 heures) ou lorsque vous annulez la fonction Réseau intelligent.

## Réduction temporaire de la charge de l'appareil (TALR)

Le réfrigérateur réagit à un signal TALR en diminuant fortement la charge pendant une courte période, soit généralement 10 minutes. Ce mode permet de réduire la consommation d'énergie en arrêtant le compresseur et en contrôlant les fonctionnalités qui consomment beaucoup d'énergie, telles que le cycle de décongélation et le ventilateur.

- Lorsque le réfrigérateur est en mode TALR, le voyant Grid (réseau) est allumé sur l'écran du réfrigérateur.
- Le mode TALR est automatiquement désactivé après l'écoulement de la durée établie (10 minutes max) ou lorsque vous ignorez la fonction Réseau intelligent. Ce mode est automatiquement désactivé et le réfrigérateur est ramené à son état normal si vous ouvrez ou fermez une porte ou si le distributeur est utilisé.

## Annulation du mode Réseau intelligent

Si vous voulez que le réfrigérateur ignore le signal de gestion de la demande de votre fournisseur d'électricité, vous pouvez annuler la fonction Réseau intelligent en appuyant sur la touche **Smart Grid** (réseau intelligent) pendant que le réfrigérateur fonctionne en mode Réseau intelligent.

Lorsque vous ignorez la fonction Réseau intelligent, le réfrigérateur ne tient pas compte du signal de gestion de la demande et il n'est alors plus contrôlé par votre fournisseur d'électricité, et ce, jusqu'à l'envoi du prochain signal de gestion de la demande. Vous pouvez également ignorer la fonction Réseau intelligent à l'aide de l'application du téléphone intelligent.

## API ouverte de SIGNATURE KITCHEN SUITE

Vous pouvez gérer les fonctions Réseau intelligent du réfrigérateur SIGNATURE KITCHEN SUITE.

Veillez consulter la page de notification à l'adresse [www.signaturekitchensuite.com](http://www.signaturekitchensuite.com) pour plus de détails.

### Liste des API

Réponse à la demande

- Envoyer un signal de réponse à la demande

Mode écoénergétique

- Régler le mode écoénergétique
- Obtenir l'horaire (programme) du DR/report de dégivrage

Surveillance de la consommation d'énergie

- Obtenir l'événement d'ouverture de porte
- Obtenir la consommation d'énergie

Reporter la fonction de dégivrage

- Insérer un événement programmé de report du dégivrage
- Mettre à jour un événement programmé de report du dégivrage
- Annuler un événement programmé de report du dégivrage
- Obtenir le programme du report de dégivrage

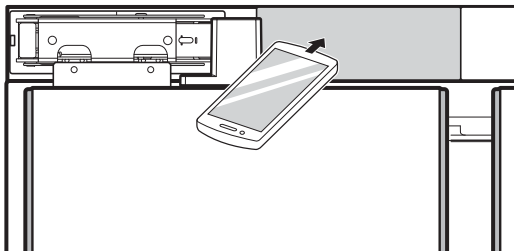
## Fonction Smart Diagnosis<sup>MC</sup>

Sachez que si vous éprouvez des problèmes avec votre électroménager, celui-ci a la capacité de transmettre des données au centre d'information SIGNATURE KITCHEN SUITE par l'intermédiaire de votre téléphone. Les modèles équipés de la technologie NFC ou du Wi-Fi peuvent également transmettre des données à un téléphone intelligent à l'aide de l'application SIGNATURE KITCHEN SUITE.

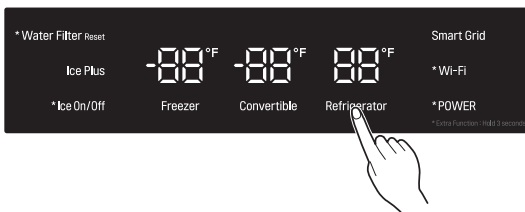
### Smart Diagnosis<sup>MC</sup> – diagnostic par le Centre d'information à la clientèle

Cette méthode vous permet de parler directement à l'un de nos spécialistes formés. Le spécialiste enregistre les données transmises par l'appareil et les utilise pour analyser le problème, fournissant ainsi un diagnostic rapide et efficace.

- 1 Appelez le Centre d'information à la clientèle de SIGNATURE KITCHEN SUITE au : (É.-U.) 1 855 790-6655
- 2 Ouvrez la porte du réfrigérateur.
- 3 Approchez le microphone de votre téléphone devant le haut-parleur situé sur le couvercle du filtre du réfrigérateur lorsque le spécialiste du Centre d'information à la clientèle vous le demandera.



- 4 Maintenez enfoncée la touche **Refrigerator** (réfrigérateur) pendant trois secondes tout en tenant votre téléphone devant le haut-parleur.



- 5 Après avoir entendu les trois signaux, relâchez la touche **Refrigerator** (réfrigérateur).
- 6 Gardez le téléphone en place jusqu'à la fin de la transmission sonore. Un compte à rebours s'affichera à l'écran. Lorsque le décompte est terminé et que vous n'entendez plus les tonalités, reprenez votre conversation avec le spécialiste, qui sera alors en mesure de vous aider grâce à l'information transmise aux fins d'analyse.

### REMARQUES

- Pour obtenir les meilleurs résultats, évitez de bouger le téléphone pendant la transmission sonore.
- Si l'agent du centre de service n'a pas pu obtenir un enregistrement exact des données, il se peut qu'il vous demande d'essayer de nouveau.
- La fonction Smart Diagnosis<sup>MC</sup> dépend de la qualité de l'appel local.
- Une mauvaise télécommunication peut entraîner une piètre transmission de données entre votre téléphone et le centre d'appels, de sorte que le Smart Diagnosis<sup>MC</sup> risque de ne pas fonctionner correctement.

### Smart Diagnosis<sup>MC</sup>

Utilisez la fonction Smart Diagnosis de l'application SIGNATURE KITCHEN SUITE pour vous aider à diagnostiquer les problèmes avec l'appareil sans l'assistance du Centre d'information à la clientèle SIGNATURE KITCHEN SUITE.

Suivez les instructions de l'application SIGNATURE KITCHEN SUITE pour effectuer un diagnostic intelligent à l'aide de votre téléphone intelligent.

### REMARQUE

- La fonction Smart Diagnosis<sup>MC</sup> ne peut être activée que si l'appareil peut être mis sous tension à l'aide de la touche **Power** (alimentation). Si l'appareil ne peut pas être mis sous tension, le dépannage doit être effectué sans utiliser la fonction Smart Diagnosis<sup>MC</sup>.

## Renseignements relatifs à la réglementation FCC

L'avis suivant couvre le module de transmetteur se trouvant dans le produit.

Cet appareil a été testé et jugé conforme aux limites imposées aux sections 15 et 18 de la réglementation de la FCC concernant un appareil numérique de classe B. Ces limites visent à fournir une protection raisonnable contre les interférences nuisibles dans un environnement résidentiel. Cet appareil génère, utilise et peut irradier de l'énergie de radiofréquences; s'il n'est pas installé et utilisé conformément aux instructions, il peut produire des interférences nuisibles aux radiocommunications. Toutefois, rien ne garantit que des interférences ne seront pas produites dans un environnement donné. Si cet appareil génère des interférences nuisibles pour la réception de la radio ou de la télévision, ce qui peut être vérifié en éteignant puis en rallumant l'appareil, l'utilisateur est invité à essayer de corriger ces interférences à l'aide de l'une des mesures suivantes :

- Réorienter ou déplacer l'antenne de réception.
- Augmenter la distance entre l'appareil et le récepteur.
- Brancher l'appareil sur une prise électrique d'un circuit différent de celui sur lequel le récepteur est branché.
- Contacter le détaillant ou un technicien qualifié en entretien et en réparation de matériel audio-vidéo.

Cet appareil est conforme aux limites imposées aux sections 15 et 18 de la réglementation de la FCC. L'exploitation est soumise aux deux conditions suivantes :

- 1) cet appareil ne doit pas provoquer d'interférences nuisibles;
- 2) cet appareil doit accepter toutes les interférences, y compris celles pouvant entraîner son dysfonctionnement.

Les modifications dans la conception de cet appareil qui ne sont pas expressément approuvées par l'autorité responsable de la conformité pourraient annuler l'autorisation accordée à l'utilisateur de faire fonctionner l'équipement.

## Énoncé de la FCC sur l'exposition aux rayonnements RF

Cet appareil est conforme aux limites de la FCC en ce qui concerne l'exposition aux rayonnements établies pour un environnement non contrôlé. Cet émetteur ne doit pas être colocalisé ni utilisé conjointement avec tout autre émetteur ou antenne.

Cet appareil doit être installé et utilisé de façon à maintenir une distance minimale de 20 cm (7,8 po) entre l'antenne et les utilisateurs. Les utilisateurs doivent respecter les directives d'utilisation afin de satisfaire aux critères en matière d'exposition aux rayonnements RF.

## Énoncé d'Industrie Canada (pour le module de transmetteur qui se trouve dans le produit)

Cet appareil est conforme aux CNR d'Industrie Canada applicables aux appareils radio exempts de licence. L'exploitation est soumise aux deux conditions suivantes :

- 1) cet appareil ne doit pas produire d'interférences;
- 2) cet appareil doit accepter toutes les interférences, y compris celles pouvant entraîner son dysfonctionnement.

Étiquette de conformité ICES-001 d'Industrie Canada : CAN ICES-1/NMB-1

## Énoncé d'IC sur l'exposition aux rayonnements

Cet appareil est conforme aux limites d'Industrie Canada en ce qui concerne l'exposition aux rayonnements établies pour un environnement non contrôlé.

Cet appareil doit être installé et utilisé de façon à maintenir une distance minimale de 20 cm (7,8 po) entre l'antenne et les utilisateurs.

### REMARQUE

- Le fabricant n'est pas responsable des interférences radio ou télévisées générées par une modification non approuvée apportée à cet équipement. De telles modifications pourraient annuler l'autorisation accordée à l'utilisateur de faire fonctionner l'équipement.

Caractéristiques du module LAN sans fil	
Modèle	LCW-003
Gamme de fréquences	2 412 MHz - 2 462 MHz
Puissance de sortie (max.)	IEEE 802.11B : 17,56 dBm IEEE 802.11g : 25,53 dBm IEEE 802.11n : 25,29 dBm

## Informations sur les logiciels libres

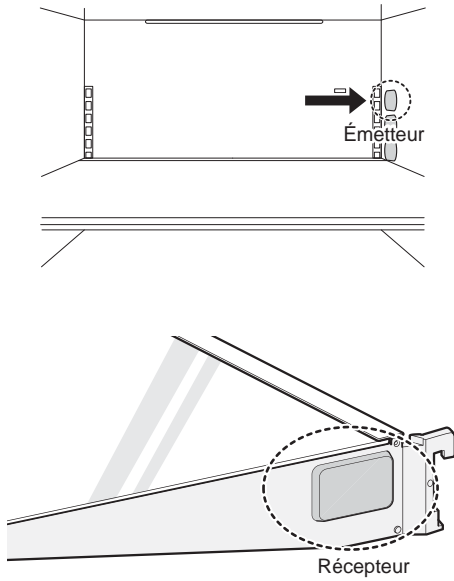
Pour obtenir le code source conformément aux dispositions de la licence publique générale, de la licence publique générale limitée, de la licence publique Mozilla et de toute autre licence régissant les logiciels à code source libre contenus dans cet appareil, visitez le site <http://opensource.signaturekitchensuite.com>.

En plus du code source, toutes les dispositions de licence, les exonérations de garantie et les avis de droits d'auteurs peuvent être téléchargés.

SIGNATURE KITCHEN SUITE mettra également à votre disposition le code source libre sur CD-ROM pour un prix couvrant le coût de la distribution (coût du support, de l'expédition et de la manutention) sur simple demande par courriel à l'adresse [opensource@signaturekitchensuite.com](mailto:opensource@signaturekitchensuite.com).

Cette offre est valable pour une période de trois ans après la dernière commande de ce produit. Cette offre est valable pour toute personne recevant cette information.

Données techniques de transfert de puissance sans fil	
Fréquence	330 kHz ~ 370 kHz
Tension nominale	12 V c.c.
Puissance délivrée	Inférieure ou égale à 3 W par clayette
Mode de transmission	Induction électromagnétique



### REMARQUES

- Des corps étrangers et de la saleté se trouvant entre le côté droit de la tablette et la paroi du cadre intérieur pourraient empêcher l'éclairage de la tablette de s'allumer.
- L'éclairage de la tablette s'allume lorsque la porte est ouverte.
- L'éclairage de la tablette s'éteint après sept minutes ou lorsque la porte est fermée.

# ENTRETIEN

## Nettoyage

### **⚠ AVERTISSEMENT**

- Utilisez un produit de nettoyage ininflammable. Ne pas le faire pourrait entraîner un incendie, une explosion ou des blessures mortelles.

### **⚠ MISES EN GARDE**

- N'utilisez pas de chiffons ou d'éponges rugueuses pour nettoyer l'intérieur et l'extérieur du réfrigérateur.
- Ne placez pas votre main sur la surface inférieure du réfrigérateur quand vous ouvrez ou fermez les portes.

## Conseils généraux de nettoyage

- Le réfrigérateur se dégivre automatiquement. Toutefois, nettoyez-le une fois par mois pour éviter les odeurs.
- Essayez immédiatement les aliments renversés.
- Débranchez toujours le réfrigérateur ou coupez le courant avant de le nettoyer.
- Enlevez toutes les pièces amovibles, telles que les tablettes, les bacs à légumes et fruits, etc.
- Utilisez une éponge propre ou un chiffon et un détergent doux avec de l'eau chaude. N'utilisez pas de produits de nettoyage abrasifs ou forts.
- Lavez à la main, rincez et séchez soigneusement toutes les surfaces.
- Lors du nettoyage de l'intérieur ou de l'extérieur de l'appareil, ne le nettoyez pas avec une brosse rugueuse, du dentifrice ou des matériaux inflammables. N'utilisez pas de produits de nettoyage contenant des substances inflammables.
  - Cela peut causer une décoloration de l'appareil ou entraîner des dommages.
  - Liste des substances inflammables : alcool (éthanol, méthanol, alcool isopropylique, alcool isobutylique, etc.), diluant, eau de javel, benzène, liquide inflammable, abrasif, etc.

## Parois intérieures

Pour éliminer les odeurs, vous pouvez laver l'intérieur du réfrigérateur avec un mélange de bicarbonate de soude et d'eau chaude. Mélangez deux cuillères à soupe de bicarbonate de soude à un litre d'eau (26 g de bicarbonate de soude pour un litre d'eau). Assurez-vous que le bicarbonate de soude est complètement dissous afin de ne pas rayer les surfaces du réfrigérateur.

## Revêtements et joints de porte

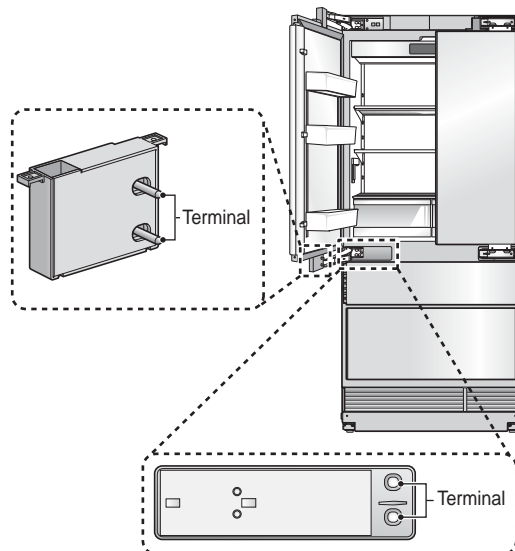
Utilisez une éponge propre ou un chiffon et un détergent doux avec de l'eau chaude. N'utilisez pas de cire de nettoyage, de détergent concentré, d'eau de Javel ou de nettoyant contenant du pétrole sur les pièces en plastique du réfrigérateur.

## Pièces en plastique (couvercles et panneaux)

Utilisez une éponge propre ou un chiffon et un détergent doux avec de l'eau chaude. N'utilisez pas de produits nettoyants pour vitres, de nettoyants abrasifs ou de liquides inflammables. Ces produits peuvent rayer ou endommager la surface.

## Pièces du terminal

Utilisez une éponge propre ou un chiffon doux. Ne pas utiliser de nettoyant à vitre, de nettoyant abrasif ou de liquide inflammable. Ceux-ci peuvent endommager du terminal.



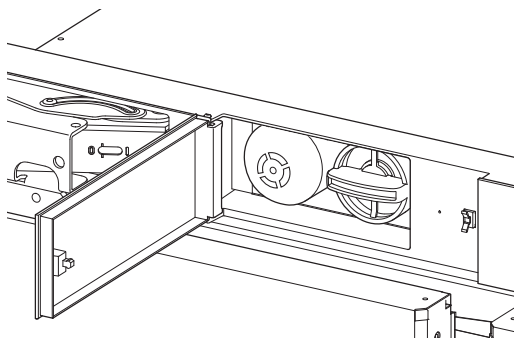
### **⚠ MISES EN GARDE**

- Utilisez uniquement une éponge propre ou un chiffon doux. Le non-respect de ces instructions peut entraîner la mort, une explosion ou un incendie.

## Remplacement du filtre à eau

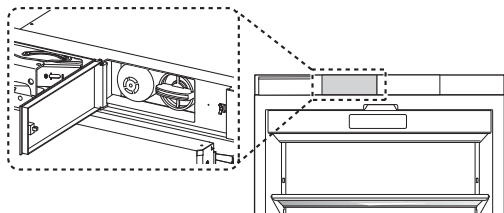
Remplacer le filtre à eau

- Environ tous les six mois.
- Lorsque l'icône **Replace Filter** (changer le filtre) s'allume.
- Lorsque la production de la machine à glaçons diminue.



### 1 Retirez l'ancien filtre à eau.

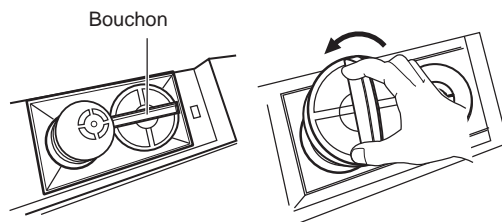
Appuyez en haut à droite du réfrigérateur sur le panneau du filtre à eau pour l'ouvrir.



### REMARQUES

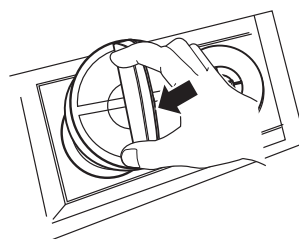
- Le remplacement du filtre à eau provoque le drainage d'une petite quantité d'eau (environ 25 ml ou 1 oz).
- Enveloppez l'extrémité avant du couvercle du filtre à eau avec un linge pour recueillir l'eau qui s'écoulera. Maintenez le filtre à eau à la verticale une fois qu'il est enlevé pour éviter que de l'eau s'en échappe.

- Placez le bouchon sur le filtre à eau, puis tenez-le et tournez-le vers la gauche pour retirer le filtre à eau de la tête du filtre.

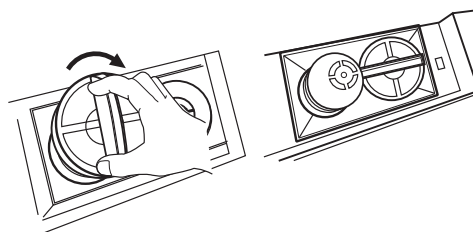


### 3 Remplacez avec un nouveau filtre à eau

Retirez le nouveau filtre à eau de son emballage et retirez le couvercle de protection des joints toriques. Placez le bouchon sur le nouveau filtre à eau, puis poussez-le dans l'orifice du collecteur jusqu'à ce qu'il soit en place.



- Prenez le bouchon et faites-le tourner vers la droite jusqu'à ce qu'il s'arrête. Remplacez le bouchon sur le côté du filtre à eau.

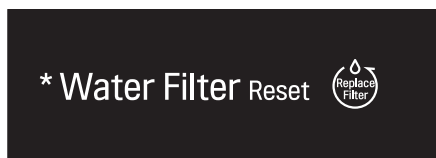


- Une fois que le filtre à eau a été remplacé, faites couler environ neuf litres d'eau (ce qui prendra environ cinq minutes) pour éliminer l'air et les contaminants du système.

### REMARQUE

- Ne faites pas couler les neuf litres d'eau de façon continue. Appuyez et relâchez la touche du distributeur pour des cycles de 30 secondes en position de marche et de 60 secondes en position d'arrêt.

- 6** Une fois le filtre remplacé, maintenez la touche **Water Filter Reset** (réinitialisation du filtre à eau) enfoncée pendant trois secondes pour réinitialiser le témoin lumineux.



### REMARQUES

#### **Pour acheter un filtre à eau de rechange :**

- Rendez-vous chez un détaillant ou un distributeur
- Web : Trouvez des pièces et des accessoires sur la page de soutien du site [signaturekitchensuite.com](http://signaturekitchensuite.com).
- Téléphone : 1 855 790-6655 (États-Unis)

#### **Pour plus de renseignements, appelez au 1 855 790-6655 (É.-U.)**

- Cartouche de remplacement à utiliser : **LT1000P-S (ADQ74793506)**



## Fiche technique des performances

Modèle : LT1000P-S

Code de dénomination commerciale du système NSF : MDJ64844601

La concentration des substances indiquées présentes dans l'eau entrant dans le circuit a été réduite à une concentration inférieure ou égale à la limite autorisée pour l'eau quittant le circuit, selon les spécifications NSF/ANSI des normes 42, 53 et 401.



Circuit testé et certifié par NSF International au regard des spécifications NSF/ANSI des normes 42, 53 et 401 pour la diminution des substances répertoriées ci-dessous.

Réduction des substances	Affluent moyen dans l'eau à traiter	Concentration visée par NSF	% de la diminution moyenne	Concentration moyenne d'eau dans le produit	Concentration d'eau maximale permise dans le produit	Exigences NSF de diminution
Goût et odeur de chlore	2,0 µg/l	2,0 µg/l ± 10 %	> 97,5 %	0,050 µg/l	s. o.	≥ 50,00 %
Particules nominales de classe I, ≥ 0,5 à < 1,0 µm	12 000 000 pts/ml	Au moins 10 000 particules/ml	99,80 %	24 000 pts/ml	s. o.	≥ 85,00 %
Amiante	180 MFL	10 <sup>7</sup> à 10 <sup>8</sup> MFL; longueur des fibres supérieures à 10 µg/Lin	> 99,00 %	< 1 MFL	s. o.	≥ 99,00 %
Atrazine	8,5 µg/l	9,0 µg/l ± 10 %	> 94,10 %	0,500 µg/l	3,0 µg/l	s. o.
Benzène	15,0 µg/l	15,0 µg/l ± 10 %	> 96,60 %	0,510 µg/l	5,0 µg/l	s. o.
Carbofuran	74,0 µg/l	80,0 µg/l ± 10 %	98,30 %	1,258 µg/l	40 µg/l	s. o.
Lindane	1,9 µg/l	2,0 µg/l ± 10 %	> 99,00 %	0,019 µg/l	0,2 µg/l	s. o.
P-Dichlorobenzène	230,0 µg/l	225,0 µg/l ± 10 %	> 99,80 %	0,460 µg/l	75,0 µg/l	s. o.
2,4-D	210,0 µg/l	210,0 µg/l ± 10 %	> 99,90 %	0,210 µg/l	70,0 µg/l	s. o.
Plomb pH @ 6,5	140,0 µg/l	150,0 µg/l ± 10 %	99,60 %	0,560 µg/l	10,0 µg/l	s. o.
Plomb pH @ 8,5	150,0 µg/l	150,0 µg/l ± 10 %	> 99,70 %	< 0,500 µg/l	10,0 µg/l	s. o.
Mercure à pH 6,5	5,9 µg/l	6,0 µg/l ± 10 %	91,00 %	0,531 µg/l	2,0 µg/l	s. o.

(Page suivante)

Réduction des substances	Affluent moyen dans l'eau à traiter	Concentration visée par NSF	% de la diminution moyenne	Concentration moyenne d'eau dans le produit	Concentration d'eau maximale permise dans le produit	Exigences NSF de diminution
Mercure à pH 8,5	5,6 µg/l	6,0 µg/l ± 10 %	92,5 %	0,420 µg/l	2,0 µg/l	s. o.
Sporocyste*	100 000 sporocystes/l	Au minimum 50 000 sporocystes/l	> 99,99 %	10 sporocystes/l	s. o.	≥ 99,95 %
Aténolol	240 ng/l	200 ± 40 % ng/l	> 95,50 %	10,80 ng/l	30 ng/l	s. o.
Carbamazépine	1 600 ng/l	1 400 ± 40 % ng/l	98,40 %	25,60 ng/l	200 ng/l	s. o.
DEET	1 600 ng/l	1 400 ± 40 % ng/l	97,10 %	46,40 ng/l	200 ng/L	s. o.
Triméthoprim	170 ng/l	140 ± 40 % ng/l	> 96,80 %	5,44 ng/l	20 ng/L	s. o.
Linuron	160 ng/l	140 ± 40 % ng/l	> 96,60 %	5,44 ng/l	20 ng/l	s. o.
Phénytoïne	200 ng/l	200 ± 40 % ng/l	> 94,80 %	10,40 ng/l	30 ng/l	s. o.
Ibuprofène	400 ng/l	400 ± 40 % ng/l	> 94,50 %	22,00 ng/l	60 ng/l	s. o.
Naproxène	140 ng/l	140 ± 40 % ng/l	> 96,10 %	5,46 ng/l	20 ng/l	s. o.
Estrone	120 ng/l	140 ± 40 % ng/l	> 96,10 %	4,68 ng/l	20 ng/l	s. o.
Bisphénol A	2 000 ng/l	2 000 ± 40 % ng/l	> 98,90 %	22,00 ng/l	300 ng/l	s. o.
Nonylphénol	1 600 ng/l	1 400 ± 40 % ng/l	> 97,10 %	46,40 ng/l	200 ng/l	s. o.

- Basé sur l'utilisation des ocystes *Cryptosporidium parvum*.

Directives d'utilisation et spécifications de l'alimentation en eau	
Débit d'utilisation	1,89 l/min (0,5 gal/min)
Alimentation en eau	Réseau municipal ou puits privé - Eau potable
Pression de l'eau	De 20 à 120 psi (de 138 à 827 kPa)
Température de l'eau	De 0,6 °C à 37,8 °C (de 33 °F à 100 °F)
Capacité	757 litres (200 gallons)

Il est essentiel de suivre les recommandations du fabricant relatives à l'installation, à l'entretien et au remplacement du filtre afin que l'appareil fonctionne conformément aux performances annoncées.

#### REMARQUE

- Les tests ont été effectués en laboratoire et le rendement peut varier en situation d'utilisation réelle.

Cartouche de remplacement : **LT1000P-S**

Pour obtenir de l'information sur les filtres à eau de rechange, rendez-vous chez un détaillant ou un distributeur ou recherchez les mots « filtre à eau » sur le site [signaturekitchensuite.com](http://signaturekitchensuite.com).

Pour plus de renseignements, le Centre d'information à la clientèle SIGNATURE KITCHEN SUITE est ouvert en tout temps.

É.-U. : 1 855 790-6655

NSF est une marque de commerce de la NSF.

## AVERTISSEMENTS

### Afin de réduire les risques d'étouffement :

- N'autorisez pas les enfants de moins de 3 ans à avoir accès aux petites pièces pendant l'installation de ce produit.

### Afin de réduire le risque associé à l'ingestion de produits contaminants :

- N'utilisez pas d'eau insalubre ou de qualité inconnue sans désinfection adéquate en amont ou en aval du système. Les systèmes certifiés pour la réduction du nombre de sporocystes peuvent être utilisés avec de l'eau désinfectée pouvant contenir des sporocystes filtrables. Établissement de l'EPA n° 070595-MEX-001

## MISES EN GARDE

### Afin de réduire le risque associé à des dommages matériels causés par une fuite d'eau :

- Lisez et suivez les instructions d'utilisation avant l'installation et l'utilisation de ce système.
- L'installation et l'utilisation DOIVENT être conformes à l'ensemble des codes de plomberie régionaux et locaux en vigueur.
- N'installez pas le produit si la pression d'eau dépasse 120 psi (827 kPa). Si la pression d'eau dépasse 80 psi, vous devez installer une valve de limitation de pression. Faites appel à un plombier si vous ne savez pas comment vérifier la pression d'eau.
- N'installez pas ce produit dans des conditions propices aux coups de bélier. S'il est possible que des coups de bélier se produisent, vous devez absolument installer un dispositif antibélier. Contactez un plombier si vous ne savez pas comment effectuer cette vérification.
- N'installez pas ce produit sur des conduites d'alimentation en eau chaude. La température maximale de l'eau pour le bon fonctionnement de ce système de filtre est de 100 °F (37,8 °C).
- Protégez le filtre du gel. Vidangez le filtre lorsque la température descend sous 4,4 °C (40 °F).
- La cartouche du filtre jetable DOIT être remplacée tous les six mois, selon la capacité évaluée, ou plus tôt si le débit ralentit de façon manifeste.
- Protégez le dispositif contre le gel, retirez la cartouche filtrante lorsque les températures risquent de descendre au-dessous de 0 °C.
- N'installez pas ces systèmes dans des régions où les températures ambiantes peuvent dépasser 43,3 °C (110 °F).
- Si un dispositif de prévention du refoulement est installé sur le système, un dispositif permettant de contrôler la pression résultant de la dilatation thermique doit être installé.
- Vérifiez que tous les tuyaux et les raccords sont serrés et ne présentent aucune trace de fuite.

# DÉPANNAGE

## Foire aux questions

### Q : Quelles sont les températures optimales pour mon congélateur?

R : Le réglage par défaut du congélateur est de 0 °F (-18 °C). Ajustez ces réglages au besoin pour conserver les aliments à la température désirée. La crème glacée doit être ferme et les glaçons ne doivent pas fondre dans le congélateur. Pour passer des degrés Fahrenheit aux degrés Celsius sur l'écran, appuyez d'abord sur le bouton Freezer (congélateur) pour activer l'écran, puis appuyez sur les boutons Freezer (congélateur) et Smart Grid (réseau intelligent) et maintenez-les enfoncés jusqu'à ce que vous entendiez un bip et que les réglages changent à l'écran.

### Q : Quelles sont les températures optimales pour mon réfrigérateur?

R : Le réglage par défaut du réfrigérateur est de 37 °F (3 °C). Ajustez ces réglages au besoin pour conserver les aliments à la température désirée. Pour passer des degrés Fahrenheit aux degrés Celsius sur l'écran, appuyez d'abord sur le bouton Refrigerator (réfrigérateur) pour activer l'écran, puis appuyez sur les boutons Refrigerator (réfrigérateur) et Smart Grid (réseau intelligent) et maintenez-les enfoncés jusqu'à ce que vous entendiez un bip et que les réglages changent à l'écran.

### Q : Comment puis-je régler la température?

R : Maintenez enfoncé le bouton **Refrigerator (Réfrigérateur) ou Freezer (Congélateur) sur le panneau de commande jusqu'à ce que la température désirée apparaisse.** Les chiffres s'afficheront en ordre décroissant et recommenceront leur cycle si vous maintenez la touche enfoncée.

### Q : Quel est ce bourdonnement que le congélateur émet de temps à autre?

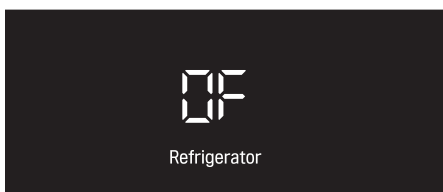
R : Ce son peut être émis si le congélateur n'est pas alimenté en eau alors que la machine à glaçons est allumée. Si vous n'avez pas de source d'eau reliée au congélateur, vous devriez désactiver la machine à glaçons sur le panneau de commande.

### Q : Pourquoi le plateau de la machine à glaçons semble-t-il croche?

R : Il s'agit d'un état normal du cycle de la machine à glaçons. Le plateau de la machine à glaçons peut sembler à niveau ou légèrement incliné. Le changement de position aide au processus de congélation.

### Q : Mon congélateur est sous tension et les commandes fonctionnent, mais il ne refroidit pas et l'afficheur indique « OF » (voir ci-dessous). Quel est le problème?

R : Le congélateur est en mode Présentation. Ce mode désactive le refroidissement dans le but d'économiser l'énergie lorsque l'appareil est présenté en magasin. Pour rétablir le fonctionnement normal, appuyez d'abord sur le bouton Freezer (congélateur) pour activer l'écran, puis appuyez sur les boutons Freezer (congélateur) et Water Filter Reset (remplacement du filtre à eau) et maintenez-les enfoncés jusqu'à ce que vous entendiez un bip et que le réglage de la température s'affiche à l'écran. Utilisez la même procédure pour rétablir le mode Présentation du congélateur, si vous le souhaitez.



## Avant d'appeler le réparateur

Consultez cette section du manuel avant de demander un service d'entretien; ce faisant, vous économiserez temps et argent.

### Refroidissement

Problème	Cause possible	Solutions
<b>Les compartiments du réfrigérateur et du congélateur ne refroidissent pas.</b>	<b>La commande est réglée sur OFF (arrêt) (sur certains modèles).</b>	Réglez la commande sur ON (marche). Veuillez consulter la section Panneau de commande pour un bon ajustement des températures.
	<b>Le réfrigérateur est réglé sur le mode Présentation.</b>	Le mode Présentation permet un fonctionnement normal de l'éclairage et de l'affichage du panneau de commande, mais désactive le refroidissement pour économiser l'énergie durant l'exposition en magasin. Voir la section FAQ de ce manuel pour des instructions sur la façon de désactiver le mode Présentation.
	<b>Le réfrigérateur est dans un cycle de dégivrage.</b>	Durant le cycle de dégivrage, la température de chaque compartiment peut augmenter légèrement. Attendez 30 minutes, puis vérifiez que la température est revenue à la normale une fois le cycle de dégivrage terminé.
	<b>Le réfrigérateur vient d'être installé.</b>	Chaque compartiment peut mettre jusqu'à 24 h pour atteindre la température visée.
	<b>Le réfrigérateur a récemment été déplacé.</b>	Si le réfrigérateur a été entreposé ou couché pendant une longue période, celui-ci doit être placé à la verticale pendant 24 h avant d'être mis sous tension.
<b>Le système de refroidissement est trop puissant.</b>	<b>Le réfrigérateur remplace un ancien modèle.</b>	Les réfrigérateurs modernes nécessitent un temps de fonctionnement plus long, mais consomment moins d'énergie grâce à une technologie plus efficace.
	<b>Le réfrigérateur vient d'être branché ou remis sous tension.</b>	Le réfrigérateur peut mettre jusqu'à 24 h pour refroidir complètement.
	<b>La porte a souvent été ouverte, ou beaucoup d'aliments ou des aliments chauds y ont été placés.</b>	L'ajout d'aliments ou l'ouverture de la porte réchauffe le réfrigérateur, ce qui demande au compresseur de fonctionner plus longtemps pour refroidir les compartiments. Afin de conserver l'énergie, essayez de sortir tout ce dont vous avez besoin du réfrigérateur en une seule fois, rangez vos aliments de manière organisée afin de les trouver facilement et fermez la porte dès que les aliments sont sortis. (Consultez le Guide de conservation des aliments.)
	<b>Les portes ne sont pas complètement fermées.</b>	Poussez les portes fermement. Si elles ne se ferment pas complètement, consultez la section Les portes ne se ferment pas complètement ou s'ouvrent toutes seules dans la partie Pièces et caractéristiques de la section Dépannage.
	<b>Le réfrigérateur est installé dans un environnement chaud.</b>	Le compresseur fonctionnera plus longtemps dans un environnement chaud. Lorsque la température ambiante est normale (21 °C), votre compresseur fonctionne entre 40 % et 80 % du temps. Si la pièce est plus chaude, attendez-vous à ce qu'il fonctionne encore plus. Le réfrigérateur ne doit pas être mis en fonction lorsque la température ambiante est supérieure à 43 °C.

## Refroidissement

Problème	Cause possible	Solutions
<b>Accumulation d'humidité à l'intérieur.</b>	<b>Les portes sont souvent ouvertes ou restent ouvertes longtemps.</b>	Lorsque les portes sont souvent ouvertes ou restent ouvertes longtemps, de l'air chaud et humide entre à l'intérieur du compartiment. La température et le niveau d'humidité augmentent ainsi à l'intérieur du compartiment. Pour diminuer cet effet, réduisez la fréquence et la durée d'ouverture des portes.
	<b>Les portes ne sont pas fermées correctement.</b>	Si elles ne se ferment pas complètement, consultez la section Les portes ne se ferment pas complètement ou s'ouvrent toutes seules dans la partie Pièces et caractéristiques de la section Dépannage.
	<b>Conditions ambiantes humides.</b>	Des conditions ambiantes humides font entrer plus d'humidité dans les compartiments lorsque les portes sont ouvertes, ce qui génère de la condensation ou du givre. Maintenir un niveau d'humidité raisonnable dans la maison aidera à contrôler la quantité d'humidité qui peut entrer dans les compartiments.
	<b>Cycle de dégivrage récemment effectué.</b>	Pendant le cycle de dégivrage, la température de chaque compartiment peut augmenter légèrement et de la condensation peut se former sur la paroi arrière. Une fois le cycle de dégivrage terminé, attendez 30 minutes et vérifiez que la température a bien été rétablie.
	<b>Les aliments ne sont pas emballés correctement.</b>	Les aliments qui sont rangés à découvert ou sans emballage et les contenants humides peuvent entraîner une accumulation d'humidité dans chaque compartiment. Essuyez tous les contenants et rangez les aliments dans des emballages scellés pour éviter la condensation et le givre.
<b>Les aliments gèlent dans le compartiment du réfrigérateur.</b>	<b>Des aliments à teneur élevée en eau ont été placés à proximité d'une bouche d'aération.</b>	Placez les aliments à haute teneur en eau loin des bouches d'aération.
	<b>La température du réfrigérateur est mal réglée.</b>	Si la température est trop froide, ajustez-la une unité à la fois et attendez que la température se stabilise. Pour plus d'information, reportez-vous à la section Réglage des commandes.
	<b>Le réfrigérateur est installé dans un endroit froid.</b>	Lorsque le réfrigérateur fonctionne dans des conditions inférieures à 41 °F (5 °C), les aliments peuvent geler dans le compartiment du réfrigérateur. Le réfrigérateur ne doit pas être utilisé à une température inférieure à 55 °F (13 °C).
<b>Le réfrigérateur est trop chaud.</b>	<b>Le réfrigérateur vient d'être installé.</b>	Chaque compartiment peut mettre jusqu'à 24 h pour atteindre la température visée.
	<b>Les bouches d'aération sont obstruées.</b>	Repérez les événements d'aération à l'aide de votre main pour détecter l'air et déplacez tous les articles qui obstruent les événements et limitent la circulation de l'air. Réorganisez les aliments pour permettre à l'air de circuler dans tout le compartiment.

## Refroidissement

Problème	Cause possible	Solutions
<b>Le réfrigérateur est trop chaud.</b>	<b>Les portes sont souvent ouvertes ou restent ouvertes longtemps.</b>	Lorsque les portes sont souvent ouvertes ou restent ouvertes longtemps, de l'air chaud et humide entre à l'intérieur du compartiment. La température et le niveau d'humidité augmentent ainsi à l'intérieur du compartiment. Pour diminuer cet effet, réduisez la fréquence et la durée d'ouverture des portes.
	<b>Le réfrigérateur est installé dans un endroit chaud.</b>	Le réfrigérateur ne doit pas être mis en fonction lorsque la température ambiante est supérieure à 43 °C.
	<b>Beaucoup d'aliments ou des aliments chauds ont été placés dans le compartiment.</b>	L'ajout d'aliments augmente la température du compartiment, ce qui entraîne le déclenchement du système de refroidissement. Pour limiter cet effet, laissez refroidir les aliments chauds à température ambiante avant de les placer dans le réfrigérateur.
	<b>Les portes ne sont pas correctement fermées.</b>	Si elles ne se ferment pas complètement, consultez la section Les portes ne se ferment pas complètement ou s'ouvrent toutes seules dans la partie Pièces et caractéristiques de la section Dépannage.
	<b>La température n'est pas réglée correctement.</b>	Si la température est trop élevée, ajustez les réglages une position à la fois et attendez que la température se stabilise.
	<b>Le cycle de dégivrage vient de se terminer.</b>	Durant le cycle de dégivrage, la température de chaque compartiment peut augmenter légèrement et des signes de condensation peuvent apparaître sur la paroi arrière. Attendez 30 minutes, puis vérifiez que la température est revenue à la normale une fois le cycle de dégivrage terminé.
<b>Le réfrigérateur est trop froid.</b>	<b>La température n'est pas réglée correctement.</b>	Si la température est trop basse, ajustez les réglages une position à la fois et attendez que la température se stabilise. Consultez le Panneau de commande pour plus de renseignements à ce sujet.

## Pièces et caractéristiques

Problème	Cause possible	Solutions
Les portes ne se ferment pas complètement ou s'ouvrent toutes seules.	Des aliments empêchent la fermeture de la porte.	Rangez les aliments d'une autre façon pour dégager la porte et ses tablettes.
	Le bac à glaçons, le couvercle du bac à légumes et fruits, les bacs, les tablettes, les balconnets de la porte ou les paniers ne sont pas positionnés correctement.	Poussez les bacs jusqu'au fond et placez le couvercle du bac à légumes et fruits, les bacs, les tablettes et les paniers dans leur position normale. Veuillez consulter la section Fonctionnement pour en savoir plus à ce sujet.
	Les portes ont été enlevées durant l'installation de l'appareil et n'ont pas été correctement remises en place.	Enlevez et remplacez les portes en suivant les instructions d'installation.
	Le réfrigérateur n'est pas d'aplomb.	Veuillez consulter la section Alignement de la porte dans la partie Installation pour positionner le réfrigérateur de façon adéquate.
La porte est difficile à ouvrir.	Les joints sont sales ou collants.	Nettoyez les joints et leurs surfaces de contact. Frottez un chiffon avec du lustre ou de la cire pour meubles sur les joints après les avoir nettoyés.
	La porte vient d'être refermée.	Lorsque vous ouvrez la porte, de l'air tiède entre dans le réfrigérateur. À mesure que l'air tiède se refroidit, il peut créer un effet d'aspiration. Si la porte est difficile à ouvrir, veuillez patienter une minute pour permettre à la pression de l'air de s'équilibrer, puis vérifiez que la porte s'ouvre plus facilement.
L'éclairage ne fonctionne pas.	Les lumières à DEL à l'intérieur ne fonctionnent pas.	La lampe du compartiment du réfrigérateur est une diode d'éclairage interne, et son entretien doit être réalisé par un professionnel.
L'intérieur du réfrigérateur est couvert de poussière ou de suie.	Le réfrigérateur est placé près d'une flamme ou d'un feu, comme une cheminée, un poêle à bois ou une bougie.	Assurez-vous que le réfrigérateur n'est pas situé près d'une flamme ou d'un feu, comme une cheminée, un poêle à bois ou une bougie.
De la condensation se forme sur le pilier sur la porte gauche.	La tension chute en cas de contact par des corps étrangers.	Nettoyez les terminaux indiqués dans le mode d'emploi à l'aide d'un chiffon sec. (Voir page 28 pour les terminaux.)



## Bruits

Problème	Cause possible	Solutions
Clic	La commande du dégivrage cliquette lorsque le cycle de dégivrage automatique se met en marche ou s'arrête. La commande du thermostat (ou la commande du réfrigérateur sur certains modèles) cliquette aussi en début et en fin de cycle.	Fonctionnement normal
Cliquetis	Des cliquetis peuvent être dus à la circulation du fluide frigorigène, à la conduite d'alimentation en eau à l'arrière de l'appareil, ou aux éléments rangés au-dessus ou autour du réfrigérateur.	Fonctionnement normal
	Le réfrigérateur n'est pas en position stable sur le sol.	Le sol flanche ou est inégal, ou les pieds de nivellement doivent être ajustés sous le réfrigérateur. Veuillez consulter la section Nivellement et alignement de la porte.
	Le réfrigérateur doté d'un compresseur linéaire a été déplacé brusquement.	Fonctionnement normal
Sifflement	Le moteur du ventilateur de l'évaporateur fait circuler de l'air à travers le compartiment du réfrigérateur.	Fonctionnement normal
	Le ventilateur du condenseur souffle de l'air sur le condensateur.	Fonctionnement normal
Gargouillement	Le fluide frigorigène circule dans le système de refroidissement.	Fonctionnement normal
Pop	Contraction et expansion des parois internes causées par les changements de température.	Fonctionnement normal
Grésillement	Eau s'égouttant sur le radiateur de dégivrage lors du cycle de dégivrage.	Fonctionnement normal
Vibration	Si le côté ou l'arrière du réfrigérateur touche un meuble ou un mur, certaines des vibrations normales de l'appareil peuvent émettre un son audible.	Pour supprimer ce bruit, assurez-vous que les côtés et l'arrière du réfrigérateur ne peuvent pas vibrer contre un meuble ou un mur.
Égouttement	Eau s'écoulant à travers l'égouttoir au cours du cycle de dégivrage.	Fonctionnement normal
Son pulsatoire ou aigu	Votre réfrigérateur est conçu pour fonctionner de manière efficace pour conserver vos aliments à la bonne température. Le compresseur à haute performance peut amener votre nouveau réfrigérateur à fonctionner plus régulièrement, mais il est toujours plus économe en énergie que les anciens modèles. Il est normal d'entendre des pulsations ou un son aigu au cours du fonctionnement de votre réfrigérateur.	Fonctionnement normal

## Réseau Wi-Fi

Problème	Cause possible	Solutions
<b>Votre appareil électroménager et votre téléphone intelligent ne sont pas connectés au réseau Wi-Fi.</b>	<b>Le mot de passe du réseau Wi-Fi auquel vous essayez de vous connecter est incorrect.</b>	Trouvez le réseau Wi-Fi connecté à votre téléphone intelligent et supprimez-le, puis enregistrez votre appareil sur l'application SIGNATURE KITCHEN SUITE.
	<b>Les données mobiles de votre téléphone intelligent sont activées.</b>	Désactivez les données mobiles sur votre téléphone intelligent avant d'enregistrer l'appareil à l'aide du réseau Wi-Fi.
	<b>Le nom du réseau sans fil (SSID) est erroné.</b>	Le nom du réseau sans fil (SSID) doit être une combinaison de lettres et de chiffres anglais. (N'utilisez pas de caractères spéciaux.)
	<b>La fréquence du routeur n'est pas de 2,4 GHz.</b>	Seule une fréquence de routeur de 2,4 GHz est prise en charge. Réglez le routeur sans fil à 2,4 GHz et connectez-y l'appareil. Pour connaître la fréquence du routeur, informez-vous auprès de votre fournisseur de services Internet ou du fabricant du routeur.
	<b>La distance entre l'appareil et le routeur est trop grande.</b>	Si l'appareil est trop éloigné du routeur, le signal peut être faible et la connexion peut ne pas être configurée correctement. Déplacez le routeur afin qu'il soit plus près de l'appareil.

# GARANTIE LIMITÉE

## POUR ÉTATS-UNIS

Si votre SIGNATURE KITCHEN SUITE (« produit ») ne fonctionne pas à cause d'un défaut de matériaux ou de fabrication malgré un usage domestique normal au cours de la période de garantie énoncée ci-dessous, SIGNATURE KITCHEN SUITE réparera ou remplacera le produit, à sa discrétion. Cette garantie limitée est valide uniquement pour l'acheteur original du produit et ne s'applique que lorsqu'il est acheté et utilisé aux États-Unis, y compris sur les territoires américains. Une preuve de l'achat original est exigée pour obtenir le service de garantie en vertu de cette garantie limitée.

PÉRIODE DE GARANTIE			
Réfrigérateur / Congélateur	Système scellé (condensateur, sècheuse, tuyau de raccordement et évaporateur)	Compresseur	
Trois (3) ans après la date d'achat original de l'appareil.	Cinq (5) ans après la date d'achat original de l'appareil.	Cinq (5) ans après la date d'achat original de l'appareil.	Compresseur linéaire/à inversion seulement : Pièces seulement - de la 6 <sup>e</sup> à la 10 <sup>e</sup> année à compter de la date d'achat original de l'appareil. (Les frais de main-d'œuvre seront facturés au consommateur.)
Pièces et main-d'œuvre (pièces internes et fonctionnelles uniquement)	Pièces et main-d'œuvre	Pièces et main-d'œuvre	

- Les produits et pièces de remplacement sont garantis pour la portion restante de la période de garantie originale ou quatre-vingt-dix (90) jours, selon la période la plus longue.
- Les produits et pièces de remplacement peuvent être neufs ou remis à neuf.
- Une preuve de l'achat original détaillant le modèle du produit et la date d'achat est exigée pour obtenir le service de garantie en vertu de cette garantie limitée.

**SAUF DANS LES LIMITES PRÉVUES PAR LA LÉGISLATION EN VIGUEUR, TOUTE GARANTIE IMPLICITE DE QUALITÉ MARCHANDE OU D'ADAPTATION À UN USAGE PARTICULIER SUR LE PRODUIT EST LIMITÉE À LA DURÉE DE LA PRÉSENTE GARANTIE LIMITÉE. EN AUCUN CAS, SIGNATURE KITCHEN SUITE OU SES DISTRIBUTEURS OU REVENDEURS AUX ÉTATS-UNIS NE SERONT RESPONSABLES DE TOUT DOMMAGE INDIRECT, ACCESSOIRE, CONSÉCUTIF, SPÉCIAL OU PUNITIF, Y COMPRIS, MAIS SANS S'Y LIMITER, LES PERTES DE FONDS COMMERCIAUX, LES PERTES DE REVENUS OU DE BÉNÉFICES, UN ARRÊT DE TRAVAIL, LA DÉTÉRIORATION D'AUTRES MARCHANDISES, LES COÛTS ASSOCIÉS AU DÉPLACEMENT ET À LA RÉINSTALLATION DU PRODUIT, LA PERTE D'UTILISATION, OU TOUT AUTRE DOMMAGE, QU'IL SOIT CONTRACTUEL, DÉLICITUEL OU AUTRE. LA RESPONSABILITÉ TOTALE DE SIGNATURE KITCHEN SUITE, LE CAS ÉCHÉANT, NE POURRA EN AUCUN CAS EXCÉDER LA SOMME QUE VOUS AVEZ PAYÉE POUR ACQUÉRIR LE PRODUIT.**

Certains États ne permettent pas l'exclusion ou la limitation des dommages indirects ou consécutifs, ou les limitations de la durée de la garantie implicite, auquel cas l'exclusion ou la limitation susmentionnée peut ne pas s'appliquer à vous. Cette garantie vous confère des droits juridiques particuliers, et vous avez peut-être aussi d'autres droits qui peuvent varier selon l'État où vous habitez.

### LA PRÉSENTE GARANTIE LIMITÉE NE COUVRE PAS CE QUI SUIT :

- Un appel de service pour livrer, ramasser, installer ou réparer le produit; renseigner le client sur le fonctionnement du produit, rectifier le câblage ou corriger des réparations non autorisées.
- Le bris ou le dysfonctionnement du produit durant une panne, une interruption de l'alimentation électrique ou une mauvaise alimentation en électricité.
- Le bris ou le dysfonctionnement causés par des tuyaux d'eau qui fuient qui sont inadaptés ou gelés, des petits tuyaux de vidange, une arrivée d'eau inadaptée ou coupée, ou une arrivée d'air inadaptée.
- Les dommages attribuables à l'utilisation du produit dans un milieu aux conditions corrosives ou de façon contraire aux indications du manuel d'utilisation.

- Le bris ou le dysfonctionnement du produit causés par des accidents, des insectes nuisibles, de la vermine, la foudre, le vent, un incendie, une inondation ou une catastrophe naturelle, ou toute autre situation hors du contrôle de SIGNATURE KITCHEN SUITE.
- Le bris ou le dysfonctionnement attribuables à toute modification non autorisée ou par une utilisation autre que celle prévue, ou par une fuite d'eau résultant d'une installation inadéquate.
- Le bris ou le dysfonctionnement attribuables à une utilisation mauvaise ou abusive, ou à une installation, à une réparation ou à un entretien inadéquats. Une réparation incorrecte comprend l'utilisation de pièces non autorisées par SIGNATURE KITCHEN SUITE. Une installation ou un entretien incorrect comprend l'installation ou l'entretien de façon contraire aux indications du manuel d'utilisation ou du manuel d'installation.
- Le bris ou le dysfonctionnement causés par une alimentation électrique ou une plomberie inadéquate, une utilisation commerciale ou industrielle, ou l'utilisation d'accessoires, de composants ou de produits de nettoyage non approuvés par SIGNATURE KITCHEN SUITE.
- Le bris ou le dysfonctionnement causés par le transport et la manutention, y compris les rayures, bosses, entailles ou autres dommages au produit fini, sauf si de tels dommages sont rapportés dans un délai d'une (1) semaine après la livraison.
- Les dommages et les pièces manquantes pour tout produit utilisé aux fins de démonstration, tout produit déjà déballé avant l'achat ou tout produit vendu à rabais.
- Tout produit remis à neuf ou tout autre produit vendu « tel quel », « tel que disponible », « avec tous les défauts », ou tout avis de non-responsabilité semblable.
- Des produits dont le numéro de série original a été retiré, modifié ou ne peut être facilement déterminé.
- Les augmentations des frais de fonctionnement et des autres dépenses de fonctionnement.
- Tout bruit associé à un fonctionnement normal.
- L'utilisation d'accessoires (p. ex., filtres à eau, etc.), de composants ou de produits de nettoyage non approuvés par SIGNATURE KITCHEN SUITE.
- Le remplacement des ampoules, des filtres ou des consommables.
- Les réparations lorsque votre appareil est utilisé dans des conditions autres que normales et domestiques (utilisation commerciale, dans des bureaux ou des installations récréatives ou des véhicules) ou contraires aux consignes établies dans le manuel du propriétaire de l'appareil.
- Les coûts associés au retrait et à la réinstallation du produit de votre résidence aux fins de réparation.
- Les étagères, les bacs de la porte, les tiroirs, les poignées et les accessoires, à l'exception des pièces internes/fonctionnelles couverte par la présente garantie limitée.

**Le coût des réparations ou du remplacement dans les circonstances d'exclusion ci-dessus est assumé par le consommateur.**

OBTENIR DES SERVICES SOUS GARANTIE ET DES RENSEIGNEMENTS ADDITIONNELS

Composez le 1-855-790-6655 et sélectionnez l'option appropriée dans le menu.

Ou visitez notre site Web au <http://www.signaturekitchensuite.com>.

Ou par courrier : Service à la clientèle de SIGNATURE KITCHEN SUITE/SIGNATURE KITCHEN SUITE Customer Service P.O. Box 240007 Huntsville, AL 35813 c/o: CIC



# MANUAL DEL PROPIETARIO REFRIGERADOR INCORPORADO

Lea detenidamente el manual del propietario antes de poner el electrodoméstico en funcionamiento y consérvelo a mano en todo momento para su referencia.

SKSFD3604P

[www.signaturekitchensuite.com](http://www.signaturekitchensuite.com)

# TABLA DE CONTENIDOS

## 3 CARACTERÍSTICAS DEL PRODUCTO

---

## 4 INSTRUCCIONES DE SEGURIDAD

---

- 4 INSTRUCCIONES IMPORTANTES DE SEGURIDAD

## 8 ESPECIFICACIONES DEL PRODUCTO

---

## 9 DESCRIPCIÓN GENERAL DEL PRODUCTO

---

- 9 Interior

## 10 FUNCIONAMIENTO

---

- 10 Antes de Usar
- 11 Panel de control
- 13 Dispensador de Agua Interno
- 13 Compartimento de Hielo
- 14 Almacenando Alimentos
- 16 Cajón convertible
- 18 Cajón para congelador
- 20 Compartimentos de la puerta
- 20 Ajustando los Estantes
- 21 Cajón para verduras

## 22 FUNCIONES INTELIGENTES

---

- 22 Aplicación SIGNATURE KITCHEN SUITE
- 24 Función Smart Grid (Red Inteligente)
- 25 Función Smart Diagnosis™ (Diagnóstico Inteligente)

## 28 MANTENIMIENTO

---

- 28 Limpieza
- 29 Reemplazo del Filtro de Agua

## 34 SOLUCIÓN DE PROBLEMAS

---

- 34 Preguntas frecuentes
- 35 Antes de llamar al servicio técnico

## 41 GARANTÍA LIMITADA

---

# CARACTERÍSTICAS DEL PRODUCTO

Según el modelo, es posible que algunas de las siguientes funciones no estén disponibles.

## AGUA FILTRADA

El dispensador de agua dispensa agua fresca y helada.

## ALARMA DE LA PUERTA

La función Alarma de la Puerta está diseñada para prevenir problemas de funcionamiento en el refrigerador que puedan ocurrir al dejar una puerta abierta. Si una puerta se deja abierta por más de 60 segundos, una alarma de advertencia sonará a intervalos de 30 segundos.

## FUNCIÓN ICE PLUS

La producción de hielo se incrementa cuando la sección del congelador se mantiene en la temperatura más baja durante un período de 24 horas.


# INSTRUCCIONES DE SEGURIDAD

## LEA TODAS LAS INSTRUCCIONES ANTES DE UTILIZAR

### Su seguridad y la de los demás son muy importantes.

Tanto en este manual como en el equipo, hemos proporcionado muchos mensajes de seguridad importantes. Siempre debe leer y respetar todos los mensajes de seguridad.

Este es el símbolo de alerta de seguridad.

 Este símbolo le advierte sobre posibles riesgos que pueden ocasionar lesiones o la muerte a usted o a otros. El símbolo de alerta de seguridad siempre estará acompañado de las palabras "ADVERTENCIA" o "PRECAUCIÓN" y seguido de un mensaje de seguridad importante.

Estos términos significan lo siguiente:

### **ADVERTENCIA**

Podría sufrir lesiones graves o la muerte si no sigue las instrucciones.

### **PRECAUCIÓN**

Puede resultar lesionado o causar daño al producto si no sigue las instrucciones.

Todos los mensajes de seguridad le indicarán cuál es el riesgo potencial, le indicarán cómo reducir la probabilidad de lesiones y le proporcionarán información sobre qué podría suceder si no se siguen las instrucciones.

## INSTRUCCIONES IMPORTANTES DE SEGURIDAD

### **ADVERTENCIA**

**Para reducir riesgos de explosión, incendio, muerte, descarga eléctrica, quemaduras o heridas a personas mientras se utiliza el producto, siga precauciones básicas, incluyendo las siguientes:**

 **ADVERTENCIA** : Cáncer y daño reproductivo – [www.P65Warnings.ca.gov](http://www.P65Warnings.ca.gov)



## FUNCIONAMIENTO

- No use este electrodoméstico para fines especiales, como para conservar medicamentos o materiales de ensayo, usar en barcos, etc.
- NO PERMITA que los niños se suban, paren, o cuelguen de las puertas o estantes del refrigerador. Podrían dañar el refrigerador y ocasionarse una herida.
- No permita que los niños entren al electrodoméstico. Podrían quedar atrapados y sofocarse.
- Debe supervisar a los niños para asegurarse de que no jueguen con el electrodoméstico.
- Mantenga sus dedos alejados de las áreas de fijación al abrir o cerrar las puertas. Sea cuidadoso al cerrar las puertas mientras hayan niños alrededor.
- No toque los alimentos congelados ni las partes metálicas del compartimento del congelador si tiene las manos mojadas o húmedas. Hacerlo podría causar congelación.
- No vuelva a congelar alimentos congelados que se hayan descongelado por completo. Esto podría ser peligroso para su salud.
- Se recomienda un disyuntor o un circuito derivado individual, con una conexión a tierra apropiada.
- No use adaptadores ni enchufe el cable de alimentación en un alargador de múltiples tomacorrientes.
- No use un cable que tenga grietas o daño de abrasión en su longitud o en algún extremo del enchufe o conector. Haga que personal de servicio calificado repare inmediatamente todo cable de energía que esté gastado o dañado de alguna manera.
- No use el refrigerador ni toque el cable de alimentación con las manos mojadas.
- No modifique ni extienda el cable de alimentación.
- No use un tomacorriente que no esté certificado. No enchufe el electrodoméstico en un tomacorriente de pared dañado.
- No coloque las manos, los pies u otros objetos en las ranuras de ventilación ni en la parte inferior del refrigerador. Si lo hace, podría sufrir lesiones personales o descargas eléctricas.
- En caso de una fuga de gas (propano/LPG), asegúrese de que el área esté adecuadamente ventilada y contacte a un centro de servicio autorizado antes de continuar con su uso. No toque el refrigerador ni su botón de encendido.
- Apague el electrodoméstico inmediatamente y contacte a un centro de servicio autorizado si escucha algún ruido extraño, o si percibe algún olor o humo saliendo del electrodoméstico.
- No use fusibles (como cobre, alambre de acero, etc.) que no sean los fusibles estándar.
- No coloque ni use un aparato eléctrico dentro del electrodoméstico, a menos que sea de un tipo recomendado por el fabricante.
- No introduzca animales con vida dentro del electrodoméstico.
- Evite el contacto con las partes móviles del mecanismo eyector o con el elemento de calor que dispensa los cubos de hielo. NO introduzca los dedos en el mecanismo de fabricación automática de hielo con el refrigerador enchufado.
- Este electrodoméstico no está destinado al uso por personas (incluyendo niños) con capacidades físicas, sensoriales o mentales reducidas, a menos que se les provea supervisión o instrucciones concernientes al uso del mismo por parte de una persona responsable de su seguridad.
- Si se conecta a un circuito protegido con fusibles, utilice un fusible de retardo.

## **MANTENIMIENTO**

- No use secadoras eléctricas para secar el interior del producto.
- No prenda velas para remover el olor interno del producto.
- En el caso de fuga del refrigerante, aleje los objetos inflamables del refrigerador. Asegúrese de que el área esté bien ventilada y póngase en contacto con un centro de servicio autorizado.
- Mantenga materiales inflamables y vapores, como gasolina, alejados del refrigerador.
- Este electrodoméstico está diseñado para uso doméstico y aplicaciones similares como áreas de cocina en tiendas, oficinas y lugares de trabajo; granjas; por clientes en hoteles, moteles y otros tipos de ambientes residenciales; dormitorios; aplicaciones de abastecimiento y de servicios similares de no distribución.
- Apague el refrigerador antes de limpiarlo o repararlo.
- Las luces del refrigerador y el compartimento del congelador son luces LED para interiores, y un técnico calificado debe realizar el mantenimiento.
- Apague inmediatamente el electrodoméstico en caso haya un apagón o tormenta eléctrica.
- Apague la alimentación si ingresa agua o polvo en el electrodoméstico. Llame a un agente de servicio.
- No almacene, desarme, ni repare el electrodoméstico usted mismo, y tampoco permita que personal no calificado lo haga.
- Si el cable de suministro eléctrico está dañado, este deberá ser reemplazado únicamente por el fabricante, su agente de servicio, o por una persona similarmente cualificada a manera de evitar riesgos.
- No almacene sustancias explosivas como latas de aerosol con propulsores inflamables en este electrodoméstico.

## **ELIMINACIÓN**

- Los refrigeradores desechados o abandonados son peligrosos, incluso si lo están sólo por unos días. Al momento de desechar el refrigerador, retire los materiales de embalaje de la puerta o quite las puertas, pero deje los estantes en su lugar, a fin de que los niños no puedan ingresar fácilmente a éste.
- Si desechara un refrigerador, asegúrese de retirar el refrigerante para que un miembro calificado del personal de servicio lo deseche correctamente. Si usted libera el refrigerante, podría ser multado o encarcelado de conformidad con la ley ambiental vigente.

## **INSTRUCCIONES DE CONEXIÓN A TIERRA**

- La conexión incorrecta del conductor de puesta a tierra del equipo puede provocar un riesgo de descarga eléctrica. Consulte con un electricista calificado o técnico de servicio si tiene dudas sobre si el aparato está debidamente conectado a tierra. No modifique el enchufe proveído con el electrodoméstico; si este no caza en su tomacorriente, debe solicitar la instalación de uno adecuado a un electricista calificado.
- Haga que un técnico certificado verifique que el tomacorriente de pared y los cables estén adecuadamente conectados a tierra.

## PRECAUCIÓN

**Para reducir el riesgo de lesiones leves o moderadas a personas, el mal funcionamiento o daño al producto o propiedad cuando use este producto, siga las precauciones básicas, incluidas las siguientes:**

### INSTALACIÓN

- No coloque el electrodoméstico en un lugar donde pueda caerse.
- El refrigerador debe instalarse correctamente, teniendo en cuenta las instrucciones de instalación.

### FUNCIONAMIENTO

- No use aerosoles cerca del electrodoméstico.
- Este refrigerador está destinado únicamente a usos domésticos y similares.
- No golpee ni aplique demasiada fuerza en las superficies de vidrio. No toque las superficies de vidrio si están agrietadas o rotas.
- No llene ni envase en exceso los alimentos en los compartimentos de la puerta. Esto podría dañar el compartimento o provocar lesiones personales al retirar los alimentos aplicando una fuerza excesiva.
- No llene demasiado el electrodoméstico. Si lo hace podría lesionarse o causar daño a la propiedad.

### MANTENIMIENTO

- No use detergentes fuertes como cera o diluyentes para la limpieza. Limpie con un trapo suave.
- Remueva objetos extraños (como polvo y agua) de las clavijas del cable de alimentación y áreas de contacto. No utilice un paño húmedo o mojado al limpiar el enchufe.
- No rocíe agua directamente en el interior o exterior del electrodoméstico.
- Cuando estén fríos, no limpie los estantes de vidrio ni las tapas con agua caliente. Si se exponen a cambios de temperatura repentinos, podrían romperse.

## ADVERTENCIA

- Mantenga las aperturas de ventilación, en la cubierta del electrodoméstico o en la estructura incorporada, despejadas de obstrucciones.
- No utilice dispositivos mecánicos u otros medios para acelerar el proceso de descongelado, con excepción de aquellos recomendados por el fabricante.
- No dañe el circuito refrigerante.
- No utilice aparatos eléctricos dentro de los compartimentos de almacenaje de alimentos del electrodoméstico, a menos que sean de un tipo recomendado por el fabricante.
- El gas refrigerante y de aislamiento usado en el electrodoméstico requiere procedimientos de desecho especiales. Al desechar, por favor consulte con un agente de servicio o persona similarmente calificada.



Este electrodoméstico contiene una pequeña cantidad de refrigerante isobutano (R600a), gas natural con alta compatibilidad ambiental, pero también combustible. Al transportar e instalar el electrodoméstico, debe prestar atención para asegurar que ninguna parte del circuito refrigerante se dañe. Fuga del refrigerante fuera de las pipas podría generar un incendio o causar una lesión ocular. Si se detecta una fuga, evite cualquier llama descubierta o causas potenciales de incendio, y ventile el ambiente en el que se encuentra el electrodoméstico por varios minutos.

A manera de evitar la creación de una mezcla de gas y aire inflamable en caso ocurra una fuga en el circuito refrigerante, el tamaño del ambiente en el que el electrodoméstico se ubica deberá corresponder a la cantidad de refrigerante usada. El espacio debe ser de 1 m<sup>2</sup> por cada 8g de refrigerante R600a dentro del electrodoméstico. La cantidad de refrigerante en su electrodoméstico particular se muestra en la placa de identificación ubicada dentro del mismo. Nunca inicie un electrodoméstico mientras este muestre algún signo defectuoso. En caso de dudas, consulte con su distribuidor.

# GUARDE ESTAS INSTRUCCIONES

# ESPECIFICACIONES DEL PRODUCTO

La apariencia y las especificaciones detalladas en este manual podrían variar debido a mejoras constantes en el producto.

**Requisitos Eléctricos** 115 V, 60 Hz

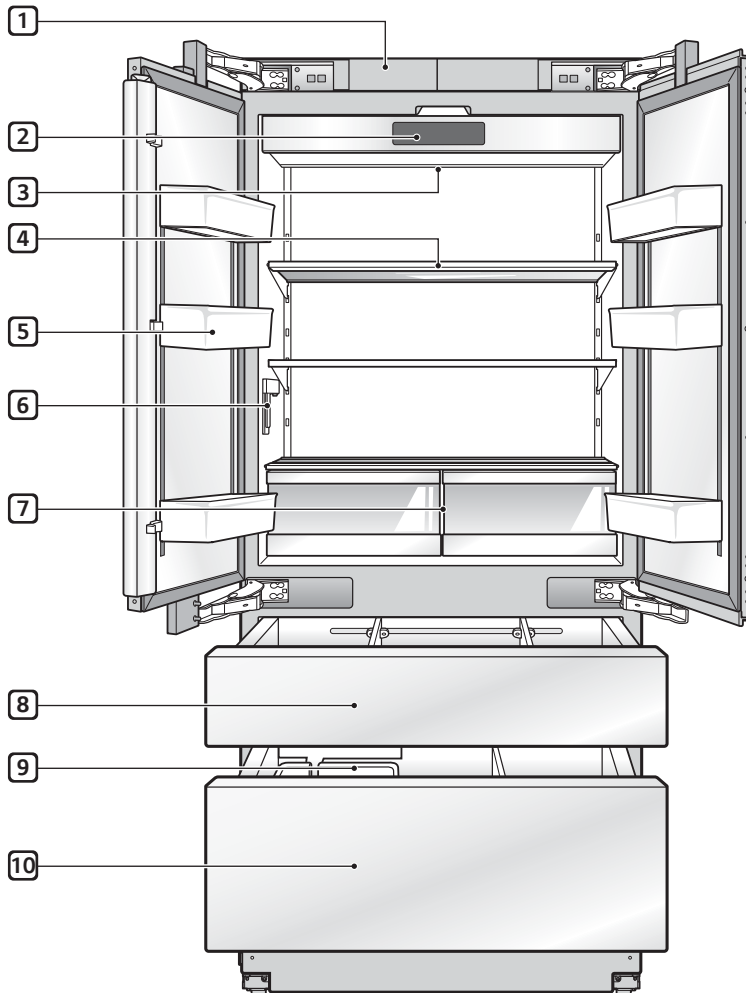
**Presión de Agua Min / Max** 20 - 120 psi (138 - 827 kPa)

<b>Modelo SKSFD3604P</b>	
<b>Descripción</b>	Refrigerador Incorporado
<b>Peso neto</b>	483 lb (219 kg)

# DESCRIPCIÓN GENERAL DEL PRODUCTO

Las ilustraciones en esta guía pueden diferir de los componentes y accesorios reales, los cuales están sujetos a cambios sin previo aviso por parte del fabricante a fin de introducir mejoras en el producto.

## Interior



### 1 Filtro de agua

Purifica el agua.

#### NOTA

- El filtro debe cambiarse cada 6 meses. Consulte la sección Reemplazo del filtro de agua de este manual para obtener más información.

### 2 Panel de control

Ajusta la temperatura del refrigerador y la condición del filtro de agua.

### 3 Iluminación interior LED

Ilumina el interior del refrigerador.

### 4 Estante ajustable de refrigerador

Los estantes del refrigerador son ajustables para satisfacer sus necesidades personales de almacenamiento.

### 5 Bandeja Móvil de la Puerta

Preserva las comidas o bebidas congeladas.

### 6 Dispensador de Agua Interno

### 7 Cajón para verduras

### 8 Cajón convertible

### 9 Máquina de Hielo

### 10 Cajón para congelador

# FUNCIONAMIENTO

## Antes de Usar



### Limpie el refrigerador.

Limpie el refrigerador intensivamente y sacuda todo el polvo acumulado durante el envío.

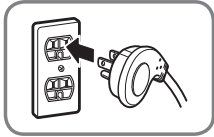
### PRECAUCIÓN

- No raye el refrigerador con objetos puntiagudos ni use detergente que contenga alcohol, líquidos inflamables o abrasivos al remover cualquier cinta o adhesivo del mismo. Remueva los residuos de adhesivos borrándolos con su pulgar o detergente para platos.
- No despegue la etiqueta de número de serie, modelo o información técnica del panel trasero del refrigerador.



### Abra las puertas del refrigerador para ventilar el interior del mismo.

Puede que al inicio el interior del refrigerador huela a plástico. Remueva toda cinta adhesiva del interior del refrigerador y abra las puertas del mismo para que se ventile.



### Conecte la fuente de energía.

Verifique que la fuente de energía esté conectada previo a usar.

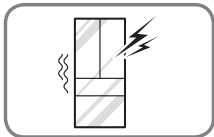


### Espere a que el refrigerador enfríe.

Permita que el refrigerador funcione por al menos dos o tres horas previo a colocar alimentos dentro.

### PRECAUCIÓN

- Colocar alimentos en el refrigerador, previo a que éste haya enfriado, podría causar que éstos se echen a perder o que un mal olor permanezca en su interior.



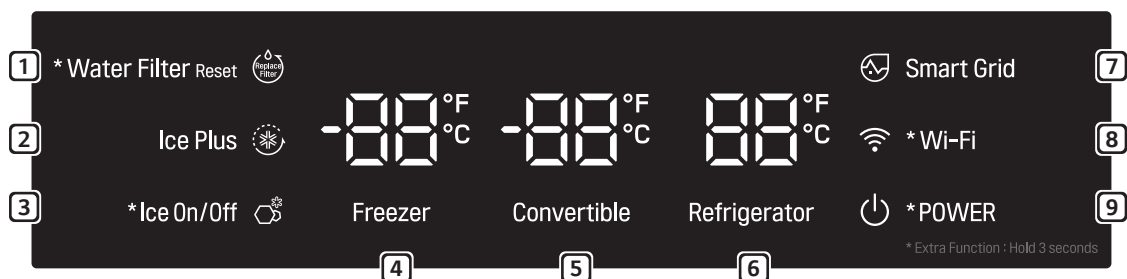
### El refrigerador hace un sonido fuerte luego de la operación inicial.

Esto es normal. El volumen disminuirá conforme baje la temperatura.

## Panel de control

Según el modelo, es posible que algunas de las siguientes funciones no estén disponibles.

### Funciones del panel de control



#### NOTA

- Cuando el refrigerador está en Modo de Ahorro de Energía, la pantalla permanecerá apagada hasta que se abra una puerta o se presione un botón. Una vez hecho, la pantalla se mantendrá encendida por 20 segundos.

#### 1 \* Water Filter Reset (Reinicio del Filtro de Agua)

Reemplace el filtro de agua cuando el icono **Replace Filter** (Reemplace Filtro) se encienda. Luego de cambiar el filtro, mantenga presionado el botón **Water Filter** (Filtro de Agua) por tres segundos para apagar la luz del icono. Reemplace el filtro de agua aproximadamente cada seis meses.

#### 2 Función Ice Plus (Más Hielo)

Esta función incrementa tanto la producción de hielo como la capacidad de congelamiento.

- Presione el botón Ice Plus (Más Hielo) para iluminar el icono y activar la función por 24 horas. La función se desactiva automáticamente después de 24 horas.
- Detenga la función manualmente presionando el botón una vez más.

#### 3 \* Ice On/Off (Hielo Encendido/Apagado)

Presione el botón **Ice On/Off** por tres segundos para encender o apagar el dispensador de hielo.

#### 4 Freezer (Congelador)

Indica la temperatura establecida del compartimento del congelador en grados Celsius (°C) o Fahrenheit (°F).

La temperatura predeterminada del congelador es de 0 °F (-18 °C).

Presione repetidamente el botón **Freezer** (Congelador) para seleccionar una nueva temperatura desde -6 °F hasta 8 °F (-24 °C hasta -16 °C).

#### 5 Convertible

Conservación de temperatura variable que se puede regular a una temperatura superior o inferior a la del refrigerador.

Conserve el Kimchi y la carne a 30 °F / -1 °C, las bebidas frías a 33 °F / 1 °C, los alimentos delicados a 37 °F / 3 °C y el vino frío a 41 °F / 5 °C.

Para usar el cajón convertible como congelador, seleccione la misma temperatura en la que está funcionando el congelador. Por ejemplo, si el congelador está configurado en 0 °F, entonces 0 °F aparece automáticamente en la pantalla Convertible como una opción.

Cuando el cajón convertible esté en modo congelador, tendrá la misma temperatura que la del congelador. Cada vez que la temperatura del congelador cambia, el botón de temperatura del cajón convertible se desactiva y este vuelve a operar como refrigerador.

#### 6 Refrigerator (Refrigerador)

Indica la temperatura establecida del compartimento del refrigerador en grados Celsius (°C) o Fahrenheit (°F)

La temperatura predeterminada del refrigerador es de 37 °F (3 °C). Presione repetidamente el botón **Refrigerator** para seleccionar una nueva temperatura desde 33 °F hasta 46 °F (1 °C hasta 8 °C).

**7 Smart Grid (Red inteligente)**

Presione el botón **Smart Grid** para encender o apagar la función Red Inteligente. Cuando la función esté activa, el icono se iluminará. La función Smart Grid se activa automáticamente cuando el refrigerador se conecta a la red Wi-Fi.

El texto de la red se ilumina cuando el refrigerador está respondiendo a un mensaje de Demanda de Respuesta (DR) de la compañía eléctrica.

**8 \* Wi-Fi**

El botón **Wi-Fi**, al ser usado con la aplicación para teléfonos inteligentes SIGNATURE KITCHEN SUITE, permite al refrigerador conectarse a la red Wi-Fi doméstica. Consulte la sección Funciones Inteligentes para recibir información sobre la configuración inicial de la aplicación.

El ícono **Wi-Fi** muestra el estado de la conexión de red del refrigerador. El icono se ilumina cuando el refrigerador está conectado a la red Wi-Fi.

Mantenga presionado el botón **Wi-Fi** por 3 segundos para conectarse a la red. El icono parpadea mientras la conexión está en proceso, luego se enciende cuando ésta se ha logrado exitosamente.

**9 \* Power (Encendido/Apagado)**

El botón Power corta toda la corriente eléctrica de la unidad.

Mantenga presionado el botón Power por 3 segundos para apagar el electrodoméstico. Cuando está apagado, la luz indicadora también lo está. No es necesario cortar la energía en el disyuntor o receptáculo de pared. Utilice esta función para servicio o vacaciones extendidas.

**4 y 9 SABBATH**

**El modo Sabbath es utilizado en el Sabbat y las festividades Judías.**

- Para encender el modo Sabbath, presione la pantalla para activarla, luego mantenga presionados los botones Freezer (Congelador) y Power por 3 segundos hasta que aparezca Sb en la pantalla.
- El modo Sabbath se desactiva automáticamente después de 96 horas.
- Para apagar el modo Sabbath manualmente, mantenga presionados los botones Freezer (Congelador) y Power por 3 segundos.
- Una vez encendido, el modo Sabbath se mantendrá activo incluso si ocurre un apagón.
- Elegir el modo Sabbath automáticamente desactiva las funciones de Luz y Alarma. El dispensador también se desactiva.
- La pantalla interior se mantiene encendida durante el modo Sabbath, pero sólo se muestra "Sb" y los botones Freezer (Congelador) y Power.

**NOTA**

- La función Smart Grid (Red Inteligente) se desactiva automáticamente en modo Sabbath. Cuando el modo Sabbath finaliza, la función Smart Grid (Red Inteligente) debe ser activada de nuevo manualmente.

**⚠ PRECAUCIÓN****Modo de Visualización (Únicamente Para Uso de Tiendas)**

- El Modo de Exhibición deshabilita todo el enfriamiento en el refrigerador para conservar energía mientras éste se exhibe en una tienda detallista. Cuando está activo, se muestra OF en el panel de control, y la pantalla permanece encendida por 20 segundos.

**Para desactivar / activar:**

- Con la puerta del refrigerador abierta, mantenga presionados los botones Freezer y Water Filter Reset al mismo tiempo por cinco segundos. El panel de control emite un pitido y se muestra la configuración de temperatura para confirmar que el Modo de Exhibición ha sido desactivado. Utilice el mismo procedimiento para activar el Modo de Exhibición.

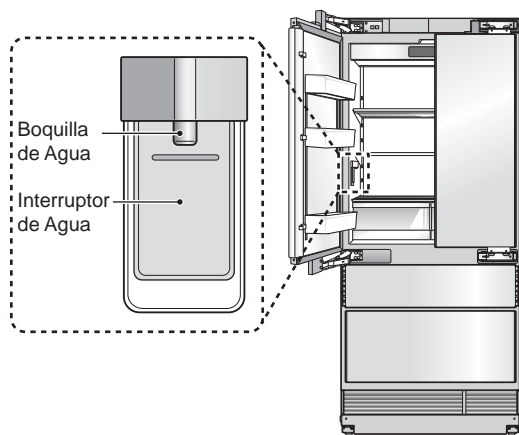


## Dispensador de Agua Interno

### **⚠ PRECAUCIÓN**

- Mantenga a los niños alejados del dispensador. Pueden jugar con los controles y dañarlos.
- Si se dispensa hielo o agua inesperadamente, apague el suministro de agua y contacte al Centro de Información al Cliente SIGNATURE KITCHEN SUITE.
- Después de la instalación, dispense 2.5 galones de agua (enrasada durante aproximadamente 5 minutos) para eliminar el aire atrapado y los contaminantes del sistema.

## Estructura del Dispensador



### NOTA

- Para dispensar agua, presione el Interruptor de agua con un vaso.
- Algo de goteado puede ocurrir luego de dispensar. Sostenga la taza debajo del dispensador por algunos segundos luego de dispensar para que esta recoja todas las gotas.

## Compartimento de Hielo

### **⚠ PRECAUCIÓN**

- Mantenga sus manos y cualquier herramienta fuera del compartimento de hielo. No seguir esta indicación podría resultar en daños o heridas personales.
- Deseche las primeras series de hielo luego de la instalación. Esotambién es necesario si el congelador no hasido usado por un largo tiempo.
- Nunca guarde latas de bebidas u otros artículos en la cubeta de hielos para que enfríen más rápido. Esto puede dañar la máquina de hielo o las latas pueden explotar.

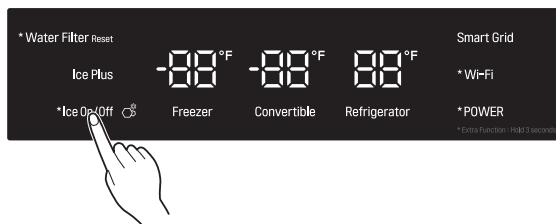
## Máquina de Hielo Automática

La máquina de hielo es capaz de producir automáticamente hasta 12 cubos a la vez. Esta cantidad puede variar según la temperatura ambiente, la frecuencia con la que se abre la puerta, se guardan cosas en el congelador, etc.

- Un refrigerador recién instalado tardará aproximadamente 12 horas en comenzar a producir hielo.
- La máquina de hielo se interrumpe cuando la cubeta está llena.
- De vez en cuando mueva la cubeta de hielo para acomodar los hielos. Si se forma una pila de hielos del lado del sensor del interruptor, la producción de hielos se interrumpirá.
- Para aumentar la producción de hielos active la función Ice Plus. Esta función aumentará tanto la producción de hielos y la capacidad de congelamiento.

## Encendido y apagado de la máquina de hielo automática

Para apagar manualmente la máquina de hielo automática, presione el botón Ice On/Off en la pantalla por tres segundos.



## Sonidos Normales Que Puede Escuchar

- Mantener el suministro energético del dispensador de hielo encendido previo a conectar la línea de agua puede dañar el dispensador.
- La válvula de agua de la máquina de hielo emite un pitido conforme se va llenando de agua. Si el botón Ice On/Off está en la posición ON, se emitirá un pitido aún si no ha sido conectada al agua. Para detener el pitido, presione el botón Ice On/Off para apagar la máquina de hielo.
- Escuchará el sonido de cubos de hielo cayendo en el recipiente y agua corriendo por la tubería mientras el dispensador de hielo se llena nuevamente.

## Preparando para Vacaciones

Ajuste el botón **Ice On/Off** en la posición OFF, y cierre el suministro de agua del congelador.

### NOTA

- El recipiente de hielo debe ser vaciado cada vez que el botón Ice On/Off se coloca en la posición OFF.

Si la temperatura ambiente cae al punto de congelación, contacte a un técnico calificado para drenar el sistema de suministro de agua y así prevenir serios daños a la propiedad debido a inundaciones causadas por la ruptura de líneas de agua o conexiones.

## Almacenando Alimentos

### PRECAUCIÓN

- No llene en exceso, ni almacene artículos demasiado cerca en los compartimentos de la puerta. Esto podría dañar el compartimento o provocar lesiones personales al retirar los alimentos aplicando fuerza excesiva.

### NOTA

- Si se ausentará de casa por un corto período de tiempo, como unas pequeñas vacaciones, el refrigerador debe dejarse encendido. La comida refrigerada que pueda ser congelada se preservará por más tiempo si es almacenada en el congelador.
- Si dejará el refrigerador apagado por un período largo de tiempo, saque toda la comida y desconecte el cable de corriente. Limpie el interior y deje la puerta abierta para prevenir la formación de hongos en el refrigerador.
- No almacene alimentos con contenido muy húmedo cerca del área superior del refrigerador. La humedad podría entrar en contacto directo con el aire frío y congelarse.
- Lave los alimentos previo a almacenarlos en el refrigerador. Frutas y vegetales deben ser lavados, y empaques de alimentos deben ser limpiados para evitar que alimentos cercanos sean contaminados.
- Si el refrigerador se mantiene en un lugar caliente y húmedo, abrir frecuentemente la puerta o almacenar muchos vegetales en el refrigerador podría causar la formación de condensación. Limpie la condensación con un paño limpio o una toalla de papel.
- Si la puerta del refrigerador se abre o cierra con demasiada frecuencia, aire caliente podría ingresar y elevar así su temperatura. Esto podría elevar los gastos de funcionamiento de la unidad.

## Consejos de Almacenamiento de Alimentos

Envuelva o almacene alimentos en el refrigerador en materiales herméticos y a prueba de humedad a menos que se indique lo contrario. Esto previene que el olor y sabor de los alimentos se transfiera a través del refrigerador. Para productos con fecha de caducidad, revise las fechas para asegurar su frescura.

Comida	Cómo
Manteca o Margarina	Si tiene manteca abierta, manténgala en un plato cerrado o compartimento cerrado. Cuando almacene suministros adicionales, envuélvalos en empaque para congelador y congele.
Queso	Almacene en empaquetado original hasta que se use. Una vez abierto, reempaque ajustadamente en envoltorio plástico o papel aluminio.
Leche	Limpie las cajas de leche. Para conservar la leche más fría, coloque los contenedores en un estante interior.
Huevos	Almacene en cartón original en el estante interior, no en el estante de la puerta.
Fruta	No lave o pele fruta hasta que esté lista para ser usada. Organice y mantenga la fruta en el cajón de verduras en sus contenedores originales, o almacénelas en bolsas de papel completamente cerradas en el estante del refrigerador.
Vegetales Frondosos	Remueva el empaquetado de la tienda, recorte o arranque áreas descoloridas y dañadas, lave en agua fría y escurra. Coloque en bolsas o contenedores plásticos y almacene en el cajón de verduras.
Vegetales con cáscaras (zanahorias, chiles)	Coloque en bolsas o contenedores plásticos y almacene en el cajón de verduras.
Pescado	Almacene pescado fresco y mariscos si estos no son consumidos el mismo día de la compra. Es recomendable comer pescado fresco y mariscos el mismo día de la compra.
Restos de comida	Cubra los restos de comida con envoltorio plástico o papel aluminio, o almacénelos en contenedores plásticos con tapas ajustadas.

## Almacenando Alimentos Congelados

Revise una guía de congelado o un libro de cocina confiable para mayor información acerca del preparado de alimentos para congelado o tiempos de almacenamiento.

### Congelando

Su congelador no congelará rápidamente una gran cantidad de alimentos. No coloque más alimentos descongelados en el congelador que los que desee congelar durante las siguientes 24 horas (no más de 2 a 3 libras de alimentos por pie cubico o espacio del congelador).

Deje suficiente espacio en el congelador para que pueda circular aire entre los empaques. Asegúrese de dejar suficiente espacio al frente para que la puerta pueda cerrarse bien.

El tiempo de almacenaje variará dependiendo de la calidad y el tipo de alimentos, el tipo de empaque o envoltorio utilizado (hermético y a prueba de humedad) y la temperatura de almacenaje. Es normal encontrar cristales de hielo dentro de un empaque sellado. Esto simplemente significa que la humedad en dicho artículo alimenticio y el aire dentro del empaque se han condensado, creando así cristales de hielo.

### NOTA

- Permita que los alimentos calientes se enfríen a temperatura ambiente por 30 minutos, y luego empaque y congele. Enfriar alimentos calientes previo a congelarlos ahorra energía.

### Empaquetado

Un congelado exitoso depende del empaque adecuado. Cuando cierre y selle el empaque, éste no debe permitir que aire o humedad ingrese o salga de él. Si lo hace, podría experimentar olores y transferencia de sabores en el congelador, y también podría secar los alimentos congelados.

### Recomendaciones de empaquetado

- Contenedores plásticos rígidos con tapas ajustadas.
- Enlatado de lados rectos / tarros de congelamiento
- Papel aluminio pesado
- Papel plastificado
- Empaques plásticos impermeables
- Bolsas plásticas autosellables para congelador.

Siga las instrucciones del empaque o contenedor para métodos de congelamiento apropiados.

### No use

- Envoltorios de pan
- Contenedores plásticos que no sean de polietileno
- Contenedores sin tapas ajustadas
- Papel de cera o envoltorios de congelado recubiertos de cera.
- Envoltorio delgado y semipermeable.

## Guardar alimentos en el cajón convertible

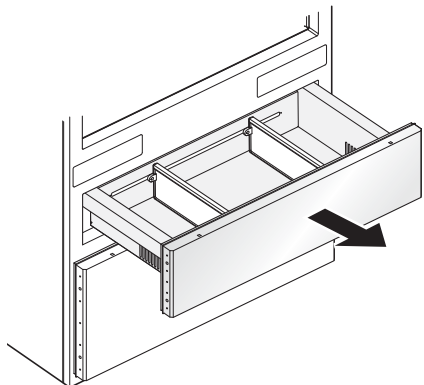
Pulse varias veces sobre el botón del cajón convertible para conocer las opciones de temperatura. Consulte la siguiente tabla para optimizar los resultados

Temperatura	Productos almacenados
-6 a 8°F (-24 a -16°C)	Alimentos congelados
30°F/-1°C	Carnes y pescados
33°F/1°C	Bebidas frías
37°F/3°C	Delicatessen
41°F/5°C	Vino

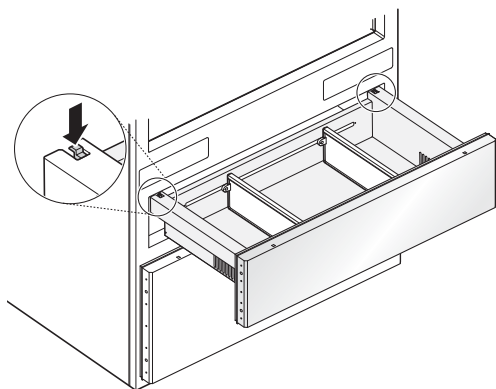
## Cajón convertible

### Extracción del cajón convertible

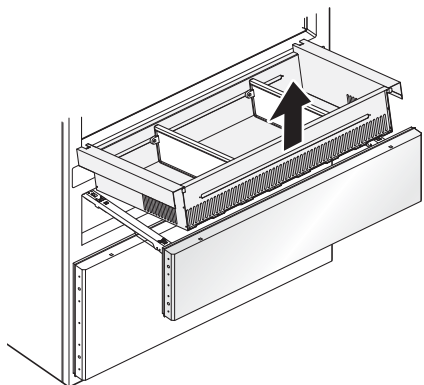
- 1 Tire del cajón hasta que se detenga.  
Vacíe todos el contenido del cajón antes de retirarlo.



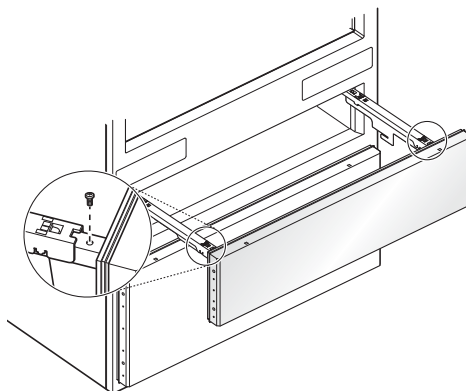
- 2 Presione el botón y quite el tope que tiene en cada uno de los laterales.



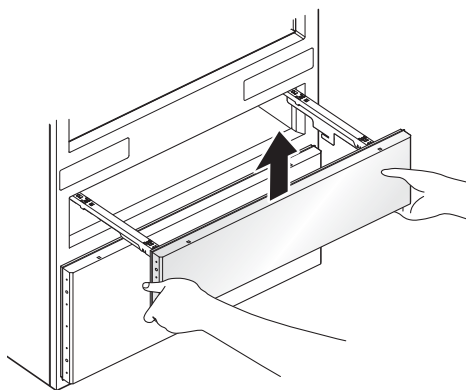
- 3 Retira el cajón levantándolo de las guías.



- 4 Retire los tornillos de los rieles en ambos extremos.



- 5 Sujete los dos lados de la puerta y levántela para retirarla del sistema de guías.

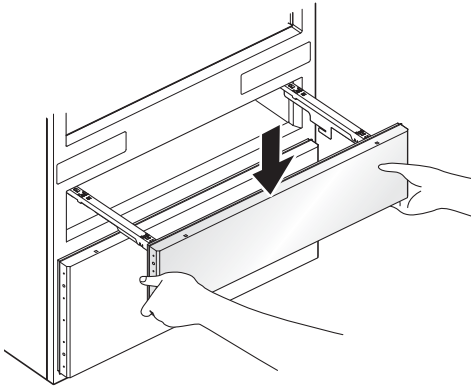


### ⚠ PRECAUCIÓN

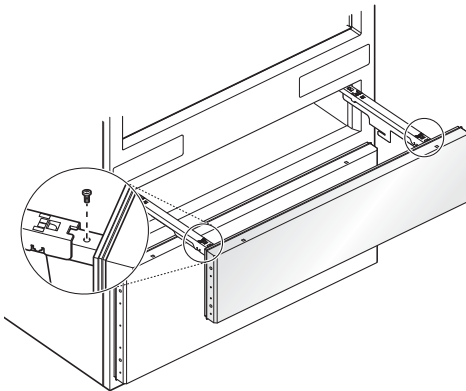
- Los cajones son pesados. Siempre utilice ambas manos al extraer o colocar los cajones para evitar dañar el producto o resultar herido. Vacíe siempre los cajones antes de retirarlos.
- Abra las puertas del congelador totalmente antes de retirar o coloque los cajones.

## Colocación del cajón convertible

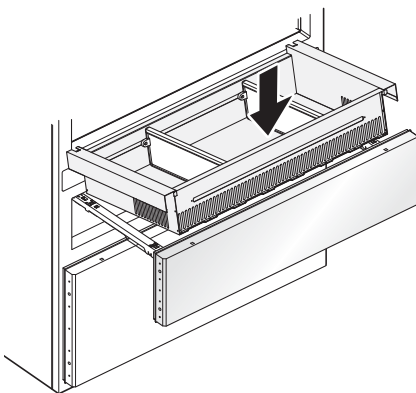
- 1 Sujete la puerta por ambos lados y bájela a su posición en el sistema de guías.



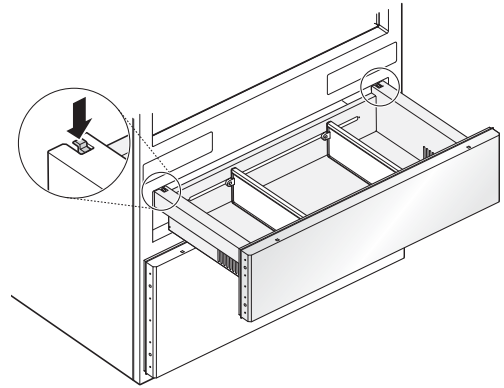
- 2 Apriete los tornillos de los rieles en ambos extremos.



- 3 Abra el cajón al máximo. Baje el cajón sobre el sistema de guías.



- 4 Presione el botón y encaje los toques de los laterales.



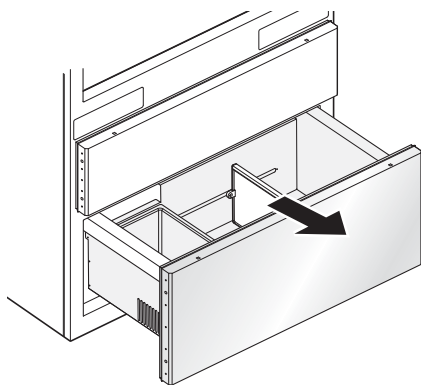
## Cajón para congelador

### Extracción del cajón de congelador

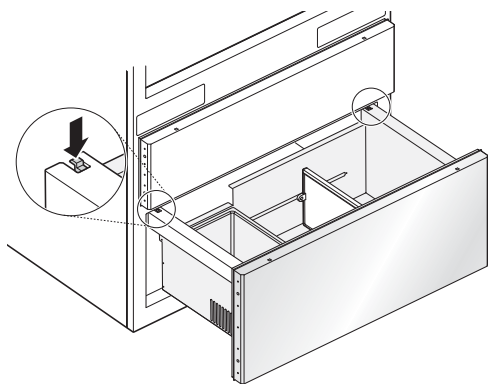
#### NOTA

- Antes de retirar el cajón del congelador, debe quitar el cajón convertible.

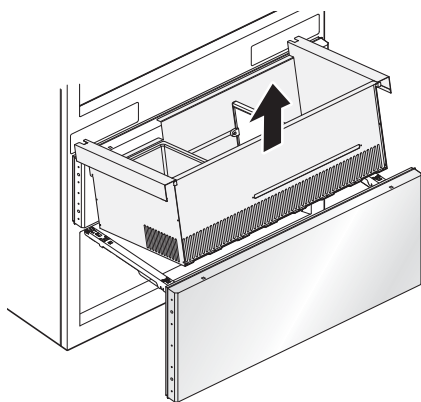
- 1 Tire del cajón hasta que se detenga.  
Vacíe todos el contenido del cajón antes de retirarlo.



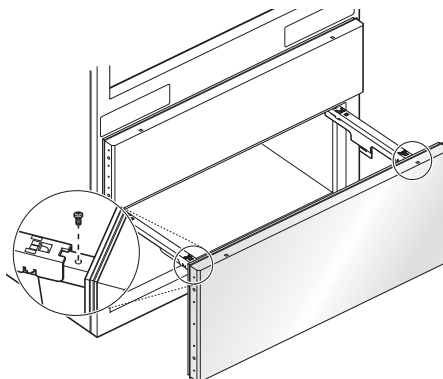
- 2 Presione el botón y quite el tope que tiene en cada uno de los laterales.



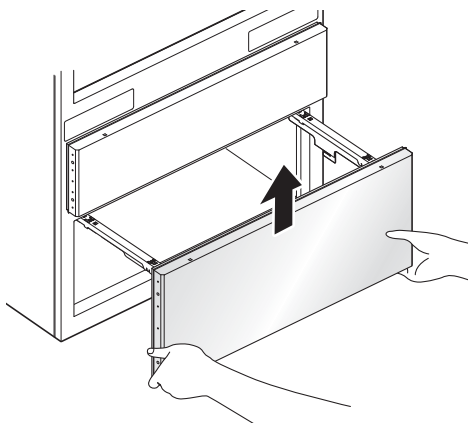
- 3 Retira el cajón levantándolo de las guías.



- 4 Retire los tornillos de los rieles en ambos extremos.



- 5 Sujete los dos lados de la puerta y levántela para retirarla del sistema de guías.

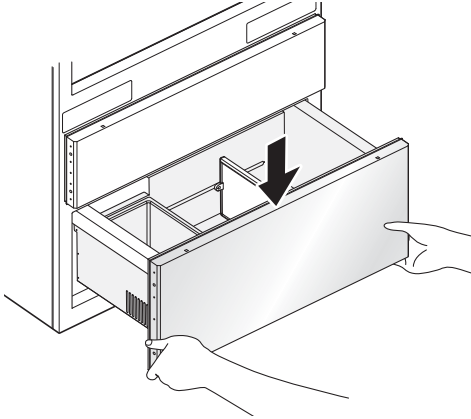


## Montaje del cajón del congelador

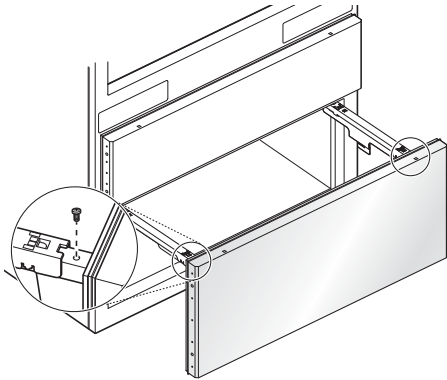
### NOTA

- Antes de colocar el cajón del congelador debe haber retirado el cajón convertible.

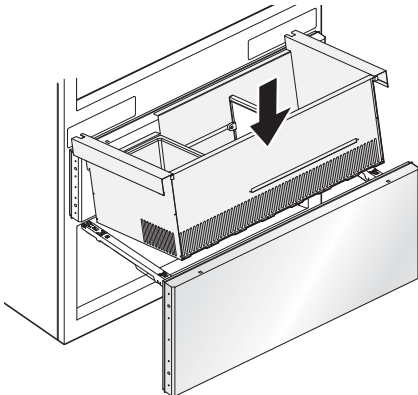
- 1 Sujete la puerta por ambos lados y bájela a su posición en el sistema de guías.



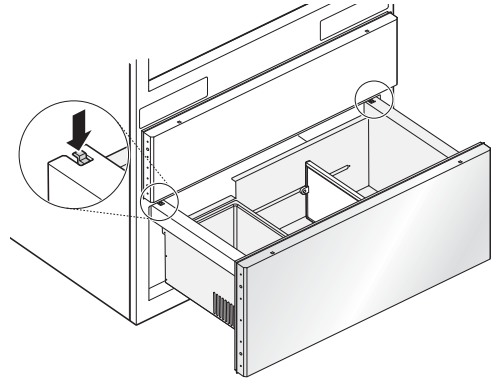
- 2 Apriete los tornillos de los rieles en ambos extremos.



- 3 Abra el cajón al máximo. Baje el cajón sobre el sistema de guías.

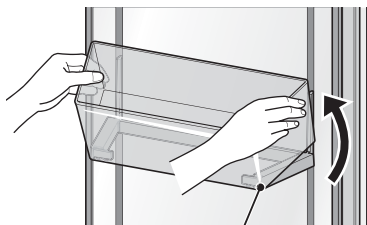


- 4 Presione el botón y encaje los topes de los laterales.



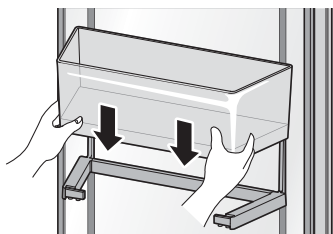
## Compartimentos de la puerta

Para quitar los compartimentos de la puerta, sostenga el recipiente con ambas manos y gírelo sobre el eje.

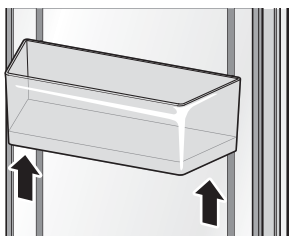


Eje de rotación

Para colocar la bandeja, alinee los dos laterales con las guías y empuje hacia abajo hasta que se ajuste en su posición.



Para ajustar la ubicación de la bandeja, incline la parte frontal de la bandeja hacia arriba y deslice la bandeja hacia arriba o hacia abajo hasta la ubicación deseada.



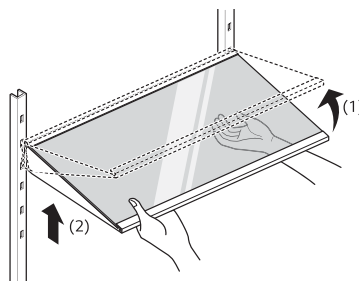
## Ajustando los Estantes

Los estantes del refrigerador son ajustables para satisfacer sus necesidades personales de almacenamiento.

Ajustar los estantes para que quepan artículos de diferentes tamaños hará más fácil la búsqueda de artículos específicos.

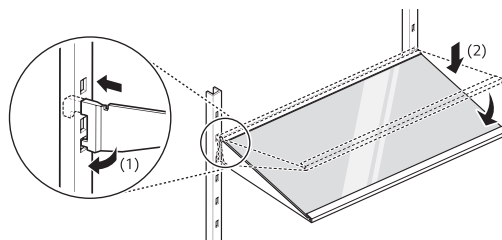
### Desmontaje del estante

- 1 Incline hacia arriba la parte frontal del estante y luego levántelo.
- 2 Retire el estante.



### Ensamblando el Estante

- 1 Incline el frente del estante hacia arriba y guíe los ganchos hacia dentro de las ranuras a la altura deseada.
- 2 Baje el frente del estante para que los ganchos caigan dentro de las ranuras.



### ⚠ PRECAUCIÓN

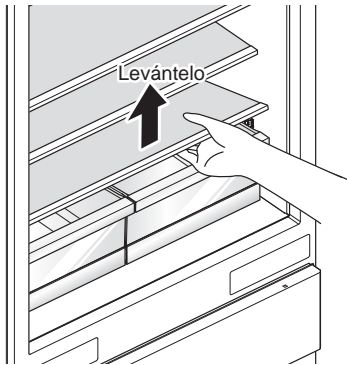
- Asegúrese de que los estantes estén nivelados de un lado al otro. No seguir esta indicación podría resultar en la caída del estante o en alimentos derramados.
- No limpie estantes de vidrio con agua tibia cuando estén fríos. Estos pueden romperse al estar expuestos a impactos o cambios de temperatura repentinos.
- Los estantes de vidrio son pesados. Tenga especial cuidado al removerlos.



## Cajón para verduras

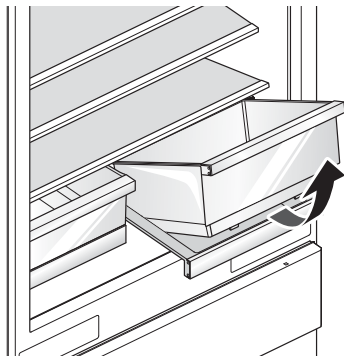
### Desmontaje del cajón para verduras

- Levante el cajón y desmóntelo.



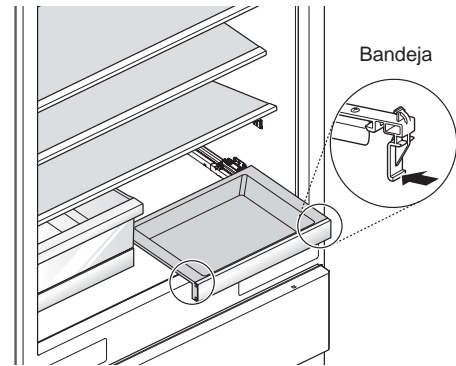
### Saque el cajón de la bandeja

- Tire del cajón de la bandeja hasta el final.
- Levante el cajón de la bandeja hasta que se desmonte.



### Cómo desmontar el cajón de la cubierta

- 1 Desmonte el cajón de la bandeja.
- 2 Tire del cajón de la cubierta hasta el final.
- 3 Empuje el bastidor y levante el cajón de la cubierta (el bastidor se encuentra en el riel deslizante izquierdo y derecho)



### ⚠ PRECAUCIÓN

- Asegúrese de que las bandejas queden niveladas de un lado al otro. En caso contrario, podría caerse la bandeja o caerse los alimentos.
- No limpie el cristal del cajón para verduras con agua tibia mientras está frío. Las bandejas podrían romperse por el repentino cambio de temperatura o impactos.
- El cajón para verduras es pesado. Tenga mucho cuidado al retirarlo.

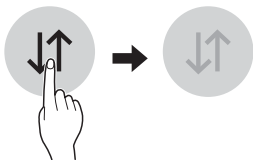
# FUNCIONES INTELIGENTES

## Aplicación SIGNATURE KITCHEN SUITE

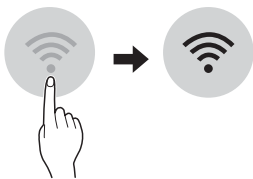
La aplicación SIGNATURE KITCHEN SUITE le permite comunicarse con el electrodoméstico usando un teléfono inteligente.

### Previo a Utilizar la Aplicación


- 1 Verifique la intensidad de la señal inalámbrica cerca del electrodoméstico.
  - Si la distancia entre el electrodoméstico y el enrutador inalámbrico es muy grande, la señal será débil. Puede que le tome más tiempo registrarse o que falle la instalación.
- 2 Desactive los **Datos Móviles** o **Datos Celulares** en su teléfono inteligente.



- 3 Conecte su teléfono inteligente al enrutador inalámbrico.



### NOTA

- Para verificar la conexión Wi-Fi, revise que el icono **Wi-Fi**  en el panel de control esté encendido.
- La máquina soporta únicamente redes Wi-Fi de 2.4 GHz. Para revisar la frecuencia de su red, contacte a su proveedor de servicios de internet o verifique el manual del enrutador inalámbrico.
- La aplicación SIGNATURE KITCHEN SUITE no es responsable de ningún problema de conexión de red ni de errores, fallos o anomalías causadas por la misma.
- El entorno inalámbrico circundante puede hacer que el servicio de red inalámbrica funcione lentamente.
- Si el electrodoméstico tiene problemas conectándose a la red Wi-Fi, puede que se encuentre muy lejos del enrutador. Compre un repetidor de Wi-Fi (Extensión de rango) para mejorar la intensidad de la señal Wi-Fi.
- Es posible que la conexión de red no funcione bien por cuestiones relacionadas con su proveedor de servicios de Internet.
- Es posible que la conexión Wi-Fi no se conecte o se interrumpa debido al entorno de la red doméstica.
- Si el electrodoméstico no puede registrarse debido a problemas con la transmisión de la señal inalámbrica, desconecte el enrutador y espere alrededor de un minuto previo a encenderlo e intentarlo de nuevo.
- Si el cortafuegos de su enrutador inalámbrico está activado, desactívelo o añada una excepción a éste.
- El nombre de la red inalámbrica (SSID) debe ser una combinación de letras y números. (No utilice símbolos especiales)
- La interfaz de usuario (IU) del teléfono inteligente puede variar dependiendo del sistema operativo (OS) del móvil y del fabricante.
- Si el protocolo de seguridad del enrutador está en WEP, puede que deba cambiarlo a WPA2 a manera de registrar el producto exitosamente.

## Instalando la Aplicación SIGNATURE KITCHEN SUITE

Busque la aplicación SIGNATURE KITCHEN SUITE en la tienda Google Play Store o Apple Store desde un teléfono inteligente. Siga las instrucciones para descargar e instalar la aplicación.

### NOTA

- Si elige el inicio de sesión simple para acceder a la aplicación SIGNATURE KITCHEN SUITE, deberá realizar el proceso de registro del electrodoméstico cada vez que cambie de teléfono o reinstale la aplicación.

### NOTA

- Si después de registrar el electrodoméstico cambia su enrutador inalámbrico, proveedor de servicios de internet, o su contraseña, por favor borre el producto de SIGNATURE KITCHEN SUITE **Ajustes** → **Editar Producto** y regístrelo de nuevo.
- La información está actualizada al momento de la publicación. La aplicación está sujeta a cambios con propósito de mejoras en el electrodoméstico sin previo aviso a los usuarios.

## Características de la Aplicación SIGNATURE KITCHEN SUITE

### Administrador de Alimentos

Esta característica ayuda a buscar artículos en el refrigerador y congelador, envía alertas cuando artículos están cerca de sus fechas de caducidad, genera listas de compras y vincula a recetas relacionadas.

### Energy Monitoring (Monitoreo de energía)

Esta función lleva un registro del consumo de energía del refrigerador y la cantidad de veces que se abrió la puerta.

### Mensajes Push

Si la puerta permanece abierta durante más de diez minutos, recibirá un mensaje automático. Cuando Ice Plus haya finalizado, recibirá un mensaje de notificación.

### Smart Diagnosis™

Esta función brinda información útil para diagnosticar y resolver problemas con el producto conforme a su patrón de uso.

### Configuración

Le permite ajustar varias opciones en el refrigerador y en la aplicación.

## Función Smart Grid (Red Inteligente)

Cuando el refrigerador opera en modo Smart Grid (Red Inteligente), la función Refrigerador Inteligente puede controlar el uso de energía o retrasar la operación de algunas funciones para ahorrar energía durante períodos de uso pico.

- Puede anular la función Smart Grid (Red Inteligente) en cualquier momento (usando el botón o aplicación **Smart Grid**).
- Para usar la función Smart Grid (Red Inteligente), necesita registrar su electrodoméstico con su compañía eléctrica.

## Características de la Aplicación Smart Grid (Red Inteligente)

### Ahorro Inteligente\_Respuesta bajo Demanda

Puede disminuir el uso de energía de acuerdo a las señales de Respuesta a la demanda (DR) de la compañía de energía. Si el refrigerador está funcionando en modo ahorro inteligente de acuerdo a la señal DR, verá un mensaje emergente.

### Ahorro de Energía por Temporada

Menor uso de energía basado en un período de tiempo.

## Usando la Función Smart Grid (Red Inteligente)

Esta característica responde a eventos de notificación de su compañía eléctrica para llevar a cabo tareas de alto consumo energético durante períodos no pico cuando la demanda es baja. Estos eventos de notificación son conocidos como señales de Respuesta Bajo Demanda.

Si el refrigerador recibe una señal de Respuesta Bajo Demanda de la compañía eléctrica, éste activará el LED de Red (Grid LED) en la pantalla y controlará su consumo energético de acuerdo a la señal.

El refrigerador responderá a las señales recibidas desde la compañía eléctrica siempre y cuando se le dé mantenimiento al desempeño del producto.

Si el refrigerador recibe una señal de Respuesta Bajo Demanda, éste operará en modo Retardo de Carga del Electrodoméstico (DAL) o Reducción Temporal de Carga del Electrodoméstico (TALR).

### Retardo de Carga del Electrodoméstico (DAL)

El refrigerador responde a la señal DAL proporcionando una reducción moderada de carga durante la duración del período de retraso.

Este modo controla funciones que consumen mucha energía como el ajustado del sistema de enfriado, ciclo de descongelado y producción de hielo.

- Cuando el refrigerador opera en modo DAL, el LED de Red (Grid LED) se ilumina en la pantalla del refrigerador.
- El modo DAL es desactivado automáticamente luego del período estipulado por la señal DAL (máx. 4 horas) o cuando anula la función Smart Grid.

## Reducción Temporal de Carga del Electrodoméstico (TALR)

El refrigerador responde a la señal TALR al reducir agresivamente la carga por un corto período de tiempo, típicamente de 10 minutos. Este modo reduce el consumo de energía al detener el compresor y controlar las funciones que consumen mucha energía como el ciclo de descongelado y el ventilador.

- Cuando el refrigerador opera en modo TALR, el LED de Red (Grid LED) se ilumina en la pantalla.
- El modo TALR es desactivado automáticamente luego del período estipulado por la señal (máx. 10 minutos) o cuando anula la función Smart Grid. El modo es desactivado inmediatamente y el refrigerador vuelve a su estado normal cuando la puerta es abierta o cerrada, o cuando el dispensador es utilizado.

### Anule el Modo Smart Grid (Red Inteligente)

Para ignorar la señal de Respuesta bajo Demanda de la compañía eléctrica y anular la función Smart Grid, presione el botón **Smart Grid** mientras el refrigerador está en modo Smart Grid.

Cuando anula la función Smart Grid, el refrigerador ignora la señal de Respuesta bajo Demanda y este ya no es controlado por la compañía eléctrica hasta que la siguiente es enviada. También puede anular la función Smart Grid usando la aplicación para teléfonos inteligentes.

## API Abierto de SIGNATURE KITCHEN SUITE

Puede administrar las características de Smart Grid para el refrigerador SIGNATURE KITCHEN SUITE. Sírvase revisar las especificaciones detalladas en la página de aviso en [www.signaturekitchensuite.com](http://www.signaturekitchensuite.com).

### Lista API

Respuesta bajo Demanda

- Enviar señal de respuesta bajo demanda

Ahorro de Energía

- Configurar modo de ahorro
- Obtener programación de DR/Retraso de Descongelado

Energy Monitoring (Monitoreo de energía)

- Obtener evento puerta abierta
- Obtener consumo de energía

Capacidad de Retraso de Descongelado

- Introducir un evento de programación de retraso de descongelado.
- Actualizar un evento de programación de retraso de descongelado
- Borrar un evento de programación de descongelado atrasado
- Obtener programación de descongelado atrasado.

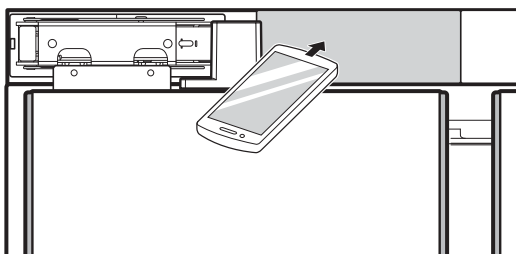
## Función Smart Diagnosis™ (Diagnóstico Inteligente)

En caso de experimentar algún problema con el aparato, éste tiene la capacidad de transmitir datos a través de su teléfono al Centro de información SIGNATURE KITCHEN SUITE. Los modelos equipados con NFC o Wi-Fi pueden también transmitir datos a un teléfono inteligente usando la aplicación SIGNATURE KITCHEN SUITE.

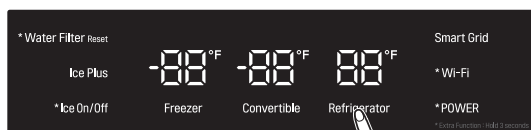
### Smart Diagnosis™ a través del Centro de Información al cliente

Este método le permite hablar directamente con uno de nuestros especialistas cualificados. El especialista registra los datos transmitidos desde el aparato y los usa para analizar el problema, así le brinda un diagnóstico efectivo y rápido.

- 1 Comuníquese con el Centro de información al cliente de SIGNATURE KITCHEN SUITE llamando al: (EE. UU.) 1-855-790-6655
- 2 Abra la puerta del refrigerador.
- 3 Cuando se lo indique el centro de llamadas, sostenga el micrófono de su teléfono frente al altavoz que se encuentra ubicado en la cubierta del filtro del refrigerador.



- 4 Mantenga presionado el botón **Refrigerator** por tres segundos mientras continúa sosteniendo su teléfono contra el altavoz.



- 5 Tras escuchar tres pitidos, suelte el botón **Refrigerator**.
- 6 Mantenga el teléfono en esa posición hasta que el tono de transmisión haya finalizado. La pantalla mostrará la cuenta regresiva del tiempo. Una vez la cuenta regresiva haya terminado y los tonos se hayan detenido, continúe su conversación con el especialista, quien podrá asistirle en utilizar la información transmitida para análisis.

#### NOTA

- Para obtener resultados óptimos, no mueva el teléfono mientras se transmiten los tonos.
- Si el agente del centro de atención no puede obtener una grabación precisa de los datos, es posible que le pida que lo intente nuevamente.
- La calidad de la función Smart Diagnosis™ depende de la calidad de la llamada local.
- Una llamada de mala calidad puede resultar en la mala transmisión de los datos desde su teléfono al centro de llamadas, por lo que Smart Diagnosis™ podría no funcionar adecuadamente.

### Smart Diagnosis™

Use la función Smart Diagnosis (Diagnóstico Inteligente) en la aplicación SIGNATURE KITCHEN SUITE para ayudar a diagnosticar problemas sin la ayuda del Centro de información del cliente de SIGNATURE KITCHEN SUITE.

Siga las instrucciones en la aplicación SIGNATURE KITCHEN SUITE para realizar un Diagnóstico Inteligente usando su teléfono inteligente.

#### NOTA

- Smart Diagnosis™ no puede activarse a menos que el electrodoméstico se encienda usando el botón **Power** (Encendido/Apagado). Si no es posible encender el electrodoméstico, entonces la resolución de problemas debe llevarse a cabo sin usar Smart Diagnosis™.

## Aviso FCC

El siguiente aviso cubre el módulo transmisor contenido en este producto.

Este equipo ha sido evaluado y se encuentra en conformidad con los límites del equipo digital Clase B, dispuesto en la Parte 15 de las Reglas FCC, y también en la Parte 18 de las Reglas FCC. Estos límites están designados para proveer una protección razonable contra interferencia dañina en una instalación residencial. Este equipo genera, usa, y emite energía de radio frecuencias y, si no se instala y utiliza de acuerdo a las instrucciones, podría causar interferencia dañina a las radio comunicaciones. De cualquier manera, no existe garantía de que no ocurrirá interferencia en una instalación particular. Si este equipo causara interferencia dañina a la recepción de radio o televisión, lo cual puede ser determinado al encenderlo y apagarlo, se alienta al usuario a intentar corregir la interferencia con una o más de las siguientes medidas

- Reoriente o reubique la antena receptora.
- Incremente la distancia entre el equipo y el receptor.
- Conecte el equipo a un enchufe en un circuito diferente al del receptor.
- Consulte con un distribuidor o un técnico experimentado en radio/TV para recibir ayuda.

Este equipo se encuentra en conformidad con la parte 15 y 18 de las Reglas FCC. El funcionamiento está sujeto a las dos condiciones siguientes:

- 1) este dispositivo puede no causar interferencia dañina; y
- 2) este dispositivo debe aceptar cualquier interferencia, incluyendo aquella que pueda causar el funcionamiento no deseado del dispositivo.

Cualquier cambio o modificación en la construcción de este dispositivo, que no esté aprobado expresamente por la parte responsable de su cumplimiento, podría anular la autoridad del usuario de operar el equipo.

## Declaración de Exposición a Radiación FCC RF

Este equipo se encuentra en conformidad con los límites de exposición a radiación FCC enunciados para un ambiente no controlado. Este transmisor no debe ser ubicado u operado en conjunto con cualquier otra antena o transmisor.

Este equipo debe ser instalado y operado con una distancia mínima de 20 cm (7.8 pulgadas) entre la antena y su cuerpo. Los usuarios deben seguir las instrucciones operativas específicas para satisfacer el cumplimiento de exposición RF.

## Declaración de Industria Canadiense (Para el módulo transmisor contenido en este producto)

Este dispositivo cumple con la exención de licencia aplicable de la industria de Canadá RSSs. El funcionamiento está sujeto a las dos condiciones siguientes:

- 1) Este dispositivo puede no causar interferencia dañina; y
- 2) Este dispositivo debe aceptar cualquier interferencia, incluyendo aquella que pueda causar el funcionamiento no deseado del dispositivo.

Industria Canadiense ICES-001 Etiqueta de Conformidad: CAN ICES-1/NMB-1

## Declaración de Exposición a Radiación IC

Este equipo cumple con los límites de exposición a radiación IC establecidos para un entorno no controlado.

Este equipo debe ser instalado y operado con una distancia mínima de 20 cm (7.8 pulgadas) entre la antena y su cuerpo.

### NOTA

- El fabricante no se hace responsable por cualquier interferencia de radio o TV causada por una modificación no autorizada a este equipo. Dichas modificaciones podrían anular la autoridad del usuario para operar el equipo.

### Especificaciones de Módulo LAN Inalámbrico

Modelo	LCW-003
Rango de Frecuencia	2412 MHz - 2462 MHz
Potencia de Salida (Max)	IEEE 802.11b: 17.56 dBm IEEE 802.11g: 25.53 dBm IEEE 802.11n: 25.29 dBm

## Información de Anuncio de Programas de Código Abierto

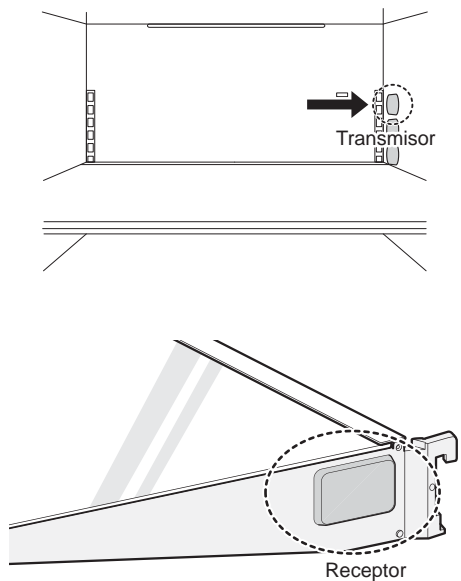
Para obtener el código fuente bajo GPL, LGPL, MPL y otras licencias de fuente abierta, que esté contenido en este producto, por favor visite <http://opensource.signaturekitchensuite.com>

Adicional al código fuente, todos los términos de referencia de la licencia, renuncias de garantía y notificaciones de derechos de autor están disponibles para descarga.

SIGNATURE KITCHEN SUITE también le puede proveer el código de fuente abierta en un CD por un cargo que cubra el costo de distribución (como el costo de los medios, envío, y manejo) al requerirlo mediante correo electrónico a [opensource@signaturekitchensuite.com](mailto:opensource@signaturekitchensuite.com)

Esta oferta es válida por un período de tres años después de nuestro último envío de este producto. Esta oferta es válida para cualquier que haya recibido esta información.

Especificaciones de Transferencia de Energía Inalámbrica	
Frecuencia	330 kHz ~ 370 kHz
Voltaje Nominal	DC 12 V
Alimentación suministrada	Menor que, e igual a, 3W por estante.
Modo de transmisión	Inducción electromagnética



**NOTA**

- Objetos extraños y suciedad entre el lado derecho del estante y la pared del gabinete externo podrían prevenir que la luz del estante encienda.
- La luz del estante se enciende cuando la puerta se abre.
- La luz del estante se apaga después de siete minutos o cuando la puerta se cierra.

# MANTENIMIENTO

## Limpieza

### ⚠ ADVERTENCIA

- Utilice un limpiador no inflamable. No hacerlo podría resultar en un incendio, explosión, o incluso la muerte.

### ⚠ PRECAUCIÓN

- No use un trapo abrasivo o esponja mientras limpia el interior y exterior del refrigerador.
- No coloque su mano en la superficie inferior del refrigerador cuando abra y cierre las puertas.

## Consejos Generales de Limpieza

- El refrigerador se descongela automáticamente; sin embargo, límpielo una vez al mes para prevenir olores.
- Limpie derrames inmediatamente.
- Desconecte el refrigerador o la corriente eléctrica previo a la limpieza.
- Remueva todas las partes removibles, como los estantes.
- Use una esponja limpia o un paño suave y un detergente ligero en agua tibia. No utilice abrasivos o limpiadores ásperos.
- Lave a mano, enjuague y seque todas las superficies intensivamente.
- Al limpiar el interior o exterior del electrodoméstico, no utilice un cepillo duro, pasta dental, o materiales inflamables. No utilice agentes de limpieza que contengan sustancias inflamables.
  - Esto podría causar decoloración o daños al electrodoméstico.
  - Sustancias inflamables: alcohol (etanol, metanol, alcohol isopropílico, alcohol isobutílico, etc.), disolventes, cloro, benceno, líquidos inflamables, abrasivos, etc.

## Paredes Interiores

Como ayuda para remover olores, lave el interior del refrigerador con una mezcla de bicarbonato de sodio y agua tibia. Mezcle 2 cucharadas de bicarbonato de sodio con 1 cuarto de galón de agua (26 g de bicarbonato en 1 litro de agua). Asegúrese de que el bicarbonato de sodio esté completamente disuelto para que este no raye las superficies del refrigerador .

## Revestimientos de Puertas y Juntas

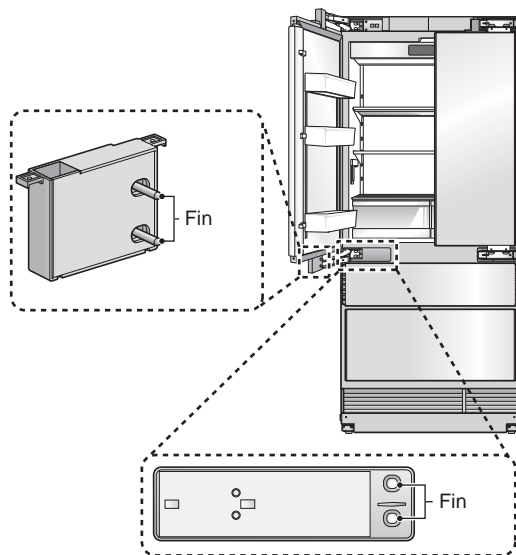
Use una esponja limpia o un paño suave y un detergente ligero en agua tibia. No utilice ceras de limpieza, detergentes concentrados, lejías o limpiadores que contengan petróleo en las partes plásticas del refrigerador.

## Partes Plásticas (Cubiertas y Paneles)

Use una esponja limpia o un paño suave y un detergente ligero con agua tibia. No utilice limpiadores de vidrio, limpiadores abrasivos o líquidos inflamables. Estos pueden rayar o dañar el material.

## Piezas finales

Utilice una esponja limpia o un paño suave. No utiliza sprays limpiacristales, limpiadores abrasivos ni líquidos inflamables. Podrían dañar de la Terminal.




### ⚠ PRECAUCIÓN

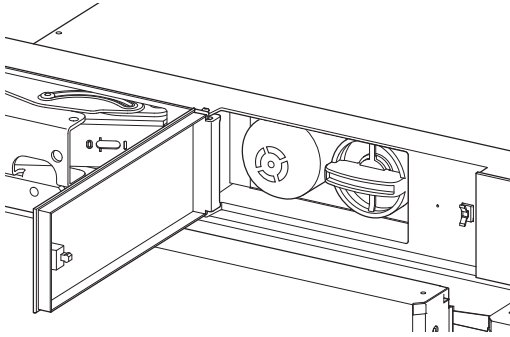
- Utilice una esponja limpia o un paño suave solamente. De lo contrario, puede provocar un incendio, una explosión o incluso la muerte.



## Reemplazo del Filtro de Agua

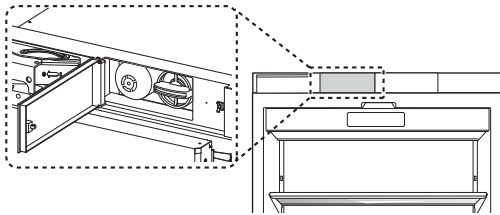
Reemplace el Filtro de Agua

- Aproximadamente cada seis meses.
- Cuando el icono **Replace Filter** (Reemplace Filtro)  se encienda.
- Cuando la producción de la máquina de hielo disminuye.



### 1 Retire el filtro de agua viejo

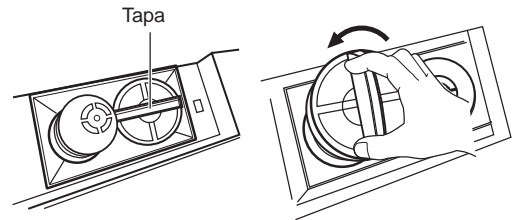
Presione para abrir la cubierta del filtro de agua en la parte superior derecha del refrigerador.



#### NOTA

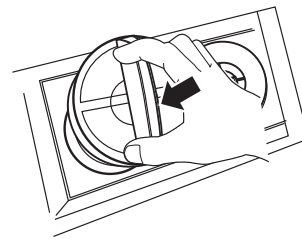
- Reemplazar el filtro de agua causa que una pequeña cantidad de agua (alrededor de 1 oz o 25 cc) se drene.
- Envuelva un paño alrededor del extremo frontal de la cubierta del filtro para detener cualquier fuga de agua. Una vez removido, sujete el filtro de agua en posición vertical a manera de prevenir que el agua remanente se salga.

- Coloque la tapa en el filtro de agua, luego sujétela y gírela hacia la izquierda para remover el filtro de agua de la cabeza del filtro.

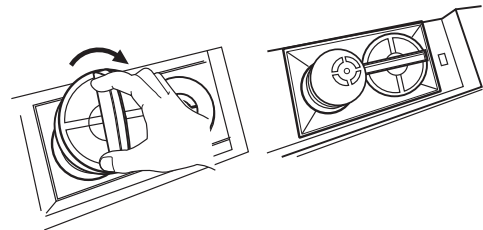


### 3 Reemplace con un nuevo filtro de agua.

Retire el nuevo filtro de agua de su empaque y remueva la cubierta protectora de los anillos. Coloque la tapa en el nuevo filtro de agua, y luego empújelo en el agujero colector hasta que se detenga.



- Sujete y rote la tapa hacia la derecha hasta que se detenga. Reemplace la tapa al lado del filtro de agua.

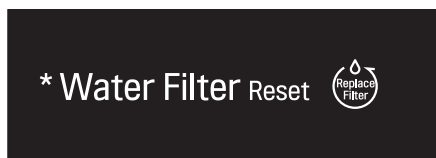


- Luego de reemplazar el filtro de agua, dispense 2.5 galones de agua (deje correr el agua por aproximadamente 5 minutos) para remover el aire atrapado y los contaminantes del sistema.

#### NOTA

- No dispense los 2.5 galones completos de manera continua. Presione y suelte el botón del dispensador en ciclos de 30 segundos ENCENDIDO y 60 segundos APAGADO.

- 6 Luego de cambiar el filtro, mantenga presionado el botón **Water Filter Reset** por tres segundos para reiniciar la luz indicadora.



### NOTA

#### Para comprar un filtro de agua de repuesto:

- Visite a su proveedor o distribuidor local
- Web : Encuentre Partes y Accesorios en la sección de soporte de [signaturekitchensuite.com](http://signaturekitchensuite.com)
- Llame : (EE. UU.) 1-855-790-6655

#### Para mayor asistencia, llame al: (EE. UU.) 1-855-790-6655

- Utilice Cartucho de Reemplazo:  
**LT1000P-S (ADQ74793506)**

## Hoja de Datos de Rendimiento

Modelo: LT1000P-S

Código del Nombre Comercial del Sistema : MDJ64844601

La concentración de las sustancias indicadas en el agua ingresando al sistema ha sido reducida a una concentración menor o igual al límite permisible para el agua saliendo del sistema, como ha sido especificado en NSF/ANSI Estándar 42, Estándar 53 y Estándar 401.



Sistema probado y certificado por NSF International según los estándares NSF/ANSI 42, 53 y 401 para la reducción de las siguientes sustancias.

Reducción de sustancia	Objetivo Influyente Medio	Concentración Objetivo especificada por NSF	% Reducción Promedio	Concentración de Agua del Producto Promedio	Concentración Máxima Permissible de Agua del Producto	Requisitos de Reducción NSF
Olor y Sabor a Cloro	2.0 µg/L	2.0 µg/L ± 10%	>97.5%	0.050 µg/L	N/A	≥ 50.00%
Partícula Nominal Clase I, , ≥ 0.5 a < 1.0 µm	12,000,000 pts/mL	Al menos 10,000 partículas/mL	99.80%	24,000 pts/ml	N/A	≥ 85.00%
Asbesto	180 MFL	De 10 <sup>7</sup> a 10 <sup>8</sup> MFL; fibras mayores a 10 µg en longitud.	>99.00%	< 1 MFL	N/A	≥ 99.00%
Atracina	8.5 µg/L	9.0 µg/L ± 10%	>94.10%	0.500 µg/L	3.0 µg/L	NA
Benceno	15.0 µg/L	15.0 µg/L ± 10%	>96.60%	0.510 µg/L	5.0 µg/L	NA
Carbofurano	74.0 µg/L	80.0 µg/L ± 10%	98.30%	1.258 µg/L	40 µg/L	NA
Lindano	1.9 µg/L	2.0 µg/L ± 10%	>99.00%	0.019 µg/L	0.2 µg/L	NA
P-Diclorobenceno	230.0 µg/L	225.0 µg/L ± 10%	>99.80%	0.460 µg/L	75.0 µg/L	NA
2,4-D	210.0 µg/L	210.0 µg/L ± 10%	>99.90%	0.210 µg/L	70.0 µg/L	NA
Plomo pH @6.5	140.0 µg/L	150.0 µg/L ± 10%	99.60%	0.560 µg/L	10.0 µg/L	NA
Plomo pH @8.5	150.0 µg/L	150.0 µg/L ± 10%	>99.70%	<0.500 µg/L	10.0 µg/L	NA
Mercurio @ pH6.5	5.9 µg/L	6.0 µg/L ± 10%	91.00%	0.531 µg/L	2.0 µg/L	NA

(Continúa en la siguiente página)

Reducción de sustancia	Objetivo Influyente Medio	Concentración Objetivo especificada por NSF	% Reducción Promedio	Concentración de Agua del Producto Promedio	Concentración Máxima Permissible de Agua del Producto	Requisitos de Reducción NSF
Mercurio @ pH8.5	5.6 µg/L	6.0 µg/L ± 10%	92.5%	0.420 µg/L	2.0 µg/L	NA
Quistes*	100,000 quistes/L	Mínimo de 50,000 quistes/L	>99.99%	10 quistes/L	N/A	≥ 99.95%
Atenolol	240 ng/L	200 ± 40% ng/L	> 95.50%	10.80 ng/L	30 ng/L	NA
Carbamazepina	1600 ng/L	1400 ± 40% ng/L	98.40%	25.60 ng/L	200 ng/L	NA
DEET	1600 ng/L	1400 ± 40% ng/L	97.10%	46.40 ng/L	200 ng/L	NA
Trimetoprima	170 ng/L	140 ± 40% ng/L	>96.80%	5.44 ng/L	20 ng/L	NA
Linuron	160 ng/L	140 ± 40% ng/L	>96.60%	5.44 ng/L	20 ng/L	NA
Fenitoína	200 ng/L	200 ± 40% ng/L	>94.80%	10.40 ng/L	30 ng/L	NA
Ibuprofeno	400 ng/L	400 ± 40% ng/L	>94.50%	22.00 ng/L	60 ng/L	NA
Naproxeno	140 ng/L	140 ± 40% ng/L	>96.10%	5.46 ng/L	20 ng/L	NA
Estrona	120 ng/L	140 ± 40% ng/L	>96.10%	4.68 ng/L	20 ng/L	NA
Bisfenol A	2000 ng/L	2000 ± 40% ng/L	>98.90%	22.00 ng/L	300 ng/L	NA
Nonilfenol	1600 ng/L	1400 ± 40% ng/L	>97.10%	46.40 ng/L	200 ng/L	NA

- Basado en el uso de ooquistes de *Cryptosporidium parvum*.

Lineamientos de Aplicación / Parámetros de Suministro de Agua	
Flujo de Servicio	0.5 gpm (1.89 lpm)
Suministro de Agua	Pozo Comunitario o Privado - Agua Potable
Presión de Agua	20 – 120 psi (138 – 827 kPa)
Temperatura del agua	33 °F – 100 °F (0.6 °C – 37.8 °C)
Capacidad	200 galones (757 litros)

Es indispensable que se realicen la instalación recomendada por el fabricante, el mantenimiento y los requerimientos de remplazo del filtro para que el producto funcione adecuadamente.

#### NOTA

- Aunque se llevaron a cabo las pruebas en condiciones estándar de laboratorio, el desempeño real podría variar.

Cartucho de Reemplazo: **LT1000P-S**

Para filtros de reemplazo, visite a su proveedor o distribuidor local, o busque “filtros de agua” en el sitio web [signaturekitchensuite.com](http://signaturekitchensuite.com)

Para asistencia adicional, el Centro de Información al Cliente SIGNATURE KITCHEN SUITE está abierto 24 horas al día/7 días a la semana.

EE.UU: 1-855-790-6655

NSF es una marca registrada de NSF

## ADVERTENCIA

### Para reducir el riesgo asociado con asfixia:

- No permita que los niños menores de 3 años tengan acceso a las piezas pequeñas durante la instalación de este producto.

### Para reducir el riesgo asociado con la ingesta de contaminantes:

- No lo utilice con agua microbiológicamente insegura o de calidad desconocida sin la desinfección adecuada antes o después del sistema. Sistemas certificados para reducción de quistes pueden ser utilizados en agua desinfectada que pueda contener quistes filtrables. Establecimiento EPA # 070595-MEX-001

## PRECAUCIÓN

### Para reducir el riesgo asociado con daños a la propiedad debido a fugas de agua:

- Lea y siga las Instrucciones de Uso previo a la instalación y el uso de este sistema.
- La instalación y uso DEBEN cumplir con toda la normativa de plomería estatal y local.
- No lleve a cabo la instalación si la presión del agua excede los 120 psi (827 kPa). Si la presión de su agua excede los 80 psi, debe instalar una válvula limitante de presión. Contacte a un plomero si no sabe con certeza cómo verificar la presión del agua.
- No lleve a cabo la instalación donde puedan ocurrir condiciones de golpe de ariete. Si existen condiciones de golpe de ariete, debe instalar un protector para éste. Contacte a un plomero si no sabe con certeza cómo verificar ésta condición.
- No lleve a cabo la instalación en líneas de suministro de agua caliente. La temperatura máxima de operación de este sistema de filtrado es de 100 °F (37.8 °C).
- Evite la congelación del filtro. Drene el filtro cuando la temperatura caiga debajo de 40 °F (4.4 °C).
- El cartucho de filtro desechable DEBE sustituirse cada 6 meses, con la capacidad nominal o si se observa una significativa reducción del caudal.
- Para proteger de la congelación, remueva el cartucho del filtro cuando se prevea que las temperaturas puedan ser inferiores a 33° F.
- No instale sistemas en áreas donde la temperatura ambiente pueda superar los 110° F (43.3° C).
- Donde se instale un dispositivo de prevención de reflujo en un sistema de agua, deberá instalarse un dispositivo para controlar la presión debido a la expansión térmica.
- Asegúrese de que todas las tuberías y conexiones estén correctamente instaladas y sin fugas.

# SOLUCIÓN DE PROBLEMAS

## Preguntas frecuentes

**P: ¿Cuál es la mejor configuración de temperatura para mi congelador?**

R: La configuración predeterminada para el congelador es de 0° Fahrenheit (-18° Celsius). Ajuste esta configuración según sus necesidades para mantener los alimentos a la temperatura deseada. Los helados deben mantenerse firmes y los cubos de hielo no deben derretirse en el congelador. Para cambiar de Fahrenheit a Celsius en la pantalla, primero presione el botón Freezer para activar la pantalla y luego mantenga presionados los botones Freezer y Smart Grid hasta que escuche un tono y cambie la configuración en la pantalla.

**P: ¿Cuál es la mejor configuración de temperatura para mi refrigerador?**

R: La configuración predeterminada para el refrigerador es de 37° Fahrenheit (3° Celsius). Ajuste esta configuración según sus necesidades para mantener los alimentos a la temperatura deseada. Para cambiar de Fahrenheit a Celsius en la pantalla, primero presione el botón Refrigerator para activar la pantalla y luego mantenga presionados los botones Refrigerator y Smart Grid hasta que escuche un tono y cambie la configuración en la pantalla.

**P: ¿Cómo configuro la temperatura?**

R: Mantenga presionados los botones **Refrigerador** y **Congelador del panel de control hasta que aparezca la temperatura deseada**. Al presionar continuamente, los números cambiarán del más alto al más bajo y luego volverán al más alto de nuevo.

**P: ¿Por qué escucho un zumbido periódicamente desde mi congelador?**

R: Esto podría pasar si no tiene un suministro de agua conectado al congelador y la máquina de hielo está encendida. Si no tiene un suministro de agua conectado al congelador debería apagar la máquina de hielo en el panel de control.

**P: ¿Por qué el recipiente del dispensador de hielo se ve encorvado?**

R: Esta es una parte normal del ciclo del dispensador de hielo. La bandeja del dispensador de hielo puede parecer nivelada o con una leve inclinación. El cambio de posición es para asistir el proceso de congelación.

**P: Mi congelador está encendido y los controles están funcionando, pero no está enfriando y la pantalla muestra "OF" (Vea abajo). ¿Qué está mal?**

R: El congelador está en Modo de Exhibición. El Modo de Exhibición deshabilita todo el enfriamiento para conservar energía mientras el electrodoméstico se exhibe en una tienda. Para restaurar la operación normal, primero presione el botón Freezer para activar la pantalla y luego mantenga presionados los botones Freezer y Water Filter Reset hasta que escuche un tono y aparezca la configuración de temperatura en la pantalla. Utilice el mismo procedimiento para regresar el congelador al Modo de Exhibición, si así lo desea.



## Antes de llamar al servicio técnico

Revise esta sección antes de llamar para servicio; hacerlo le ahorrará tiempo y dinero.

### Enfriamiento

Problema	Causa posible	Soluciones
Las secciones del Refrigerador y Congelador no están enfriando.	El control está en la posición APAGADO (algunos modelos).	Configure el control en la posición de ENCENDIDO. Consulte la Configuración en la sección Controles para los ajustes apropiados de temperatura.
	El Refrigerador está configurado en Modo de Exhibición.	El Modo de Exhibición permite que las luces y la pantalla de control operen normalmente mientras, a la vez, deshabilita el enfriamiento para ahorrar energía mientras el refrigerador está en la sala de exhibición. Vea la sección de Preguntas Frecuentes (FAQs) de este manual para obtener instrucciones sobre cómo deshabilitar el Modo de Exhibición.
	El refrigerador está en el ciclo de descongelado.	Durante el ciclo de descongelado, la temperatura de cada compartimento puede incrementarse levemente. Espere 30 minutos y confirme que la temperatura apropiada haya sido restaurada una vez que el ciclo de descongelado haya sido completado.
	El refrigerador fue instalado recientemente.	Puede tomar hasta 24 horas para que cada compartimento alcance la temperatura deseada.
	El refrigerador fue reubicado recientemente.	Si el refrigerador estaba almacenado o reclinado por un largo período de tiempo, es necesario que éste se mantenga en posición vertical por 24 horas previo a conectarlo a la corriente eléctrica.
El sistema de enfriamiento se ejecuta mucho.	El refrigerador está reemplazando un modelo anterior.	Los refrigeradores modernos requieren más tiempo de operación pero usan menos energía debido a tecnología más eficiente.
	El refrigerador fue conectado recientemente o su fuente de energía fue restablecida.	Puede tomar hasta 24 horas para que el refrigerador enfríe completamente.
	La puerta es abierta frecuentemente o una gran cantidad de alimentos / alimentos calientes fueron añadidos.	Al añadir alimentos y abrir las puertas, el refrigerador se calienta, requiriendo que el compresor se ejecute más tiempo a manera de enfriarlo de nuevo. A manera de conservar energía, intente retirar todo lo que necesita del refrigerador al mismo tiempo, mantenga los alimentos organizados para que sea fácil encontrarlos, y cierre la puerta en cuanto los alimentos sean retirados. (Consulte la Guía de Almacenamiento de Alimentos.)
	Las puertas no están completamente cerradas.	Cierre las puertas firmemente. Si éstas no cierran completamente, vea la sección Puertas no cierran o abren completamente en Solución de Problemas.
	El refrigerador está instalado en una ubicación caliente.	El compresor se ejecutará por más tiempo en condiciones templadas. A una temperatura ambiente normal (70 °F) puede esperar que su compresor se ejecute alrededor del 40 % al 80 % del tiempo. Bajo condiciones más calientes, éste se ejecutará más a menudo. El refrigerador no debe ser operado a una temperatura superior a 110 °F.

## Enfriamiento

Problema	Causa posible	Soluciones
<b>Acumulación de humedad interior.</b>	<b>Las puertas están abiertas constantemente o por períodos largos de tiempo.</b>	Cuando las puertas están abiertas constantemente o por períodos largos de tiempo, el aire caliente y húmedo entra al compartimento. Esto eleva la temperatura y el nivel de humedad dentro del compartimento. Para disminuir el efecto, reduzca la frecuencia y duración de apertura de la puerta.
	<b>Las puertas no están cerradas correctamente.</b>	Vea la sección Puertas no cierran o abren completamente.
	<b>El clima es húmedo.</b>	El clima húmedo permite que humedad adicional ingrese a los compartimentos cuando las puertas se abren, provocando condensación o escarcha. Mantener un nivel de humedad razonable en el hogar ayudará a controlar la cantidad de humedad que pueda ingresar a los compartimentos.
	<b>Ciclo de descongelado recientemente completado.</b>	Durante el ciclo de descongelado, la temperatura de cada compartimento puede incrementar levemente y puede que se forme condensación en la pared trasera. Espere 30 minutos y confirme que la temperatura adecuada se ha restaurado una vez el ciclo de descongelado ha sido completado.
	<b>Los alimentos no están empacados correctamente.</b>	Los alimentos almacenados, descubiertos o desenvueltos, y contenedores húmedos pueden llegar a generar acumulación de humedad dentro de cada compartimento. Seque todos los contenedores y almacene los alimentos en empaques sellados para prevenir condensación y escarcha.
<b>Los alimentos se están congelando en el compartimento del refrigerador.</b>	<b>Alimentos con contenido alto en agua fueron ubicados cerca de una ranura de ventilación.</b>	Reorganice los artículos con contenido alto en agua alejados de las ranuras de ventilación.
	<b>La temperatura del refrigerador está configurada incorrectamente.</b>	Si la temperatura es muy baja, ajuste el control mediante un incremento a la vez y espere a que la temperatura se estabilice. Consulte la sección Ajustando los Controles para más información.
	<b>El refrigerador está instalado en una ubicación fría.</b>	Cuando el refrigerador es operado en una temperatura inferior a 41°F (5°C), los alimentos pueden congelarse en el compartimento del refrigerador. El refrigerador no debe ser operado en temperaturas inferiores a 55°F (13°C).
<b>El refrigerador está demasiado caliente.</b>	<b>El refrigerador fue instalado recientemente.</b>	Puede tomar hasta 24 horas para que cada compartimento alcance la temperatura deseada.
	<b>Los respiraderos están bloqueados.</b>	Ubique las ranuras de ventilación utilizando su mano para sentir el flujo de aire y remueva los empaques que bloqueen la ventilación y restrinjan el flujo de aire. Reacomode los artículos a manera de permitir el flujo de aire a través del compartimento.



## Enfriamiento

Problema	Causa posible	Soluciones
El refrigerador está demasiado caliente.	Las puertas están abiertas constantemente o por períodos largos de tiempo.	Cuando las puertas están abiertas constantemente o por períodos largos de tiempo, el aire caliente y húmedo entra al compartimento. Esto eleva la temperatura y el nivel de humedad dentro del compartimento. Para disminuir el efecto, reduzca la frecuencia y duración de apertura de la puerta.
	La unidad está instalada en un lugar caluroso.	No se debería usar el refrigerador en temperaturas superiores a los 110 °F.
	Se ha agregado una gran cantidad de alimentos o comida caliente al compartimento.	Agregar alimentos hace que el compartimento se caliente, requiriendo así que se ejecute el sistema de enfriamiento. Permitir que los alimentos calientes se enfíen a temperatura ambiente previo a colocarlos en el refrigerador reducirá este efecto.
	Las puertas no cierran correctamente.	Vea la sección Puertas no cierran o abren completamente en Solución de Problemas de Partes & Características.
	El control de temperatura no es el adecuado.	Si la temperatura es muy alta, ajuste el control un incremento a la vez y espere a que la temperatura se estabilice.
	El ciclo de descongelación se ha completado recientemente.	Durante el ciclo de descongelado, la temperatura de cada compartimento puede incrementar levemente y formar condensación en la pared trasera. Espere 30 minutos y confirme que la temperatura apropiada haya sido restaurada una vez el ciclo de descongelado haya sido completado.
El refrigerador está demasiado frío.	Ajustes de control de temperatura incorrectos.	Si la temperatura es muy fría, ajuste el control un incremento a la vez y espere a que la temperatura se estabilice. Consulte el Panel de Control para mayor información.

## Partes y Características

Problema	Causa posible	Soluciones
Las puertas no se cierran correctamente o se quedan abiertas.	Paquetes de alimentos están bloqueando la puerta e impiden que se cierre.	Reorganice los contenedores de alimentos para liberar la puerta y los estantes de la puerta.
	El recipiente de hielo, la tapa del cajón para verduras, las bateas, los estantes, las bandejas de las puertas o las cestas no están en su sitio.	Empuje correctamente hacia adentro las bandejas, la tapa del cajón para verduras, las bateas, los estantes y las cestas en su posición adecuada. Vea la sección Operación para mayor información.
	Las puertas se desmontaron durante la instalación del producto y no se volvieron a colocar correctamente.	Remueva y reemplace las puertas de acuerdo a las instrucciones de instalación.
	El refrigerador no está correctamente nivelado.	Para nivelar el refrigerador, vea Alineación de la Puerta en las instrucciones de instalación.
Es difícil abrir la puerta.	Las juntas están sucias o pegajosas.	Limpie las juntas y las superficies que tocan. Aplique una fina capa de cera para electrodomésticos o cera de cocina en las juntas después de limpiarlas.
	La puerta se acaba de cerrar.	Cuando abre la puerta, aire caliente entra al refrigerador. Al enfriarse, puede crear un vacío. Si le cuesta abrir la puerta, espere un minuto para permitir que la presión del aire se equalice y, a continuación, compruebe si se abre con más facilidad.
Las luces no funcionan.	Falla de iluminación interior LED.	La luz del compartimento del refrigerador es LED para interiores, por lo que el mantenimiento deberá ser realizado por un técnico cualificado.
El interior del refrigerador está cubierto con polvo u hollín.	El refrigerador está ubicado cerca de una fuente de fuego, como una chimenea o candela.	Asegúrese de que el refrigerador no se encuentre ubicado cerca de una fuente de fuego, como una chimenea o candela.
Se forma condensación en la columna en la puerta izquierda.	Caída de tensión en el punto de contacto debido a la presencia de material extraño.	Limpie los terminales marcados con una toalla seca tal y como se indica en la Guía del usuario. (Consulte la página 28 para obtener información sobre los terminales.

## Ruidos

Problema	Causa posible	Soluciones
Haciendo clic	El control de descongelado hará un “clic” cuando el ciclo de descongelado comience y termine. El control del termostato (o control del refrigerador en algunos modelos) también hará un clic al iniciar o finalizar un ciclo.	Funcionamiento normal
Traqueteo	Los ruidos de traqueteo pueden proceder del flujo del refrigerante, de la tubería de agua en la parte posterior de la unidad o de artículos almacenados encima o alrededor del refrigerador.	Funcionamiento normal
	El refrigerador no está sólidamente apoyado en el suelo.	El suelo es poco sólido o irregular, o es necesario ajustar las patas de nivelación. Consulte la sección Nivelación y Alineación de las Puertas.
	El refrigerador con compresor lineal se sacudió mientras estaba funcionando.	Funcionamiento normal
Zumbido	El motor del ventilador del vaporizador está circulando aire a través del compartimiento del refrigerador.	Funcionamiento normal
	El ventilador del condensador está forzando el paso de aire a través del condensador.	Funcionamiento normal
Gorgoteo	El refrigerante está fluyendo a través del sistema de enfriamiento.	Funcionamiento normal
Golpeteo	Contracción y expansión de las paredes internas debido a cambios en la temperatura.	Funcionamiento normal
Chisporroteo	El agua cayendo en el calentador de descongelación durante un ciclo de descongelado.	Funcionamiento normal
Vibración	Si la parte trasera o lateral del refrigerador está tocando un gabinete o pared, algunas de estas vibraciones normales pueden emitir un sonido perceptible.	Para eliminar el ruido, asegúrese de que los laterales y la parte posterior no puedan vibrar contra las paredes o los muebles.
Goteo	Agua cayendo en la batea de drenaje durante el ciclo de descongelado.	Funcionamiento normal
Sonido agudo o de pulsación	Su refrigerador está diseñado para funcionar de forma más eficiente para conservar los alimentos a la temperatura deseada. El compresor de alta eficiencia puede hacer que su nuevo refrigerador funcione durante más tiempo que su antiguo refrigerador, y aun así será más eficiente energéticamente que los modelos anteriores. Mientras el refrigerador está en funcionamiento, es normal escuchar un sonido de pulsación o agudo.	Funcionamiento normal

## Red Wi-Fi

Problema	Causa posible	Soluciones
<b>Su electrodoméstico y teléfono inteligente no están conectados a la red Wi-Fi.</b>	<b>La contraseña de la red Wi-Fi a la que está intentando conectarse es incorrecta.</b>	Encuentre la red Wi-Fi a la que su teléfono inteligente está conectado y remuévala, luego registre su electrodoméstico en la aplicación SIGNATURE KITCHEN SUITE.
	<b>Los Datos Móviles para su teléfono inteligente están activados.</b>	Apague los Datos Móviles en su teléfono inteligente y registre el electrodoméstico utilizando la red Wi-Fi.
	<b>El nombre de la red inalámbrica (SSID) se ha configurado incorrectamente.</b>	El nombre de la red inalámbrica (SSID) debe ser una combinación de letras y números. (No utilice símbolos especiales)
	<b>La frecuencia del enrutador no es de 2.4 GHz.</b>	Sólo se admite una frecuencia de enrutador de 2.4 GHz. Configure el enrutador inalámbrico a 2.4 GHz y conecte el electrodoméstico a éste. Para verificar la frecuencia del enrutador, consulte con su proveedor de servicios de internet o con el fabricante del enrutador.
	<b>La distancia entre el enrutador y el electrodoméstico es muy grande.</b>	Si la distancia entre el electrodoméstico y el enrutador inalámbrico es muy grande, puede que la señal sea débil y que no sea posible configurar la conexión correctamente. Acerque el enrutador al electrodoméstico.

# GARANTÍA LIMITADA

## PARA EE. UU.

En caso de que su SIGNATURE KITCHEN SUITE ("Producto") presente alguna falla por defectos de materiales o de fabricación bajo uso apropiado y normal durante el período de garantía establecido más abajo, el mismo será reparado o reemplazado por SIGNATURE KITCHEN SUITE, a su opción. Esta garantía limitada es válida únicamente para el comprador final original del producto, y únicamente cuando el producto ha sido comprado y utilizado dentro de los Estados Unidos, incluidos los territorios norteamericanos.

PERÍODO DE GARANTÍA			
Refrigerador/ Congelador	Sistema Sellado (Condensador, Filtro desecante, Tubo Conector y Evaporador)	Compresor	
		Tres (3) años a partir de la fecha original de compra	Cinco (5) años a partir de la fecha original de compra
Piezas y mano de obra (solo piezas internas/funcionales)	Piezas y mano de obra	Piezas y mano de obra	

- Los productos y las piezas de repuesto están garantizados durante el tiempo restante del período original de garantía o noventa (90) días, lo que resulte mayor.
- Los productos y las piezas de repuesto pueden ser nuevos, reparados, reacondicionados, o reconstruidos por la fábrica.
- Es necesario presentar prueba de la compra minorista especificando el modelo del producto y la fecha de compra para obtener el servicio de garantía bajo esta garantía limitada.

**Salvo lo prohibido por la ley, toda garantía de comercialización o idoneidad implícita, para un propósito particular en el producto, está limitada a la duración de la garantía arriba expresada. Bajo ninguna circunstancia deberá SIGNATURE KITCHEN SUITE o sus distribuidores/representantes ser responsable por cualquier daño indirecto, incidental, consecuente, especial, o punitivo, lo cual incluye pero no se limita a, pérdida de fondos del comercio, ganancias perdidas, interrupción del trabajo, deterioro de otros bienes, costo de remover y reinstalar el producto, pérdida de uso, o cualquier otro daño ya sea basado en contrato, perjuicio, u otros. La responsabilidad total de SIGNATURE KITCHEN SUITE, en caso exista, no excederá el precio que usted pagó por adquirir el producto.**

Algunos estados no permiten la exclusión o limitación de daños incidentales o emergentes, o limitaciones a la duración de la garantía implícita, por lo que la exclusión o limitación anteriormente mencionada podrían no corresponder en su caso. Esta garantía limitada le otorga derechos legales específicos y es posible que usted cuente con otros derechos que varían según el estado.

### ESTA GARANTÍA LIMITADA NO CUBRE LO SIGUIENTE:

- Viajes del servicio técnico para entregar, buscar o instalar el producto, instruir al cliente sobre la operación del mismo, corregir el cableado o las reparaciones/instalaciones no autorizadas.
- Daño o fallo del producto al operar durante fallas e interrupciones del suministro eléctrico, o resultado de un servicio eléctrico inadecuado.
- Daños o fallas causadas por tuberías de agua rotas o con fugas, tuberías de agua congeladas, líneas de desagüe restringidas, suministro de agua inadecuado o interrumpido, o suministro de aire inadecuado.
- Daños resultantes de operar el producto en una atmósfera corrosiva o contraria a las instrucciones detalladas en el manual del propietario del producto.

- Daños o fallos del producto causados por accidentes, pestes y alimañas, rayos, viento, incendio, inundaciones, hechos de fuerza mayor, o cualquier otra causa fuera del control de SIGNATURE KITCHEN SUITE.
- Daños o fallos causados por modificaciones o alteraciones no autorizadas, o si se usa para otro fin que no sea el previsto.
- Daños o fallos resultantes de mal uso, abuso, instalación, reparación o mantenimiento incorrectos. Una reparación incorrecta incluye el uso de piezas no autorizadas, aprobadas o especificadas por SIGNATURE KITCHEN SUITE. La instalación o el mantenimiento inadecuado incluye aquellos contrarios a lo especificado en el manual del usuario del producto o en el manual de instalación.
- Daños o fallos causados por corriente o voltaje eléctrico incorrecto, o por códigos de fontanería.
- Daños o fallos causados por el transporte y el manejo, incluye rayas, muescas, astillados y/u otros daños al acabado del producto, a menos que tales daños se informen dentro del plazo de una (1) semana de la entrega.
- Daños o artículos faltantes a productos comprados con descuento, con la caja abierta o que hayan estado en exhibición.
- Productos reacondicionados o cualquier producto vendido con los avisos “En el estado actual”, “En el sitio actual”, “Con todos sus defectos” o similares.
- Productos cuyos números de serie originales hayan sido retirados, alterados o no se puedan determinar fácilmente.
- Aumentos en los costos de los servicios públicos y otros gastos adicionales de dichos servicios.
- Cualquier ruido asociado con la operación normal.
- Uso de accesorios (Ej, filtros de agua, etc.), componentes, o productos de limpieza consumibles que no estén autorizados por SIGNATURE KITCHEN SUITE.
- Reemplazo de focos, filtros o cualquier parte consumible.
- Cuando el producto se use de otra forma que no sea uso doméstico usual y normal (p. ej., uso comercial o industrial, en oficinas e instalaciones recreativas o vehículos) o uso contrario a las instrucciones detalladas en el manual del propietario del producto.
- Costos asociados con el retiro y la reinstalación de su producto para realizar reparaciones.
- Estantes, bandejas de puerta, cajones, manijas y accesorios, a excepción de las partes internas/funcionales cubiertas bajo esta garantía limitada.

**El costo de la reparación o el reemplazo en estas circunstancias excluidas estará a cargo del consumidor.**

PARA OBTENER SERVICIO EN GARANTÍA E INFORMACIÓN ADICIONAL

Llame al 1-855-790-6655 y seleccione la opción apropiada desde el menú.

O visite nuestro sitio web en <http://www.signaturekitchensuite.com>

O por correo: SIGNATURE KITCHEN SUITE Customer Service P.O. Box 240007 Huntsville, AL 35813 ATTN: CIC

# MEMORÁNDUM



Customer Information Center

For inquires or comments, call;  
**1-855-790-6655** USA, Consumer User