

# SKSDW2401S POWERSTEAM® STAINLESS STEEL DISHWASHER

**SIGNATURE**  
KITCHEN SUITE



## POWERSTEAM® TECHNOLOGY

PowerSteam Technology offers maximum steam coverage for 60% less water spots,\* resulting in the most sparkling clean dishes.

## LODECIBEL™ QUIET OPERATION (40 dBA)

Signature Kitchen Suite dishwashers are among the quietest on the market, so you can enjoy a powerful clean—without disrupting your day.

## LED INTERIOR LIGHTING

The LED interior lighting makes the loading and unloading process easier, while a beam of light shines information on the floor to let you know the status of the cycle.

## EASY LOADING AND MAXIMUM FLEXIBILITY

The newly-enhanced EasyRack™ Plus system provides outstanding flexibility and convenience, adjusting to just about any load of dishes to help ensure optimal cleaning performance. The height adjustable 3rd rack provides more space and flexibility to fit virtually everything from flatware to espresso cups.

## WI-FI ENABLED FOR SMART CONTROL

Monitor cycle status, get notifications when a cycle is completed, and download and use specialized dishwasher cycles—all from a mobile device using the Signature Kitchen Suite™ app.

## Innovation

|  |     |
|--|-----|
| Wi-Fi Enabled for ThinQ® Control with iPhone / Android App | Yes |
| Remote Monitoring  | Yes |

## Performance

|                                   |                       |
|-----------------------------------|-----------------------|
| PowerSteam® Technology            | Yes                   |
| QuadWash™ System                  | Yes                   |
| Inverter Direct Drive™ Technology | Yes                   |
| LoDecibel™ Quiet Operation        | 40 dBA                |
| Number of Spray Arms              | 3 (Top, Upper, Lower) |
| SenseClean™ Wash System           | Yes                   |
| Vario Wash                        | Yes                   |
| Hidden Water Heater               | Yes                   |
| 3-Stage Filtration System         | Yes                   |
| Hybrid Condensing Drying System   | Yes                   |

## Features

|                                   |   |
|-----------------------------------|---|
| Number of Wash Cycles             | 10 (Auto, Heavy, Delicate, Refresh, Normal, Turbo, Download Cycle, Machine Clean, Rinse, Express)         |
| Number of Options                 | 9 (Dual Zone, Half Load, Energy Saver, Steam, High Temp, Extra Dry, Delay Start, Control Lock, Night Dry) |
| End of Cycle Indicator            | Beeper + END Indication on Display  |
| Detergent and Rinse-Aid Dispenser | Yes   |
| Tub Light                         | Yes   |

\*Percent in water spot reduction compared to comparable non-steam dishwasher on delicate wash cycle. Results may vary by model. Results based on testing with non-steam dishwasher LDF7774ST as of Feb 2018.

© 2020 Signature Kitchen Suite. All rights reserved. Design, features and specifications are subject to change without notice. Specifications are for planning purposes only. Consult the product's installation instructions for final dimensional data and other details prior to making cutouts or custom panels. Consult with a heating and ventilation engineer for your specific ventilation requirements. Non-metric weights and measurements are approximate. Smart features require Internet access.

1-855-790-6655 | [www.signaturekitchensuite.com](http://www.signaturekitchensuite.com)

# SKSDW2401S POWERTEAM® STAINLESS STEEL DISHWASHER

**SIGNATURE**  
KITCHEN SUITE

## Style and Design

|                                    |                              |
|------------------------------------|------------------------------|
| Electronic Controls                | Top Control                  |
| Signalight™ Cycle Indicator Lights | 3                            |
| Time Remaining Indicator           | LED                          |
| Tub Material                       | NeveRust™<br>Stainless Steel |
| Balanced Door                      | Yes                          |

## Capacity

|                                     |                            |
|-------------------------------------|----------------------------|
| Total Place Settings                | 15                         |
| EasyRack™ Plus System               | Yes                        |
| Height-Adjustable 3rd Rack          | Yes                        |
| Height Adjustable Upper Rack        | Yes                        |
| Cutlery Baskets                     | Yes                        |
| Cup Rack                            | Yes                        |
| Stemware Holder                     | Yes                        |
| Fold Down Tines                     | Full Fold Upper<br>/ Lower |
| BPA-Free Nylon Coated Racks / Tines | Yes                        |
| Rack Handle                         | Upper / Lower              |
| Glide Rail                          | Yes                        |
| Wheel Bearing                       | Yes                        |

## Technical Specs

|                           |                              |
|---------------------------|------------------------------|
| ENERGY STAR® Qualified    | Yes                          |
| Energy Use (kWh/Year)     | 269 kWh/Year                 |
| Water Use (Gallons/Cycle) | 2.9                          |
| Required Power Supply     | 120 V, 60 Hz,<br>15 Amp      |
| Inlet Water Temperature   | 120 °F min. -<br>149 °F max. |
| Water Pressure            | 20 – 80 psi                  |

## Dimensions and Weight

|                                    |             |
|------------------------------------|-------------|
| Overall Width (Inches)             | 23 3/4"     |
| Overall Height (Inches)            | 33 5/8"-36" |
| Overall Depth (Inches)             | 24 5/8"     |
| Depth with Door Closed with Handle | 26 5/8"     |
| Depth with Door Open               | 50 1/2"     |
| Net Weight (approx.)               | 94 lbs      |
| Shipping Weight (approx.)          | 106 lbs     |

## Warranty Summary\*

|  |          |
|--|----------|
| Limited Warranty, Parts & Labor  | 3 Years  |
| Limited Warranty on Control Board and Rack Parts, Parts and Labor      | 5 Years  |
| Limited Warranty on Direct Drive Motor, Parts and Labor                | 10 Years |
| Limited Warranty on Stainless Steel Door Liner or Tub, Parts and Labor | Lifetime |

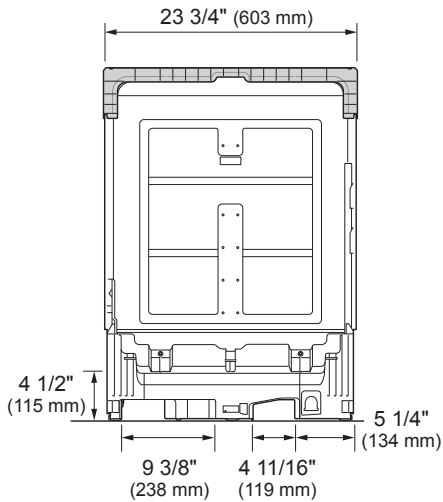
\*These warranties give you specific legal rights and you may have other rights that vary from state to state. For complete warranty details, refer to your Use & Care manual.

# SKSDW2401S POWERTEAM® STAINLESS STEEL DISHWASHER

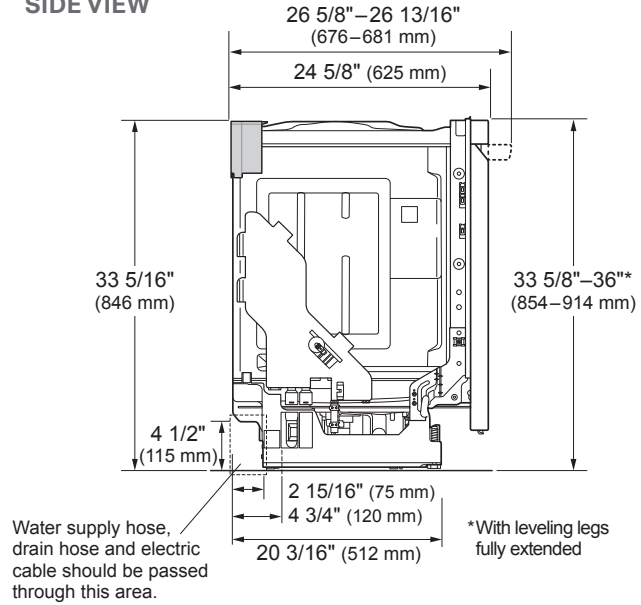
**SIGNATURE**  
KITCHEN SUITE

## OVERALL PRODUCT DIMENSIONS

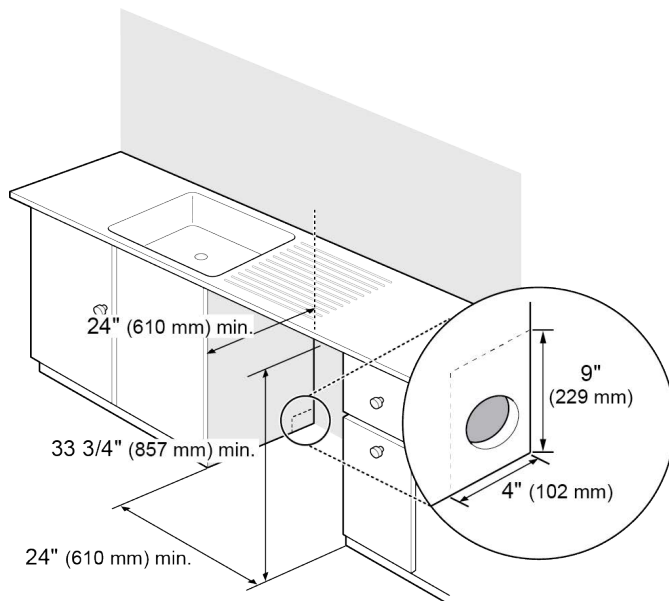
### BACK VIEW



### SIDE VIEW



## INSTALLATION CLEARANCES



### Notes

This dishwasher is designed to fit a standard dishwasher opening. An opening may be needed on both sides to route plumbing and electrical connections. See marked areas above for water and electrical clearances in base of dishwasher.

To ensure proper drainage, install the dishwasher no more than 12 ft. (3.65 m) from the sink.

Electrical connection should be in an accessible location adjacent to and not behind the dishwasher and within 4 ft. (1.2 m) of the dishwasher's side.