

ENGLISH

FRANÇAIS

ESPAÑOL



# Integrated Refrigeration Installation Guide

## BUILT-IN REFRIGERATION

SKSCF1801P  
SKSCF2401P  
SKSCF3001P  
SKSCW181RP

SKSCR2401P  
SKSCR3001P  
SKSCW241RP



MFL67410814\_Rev.06

[www.signaturekitchensuite.com](http://www.signaturekitchensuite.com)

Copyright © 2017 - 2018 Signature Kitchen Suite. All Rights Reserved.

# Table of Contents

SAFETY INSTRUCTIONS.....	3	Installation .....	23
Before Installation .....	6	Unpacking .....	24
Choosing the Install Location .....	6	Moving the Appliance .....	25
Installation options .....	9	Special Circumstances .....	25
– Dimensions and Clearances		Product Dimensions .....	26
SKSCF1801P – 18" INTEGRATED FREEZER COLUMN		A	
SKSCW181RP – 18" INTEGRATED WINE COLUMN .....	10	Installing the Anti-tip Brackets .....	29
SKSCF2401P – 24" INTEGRATED FREEZER COLUMN		Protecting Edges of Enclosure .....	30
SKSCR2401P – 24" INTEGRATED REFRIGERATOR COLUMN		Installing Appliance in Enclosure .....	31
SKSCW241RP – 24" INTEGRATED WINE COLUMN .....	12	B	
SKSCF3001P – 30" INTEGRATED FREEZER COLUMN		Aligning and Leveling the Appliance .....	32
SKSCR3001P – 30" INTEGRATED REFRIGERATOR COLUMN .....	14	Attaching the Appliance to the Enclosure .....	34
– Custom Panels		Attaching the Toe Kick Panel .....	35
SKSCF1801P – 18" INTEGRATED FREEZER COLUMN		C	
SKSCW181RP – 18" INTEGRATED WINE COLUMN .....	16	Installing Door Panels .....	37
SKSCF2401P – 24" INTEGRATED FREEZER COLUMN		Adjusting Door Panels .....	38
SKSCR2401P – 24" INTEGRATED REFRIGERATOR COLUMN		Installing Door Trim .....	38
SKSCW241RP – 24" INTEGRATED WINE COLUMN .....	18	Attaching Air Separator .....	39
SKSCF3001P – 30" INTEGRATED FREEZER COLUMN		– Special Installations	
SKSCR3001P – 30" INTEGRATED REFRIGERATOR COLUMN .....	20	Optional Frame Kit Accessory .....	39
Required Accessories and Tools .....	22	Adjusting the Door Spring .....	40
		Adjusting the Door Stop .....	40
		Water Filter Bypass .....	40
		Reversing the Door .....	41
		Side-by-Side Flush Installation .....	45
		Preparing to Connect the Water Line .....	47
		Connecting the Water Line .....	47
		Attaching the Badge .....	48

# SAFETY INSTRUCTIONS

## IMPORTANT SAFETY INSTRUCTIONS

**This guide contains many important safety messages.**

**Always read and obey all safety messages.**

This is the safety alert symbol. It alerts you to safety messages that inform you of hazards that can kill or hurt you or others or cause damage to the product.

All safety messages will be preceded by the safety alert symbol and the hazard signal word WARNING, or CAUTION. These words mean:



**WARNING**

You may be killed or seriously injured if you don't follow instructions.



**CAUTION**

Indicates an imminently hazardous situation which, if not avoided, may result in minor or moderate injury, or product damage.

All safety messages will identify the hazard, tell you how to reduce the chance of injury, and tell you what can happen if the instructions are not followed.



**WARNING**

### TIP-OVER HAZARD

Use two or more people to move and install the refrigerator. To prevent the refrigerator from tipping over, install anti-tip brackets (provided). Failure to follow the refrigerator installation instructions can result in serious injury or death.



**WARNING**

To reduce the risk of fire, electric shock, or personal injury when using the product, basic safety precautions should be followed, including the following. Read all instructions before using this appliance.

## Installation

- These products are not designed to be used as freestanding units. Doing so will result in a risk of tipover, personal injury, and product or property damage.
- Do not install the refrigerator near a gas stove, water heater or other source of ignition that may possibly leak gas. Do not install product in direct sunlight. Install the product in a well-ventilated area.
- Ensure that enclosure dimensions allow for sufficient air circulation at the sides and back of the product. Do not block the front air inlet. Failure to follow these instructions may cause product malfunction.
- Enclosure must be constructed of materials which are strong enough to avoid damage during installation and frequent use.

- Cabinet materials must be able to withstand the heat and humidity produced during product operation and use without twisting or deforming.
- Install the product on a firm, level surface that can support the weight of the product without bending. The product must be level both horizontally and vertically.
- Keep children away from area during installation.
- Do not use an extension cord or power strip with this product.
- Do not install the refrigerator in a damp location or where it will be exposed to running water. Deterioration of the insulation on electrical parts may result, causing risk of electric shock.
- Connect to potable water only. Non-potable water can cause health risks.
- If connected to a circuit protected by fuses, use time delay fuse.

## **Electrical Connection**

### **Use a dedicated outlet.**

- Plugging several devices into one outlet may cause a fire.

### **Plug in the power plug with the power cord facing downward.**

Failure to do so could damage the plug or cord, resulting in fire or electric shock.

**When installing or moving the refrigerator, be careful not to roll over or damage the power cord. Do not squeeze or crush the cord or plug when pushing the refrigerator in.** Doing so could result in fire or electric shock.

**Do not allow the power cord to be bent, crushed, or damaged. Do not run the power cord under heavy objects like furniture, other appliances, or through high-traffic areas.** Doing so may damage the power cord and result in fire or electric shock.

### **Do not extend or modify the length of the power cord.**

Use only an exact factory replacement part to avoid electrical issues, fire, or electric shock.

### **Turn off the power before cleaning or moving the refrigerator.**

- Failure to do so may cause electric shock or injury.
- Press the POWER button for 3 seconds to turn off the power at display panel.

### **Do not pull out the cord or touch the power plug with wet hands.**

Doing so may cause electric shock or injury.

### **Remove water or dust from the power plug and insert it securely into the wall socket.**

Dust, water, or a loose connection may cause a fire or electric shock.

### **Do not unplug the refrigerator by pulling on the cord.**

Doing so may cause electric shock or short circuit resulting in a fire.

### **Do not use the power cord or the power plug if it is damaged or if the outlet is damaged.**

Doing so may cause electric shock or short circuit resulting in a fire.

### **Wait for 5 minutes or longer when reconnecting the plug or turning the power back on.**

Give the compressor time to cycle before restarting.



**If the supply cord is damaged, it must be replaced by the manufacturer or its service agent or a similarly qualified person in order to avoid a hazard.**

## CAUTION

**Do not remove the cover of the automatic ice dispenser.**  
The internal mechanism of the icemaker can cause injury if handled.

**Do not stick your hands under the refrigerator.**  
Sharp edges, fans, and wires may cause an injury

**Save these instructions for the local inspector's use.**

**Observe all governing codes and ordinances.**

**Installer: Leave these instructions with the consumer.**

**Consumer: Keep these instructions with the owner's manual for future reference.**

## General

These installation instructions are intended for use by qualified installers. All connections for water, electrical power and grounding must comply with local codes and ordinances and be made by licensed personnel when required. In the absence of a local code:

- In the U.S.A., in accordance with the National Electric Code, ANSI/NFPA70 – latest edition/State and Municipal codes and/or local codes.
- In Canada, in accordance with the Canadian Electric Code C22.1 – latest edition/Provincial and Municipal codes and/or local codes.

Appliance is very heavy:

Refrigerator 30" approx. 386 lbs/175 kg

Refrigerator 24" approx. 324 lbs/147 kg

Freezer 30" approx. 403 lbs/183 kg

Freezer 24" approx. 346 lbs/157 kg

Freezer 18" approx. 304 lbs/138 kg

Wine 18" approx. 306 lbs/139 kg

Wine 24" approx. 357 lbs/162 kg

# Before Installation

## WARNING

Do not store or install the appliance where it will be exposed to:

- outside weather
- water damage
- temperatures under 32°F (0°C)

## Choosing the Install Location

### Temperature and Humidity

The appliance should be installed in a dry, well ventilated area.

The ambient temperature should stay between 55 °F(13 °C) and 110 °F (43 °C), to avoid malfunctions.

Do not install product where it will be exposed to direct sunlight or near a heat source, such as an oven or radiator.

## Anti-tip Devices

### **WARNING: Tip Hazard**

- The appliance is very heavy and may tip over if the door is opened before the appliance is securely installed.
- Install the supplied anti-tip brackets to prevent the appliance from tipping. The safest method of installing the appliance in a stable position is to use the supplied anti-tip devices.
- Do not open the appliance door unless it is still on the pallet or the anti-tip brackets are engaged.

If the enclosure is sturdy enough, attaching the appliance to the upper and side walls of the enclosure may provide additional stability, as long as the enclosure is firmly connected to the back wall. If in doubt, contact an architect or structural engineer.

## Enclosure

- The panel above the appliance must be made from a solid material (not MDF) that is at least 5/8" (16 mm) thick.
- The side walls of the cavity or enclosure must be flush.
- The front 4 inches (100 mm) of the interior surface (furniture return) will be visible when doors are open. Make sure this area is finished to at least 4 inches deep.
- Follow the specifications for the installation enclosure to ensure a trouble free installation.
- Above all, the enclosure cannot be out of square. Use a spirit level or measure the diagonals of the opening to make sure corners are square.
- The appliance is attached at the sides and the top to either the enclosure or to adjacent cabinets. Make sure the enclosure or the adjacent cabinets are securely connected to the floor or wall structures.

## Floor

### WARNING

- The floor in the installation area must be firm, level, and rigid for safe installation and best performance.
- Do not install the appliance on a platform or raised structure.
- The structure underneath the appliance must be able to support the weight of the appliance without tilting or flexing.
- For best performance and to avoid leakage, level the appliance.

## Electrical Requirements

### WARNING

#### Electrical Shock Hazard

- Plug into a grounded 3 prong outlet.
- Do not remove ground prong.
- Do not use an adapter.
- Do not use an extension cord.

Failure to follow these instructions can result in death, fire, or electrical shock.

Follow all state and local codes or NEC.

The appliance comes with a UL listed 3 wire power supply cord.

The appliance requires a 3-wire receptacle.

The receptacle must be installed by a licensed electrician only.

## Grounding

This appliance must be grounded. In the event of a malfunction or breakdown, grounding will reduce the risk of electric shock by providing a path of least resistance for the electric current.

**WARNING:** Improper connection of the equipment grounding conductor may result in electric shock. Have the appliance checked by a qualified electrician or service technician if you are in doubt as to whether the appliance has been properly grounded.

### NOTE

Some local regulations may require a separate ground. In such cases, the required ground wire, clamp and screw are available as a separate accessory and must be purchased separately.

Never ground the appliance to plastic plumbing lines, gas lines or water pipes.

## Water Connection

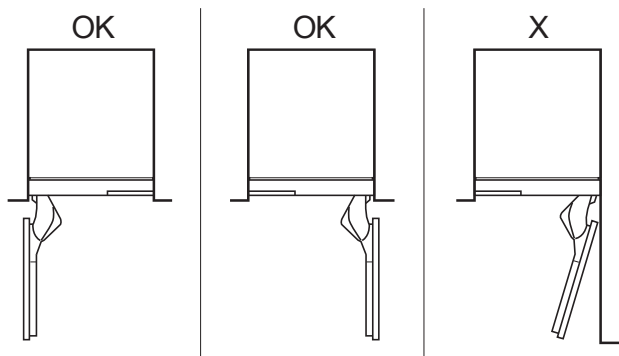
### CAUTION

- Connect the appliance to potable water only.
- A cold water connection is required for operation of the automatic ice maker. The water pressure must be between 20 and 120 psi. (1.38-8.27).
- The installation must comply with local plumbing regulations.
- A separate shut-off valve must be installed for the appliance water connection.
- Do not use a self-piercing valve.
- Do not install the shutoff valve for the water behind the appliance. The shutoff valve must be easily accessible.
- Install the water connection in the area shown in the diagram under Dimensions and Clearances. The water supply line can be located on the right side, on the left side, or in the floor. The maximum outer diameter of the supply line (without fittings) is 3/8" (9.5 mm).

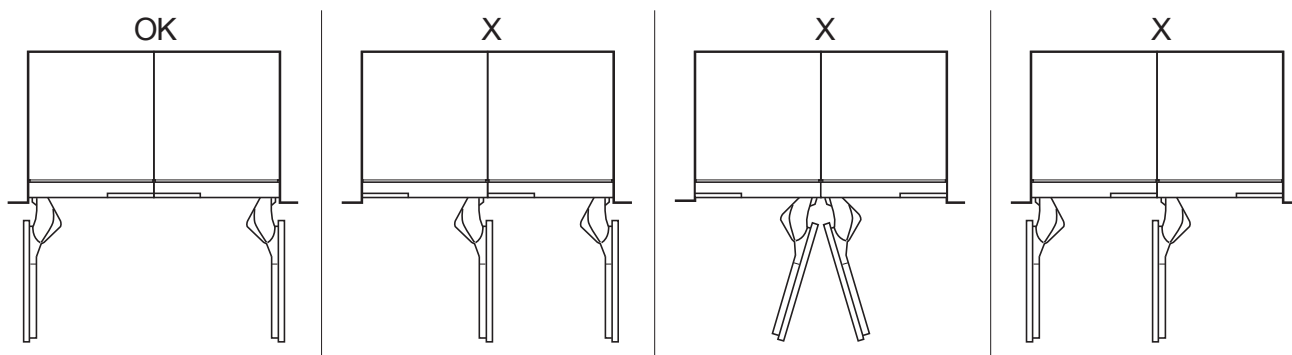
# Installation options

There are many different installation options. These are limited only by the design of the kitchen.

## Individual Appliance

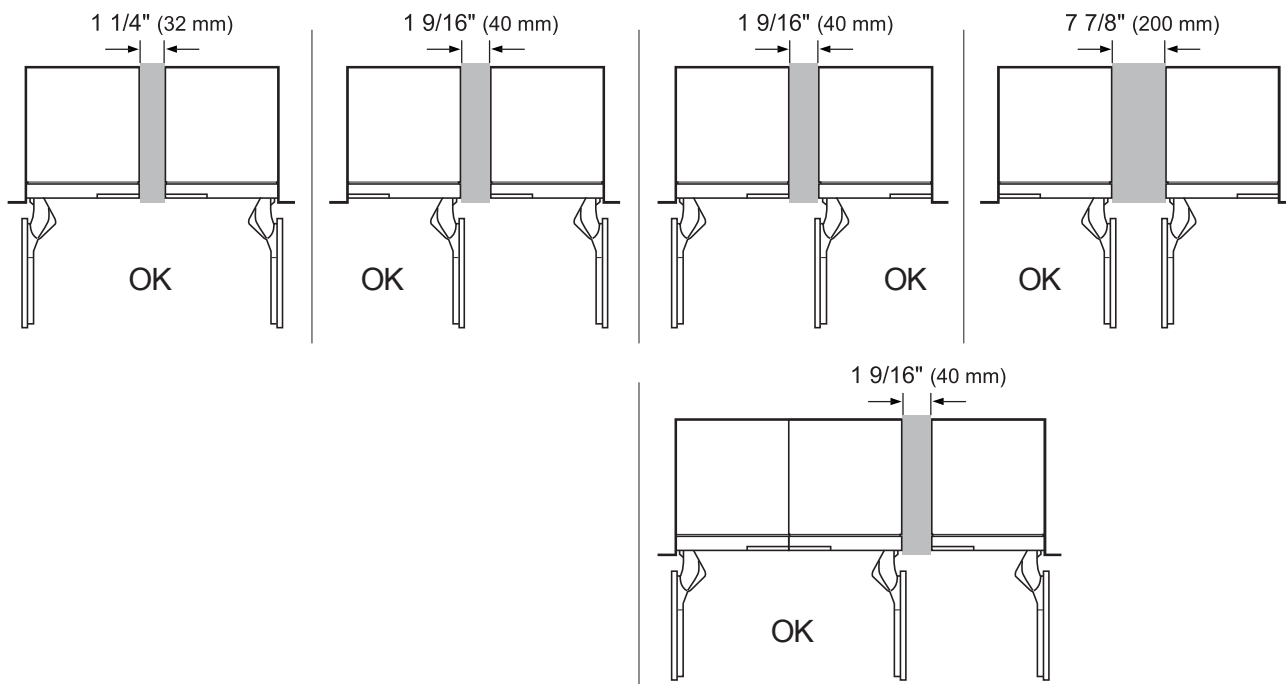


## Side-by-Side (Pair)



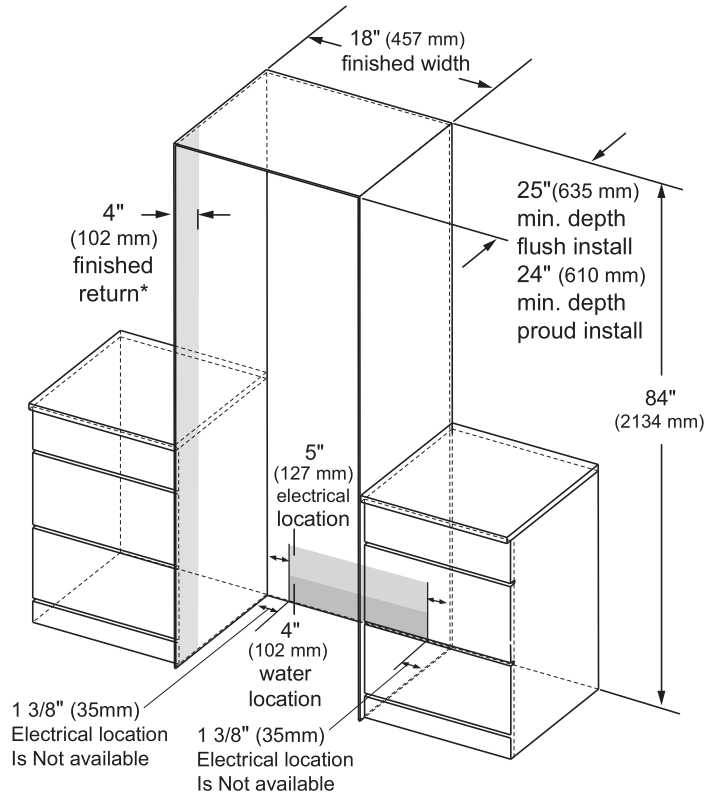
## Individual Appliances with Partition

Minimum thickness of the partition 5/8" (16 mm)



## SKSCF1801P – 18" INTEGRATED FREEZER COLUMN SKSCW181RP – 18" INTEGRATED WINE COLUMN

### CUTOUT DIMENSIONS – FLUSH OR PROUD INSTALLATION, SINGLE COLUMN



#### NOTE

Freezer/Wine column can be installed flush or proud.

Flush – With a 25" (635 mm) cutout depth, the front face of the freezer/wine column fits flush with 25" (635 mm) depth adjacent cabinets.

Proud – With a 24" (610 mm) depth cutout, the front face of the freezer/wine column extends approximately 3/4" (19 mm) beyond 24" (610 mm) depth adjacent cabinets.

- A minimum 4" (102 mm) finished return that matches the cabinet exterior is recommended on all sides and the top of the cutout opening. The shaded area will be visible after installation.

#### ELECTRICAL

A 115V, 60Hz, 15 or 20 amp power supply is required. An individual, properly grounded branch circuit or circuit breaker is recommended. Install a properly grounded 3-prong electrical receptacle recessed into the back wall. Electrical must be located on rear wall as shown.

Note: GFI (ground fault interrupter) is not recommended.

#### WATER LINE

A cold water supply is required for automatic icemaker operation.

The water pressure must be between 20 and 120 psi.

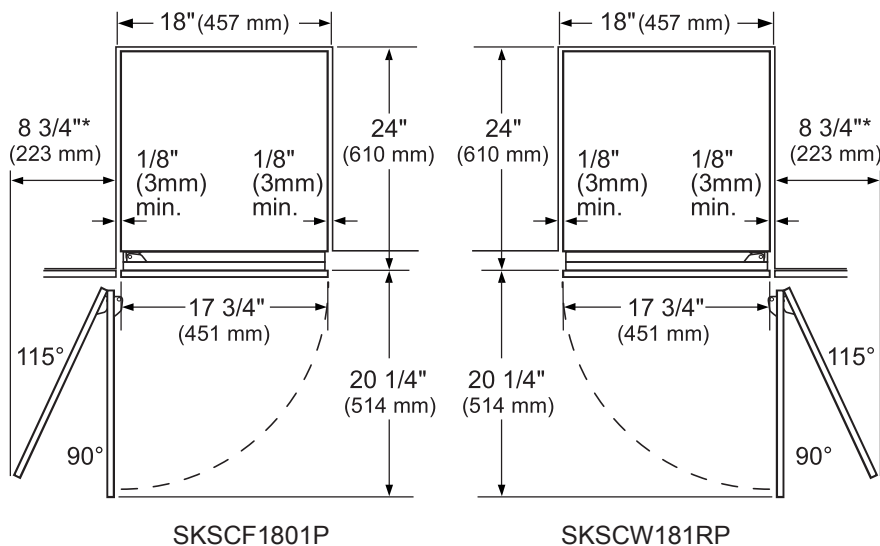
Tubing should be long enough to extend to the front of the freezer. Allow enough tubing to accommodate a bend leading into the water line connection.

Water line can enter an opening through the floor or back wall.

Install a shut-off valve between the icemaker water valve and the cold water supply in the home.

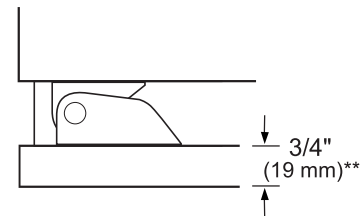
## INSTALLATION CLEARANCES

### TOP VIEW



\*Door handle must be added to this dimension.

\*\*Varies depending on the thickness of the custom cabinet panel. The door panels in the optional Signature Kitchen Suite stainless steel door panel kit are 3/4" (19 mm) thick.



### NOTE

#### Door Swing Clearances

The installation must allow for clearances to adjacent walls or cabinets. This freezer/wine column is equipped with a 2-position door stop.

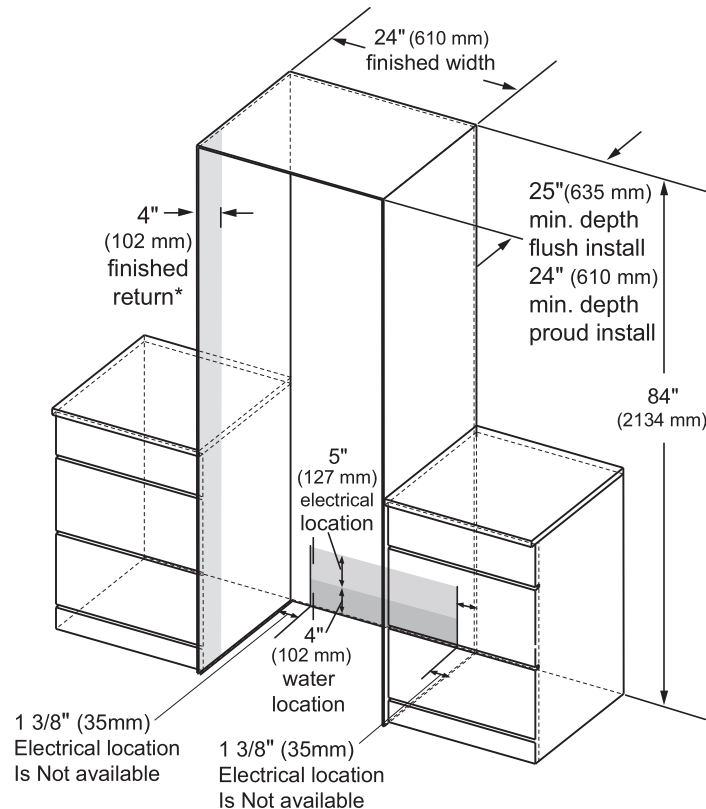
The factory-set 115° door swing can be adjusted to 90° if clearance to adjacent cabinets or walls is restricted.

#### Door Handle Clearances

The door handle depth must be added to the dimension where noted to determine the total clearance required from adjacent cabinets or walls. This clearance will vary depending on the custom handle used. When using Signature Kitchen Suite handles or the Signature Kitchen Suite stainless steel door panel kit with handles (optional accessories), the door handle clearance with the door open 115° is 11" (279 mm).

SKSCF2401P – 24" INTEGRATED FREEZER COLUMN  
 SKSCR2401P – 24" INTEGRATED REFRIGERATOR COLUMN  
 SKSCW241RP – 24" INTEGRATED WINE COLUMN

**CUTOUT DIMENSIONS – FLUSH OR PROUD INSTALLATION, SINGLE COLUMN**



**NOTE**

Freezer/Wine / Refrigerator column can be installed flush or proud

Flush – With a 25" (635 mm) cutout depth, the front face of the freezer/wine column fits flush with 25" (635 mm) depth adjacent cabinets.

Proud – With a 24" (610 mm) depth cutout, the front face of the freezer/wine column extends approximately 3/4" (19 mm) beyond 24" (610 mm) depth adjacent cabinets.

- A minimum 4" (102 mm) finished return that matches the cabinet exterior is recommended on all sides and the top of the cutout opening. The shaded area will be visible after installation.

**ELECTRICAL**

A 115V, 60Hz, 15 or 20 amp power supply is required. An individual, properly grounded branch circuit or circuit breaker is recommended. Install a properly grounded 3-prong electrical receptacle recessed into the back wall. Electrical must be located on rear wall as shown. Note: GFI (ground fault interrupter) is not recommended.

**WATER LINE**

A cold water supply is required for automatic icemaker operation.

The water pressure must be between 20 and 120 psi.

Tubing should be long enough to extend to the front of the freezer. Allow enough tubing to accommodate a bend leading into the water line connection.

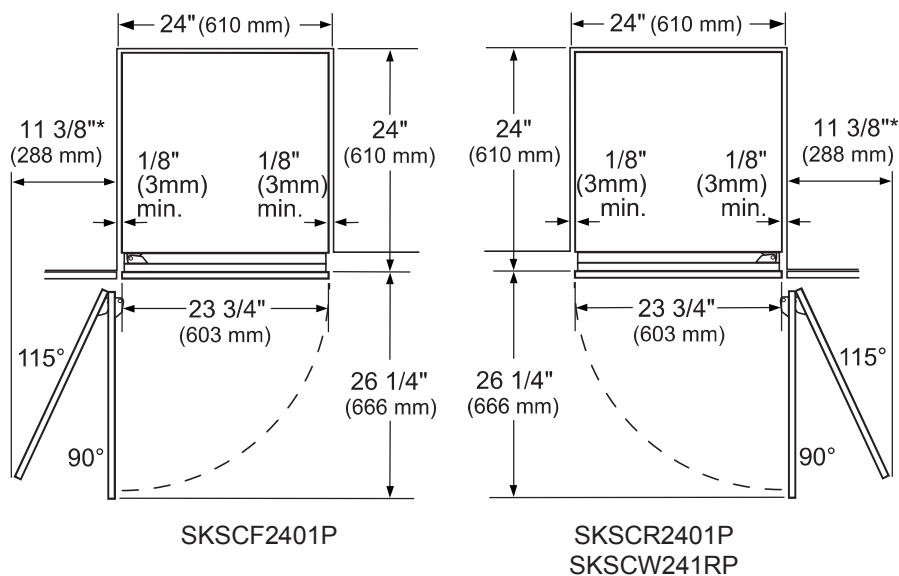
Water line can enter an opening through the floor or back wall

Install a shut-off valve between the icemaker water valve and the cold water supply in the home.



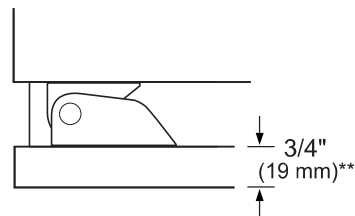
## INSTALLATION CLEARANCES

### TOP VIEW



\*Door handle must be added to this dimension.

\*\*Varies depending on the thickness of the custom cabinet panel. The door panels in the optional Signature Kitchen Suite stainless steel door panel kit are 3/4" (19 mm) thick.



### NOTE

#### Door Swing Clearances

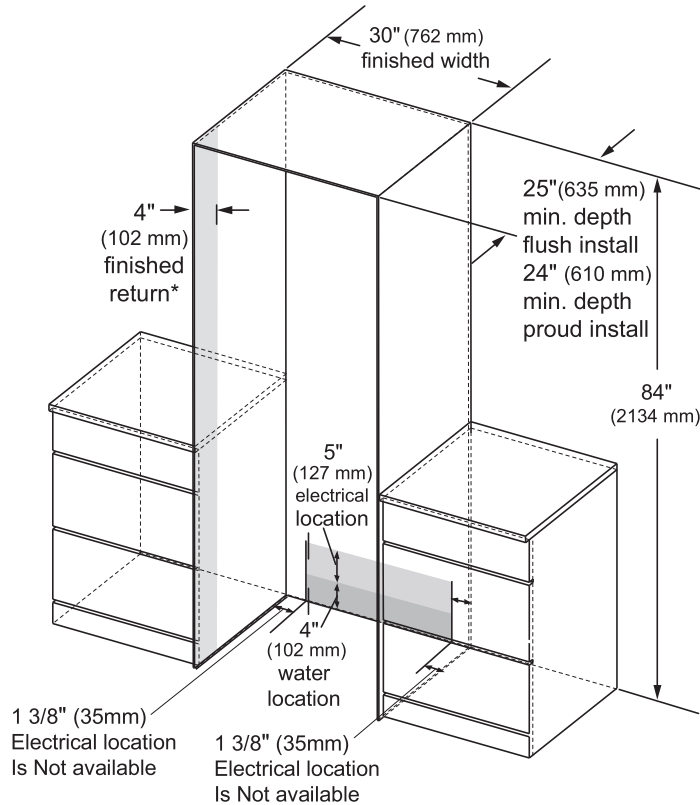
- The installation must allow for clearances to adjacent walls or cabinets. The appliances are equipped with 2-position door stops.
- The factory-set 115° door swing can be adjusted to 90° if clearance to adjacent cabinets or walls is restricted.

#### Door Handle Clearances

The door handle depth must be added to the dimension where noted to determine the total clearance required from adjacent cabinets or walls. This clearance will vary depending on the custom handle used. When using Signature Kitchen Suite handles or the Signature Kitchen Suite stainless steel door panel kit with handles (optional accessories), the door handle clearance with the door open 115° is 14" (356 mm).

## SKSCF3001P – 30" INTEGRATED FREEZER COLUMN SKSCR3001P – 30" INTEGRATED REFRIGERATOR COLUMN

### CUTOUT DIMENSIONS – FLUSH OR PROUD INSTALLATION, SINGLE COLUMN



#### NOTE

Freezer / Refrigerator can be installed flush or proud.

Flush – With a 25" (635 mm) cutout depth, the front face of the refrigerator fits flush with 25" (635 mm) depth adjacent cabinets.

Proud – With a 24" (610 mm) depth cutout, the front face of the refrigerator extends approximately 3/4" (19 mm) beyond 24" (610 mm) depth adjacent cabinets.

\*A minimum 4" (102 mm) finished return that matches the cabinet exterior is recommended on all sides and the top of the cutout opening. The shaded area will be visible after installation.

#### ELECTRICAL

A 115V, 60Hz, 15 or 20 amp power supply is required. An individual properly grounded branch circuit or circuit breaker is recommended. Install a properly grounded 3-prong electrical receptacle recessed into the back wall. Electrical must be located on rear wall as shown.

Note: GFI (ground fault interrupter) is not recommended.

#### WATER LINE

The water pressure must be between 20 and 120 psi.

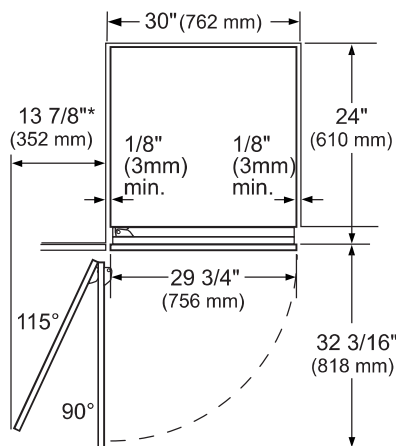
Tubing should be long enough to extend to the front of the refrigerator. Allow enough tubing to accommodate a bend leading into the water line connection.

Water line can enter an opening through the floor or back wall.

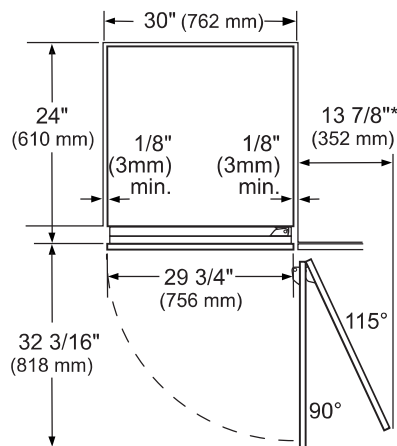
Install a shut-off valve between the water valve and cold water supply in the home.

## INSTALLATION CLEARANCES

TOP VIEW



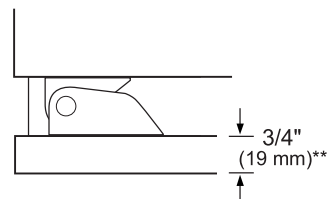
SKSCF3001P



SKSCR3001P

\* Door handle must be added to this dimension.

\*\* Varies depending on the thickness of the custom cabinet panel. The door panels in the optional Signature Kitchen Suite stainless steel door panel kit are 3/4" (19 mm) thick.



### NOTE

#### Door Swing Clearances

The installation must allow for clearances to adjacent walls or cabinets. This freezer / refrigerator is equipped with a 2-position door stop. The factory-set 115° door swing can be adjusted to 90° if clearance to adjacent cabinets or walls is restricted.

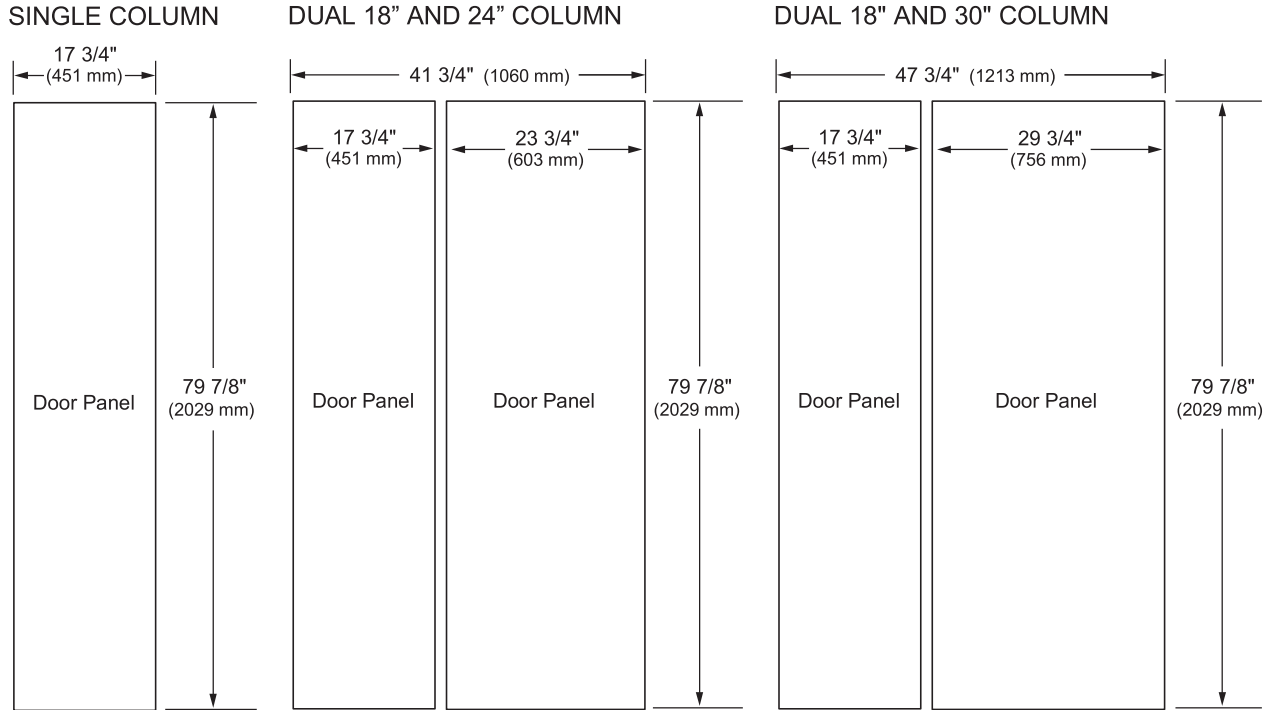
#### Door Handle Clearances

The door handle depth must be added to the dimension where noted to determine the total clearances required from adjacent cabinets or walls. This clearance will vary depending on the custom handle used. When using Signature Kitchen Suite handles or the Signature Kitchen Suite stainless steel door panel kit with handles (optional accessories), the door handle clearance with the door open 115° is 16" (406 mm).

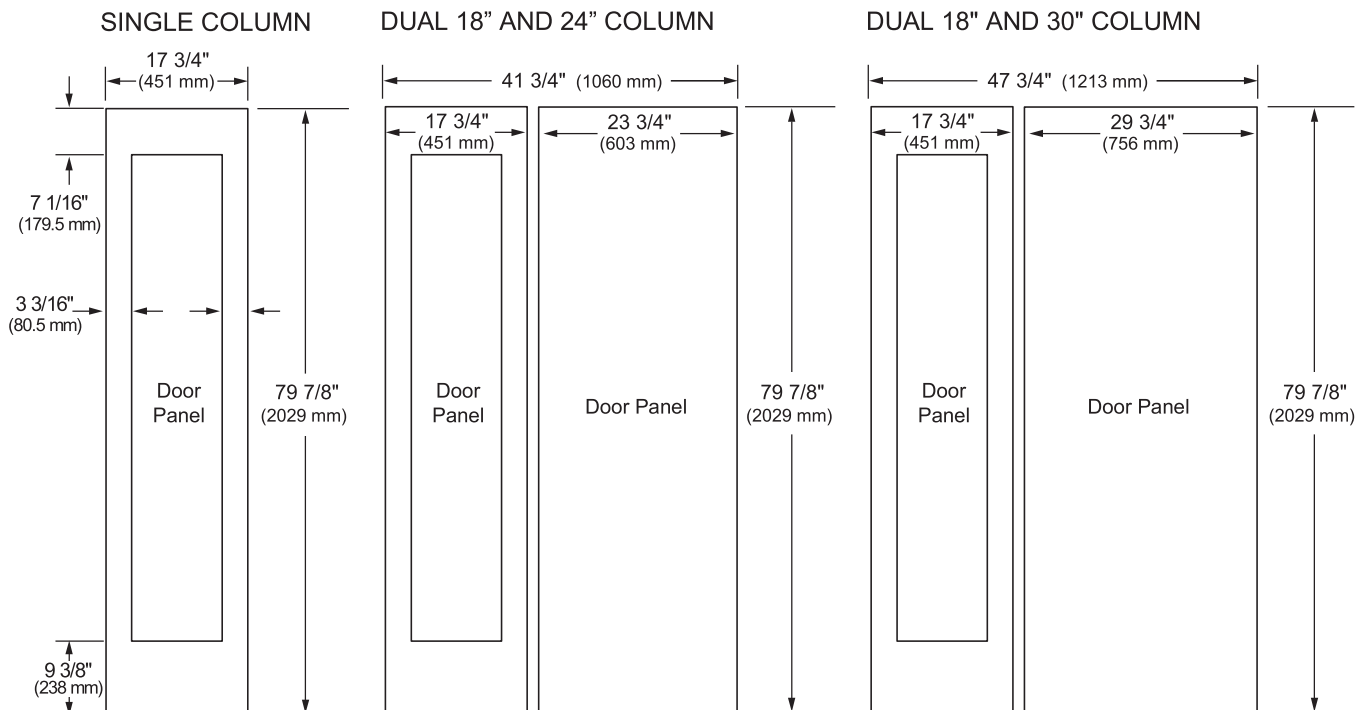
# SKSCF1801P – 18" INTEGRATED FREEZER COLUMN SKSCW181RP – 18" INTEGRATED WINE COLUMN

## 3/4" (19 MM) CUSTOM PANEL DIMENSIONS – FLUSH INSTALLATION

### Freezer/Refrigerator Column



### Wine Column



## NOTES

Trimmed units are designed to be customized with decorative panels. Field-installed 3/4" (19 mm) custom door panels are required.

For custom panels: Use templates provided with units to pre-drill holes for mounting panel brackets (provided with unit). Adjustment screws and instructions also provided with units.

Maximum total door panel weight for 30" column is 64 lb.

Maximum total door panel weight for 24" column is 53 lb.

Maximum total door panel weight for 18" column is 44 lb.

## DESIGN TIPS

4" (102 mm) will be visible on the interior sides of the cutout. It is recommended that the interior of the enclosure be finished to match the exterior. For retrofit/replacement installations, the optional frame kit may be used.

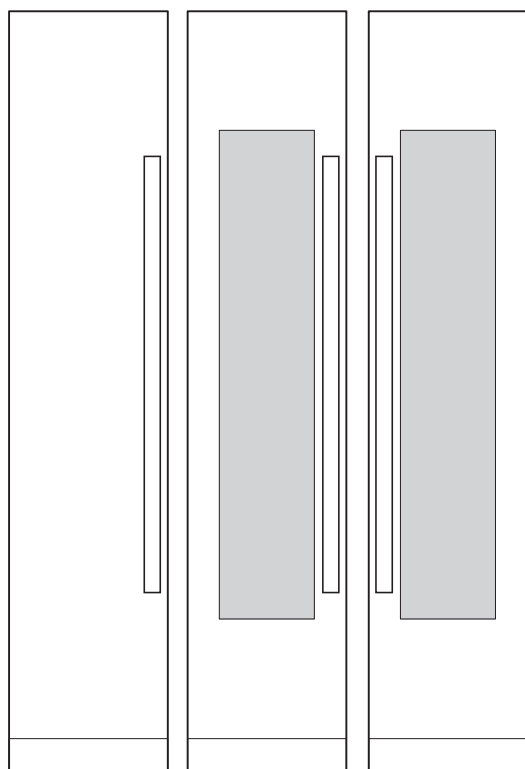
If using custom panels, a custom toe kick is required.

The bottom of the case is unfinished.

Door Handles: Handles are not included with the units.

Custom handles are required for installation. Brushed aluminum handles are available as an optional accessory.

## OPTIONAL ACCESSORIES – FLUSH OR PROUD INSTALLATION



SKSPK180CS  
SKSPK185CS

SKSWK185LS

SKSWK185RS

SKSPK180CS/SKSPK185CS – STAINLESS STEEL PANEL KIT FOR 18" FREEZER COLUMN

SKSWK185RS/SKSWK185LS – STAINLESS STEEL PANEL KIT FOR 18" WINE COLUMN

This unit can be installed with an optional stainless steel panel kit. The freezer column kit is reversible and can be used in both right hand and left hand door swing installations. The wine column panel kits are not reversible.

SKSFK800CS – FRAME KIT

This unit can be installed in a 24" (610 mm) deep cutout with an optional frame kit. The kit includes two 80" (2032 mm) brushed aluminum side trim pieces. Each trim piece is 5" (127 mm) deep with a 1/8" (3 mm) front face.

HANDLES FOR USE WITH CUSTOM PANELS

SKSHK310HS – 31 11/16" (805 mm) Medium Brushed Aluminum Handle

SKSHK480HS – 48" (1219 mm) Long Brushed Aluminum Handle

### DESIGN TIPS

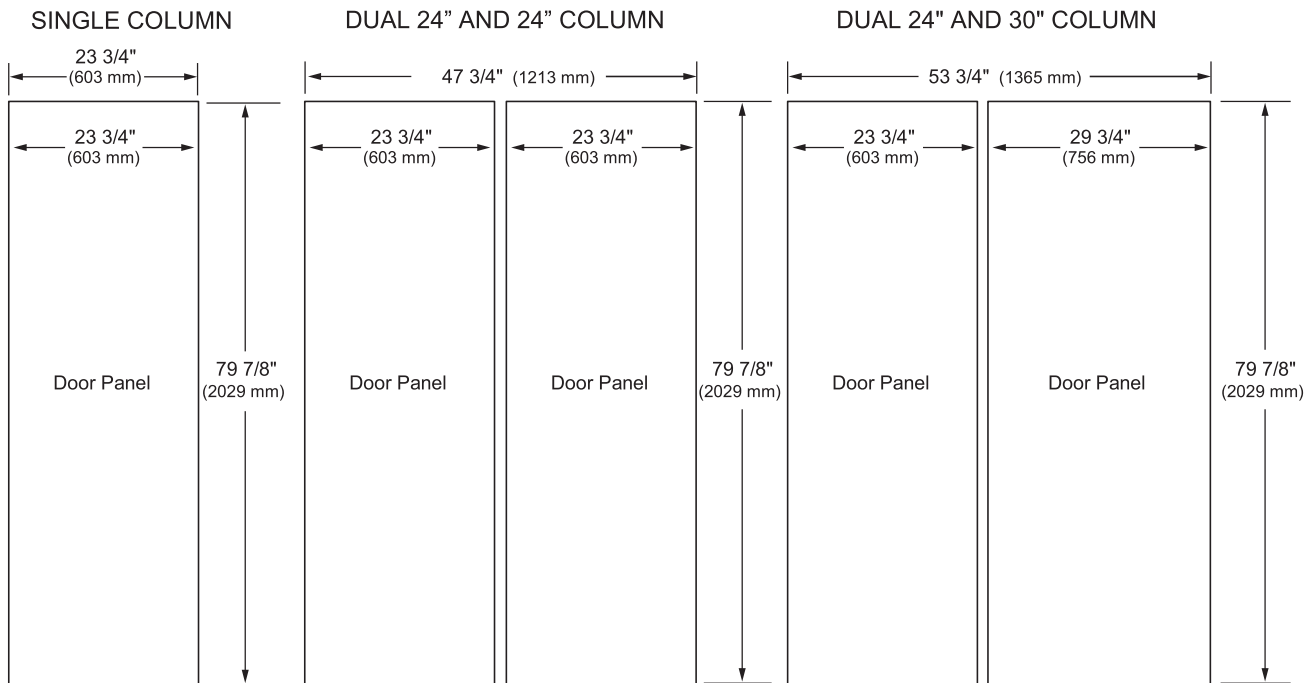
The stainless steel panel kit may be used in a flush 25" (635 mm) cutout depth installation or in a proud 24" (610 mm) cutout depth installation.

The optional frame kit is recommended for retrofit/replacement installations where the existing cutout is 24" (610 mm) deep.

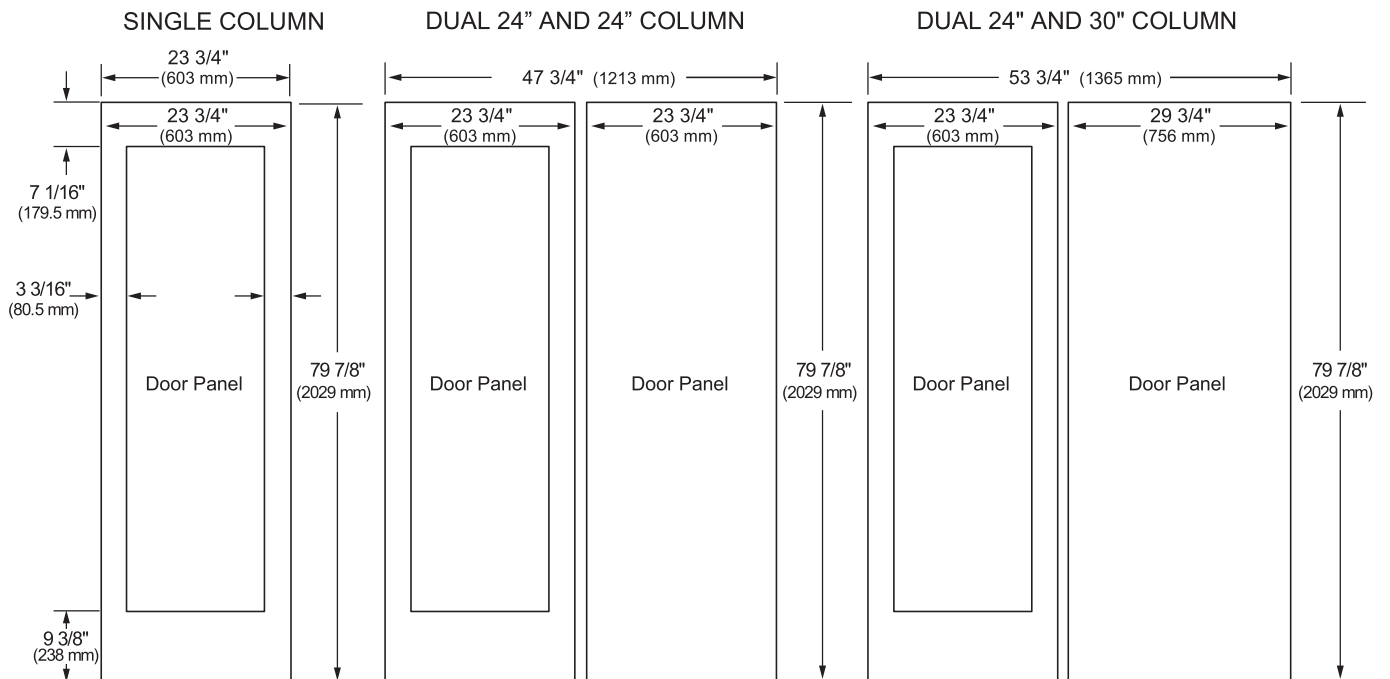
SKSCF2401P – 24" INTEGRATED FREEZER COLUMN  
 SKSCR2401P – 24" INTEGRATED REFRIGERATOR COLUMN  
 SKSCW241RP – 24" INTEGRATED WINE COLUMN

**3/4" (19 MM) CUSTOM PANEL DIMENSIONS – FLUSH INSTALLATION**

**Freezer/Refrigerator Column**



**Wine Column**



## NOTES

Trimmed units are designed to be customized with decorative panels. Field-installed 3/4" (19 mm) custom door panels are required.

For custom panels: Use templates provided with units to pre-drill holes for mounting panel brackets (provided with unit). Adjustment screws and instructions also provided with units.

Maximum total door panel weight for 30" column is 64 lb.

Maximum total door panel weight for 24" column is 53 lb.

Maximum total door panel weight for 18" column is 44 lb.

## DESIGN TIPS

4" (102 mm) will be visible on the interior sides of the cutout. It is recommended that the interior of the enclosure be finished to match the exterior. For retrofit/replacement installations, the optional frame kit may be used.

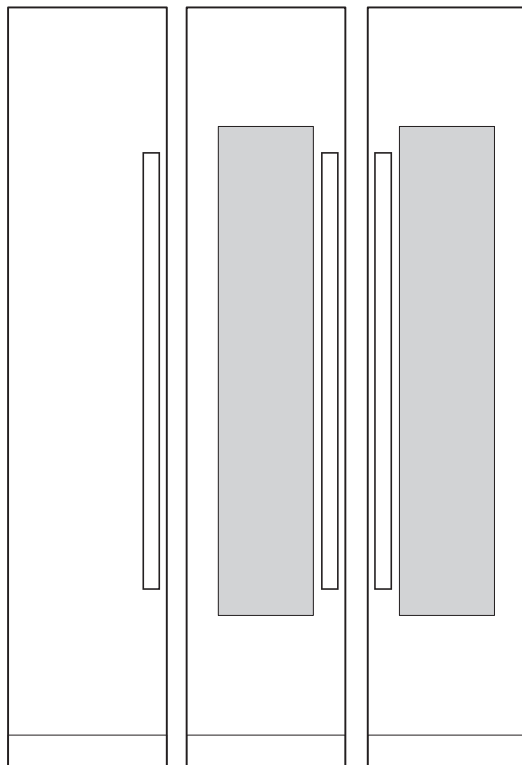
If using custom panels, a custom toe kick is required.

The bottom of the case is unfinished.

Door Handles: Handles are not included with the units.

Custom handles are required for installation. Brushed aluminum handles are available as an optional accessory.

## OPTIONAL ACCESSORIES – FLUSH OR PROUD INSTALLATION



SKSPK240CS  
SKSPK245CS

SKSWK245LS

SKSWK245RS

SKSPK240CS/SKSPK245CS – STAINLESS STEEL PANEL KIT FOR 24" FREEZER / REFRIGERATOR COLUMN

SKSWK245RS/SKSWK245LS – STAINLESS STEEL PANEL KIT FOR 24" WINE COLUMN

This unit can be installed with an optional stainless steel panel kit. The freezer/refrigerator column kit is reversible and can be used in both right hand and left hand door swing installations. The wine column panel kits are not reversible.

SKSFK800CS – FRAME KIT

This unit can be installed in a 24" (610 mm) deep cutout with an optional frame kit. The kit includes two 80" (2032 mm) brushed aluminum side trim pieces. Each trim piece is 5" (127 mm) deep with a 1/8" (3 mm) front face.

HANDLES FOR USE WITH CUSTOM PANELS

SKSHK310HS – 31 11/16" (805 mm) Medium Brushed Aluminum Handle

SKSHK480HS – 48" (1219 mm) Long Brushed Aluminum Handle

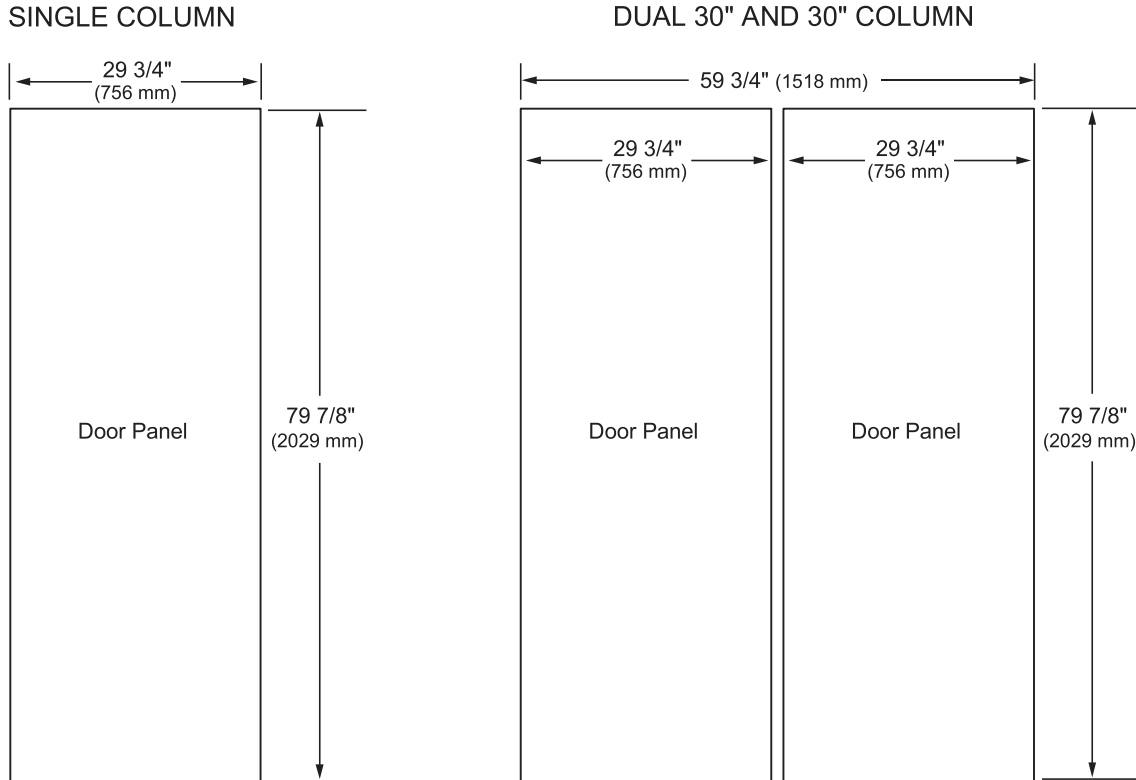
### DESIGN TIPS

The stainless steel panel kit may be used in a flush 25" (635 mm) cutout depth installation or in a proud 24" (610 mm) cutout depth installation.

The optional frame kit is recommended for retrofit/replacement installations where the existing cutout is 24" (610 mm) deep.

## SKSCF3001P – 30" INTEGRATED FREEZER COLUMN SKSCR3001P – 30" INTEGRATED REFRIGERATOR COLUMN

### 3/4" (19 MM) CUSTOM PANEL DIMENSIONS – FLUSH INSTALLATION



#### NOTES

Trimmed units are designed to be customized with decorative panels. Field-installed 3/4" (19 mm) custom door panels are required.

For custom panels: Use templates provided with units to pre-drill holes for mounting panel brackets (provided with unit). Adjustment screws and instructions also provided with units.

Maximum total door panel weight for 30" column is 64 lb.

Maximum total door panel weight for 24" column is 53 lb.

Maximum total door panel weight for 18" column is 44 lb.

#### DESIGN TIPS

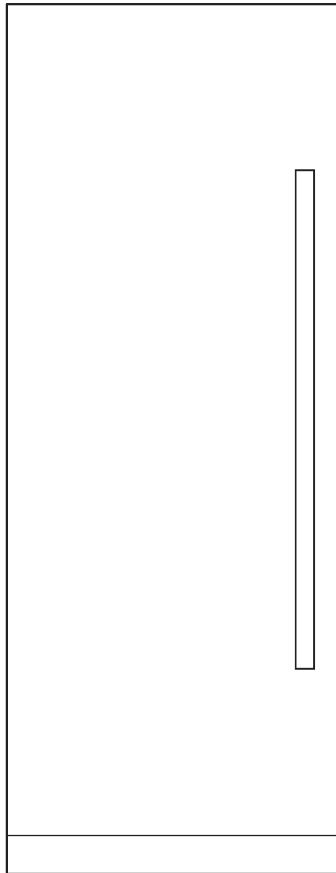
4" (102 mm) will be visible on the interior sides of the cutout. It is recommended that the interior of the enclosure be finished to match the exterior. For retrofit/replacement installations, the optional frame kit may be used.

If using custom panels, a custom toe kick is required. The bottom of the case is unfinished.

Door Handles: Handles are not included with the units. Custom handles are required for installation. Brushed aluminum handles are available as an optional accessory.



## OPTIONAL ACCESSORIES – FLUSH OR PROUD INSTALLATION



SKSPK300CS  
SKSPK305CS

### SKSPK300CS/SKSPK305CS – STAINLESS STEEL PANEL KIT FOR 30" FREEZER / REFRIGERATOR COLUMN

This unit can be installed with an optional stainless steel panel kit. The kit includes one door panel, one toe kick and one handle. This kit is reversible and can be used in both right hand and left hand door swing installations.

### SKSFK800CS – FRAME KIT

This unit can be installed in a 24" (610 mm) deep cutout with an optional frame kit. The kit includes two 80" (2032 mm) brushed aluminum side trim pieces. Each trim piece is 5" (127 mm) deep with a 1/8" (3 mm) front face.

### HANDLES FOR USE WITH CUSTOM PANELS

SKSHK310HS – 31 11/16" (805 mm) Medium Brushed Aluminum Handle

SKSHK480HS – 48" (1219 mm) Long Brushed Aluminum Handle

### DESIGN TIPS

The stainless steel panel kit may be used in a flush 25" (635 mm) cutout depth installation or in a proud 24" (610 mm) cutout depth installation.

The optional frame kit is recommended for retrofit/replacement installations where the existing cutout is 24" (610 mm) deep.

## Required Accessories and Tools


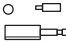

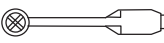
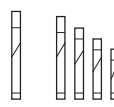




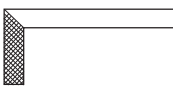
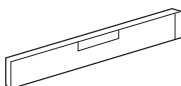
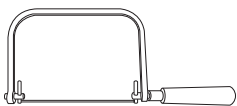
### Supplied Accessories

- Installation instructions
- Operating instructions
- Installation kit
- Water filter (included with refrigerator)

### Other

- Stepladder
- Dolly, hand truck
- Hammer drill for drilling holes in wall or floor.
- Drill bits in various sizes and suitable for materials
- Wood screws in different sizes
- Thin plywood sheet, particle board or cardboard to protect the floor from damage
- Suitable material for covering and protecting furniture (e.g. protective sheets)
- Adhesive tape
- An additional unification kit is available as an accessory (part number SKSFJ800P) from Signature Kitchen Suite.

### Tools

	Cordless screwdriver
	Torx bit T20, T30 and magnetic holder
	Torx screwdriver T20, T30
	6/16" (10 mm) hex nut driver
	Various drill bits
	Multigrip pliers
	Adjustable wrench
	Cutter with adjustable blade
	Metal tape measure, folding rule
	Square
	Level, length 2" (60 cm) and 4' (1.2 m)
	saw to cut top trim pieces (for retrofit installation only)

# Installation

The following installation instructions describe the installation steps for various appliance types:

- Refrigerator units with water dispenser
- Freezer units with ice maker

The diagrams may be a general representation of your appliance.

Particular reference is made to special installation steps for individual appliance types.

## Unpacking

### WARNING

To avoid serious injury or product damage:

- DO NOT open appliance door unless the product is secured against tipping.
- The appliance is very heavy and is prone to tipping if not secured.
- To avoid injury, use 2 or more people and proper lifting techniques when lifting or moving the appliance.

Check appliance for damage in transit.

Do not install the appliance if it is visibly damaged.

If in doubt, contact your dealer.

1. Remove the packaging carton, being careful not to damage the surface of the appliance.
2. To avoid floor damage, place packaging cardboard or plywood under the appliance.
3. Remove accessories on the sides and underneath the appliance.

#### NOTE:

To avoid damaging parts, do not remove the protective shipping materials inside the appliance until the installation is complete.

#### 4. Installation Preparation

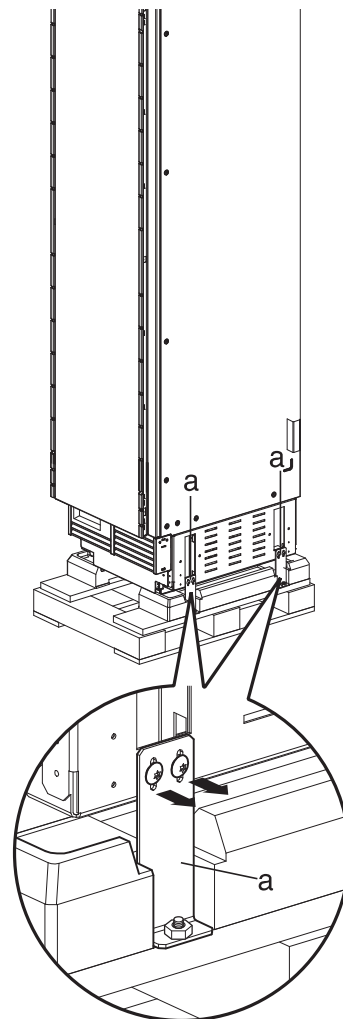
Unpack installation materials and accessories.

To simplify installation, the packages are identified with labels A, B and C corresponding to the manual sections.

#### CAUTION:

Appliance is very heavy. Use two or more people when lifting or moving the appliance.

5. Remove shipping brackets (a) and lift the appliance off the pallet.



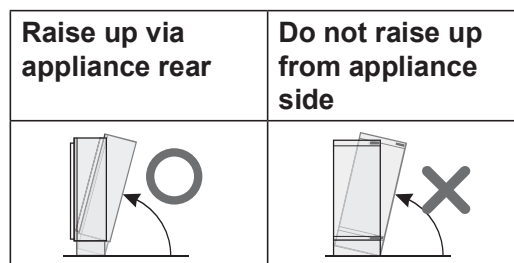
## Moving the Appliance

### WARNING

- To avoid injury, use 2 or more people and observe proper lifting techniques when lifting or moving the appliance.
- If the appliance cannot be transported in an upright position, transport it horizontally.

#### To avoid product damage:

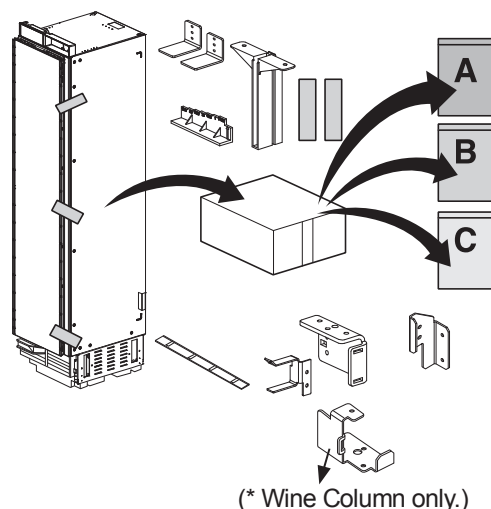
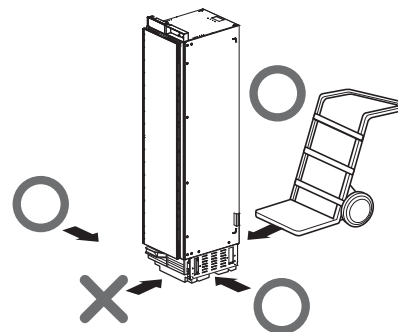
- Do not tilt the appliance toward the sides or lay it on its sides.
- Make sure there is sufficient room to stand the appliance upright before doing so.
- Use a dolly, lift truck or hand cart to transport the appliance.
- Transport from the rear side of the appliance ONLY.
- Secure the appliance during transport to prevent it from tipping.



## Special Circumstances

Before proceeding with your installation, check if any of the following special circumstances apply to your installation. If so, follow the relevant instructions in the Special Installations section before continuing the installation.

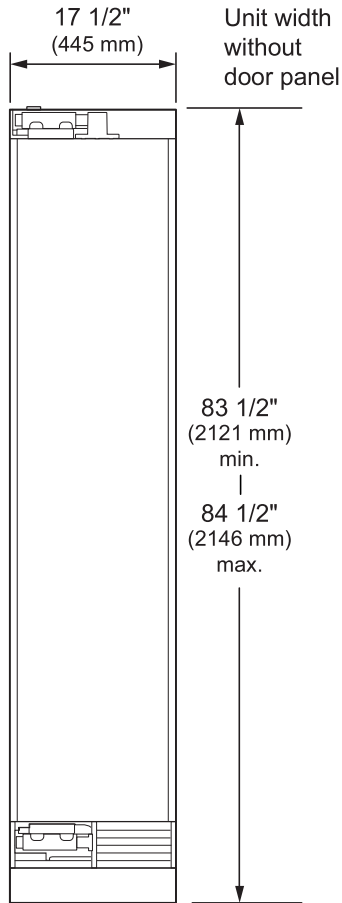
- Retrofit installation in existing enclosure: see Optional Frame Kit Accessory section.
- Reversing door swing: see Door Reversal section.
- Side-by-Side installation of 2 appliances: see Side-by-Side Installation section.



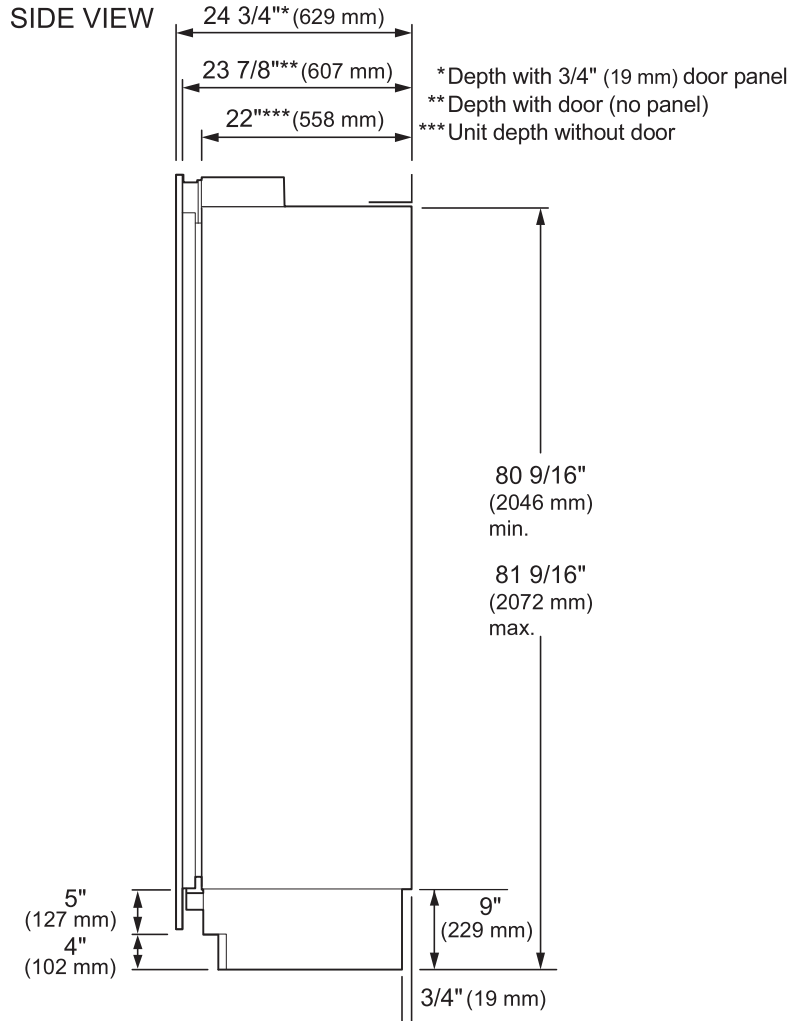
# Product Dimensions

## 18" Freezer / Wine Column

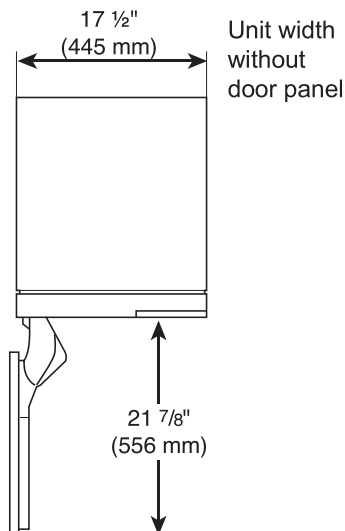
FRONT VIEW



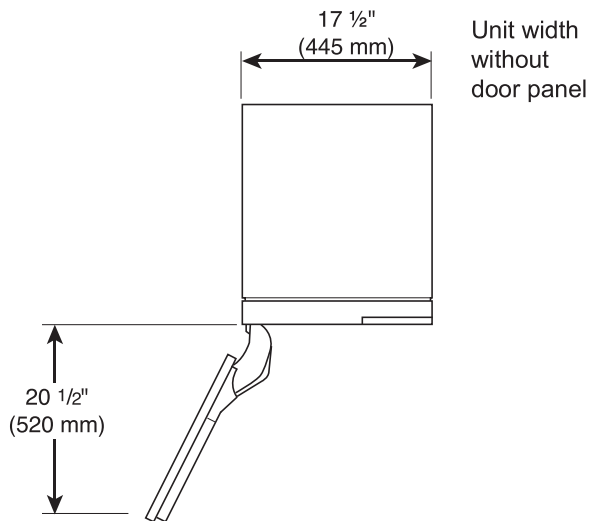
SIDE VIEW



TOP VIEW  
DOOR OPEN 90°



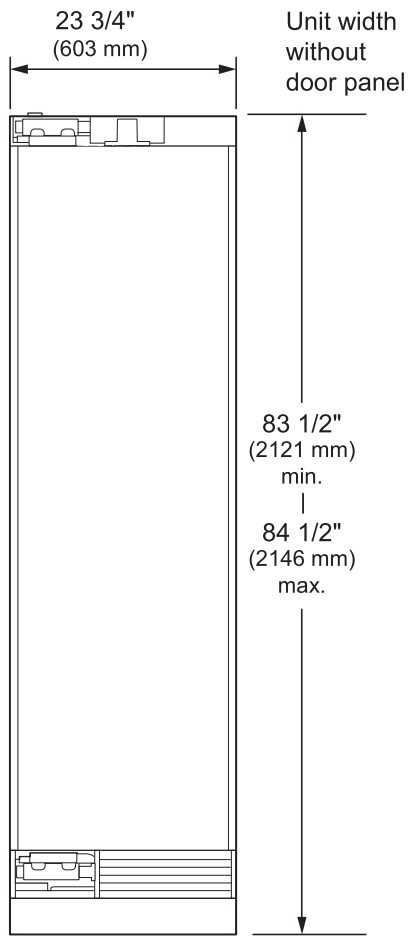
TOP VIEW  
DOOR OPEN 115°



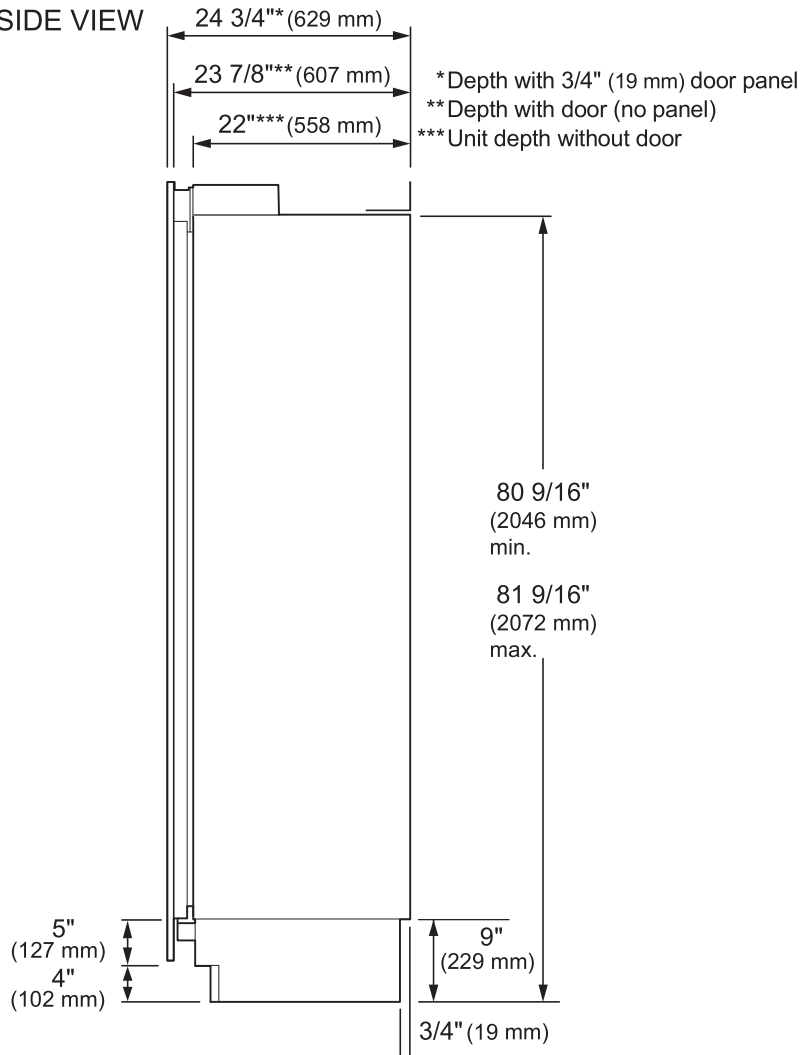
# 24" Freezer / Refrigerator / Wine Column

ENGLISH

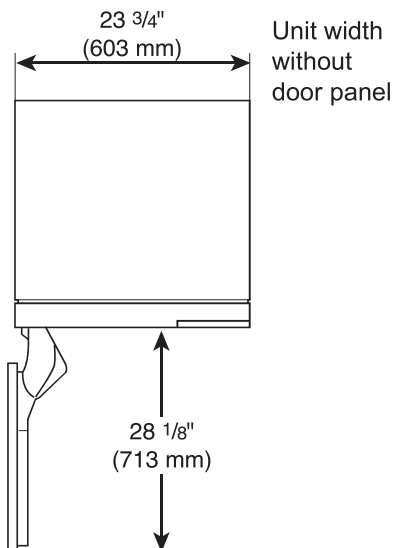
FRONT VIEW



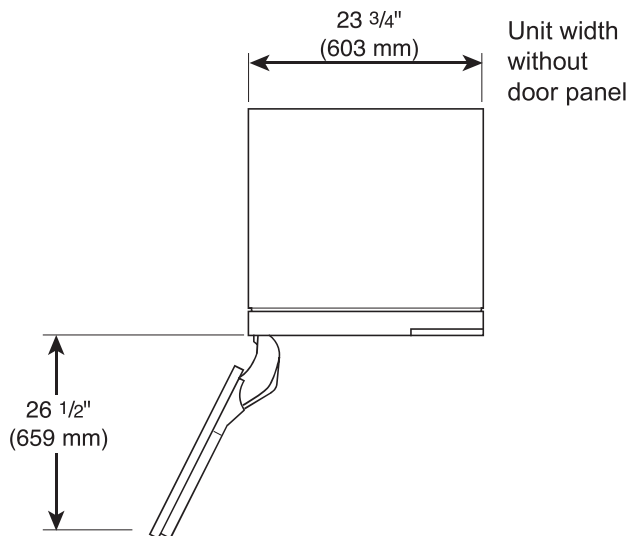
SIDE VIEW



TOP VIEW  
DOOR OPEN 90°

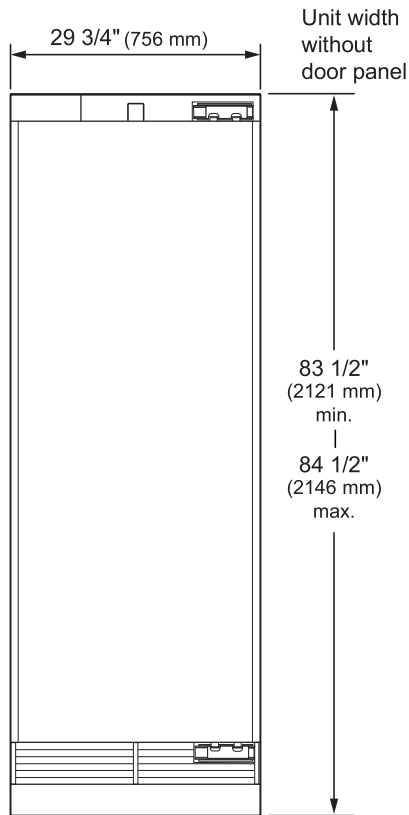


TOP VIEW  
DOOR OPEN 115°

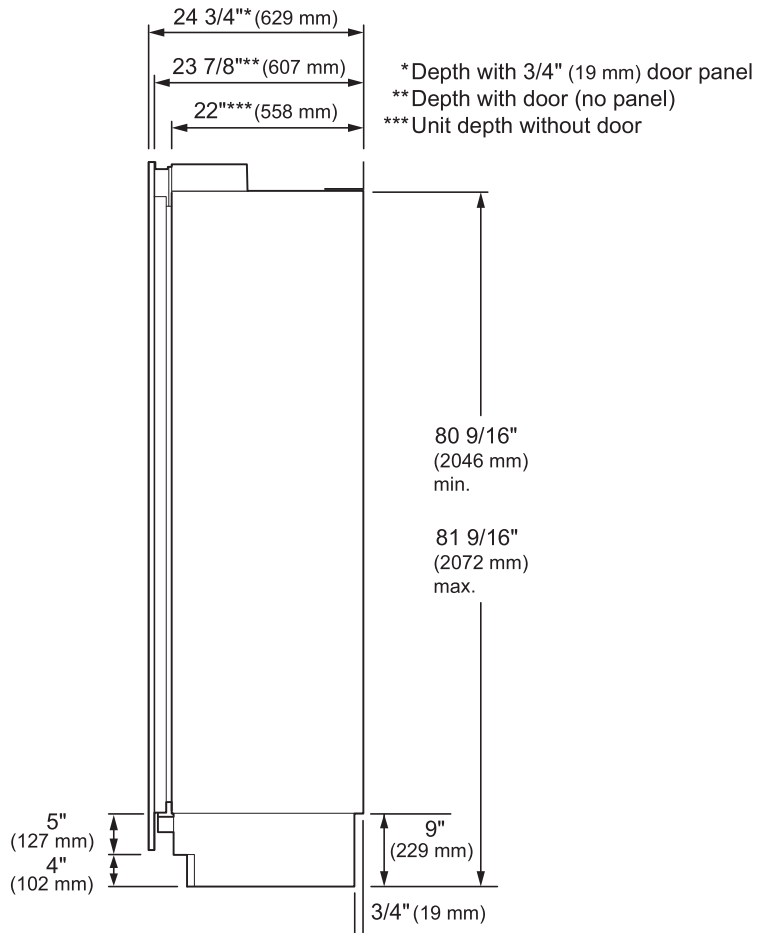


# 30" Freezer / Refrigerator Column

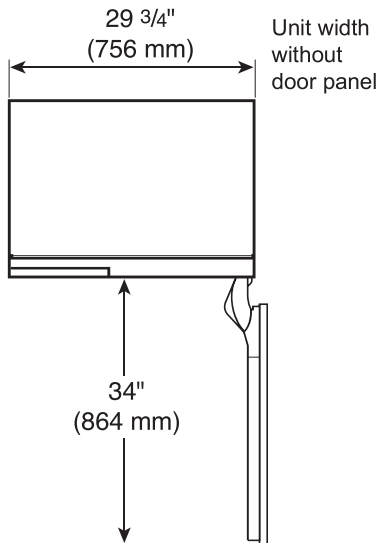
FRONT VIEW



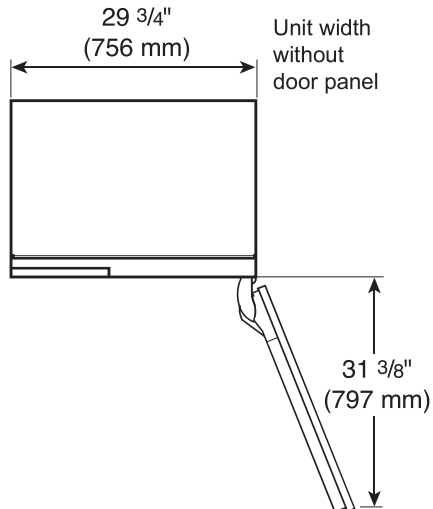
SIDE VIEW



TOP VIEW  
DOOR OPEN 90°



TOP VIEW  
DOOR OPEN 115°





**A**

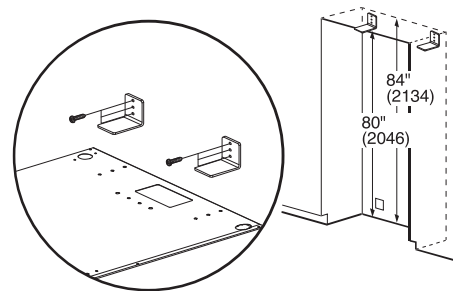
# Installing the Anti-tip Brackets

## **! WARNING**

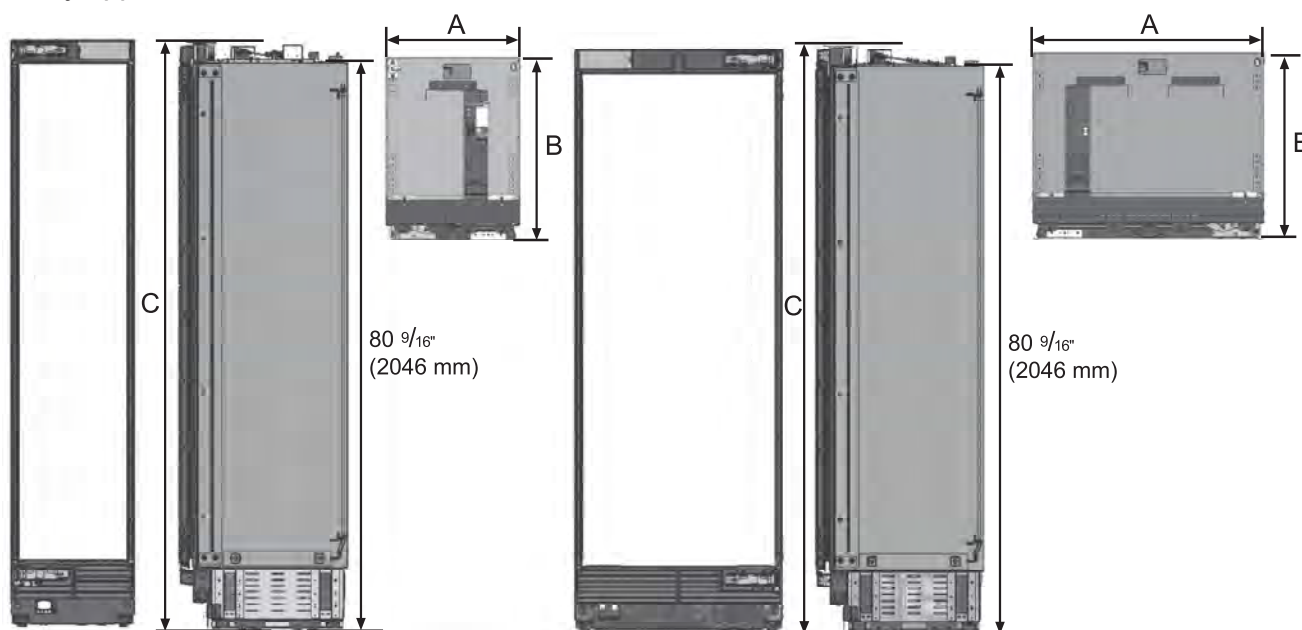
To avoid injury or damage, check for electrical wires or plumbing in walls before drilling or installing screws.

## **! CAUTION**

To avoid injury, observe all safety practices during installation, including wearing safety glasses and other safety apparel.



ENGLISH



	18" Unit	24" Unit	30" Unit
A (Width)	17 1/2" (445 mm)	23 3/4" (603 mm)	29 3/4" (756 mm)
B (Depth)	23 7/8" (607 mm)		
C (Height)	83 1/2" (2121 mm)		
D (Back height)	80 9/16" (2046 mm)		

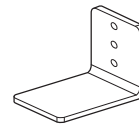
**NOTE:**

2 anti-tip-brackets are required for each appliance.

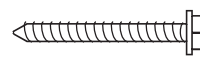
The anti-tip-brackets must overlap a minimum of 2 1/8" (54 mm) over the appliance to secure the appliance.

1. Install the anti-tip brackets at the rear of the enclosure, locating the brackets based on stud locations and product and enclosure dimensions.
2. Make sure the anti-tip brackets are securely attached to a stud or other weight-bearing structure. Do not attach brackets to drywall, cinder block, or uncured concrete.

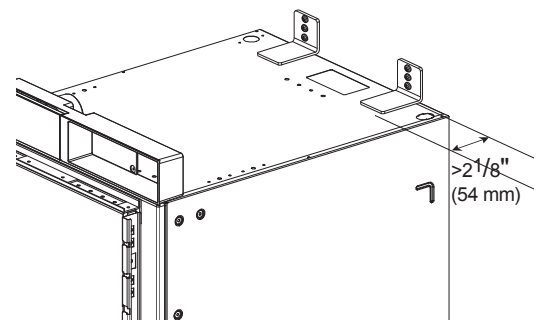
To ensure safety, at least one bracket must be attached to a stud. Attach brackets to studs wherever possible within the enclosure. Use a minimum of 3 screws or bolts to attach each bracket.



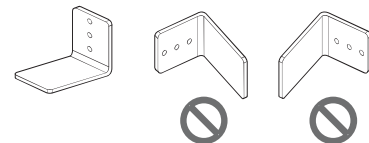
Anti-tip brackets (2)



Concrete / Wood wall  
5X45 6X (Hex)

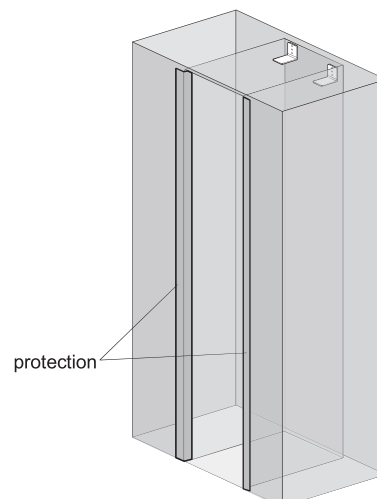


Brackets must be attached as shown at right. The brackets could fail to prevent tipover of the unit if installed in an alternate orientation.



## Protecting Edges of Enclosure

To protect the front edges of the enclosure, tape thin cardboard or some other protective material around the edges.



## Installing Appliance in Enclosure

### WARNING

Use 2 or more people when installing the appliance. Take care when moving the appliance. It is very heavy and prone to tipping when not secured.

### CAUTION

Take care to avoid damaging the water line or power cord when moving the appliance into the enclosure.

Before moving the unit into position, secure the door/ drawers closed and protect any finished flooring.

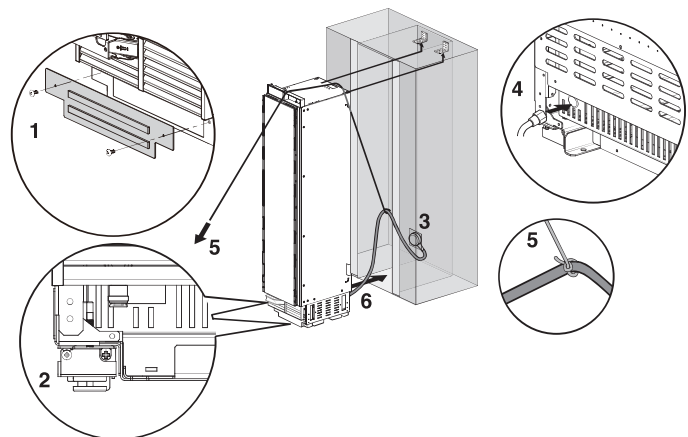
Use an appliance dolly to move the unit near the opening.

The front leveling legs are extended below the front rollers to improve stability during placement. Once the unit is placed in front of the opening, completely retract the front leveling legs to allow the unit to be rolled into position. Front and rear leveling legs can be adjusted from the front once the unit is positioned.

If the unit has been on its back or side, it must stand upright for a minimum of 24 hours before turning on the power.

After the appliance is rolled into position, verify that the anti-tip brackets are properly engaged.

1. Remove the base panel.
2. Retract the leveling legs so the appliance can be wheeled forward.
3. Plug the power cord into the outlet.
4. Push the water line through the hole at the rear of the appliance until it emerges from the hole at the front of the appliance.
5. Tie a long string around the middle of the power cord. Feed the string over the top of the appliance, pull it until the power cord is held high off the ground, then tape the string to the front of the appliance to hold the power cord off the ground. Do not pinch or strain the power cord. Make sure it is still plugged in.
6. Carefully move the appliance into the enclosure, making sure not to pinch the power cord or water line under or behind the appliance.
7. Remove the edge protection on the enclosure.



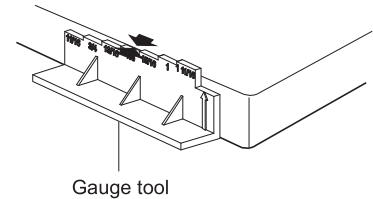
## Aligning and Leveling the Appliance

### DEPTH ADJUSTMENT

Adjust the depth of the unit in the enclosure so the door panels will fit flush with the surrounding cabinetry. Use the gauge tool provided for a precise fit.

#### 1. Measure the thickness of your decorative door panels using the gauge tool.

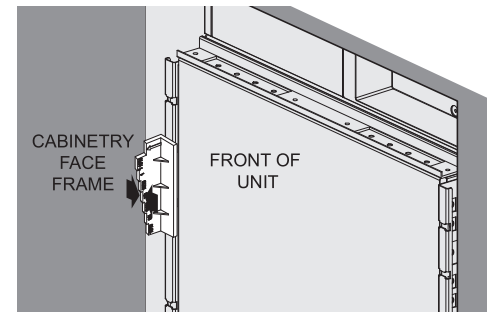
Set the door panel on a flat, protected surface and place the gauge tool next to the panel. Mark the notch on the gauge tool that matches the thickness of the door panel.



Measure panel thickness

#### 2. Use the mark on the gauge tool to adjust the depth of the appliance in the enclosure.

Place the gauge tool against the closed door of the appliance at the side of the enclosure. The marked notch on the gauge tool should align with the front edge of the enclosure.



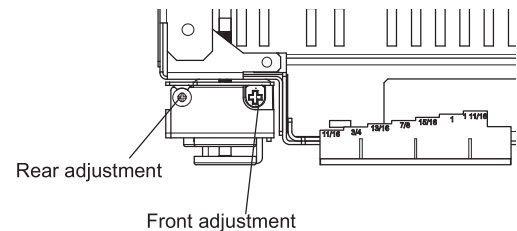
Align depth of unit

### HEIGHT ADJUSTMENT

The front and rear leveling legs can both be adjusted from the front.

Front: Use 5/16" (8 mm) Phillips driver with flexible shaft.

Rear: Use 5/16" (8 mm) Phillips driver with flexible shaft.



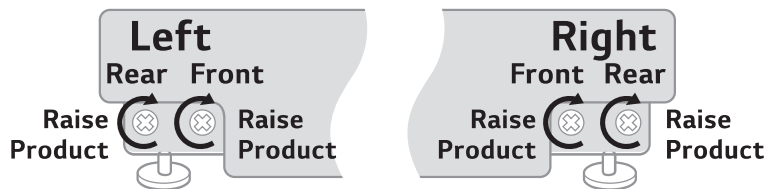
## WARNING

To reduce the possibility of the unit tipping forward, the front leveling legs must be in contact with the floor.

## LEVELING

Once the appliance is aligned properly in the enclosure, level it using the front and rear leveling legs.

1. Use a Phillips screwdriver to extend the front and rear leveling legs until they are in firm contact with the floor.



Leveling

2. Turn the screws as shown above to raise the appliance. Turn the screws in the opposite direction to lower the appliance.
3. Make sure the weight of the refrigerator is carried on the legs, not the wheels.
4. Use a smartphone leveling app or place a carpenter's level on the top and sides of the appliance to check that it is level and plumb. Or use the provided gauge tool to measure the distance of the bottom edge of the appliance from the floor at the front corners.

## CAUTION

- If using a power drill, use the lowest torque setting.
- Leave at least 3/8 inch (10 mm) between the top front of the appliance and the top of the enclosure to fit the top filler strip.
- Do not exceed 20 inch-pounds (2.25Nm) of torque.
- 20 revolutions equal 1/16" (2mm) of height adjustment.

## Attaching Appliance to Enclosure

### WARNING

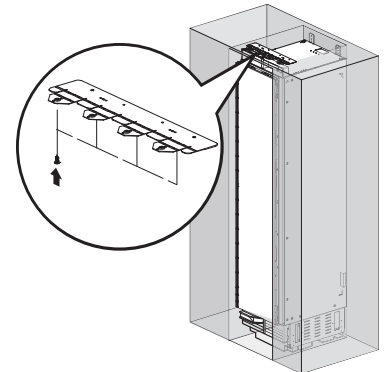
- To avoid tipovers, the appliance must be attached to the top of the enclosure.
- The top of the enclosure must be made of a solid material (not MDF) that is at least 5/8" (16 mm) thick.

1. Screw the lugs on the safety bracket at the top of the appliance to the top of the enclosure.
2. If there is a large gap between the top of the appliance and the top of the enclosure, insert a piece of wood between the lugs and the top of the enclosure to fill the gap.
3. Screw the side safety brackets to the sides of the enclosure.

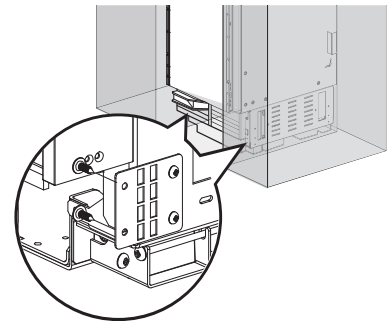
**NOTE:** If installing two appliances side-by-side, attach the appliances to each other using the unification kit. Attach them to the sides of the enclosure as if they were one unit.

4. Slide the top piece from the front filler assembly (a) in at the top of the appliance until it engages with the top safety bracket.
5. Once the top piece of the filler assembly is in place, slide the base of the filler assembly in under it and snap the top into the base (b).

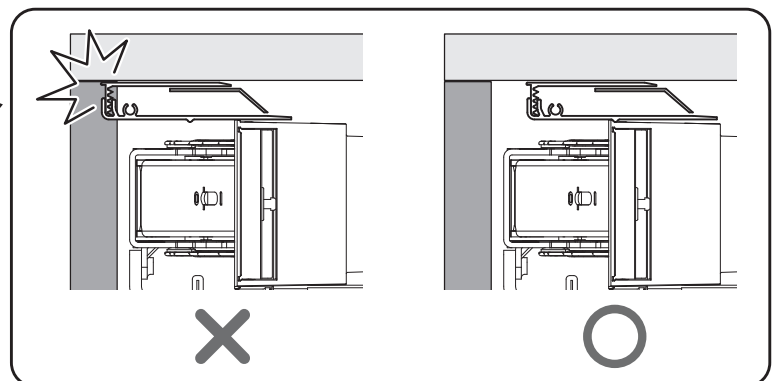
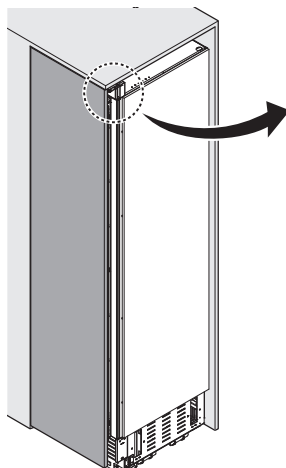
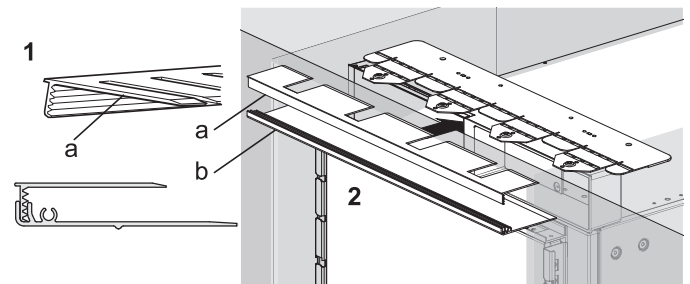
**NOTE:** If installing two appliances side-by-side, attach both top covers using the bolt found in the accessories package.



 4X15 4X



 4X15 4X



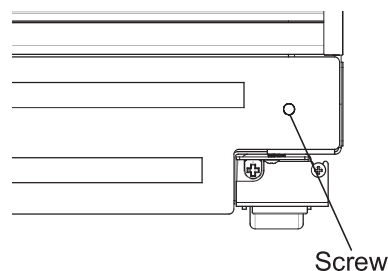
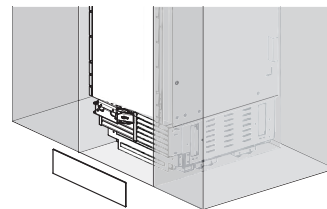
## Attaching the Toe Kick Panel

### CAUTION

To avoid damage to the appliance, do not block the ventilation slots in the base panel.

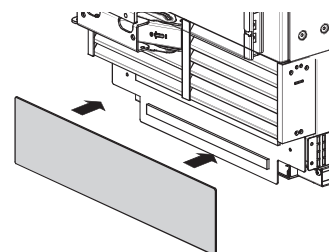
### Stainless Toe Kick Panel (Optional Accessory)

1. Screw the base panel to the appliance.
2. Remove the protective film from the adhesive on the provided magnetic strips.
3. Stick the magnetic strips to the back of the stainless toe kick panel.
4. Attach the stainless toe kick panel to the base panel using the magnetic strips.



### Wood Toe Kick Panel

1. If necessary, trim wood panel to fit width of enclosure.
2. Screw the base panel to the appliance.
3. Remove the protective film from the adhesive on the provided magnetic strips.
4. Stick the magnetic strips to the back of the wood toe kick panel.
5. Attach the wood toe kick panel to the base panel using the magnetic strips.

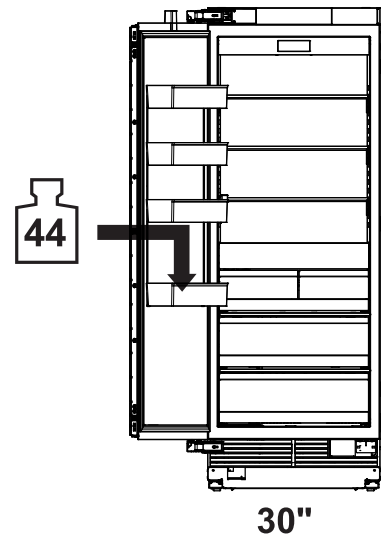
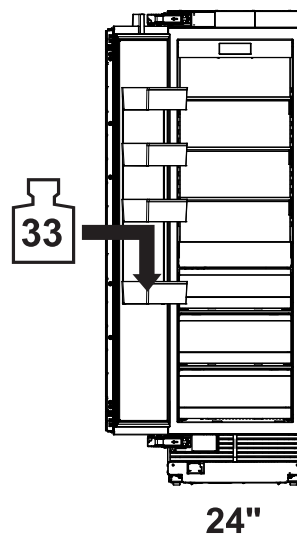
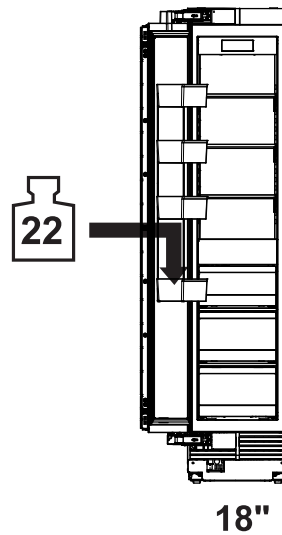


## Loading the Appliance Door

For precise results, before attaching the door panels, load the door bins with weights to ensure the gap width remains correct after food is stored in the door.

Recommendations:

- 18" Appliance: 22 lbs/10 kg
- 24" Appliance: 33 lbs/15 kg
- 30" Appliance: 44 lbs/20 kg





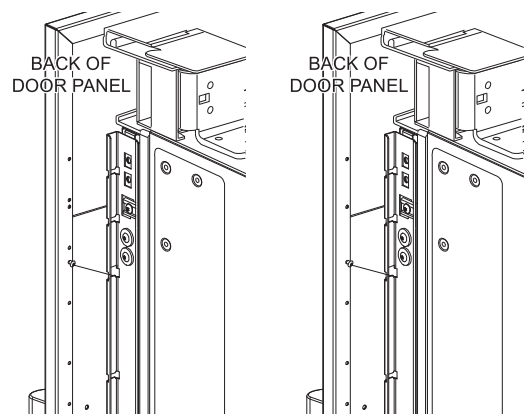
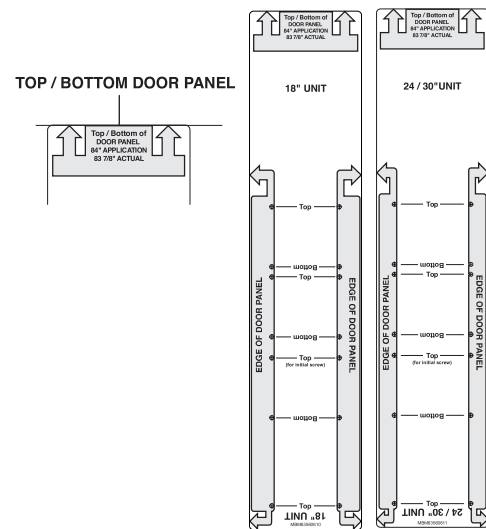
## C

## Installing Door Panels

Typical panel dimensions are based on an 84" (213.4 cm) finished height with 1/8" (3.2 mm) reveals. Template placement must be adjusted for panels exceeding typical dimensions.

The door panel should be installed first, followed by the upper then lower drawer panel, if needed.

1. Place the door panel face down on a protected surface.
2. Locate the correct side of the door panel template for your product and position the template flush with the top and left sides of the panel.
3. Use the template to mark the correct screw locations on the back of the panel.
4. Slide the template to the right so it is flush with the top and right sides of the panel.
5. Use the template to mark the correct screw locations on the back of the panel.
6. On refrigerator/freezer columns, begin inserting a #8 x 1/2" screw into the fifth hole from the top on each side. On wine columns, use the third hole from the top. Stop when the screws are 3/16" (4 mm) proud of the panel. These will be the support screws during the panel installation.
7. Insert the support screws in the slotted holes on the appliance door mounting brackets so that the panel is hanging on the door.



4X12  
Mounting door panel

### CAUTION

Beware of pinch points when installing door panels or opening and closing doors.

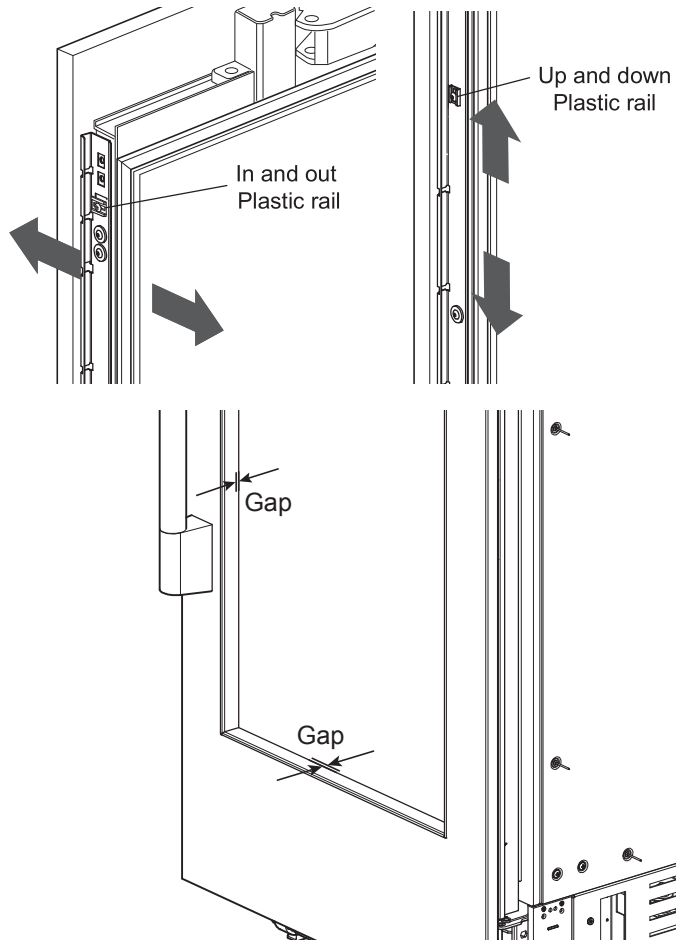
## Adjusting Door Panels

Fine adjustments can now be made to align the door panels.

1. To adjust the door panel horizontally, slide the panel support screws left or right in the slotted holes as desired. Have an assistant hold the panel in place while you tighten the support screws and insert and tighten all remaining mounting screws.
2. To adjust the door panel vertically or back and forward, loosen the screws in the appliance door bracket. Move the plastic rails to make adjustments as desired. Have an assistant hold the bracket in place while you tighten all the bracket screws.

### NOTES

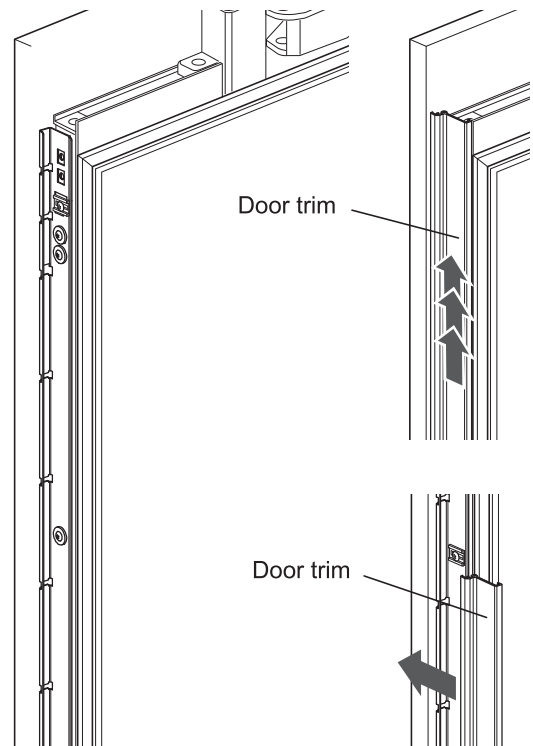
When adjusting the wine door panel, there will be a small gap between the surface of the glass door and the plastic panel flange. This is normal.



## Installing Door Trim

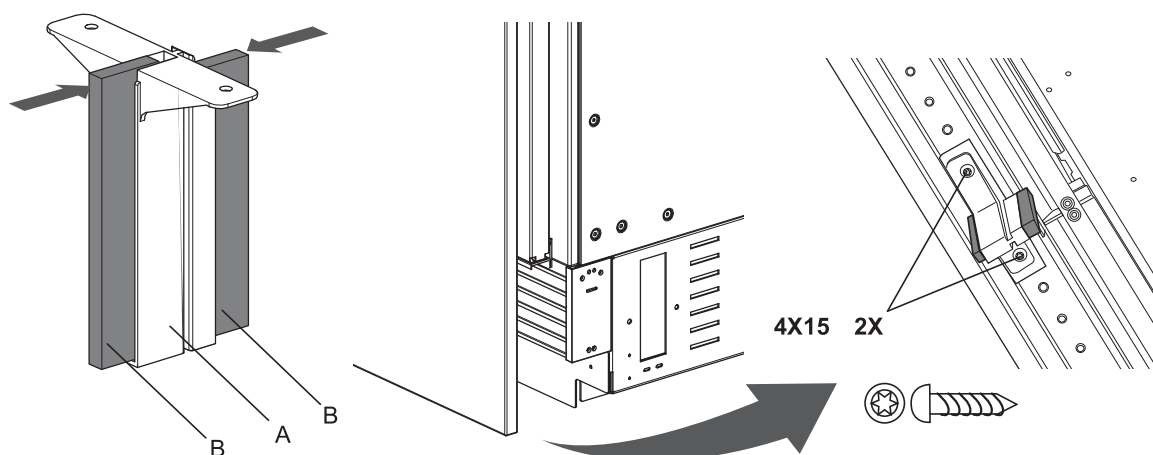
After panels have been adjusted, install the decorative side trim on the doors.

To install, start at the middle and align the trim with the front and rear flanges on the bracket, then snap into place by pushing the trim toward the back of the panel. Once the middle is secure, continue the installation upward until the remaining trim is completely secure.



## Attaching Air Separator

Assemble A with B and attach on bottom front center of door.

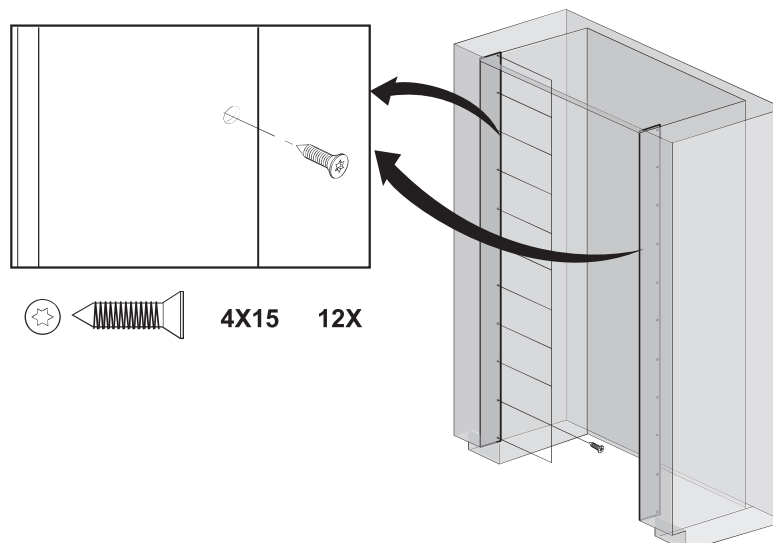


## Special Installations

### Optional Frame Kit Accessory

Purchase and install the optional frame kit for retrofit side-by-side installations. The kit includes stainless trim pieces to cover the front edges inside the enclosure. See detailed installation instructions with the kit.

Attaching side trim for retro fit



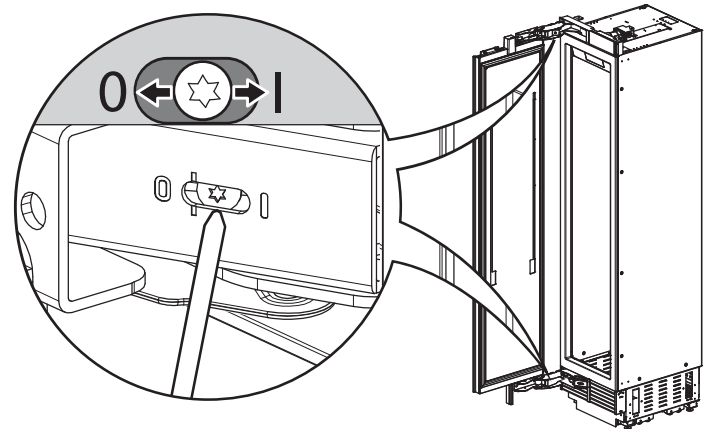
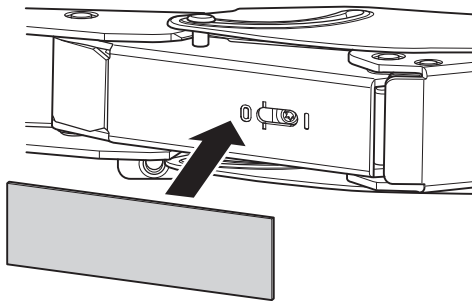
## Adjusting the Door Spring

Rotate the adjusting screw with the T20 bit provided.

I = maximum spring tension

0 = no spring tension

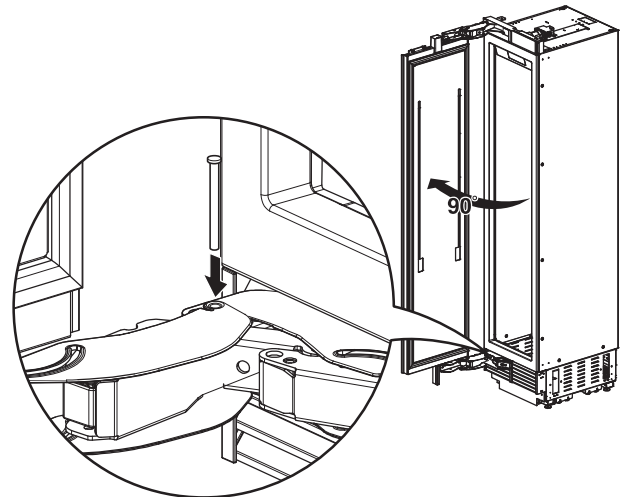
(Optional) After adjusting the door spring, attach the gray plastic sheets to hide the adjusting screws.



## Adjusting the Door Stop

The default door stop position is 115°. Follow these instructions to change the door stop position to 90°.

1. Open the door to 90°.
2. Insert the door stop pin in the holes which are now aligned at the back of the hinge. Use a rubber mallet to fully insert the pin.

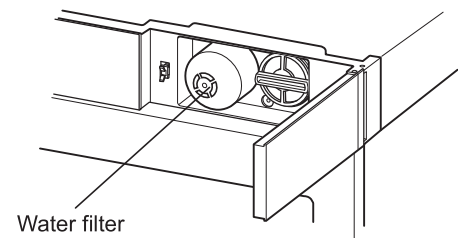


## Water Filter Bypass

Removing the water filter automatically puts the appliance in the filter bypass mode. This allows the appliance to be run without a water filter.

### Removing the Water Filter

1. Push in slightly on the water filter access door to open it.
2. Use the cap to rotate the water filter counterclockwise and pull out the water filter. See the owner's manual for detailed instructions.



## Reversing the Door

### WARNING

#### Risk of Injury

Before working on the hinge, release the tension on the hinge spring.

#### NOTE:

- To make door reversal easier, place the refrigerator on its back on a flat, protected surface before beginning.
- If reversing the door with the product standing upright, the door **MUST** be supported while removing or installing mounting bolts.

1. Open the door and release the tension on the hinge spring <sup>1</sup> by using the T20 bit provided to turn the screw from | to O.

2a. (For wine columns only)

Remove the 2 screws from the PCB cover (1) at the bottom of the appliance and pull off the cover. Remove the vent cover assembly as shown in step 6. Remove the 4 mounting screws from the link (2). Move the link to allow the door to be removed.

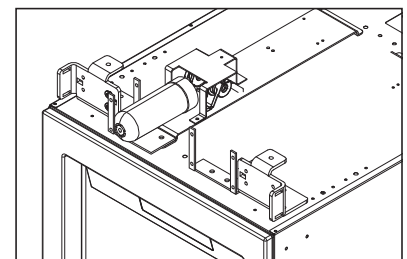
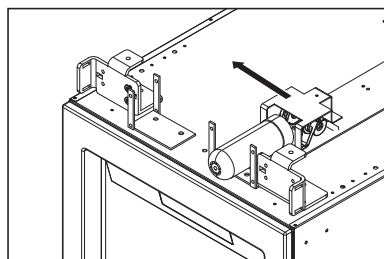
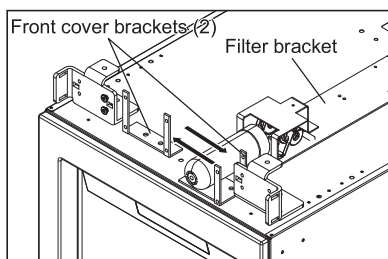
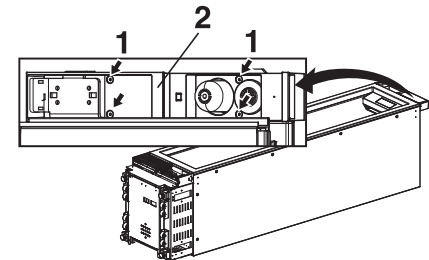
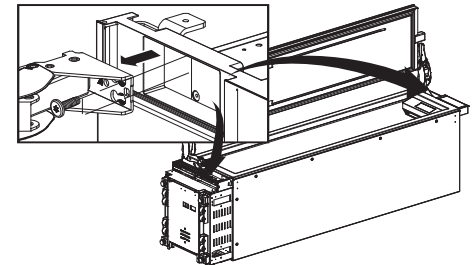
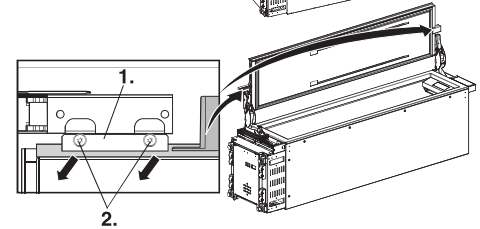
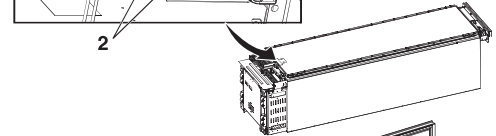
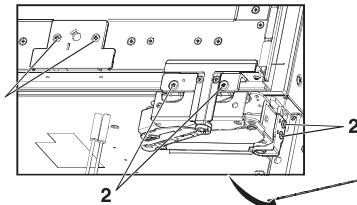
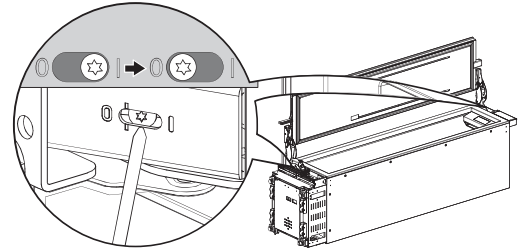
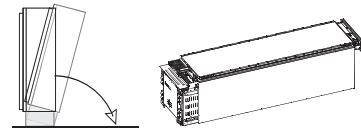
2b. If an air separator is attached, remove it. Remove the 2 mounting bolts at the top and bottom of the door (1). Remove the door (2) and lay it aside on a protected surface.

3. On the cabinet, remove 2 screws from the top and bottom hinges, remove the hinges, and lay the parts aside.

4. Open the water filter access door. Unscrew the 4 screws (1) and remove the front cover assembly (2).

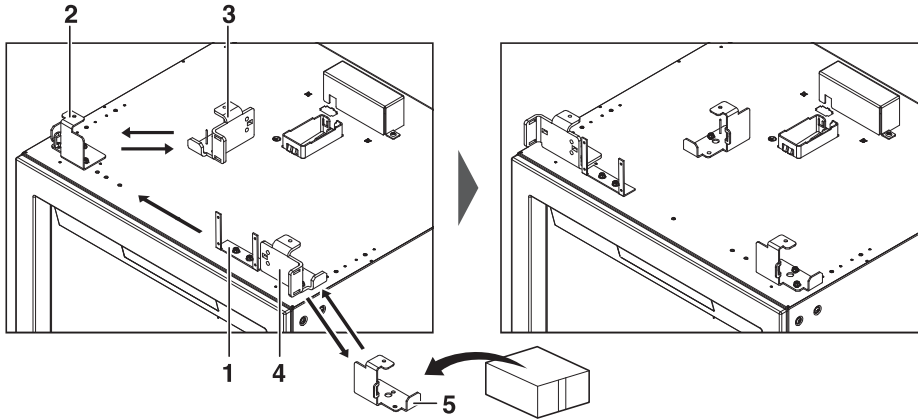
5a. (For refrigerator/freezer columns only)

Remove the bolts in the 2 front cover brackets on the top of the appliance. Swap the positions of the 2 brackets, rotating one 180 degrees, and reinstall the bolts. Remove the bolts in the filter bracket and reinstall the bracket assembly on the opposite side.

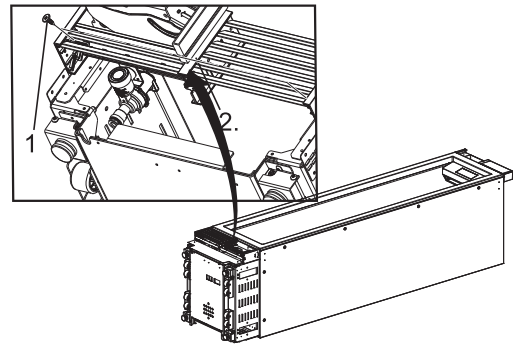


## 5b. (For wine columns only)

Remove the mounting bolts in the center front cover bracket (1) on the top of the appliance. Reinstall the bracket on the opposite side. Remove the mounting bolts in the left front cover bracket (2) and the upper hinge socket (3), swap their positions, and reinstall the bolts. Remove the mounting bolts in the upper right hinge socket (4) and replace it with the front cover bracket (5) provided in the installation accessories.

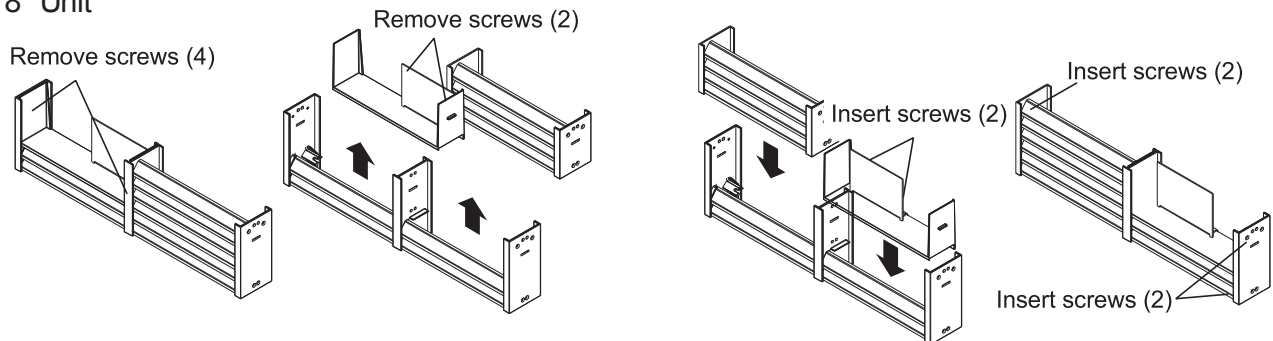


## 6. Unscrew and remove the vent cover assembly at the bottom of the appliance. (For wine columns, the vent cover assembly was removed in step 2.)

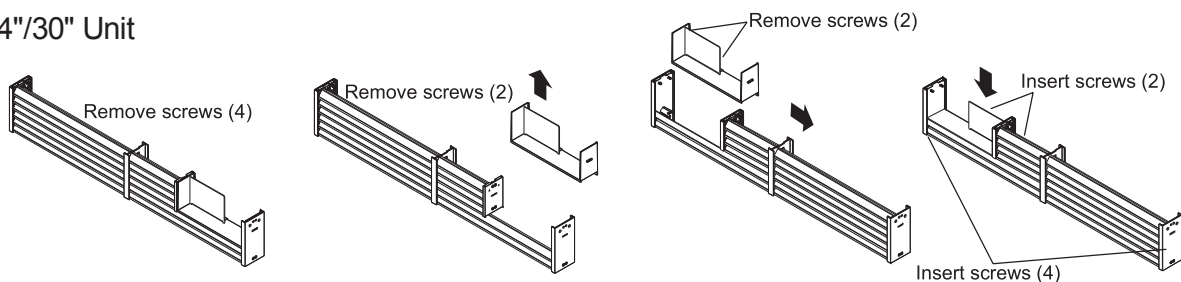


## 7. Follow the diagrams below to disassemble and reassemble the vent grille. On refrigerator/freezer columns, screw the vent cover assembly back onto the appliance. (On wine columns, the vent cover assembly is reinstalled in step 13.)

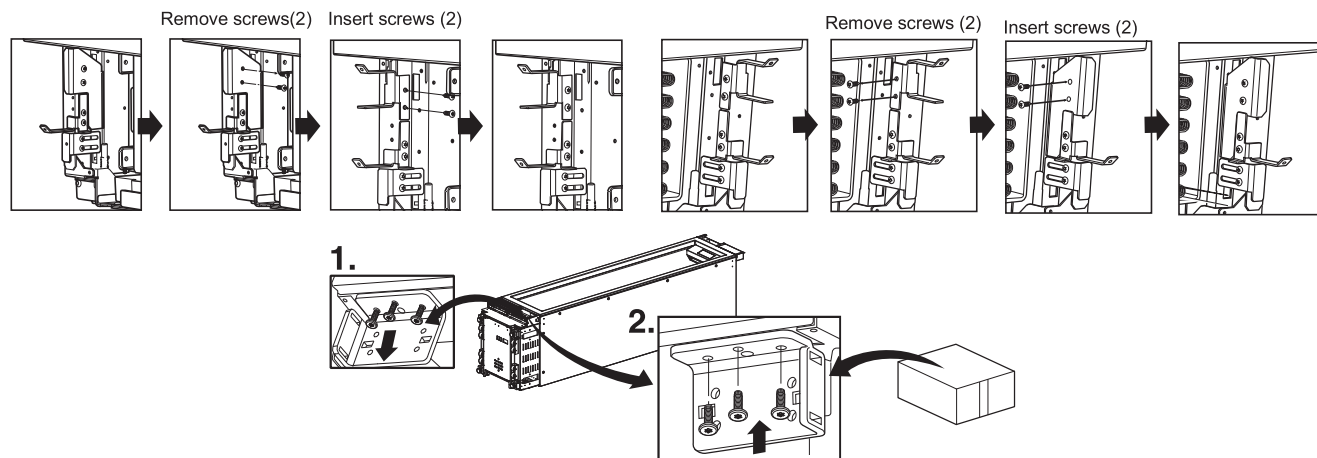
## 18" Unit



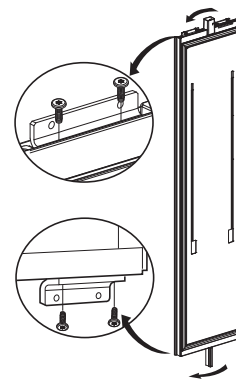
## 24"/30" Unit



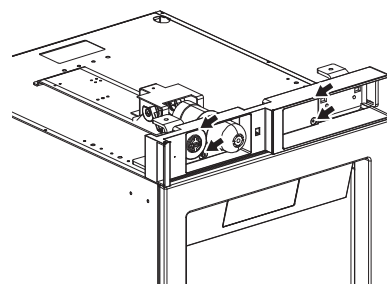
8. Remove the lower hinge socket. Install the hinge socket provided in the installation accessories on the opposite side. Keep all parts in case door is reversed in future.



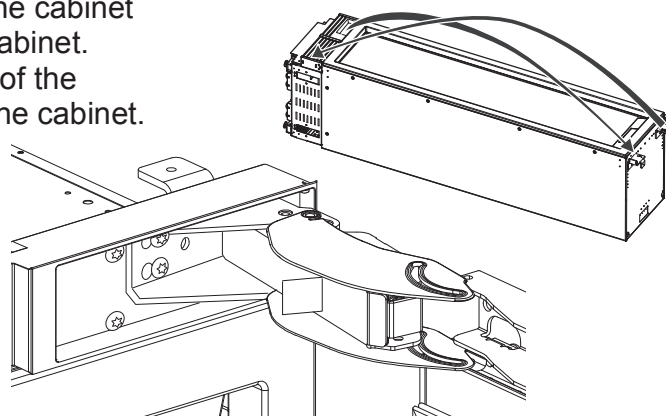
9. On the door, remove 2 bolts from the top hinge bracket and install the bracket on the opposite side of the door. Repeat with the bottom hinge bracket.



10. Rotate the front cover 180 degrees and reinstall it at the top of the cabinet.

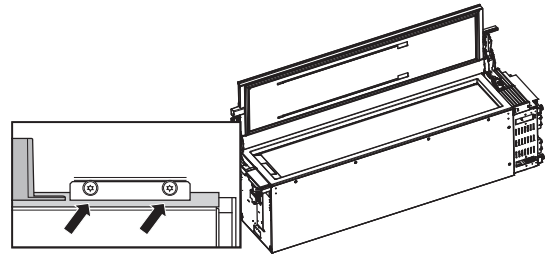


11. Install the hinge removed from the top of the cabinet on the opposite side at the bottom of the cabinet. Install the hinge removed from the bottom of the cabinet on the opposite side at the top of the cabinet.

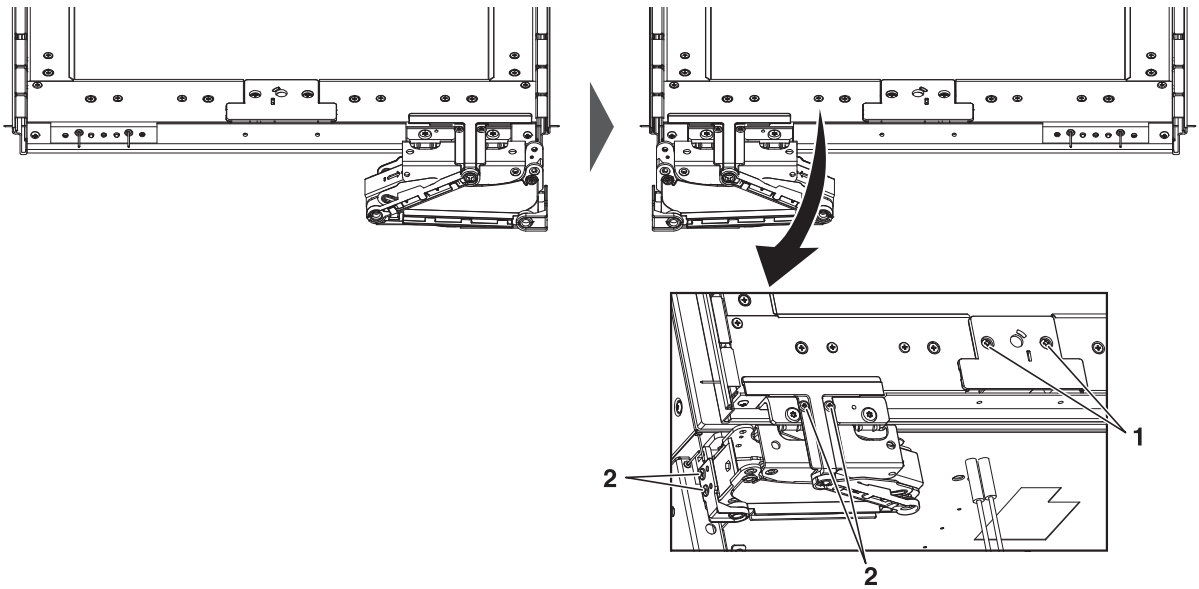




12. Insert 2 bolts at the top and bottom of the door to reattach the door.

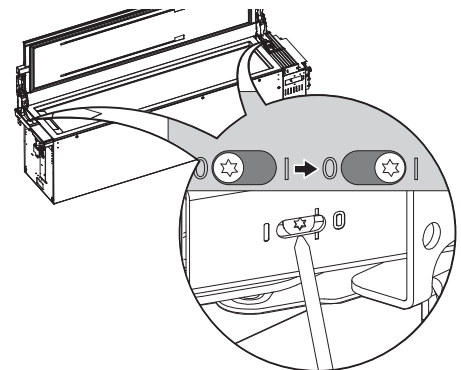


13. (For wine columns only)  
Reattach the PCB cover (1) with 2 screws. Use 4 screws to install the link on the hinge (2) at the opposite side from which it was removed. Reinstall the vent cover assembly reassembled in step 7.



14. Reset the tension on the hinge spring by using the T20 bit provided to turn the tension screw from O to |.

15. Stand the product upright. The power cord can be connected, but wait 24 hours before turning on the power.



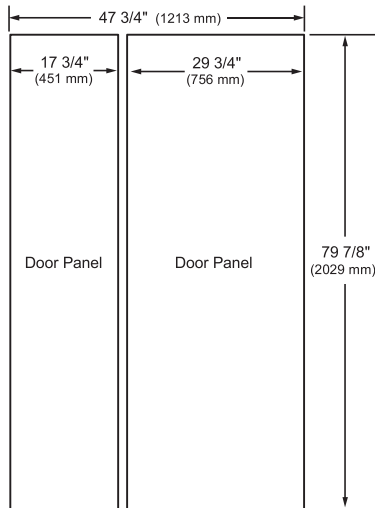


## Side-by-Side Flush Installation

### FLUSH INSTALLATION CLEARANCES

**NOTE:** When installing products with a partition between them, follow the standard installation. The minimum size of the partition is 6" (15.2 cm) to avoid interference between the doors.

DUAL 18" AND 30" COLUMN  
(See custom panel pages for more configurations.)



**NOTE:**

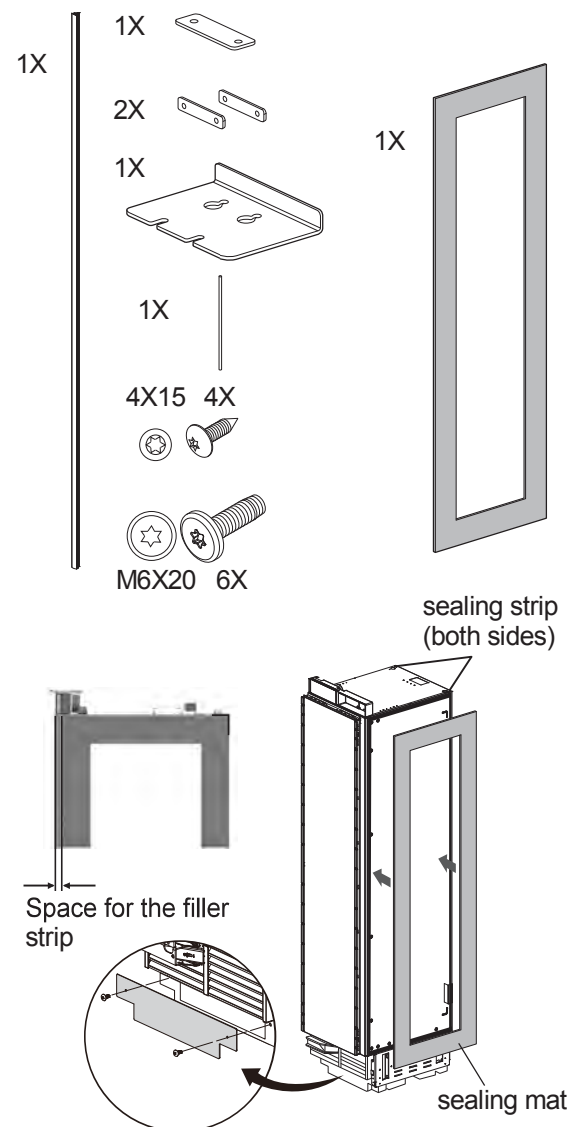
When installing 2 side-by-side products with one left and one right door swing, 1/16" (2 mm) clearance is required between the products. This applies to both new installations and retrofit installations.

In a side-by-side flush installation, a unification kit must be used to seal the appliances together. A unification kit is included with all column freezers. The kit contains a sealing mat which helps prevent condensation from forming between the two appliances.

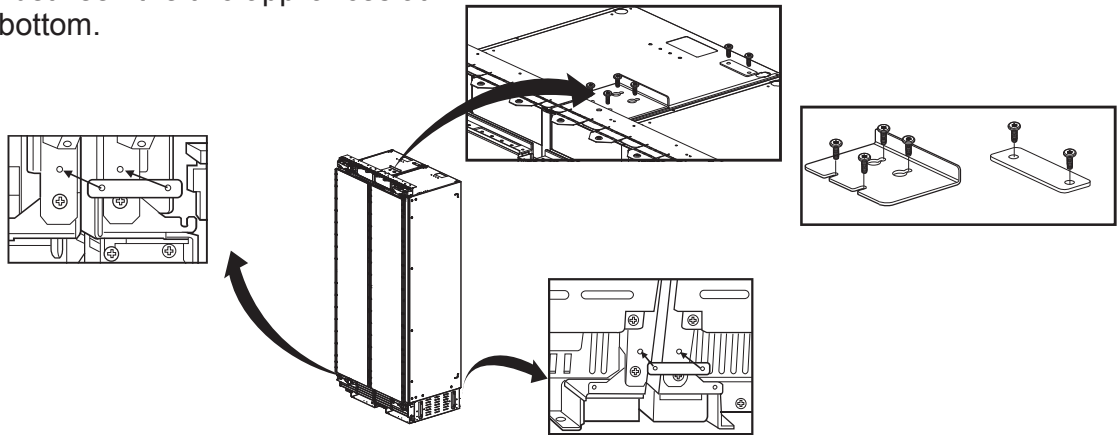
1. Unpack the unification kit and make sure no accessories are missing.
2. Place appliances near to each other in the intended installation configuration.
3. Remove the base panels from both appliances.
4. Attach the included sealing mat on the side of the freezer that faces the refrigerator. (The sealing mat should be between the two appliances after they are connected.)

Install the gray sealing mat over the preinstalled black sealing strips so that the edge of the mat is flush with the back edge of the freezer. This will leave a small space free at the front edge to fit the filler strip between the two appliances.

Additional unification kits can be purchased from Signature Kitchen Suite (part number SKSFJ800P).



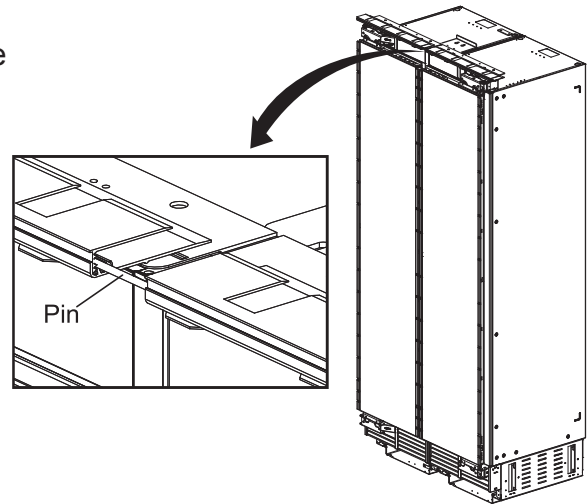
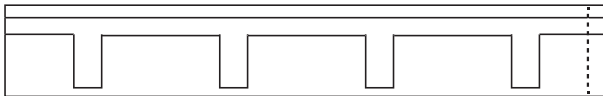
5. Place the appliances right next to each other. Attach the two appliances together by installing connection brackets between the two appliances at top and bottom.



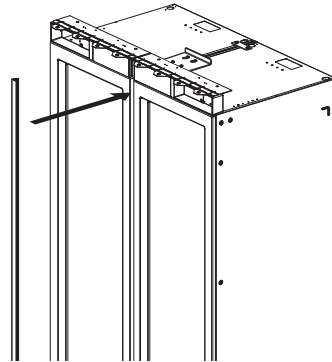
6. Insert the provided pin into both cover rails at the top of the combined units.

**NOTE:**

If retrofit installing 18" and 30" columns in a 47 1/2" wide enclosure, trim 1/4" off of one side of both cover rails.



7. Insert the filler strip in the space between the appliances. The filler strip is included with the unification kit.



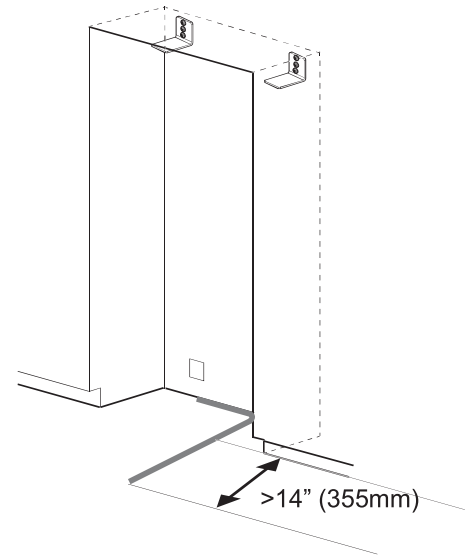
## Preparing to Connect the Water Line

### NOTE:

Turn off the main water shutoff valve to prevent flooding and property damage.

Install the water line.

Always observe the indicated dimensions to prevent damage to the water line when pushing in the appliance

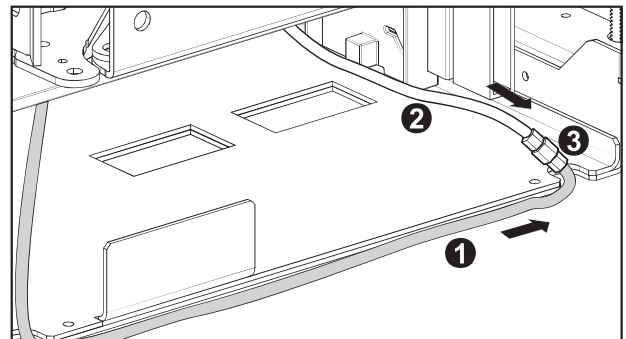
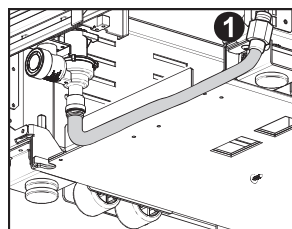
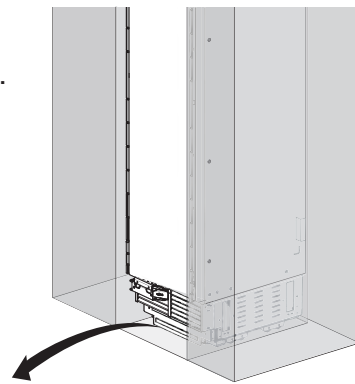


## Connecting Water Line

### NOTE:

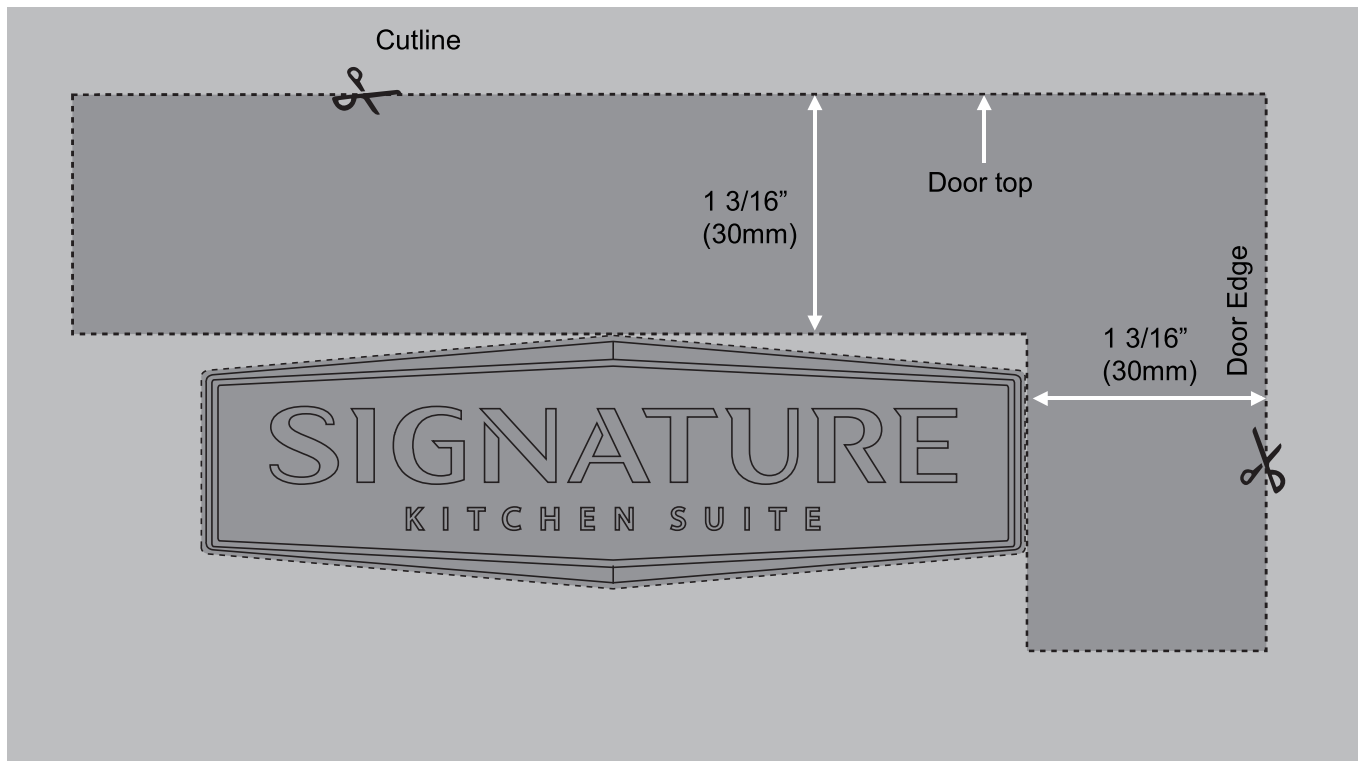
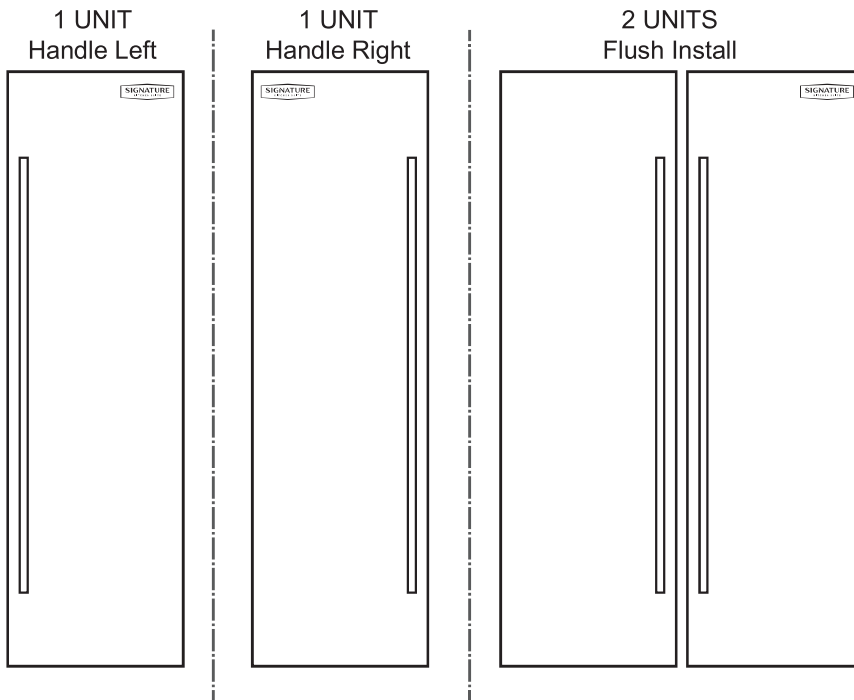
When bending the water line, do not kink it, otherwise there is a risk of leaks and water damage.

1. Remove the cap from the appliance connection (1.).
2. Bend the water line according to the location of the connection on the appliance (2.).
3. Push the union nut and seal onto the water line.
4. Push the end of the water line into the appliance connection and screw on the union nut (3.). Tighten hand-tight.
5. Using the open-ended wrench, tighten the union nut. Do not overturn.



## Attaching the Badge

- To install the badge, trace or cut out the template below and place it according to the panel layouts below.
- Align the template at the top corner nearest to the hinge and place the badge.





FRANÇAIS

# Guide d'installation du système de réfrigération intégré

## SYSTÈME DE RÉFRIGÉRATION INTÉGRÉ

SKSCF1801P  
SKSCF2401P  
SKSCF3001P  
SKSCW181RP

SKSCR2401P  
SKSCR3001P  
SKSCW241RP

[www.signaturekitchensuite.com](http://www.signaturekitchensuite.com)

Copyright © 2017 - 2018 Signature Kitchen Suite. Tous droits réservés.

# Table des matières

SAFETY INSTRUCTIONS.....	3	Installation .....	23
Before Installation .....	6	Unpacking .....	24
Choosing the Install Location .....	6	Moving the Appliance .....	25
Installation options .....	9	Special Circumstances .....	25
– Dimensions and Clearances		Product Dimensions .....	26
SKSCF1801P – 18" INTEGRATED FREEZER COLUMN		A	
SKSCW181RP – 18" INTEGRATED WINE COLUMN .....	10	Installing the Anti-tip Brackets .....	29
SKSCF2401P – 24" INTEGRATED FREEZER COLUMN		Protecting Edges of Enclosure .....	30
SKSCR2401P – 24" INTEGRATED REFRIGERATOR COLUMN		Installing Appliance in Enclosure .....	31
SKSCW241RP – 24" INTEGRATED WINE COLUMN .....	12	B	
SKSCF3001P – 30" INTEGRATED FREEZER COLUMN		Aligning and Leveling the Appliance .....	32
SKSCR3001P – 30" INTEGRATED REFRIGERATOR COLUMN .....	14	Attaching the Appliance to the Enclosure .....	34
– Custom Panels		Attaching the Toe Kick Panel .....	35
SKSCF1801P – 18" INTEGRATED FREEZER COLUMN		C	
SKSCW181RP – 18" INTEGRATED WINE COLUMN .....	16	Installing Door Panels .....	37
SKSCF2401P – 24" INTEGRATED FREEZER COLUMN		Adjusting Door Panels .....	38
SKSCR2401P – 24" INTEGRATED REFRIGERATOR COLUMN		Installing Door Trim .....	38
SKSCW241RP – 24" INTEGRATED WINE COLUMN .....	18	Attaching Air Separator .....	39
SKSCF3001P – 30" INTEGRATED FREEZER COLUMN		– Special Installations	
SKSCR3001P – 30" INTEGRATED REFRIGERATOR COLUMN .....	20	Optional Frame Kit Accessory .....	39
Required Accessories and Tools .....	22	Adjusting the Door Spring .....	40
		Adjusting the Door Stop .....	40
		Water Filter Bypass .....	40
		Reversing the Door .....	41
		Side-by-Side Flush Installation .....	45
		Preparing to Connect the Water Line .....	47
		Connecting the Water Line .....	47
		Attaching the Badge .....	48

# CONSIGNES DE SÉCURITÉ

## CONSIGNES DE SÉCURITÉ IMPORTANTES

**Ce guide contient de nombreux messages de sécurité importants.**

**Lisez et respectez toujours toutes les consignes relatives à la sécurité.**

Ceci est le symbole d'alerte de sécurité. Il vous signale les messages de sécurité qui vous informent des dangers pouvant causer la mort ou des blessures à vous ou à votre entourage ou pouvant endommager l'appareil.

Tous les messages de sécurité seront précédés du symbole d'alerte de sécurité et du terme de signalement de danger AVERTISSEMENT ou MISE EN GARDE. Ces mots signifient :



**AVERTISSEMENT**

Vous pouvez être tué ou gravement blessé si vous ne suivez pas les consignes.



**MISE EN GARDE**

Indique une situation dangereuse imminente qui, si elle n'est pas évitée, pourrait entraîner des blessures mineures ou modérées, ou endommager à l'appareil.

Tous les messages relatifs à la sécurité identifieront la nature du danger, la façon de réduire le risque de blessure et ce qui peut se produire si vous ne suivez pas les consignes.



**AVERTISSEMENT**

**RISQUE DE BASCULEMENT**

Au moins deux personnes sont nécessaires pour déplacer et installer le réfrigérateur.

Pour éviter que le réfrigérateur bascule, installez les supports anti-basculement (fournis). Le non-respect des consignes d'installation du réfrigérateur peut entraîner des blessures graves ou la mort.



**AVERTISSEMENT**

Pour réduire les risques d'incendie, de décharge électrique ou de blessures corporelles lors de l'utilisation de cet appareil, vous devez toujours suivre les précautions de sécurité de base, y compris celles qui suivent. Lisez toutes les consignes avant d'utiliser cet appareil.

### Installation

- Ces appareils ne sont pas conçus pour être utilisés de manière non encastrée. Cela risquerait d'entraîner un basculement, des blessures corporelles ou des dommages matériels.
- N'installez pas le réfrigérateur près d'un poêle au gaz, d'un chauffe-eau ou de toute autre source d'inflammation qui pourrait éventuellement laisser échapper du gaz. N'installez pas l'appareil à la lumière directe du soleil. Installez-le dans un endroit bien ventilé.
- Assurez-vous que les dimensions de l'encastrement permettent une circulation d'air suffisante sur les côtés et à l'arrière de l'appareil. N'obstruez pas l'entrée d'air à l'avant. Le non-respect de ces consignes peut entraîner un dysfonctionnement de l'appareil.
- L'encastrement doit être fait de matériaux suffisamment solides pour éviter tout dommage

au cours de l'installation et en cas d'utilisation fréquente.

- Les matériaux des armoires doivent être en mesure de résister à la chaleur et à l'humidité produites pendant le fonctionnement et l'utilisation de l'appareil, sans se tordre ni se déformer.
- Installez l'appareil sur une surface ferme et plane qui peut supporter le poids de l'appareil sans se plier. L'appareil doit être au niveau autant horizontalement que verticalement.
- Gardez les enfants éloignés de l'endroit où se déroule l'installation.
- N'utilisez pas de rallonge ou de barre d'alimentation avec cet appareil.
- N'installez pas le réfrigérateur dans un endroit humide ou dans un endroit où il serait exposé à l'eau courante. Une détérioration de l'isolement des pièces électriques pourrait survenir, entraînant un risque de décharge électrique.
- Branchez l'appareil à une source d'eau potable seulement. De l'eau non potable peut causer des problèmes de santé.
- Si vous êtes branché à un circuit protégé par des fusibles, utilisez un fusible temporisé.

## Branchement électrique

**Utilisez une prise de courant dédiée.**

- Le branchement de plusieurs appareils sur une seule prise de courant peut provoquer un incendie.

**Branchez la fiche d'alimentation en orientant le cordon d'alimentation vers le bas.**

Le non-respect de cette consigne peut endommager la fiche ou le cordon, ce qui peut entraîner un incendie ou une décharge électrique.

**Lorsque vous installez ou que vous déplacez le réfrigérateur, soyez prudent et évitez d'écraser le cordon d'alimentation ou de l'endommager. Ne coincez pas ou n'écrasez pas le cordon ou la fiche lorsque vous poussez le réfrigérateur.**

Cela pourrait entraîner un incendie ou une décharge électrique.

**Évitez de plier, d'écraser ou d'endommager le cordon d'alimentation. Ne laissez pas le cordon d'alimentation sous des objets lourds comme des meubles, d'autres appareils ou dans des endroits très passants.**

Cela pourrait endommager le cordon d'alimentation et entraîner un incendie ou une décharge électrique.

**Ne rallongez pas ou ne modifiez pas le cordon d'alimentation.**

Utilisez seulement une pièce de rechange d'origine identique pour éviter de causer des problèmes électriques, un incendie ou une décharge électrique.

**Coupez l'alimentation avant de nettoyer ou de déplacer le réfrigérateur.**

- Le non-respect de cette consigne peut entraîner une décharge électrique ou des blessures.
- Appuyez sur la touche MARCHE/ARRÊT pendant 3 secondes pour couper l'alimentation du panneau d'affichage.

**Ne débranchez pas le cordon d'alimentation et ne touchez pas à la fiche d'alimentation si vos mains sont mouillées.**

Cela peut entraîner une décharge électrique ou des blessures.

**Enlevez l'eau et la poussière de la fiche d'alimentation et insérez-la correctement dans la prise murale.**

La poussière, l'eau ou un mauvais branchement peut entraîner un incendie ou une décharge électrique.

**Ne débranchez pas le réfrigérateur en tirant sur le cordon d'alimentation.**

Cela pourrait entraîner une décharge électrique ou un court-circuit provoquant un incendie.



**N'utilisez pas le cordon d'alimentation ou la fiche d'alimentation s'ils sont endommagés ou si la prise est endommagée.**

Cela pourrait entraîner une décharge électrique ou un court-circuit provoquant un incendie.

**Attendez au moins 5 minutes lorsque vous rebranchez la fiche ou que vous rétablissez le courant.**

Donnez le temps au compresseur d'effectuer un cycle complet avant de redémarrer.

**Si le cordon d'alimentation est endommagé, il doit être remplacé par le fabricant, son agent d'entretien ou une personne ayant les mêmes compétences, et ce, afin d'éviter tout risque.**



## MISES EN GARDE

**Ne retirez pas le couvercle du distributeur de glaçons automatique.**

Le mécanisme interne de la machine à glaçons peut causer des blessures si vous le manipulez.

**Ne mettez pas vos mains sous le réfrigérateur.**

Les bords coupants, les ventilateurs et les fils peuvent causer des blessures.

**Conservez ces consignes afin que l'inspecteur local puisse les consulter.**

**Respectez tous les codes et règlements en vigueur.**

**Installateur : Remettez ce feuillet de consignes au propriétaire.**

**Propriétaire : Gardez ce feuillet de consignes avec le manuel d'utilisation à des fins de consultation ultérieure.**

## Général

Ces consignes d'installation sont destinées à des installateurs qualifiés. Tous les branchements et les raccordements pour l'eau, l'alimentation électrique et la mise à la terre doivent être conformes aux codes et aux règlements locaux et être faits par un personnel autorisé en cas de besoin. En l'absence d'un code local :

- Aux États-Unis, conformément au National Electric Code, ANSI/NFPA70 (dernière édition) – Codes étatiques et municipaux ou codes locaux.
- Au Canada, conformément à la norme C22.1 du Code canadien de l'électricité (dernière édition) – Codes provinciaux et municipaux ou codes locaux.

L'appareil est très lourd :

Le réfrigérateur de 30 po pèse environ 386 lb/175 kg.

Le réfrigérateur de 24 po pèse environ 324 lb/147 kg.

Le congélateur de 30 po pèse environ 403 lb/183 kg.

Le congélateur de 24 po pèse environ 346 lb/157 kg.

Le congélateur de 18 po pèse environ 304 lb/138 kg.

Le refroidisseur à vin de 18 po pèse environ 306 lb/139 kg.

Le refroidisseur à vin de 24 po pèse environ 357 lb/162 kg.

# Avant l'installation

## AVERTISSEMENT

N'entreposez pas ou n'installez pas l'appareil dans un endroit où il serait exposé :

- aux intempéries
- aux dégâts d'eau
- à des températures inférieures à 32 °F (0 °C).

## Choix de l'emplacement d'installation

### Température et humidité

L'appareil doit être installé dans un endroit sec et bien ventilé.

La température ambiante doit se situer entre 55 °F (13 °C) et 110 °F (43 °C), afin d'éviter les dysfonctionnements.

N'installez pas l'appareil à un endroit où il sera exposé à la lumière directe du soleil ou près d'une source de chaleur, comme un four ou un radiateur.

## Dispositifs anti-basculement

### AVERTISSEMENT : Risque de basculement

- L'appareil est très lourd et peut basculer si la porte est ouverte avant que l'appareil soit correctement installé.
- Installez les supports anti-basculement fournis pour empêcher l'appareil de basculer. La méthode la plus sécuritaire pour installer l'appareil dans une position stable est d'utiliser les dispositifs anti-basculement fournis.
- N'ouvrez pas la porte de l'appareil à moins qu'il soit encore sur la palette ou que les supports anti-basculement soient enclenchés.

Si l'encastrement est suffisamment robuste, la fixation de l'appareil aux parois supérieures et latérales de l'encastrement peut fournir une stabilité supplémentaire, à condition que l'encastrement soit bien fixé à la paroi arrière. En cas de doute, contactez un architecte ou un ingénieur en structures.

## Encastrement

- Le panneau au-dessus de l'appareil doit être fait d'un matériau solide (pas un panneau MDF) d'au moins 5/8 po (16 mm) d'épaisseur.
- Les parois latérales de la cavité ou de l'encastrement doivent être alignées.
- Un espace de 4 pouces (100 mm) à l'avant de la surface intérieure (retour de meubles) sera visible lorsque les portes seront ouvertes. Assurez-vous que cette zone est finie jusqu'à au moins 4 pouces de profondeur.
- Pour vous garantir une installation sans problème, suivez les consignes pour installer l'appareil dans l'encastrement.
- Il est très important que l'encastrement ne soit pas hors d'équerre. Utilisez un niveau à bulle ou mesurez les diagonales de l'ouverture pour vous assurer que les coins sont carrés.
- L'appareil est fixé sur les côtés et le dessus de l'encastrement ou des armoires adjacentes. Assurez-vous que l'encastrement ou les armoires adjacentes sont adéquatement fixés au plancher ou au mur.

## Plancher

### AVERTISSEMENTS

- Le plancher de la zone d'installation doit être ferme, droit et rigide pour assurer une installation sécuritaire et un rendement optimal.
- N'installez pas l'appareil sur une plateforme ou une structure surélevée.
- La structure en dessous de l'appareil doit pouvoir supporter le poids de l'appareil sans basculer ni fléchir.
- Pour un rendement optimal et afin d'éviter les fuites, mettez l'appareil à niveau.

## Exigences électriques

### AVERTISSEMENTS

#### Risque de décharge électrique

- Branchez l'appareil sur une prise à trois trous mise à la terre.
- N'enlevez pas la broche de mise à la terre.
- N'utilisez pas d'adaptateur.
- N'utilisez pas de rallonge.

Le non-respect de ces consignes peut entraîner la mort, un incendie ou une décharge électrique.

Respectez tous les codes étatiques et locaux ou le NEC.

L'appareil est doté d'un cordon d'alimentation à trois fils certifié UL.

L'appareil nécessite une prise à trois fils.

La prise doit être installée par un électricien autorisé seulement.

## Mise à la terre

Cet appareil doit être mis à la terre. En cas de dysfonctionnement ou de panne, la mise à la terre réduira le risque de décharge électrique en fournissant au courant électrique un chemin de moindre résistance.

**AVERTISSEMENT :** Un raccordement incorrect du conducteur de mise à la terre de l'appareil peut entraîner une décharge électrique. Faites vérifier l'appareil par un électricien ou un technicien d'entretien qualifié si vous avez un doute à savoir si l'appareil est correctement mis à la terre.

### REMARQUE

Certaines réglementations locales peuvent exiger une mise à la terre séparée. Dans de tels cas, le fil, le collier et la vis de mise à la terre sont vendus séparément sous forme d'accessoire.

Ne mettez jamais l'appareil à la terre en utilisant des conduites de plomberie en plastique, des conduites de gaz ou des canalisations d'eau.

## Raccordement d'eau



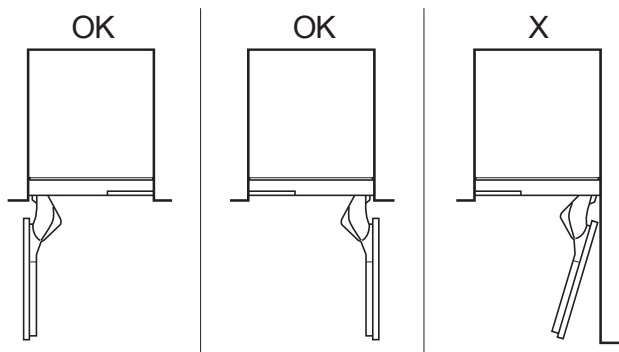
### MISES EN GARDE

- Raccordez l'appareil à une source d'eau potable seulement.
- Un raccordement à l'eau froide est nécessaire pour le fonctionnement de la machine à glaçons automatique. La pression de l'eau doit se situer entre 20 et 120 psi. (1,38 à 8,27 bars).
- L'installation doit être conforme aux règlements locaux régissant la plomberie.
- Une vanne d'arrêt distincte doit être installée pour le raccordement d'eau de l'appareil.
- N'utilisez pas une vanne à perçage automatique.
- N'installez pas la vanne d'arrêt de l'eau derrière l'appareil. La vanne d'arrêt doit être facilement accessible.
- Installez le raccordement d'eau dans la zone indiquée dans le diagramme Dimensions et dégagements. La conduite d'alimentation en eau peut être située sur le côté droit, sur le côté gauche, ou dans le plancher. Le diamètre extérieur maximum de la conduite d'alimentation (sans raccords) est de 3/8 po (9,5 mm).

# Options d'installation

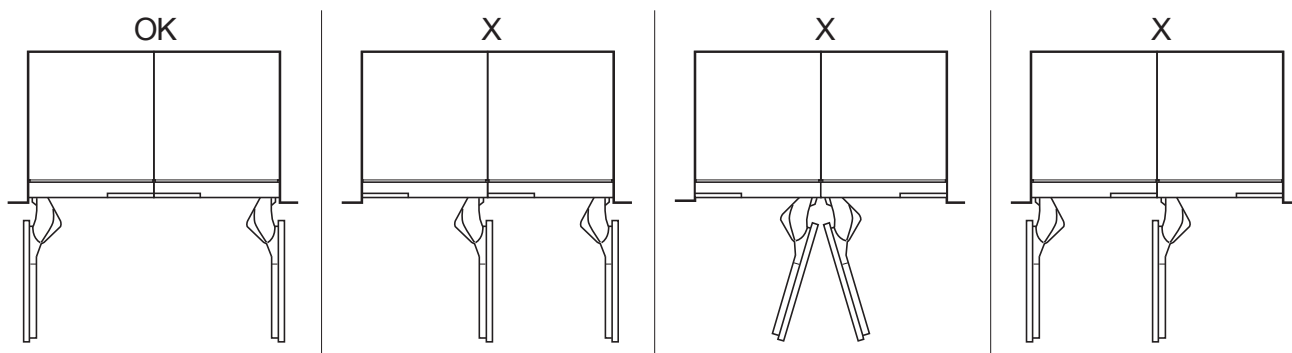
Il existe de nombreuses options d'installation. Celles-ci ne sont limitées que par la conception de la cuisine.

## Appareil individuel



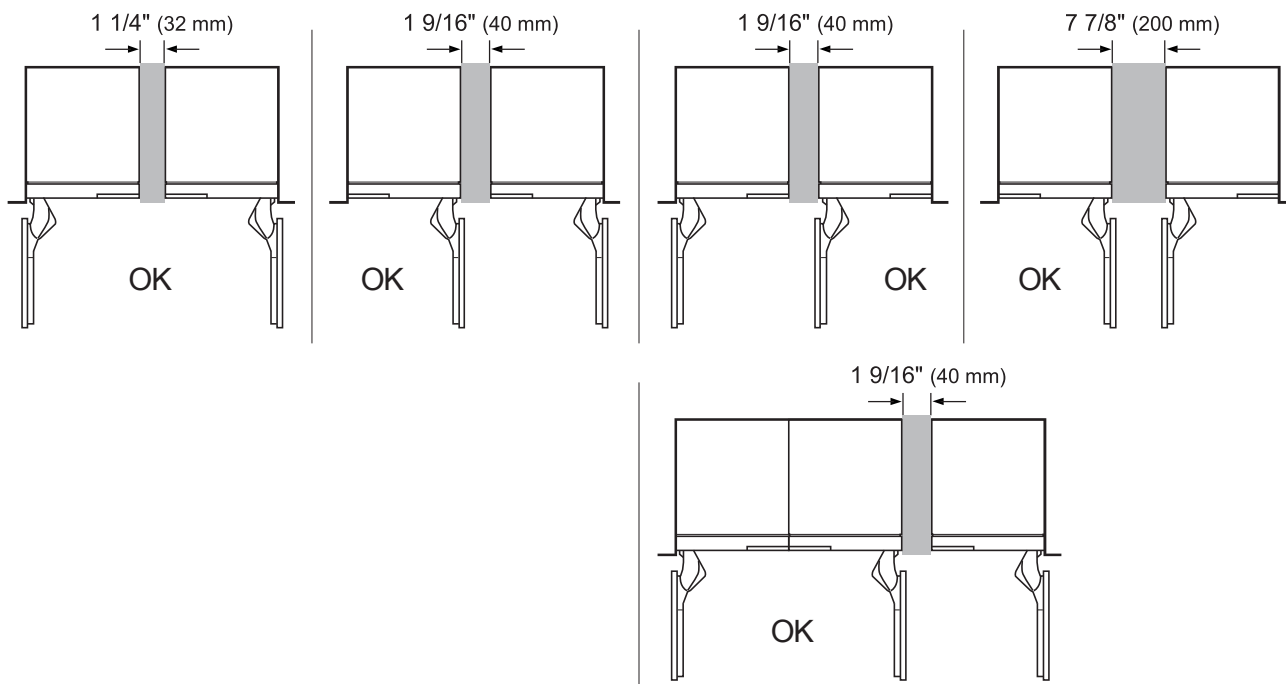
FRANÇAIS

## Côte à côte (paire)



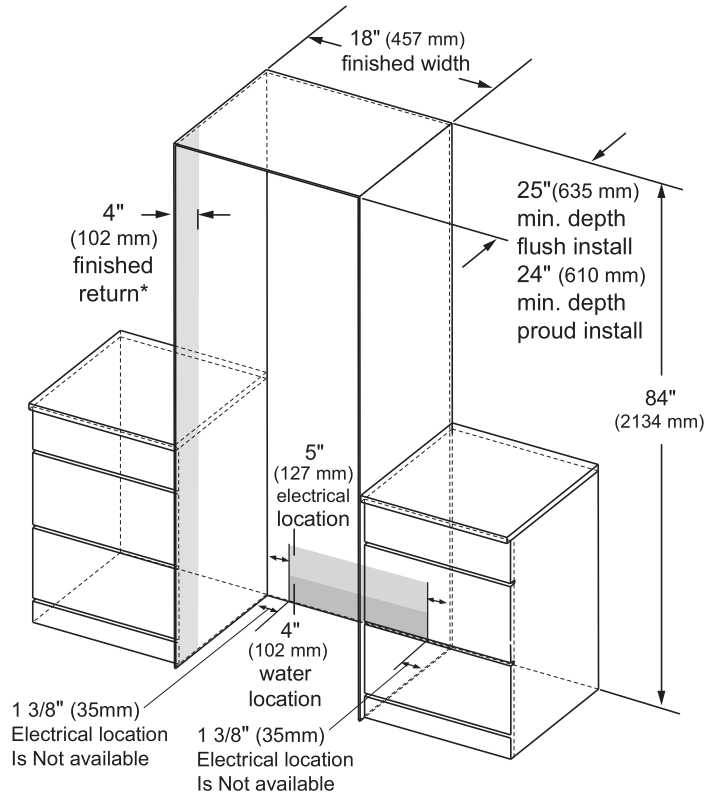
## Appareils individuels avec cloison

L'épaisseur minimale de la cloison est de 5/8 po (16 mm).



## SKSCF1801P – CONGÉLATEUR INTÉGRÉ EN COLONNE DE 18 PO SKSCW181RP – REFROIDISSEUR À VIN EN COLONNE DE 18 PO

### DIMENSIONS DE DÉCOUPE – INSTALLATION ENCASTRÉE OU PROÉMINENTE, COLONNE UNIQUE



#### REMARQUES

Le congélateur/réfrigérateur peut être installé de manière encastrée ou proéminente.

Encastrée – Avec une profondeur de découpe de 25 po (635 mm), la face avant du congélateur/refroidisseur à vin vertical s'encastre avec les armoires adjacentes de 25 po (635 mm) de profondeur.  
Proéminente – Avec une profondeur de découpe de 24 po (610 mm), la face avant du congélateur/refroidisseur à vin vertical dépasse d'environ 3/4 po (19 mm) des armoires adjacentes ayant une profondeur de 24 po (610 mm).

- Un retour fini d'au moins 4 po (102 mm) correspondant à l'extérieur de l'armoire est recommandé sur tous les côtés et le haut de l'ouverture de découpe. La zone ombragée sera visible après l'installation.

#### INSTALLATION ÉLECTRIQUE

Une alimentation électrique de 115 V, 60 Hz et 15 ou 20 A est nécessaire. Un circuit de dérivation ou un disjoncteur correctement mis à la terre est recommandé. Installez une prise de courant à trois trous encastrée dans le mur du fond. L'installation électrique doit être située sur la paroi arrière, comme il est illustré.

Remarque : L'utilisation d'un DDFT (disjoncteur différentiel de fuite à la terre) n'est pas recommandée.

#### CONDUITE D'EAU

Un approvisionnement en eau froide est nécessaire pour le fonctionnement de la machine à glaçons automatique.

La pression de l'eau doit se situer entre 20 et 120 psi.

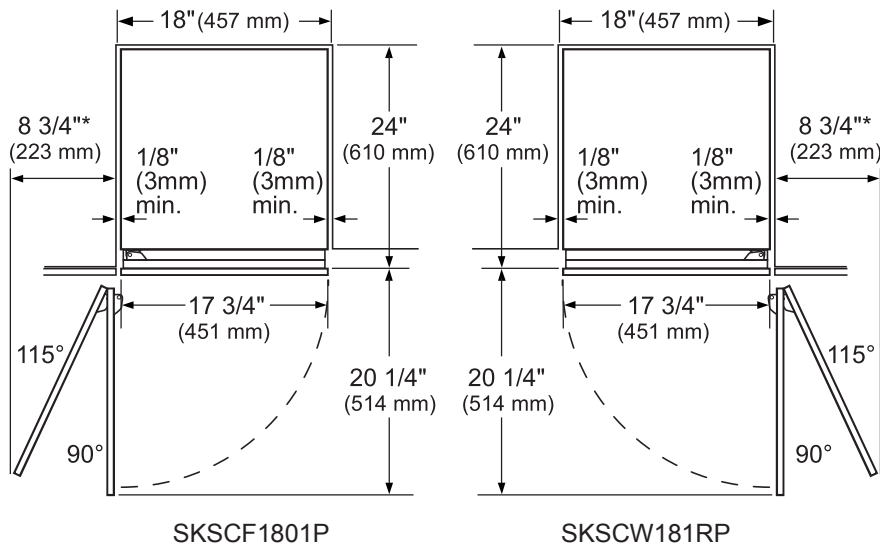
Les tuyaux doivent être suffisamment longs pour s'étendre jusqu'à l'avant du congélateur. Utilisez suffisamment de tuyaux pour permettre l'ajout d'un coude menant au raccordement de la conduite d'eau.

La conduite d'eau peut passer par une ouverture dans le plancher ou par le mur arrière.

Installez une vanne d'arrêt entre la vanne d'eau de la machine à glaçons et l'alimentation en eau froide de la maison.

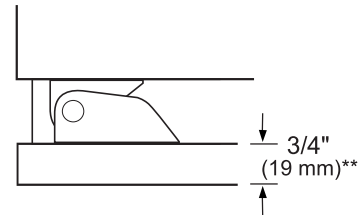
## DÉGAGEMENTS POUR L'INSTALLATION

### TOP VIEW



\*Door handle must be added to this dimension.

\*\*Varies depending on the thickness of the custom cabinet panel. The door panels in the optional Signature Kitchen Suite stainless steel door panel kit are 3/4" (19 mm) thick.



### REMARQUES

#### Dégagements pour l'ouverture de la porte

L'installation doit prévoir des dégagements pour les murs adjacents ou les armoires. Ce congélateur/refroidisseur à vin en colonne est doté d'une butée de porte à deux positions.

L'ouverture de porte à 115° réglée en usine peut être réglée à 90° si le dégagement entre l'appareil et les armoires ou les murs adjacents est limité.

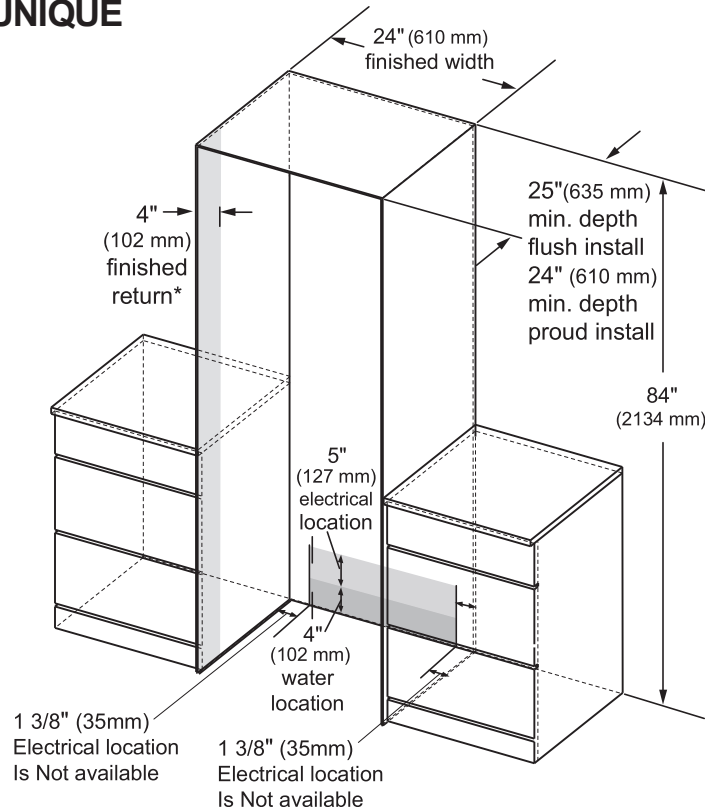
#### Dégagements de la poignée de porte

La profondeur de la poignée de porte doit être ajoutée à la dimension de l'appareil à l'endroit indiqué afin de déterminer les dégagements totaux nécessaires pour les armoires ou les murs adjacents.

Ce dégagement peut varier selon la poignée personnalisée utilisée. Si vous utilisez les poignées offertes par Signature Kitchen Suite ou l'ensemble de panneau de porte en acier inoxydable de Signature Kitchen Suite comprenant des poignées (accessoires offerts en option), le dégagement de la poignée de porte lorsque la porte est ouverte à 115° est de 11 po (279 mm).

SKSCF2401P – CONGÉLATEUR INTÉGRÉ EN COLONNE DE 24 PO  
 SKSCR2401P – RÉFRIGÉRATEUR INTÉGRÉ EN COLONNE DE 24 PO  
 SKSCW241RP – REFROIDISSEUR À VIN EN COLONNE DE 24 PO

**DIMENSIONS DE DÉCOUPE – INSTALLATION ENCASTRÉE OU PROÉMINENTE, COLONNE UNIQUE**



**REMARQUES**

Le congélateur/réfrigérateur peut être installé de manière encastrée ou proéminente.

Encastrée – Avec une profondeur de découpe de 25 po (635 mm), la face avant du congélateur/refroidisseur à vin vertical s'encastre avec les armoires adjacentes de 25 po (635 mm) de profondeur.

Proéminente – Avec une profondeur de découpe de 24 po (610 mm), la face avant du congélateur/refroidisseur à vin vertical dépasse d'environ 3/4 po (19 mm) des armoires adjacentes ayant une profondeur de 24 po (610 mm).

- Un retour fini d'au moins 4 po (102 mm) correspondant à l'extérieur de l'armoire est recommandé sur tous les côtés et le haut de l'ouverture de découpe. La zone ombragée sera visible après l'installation.

**INSTALLATION ÉLECTRIQUE**

Une alimentation électrique de 115 V, 60 Hz et 15 ou 20 A est nécessaire. Un circuit de dérivation ou un disjoncteur correctement mis à la terre est recommandé. Installez une prise de courant à trois trous encastrée dans le mur du fond. L'installation électrique doit être située sur la paroi arrière, comme il est illustré.

Remarque : L'utilisation d'un DDFT (disjoncteur différentiel de fuite à la terre) n'est pas recommandée.

**CONDUITE D'EAU**

Un approvisionnement en eau froide est nécessaire pour le fonctionnement de la machine à glaçons automatique.

La pression de l'eau doit être comprise entre 20 et 120 psi.

Les tuyaux doivent être suffisamment longs pour s'étendre jusqu'à l'avant du congélateur. Utilisez suffisamment de tuyaux pour permettre l'ajout d'un coude menant au raccordement de la conduite d'eau.

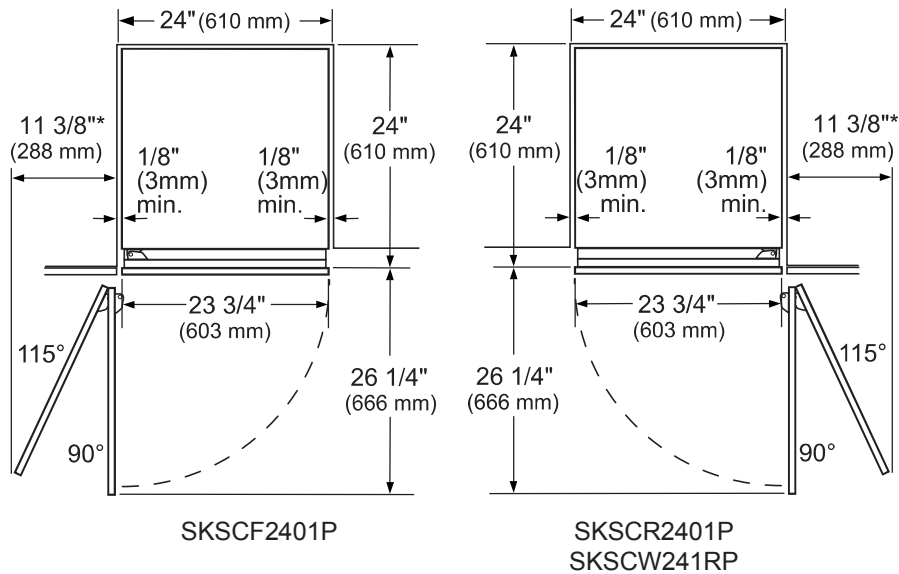
La conduite d'eau peut passer par une ouverture dans le plancher ou par le mur arrière

Installez une vanne d'arrêt entre la vanne d'eau de la machine à glaçons et l'alimentation en eau froide de la maison.



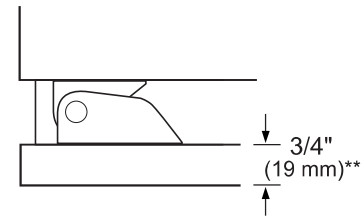
## DÉGAGEMENTS POUR L'INSTALLATION

### TOP VIEW



\*Door handle must be added to this dimension.

\*\*Varies depending on the thickness of the custom cabinet panel. The door panels in the optional Signature Kitchen Suite stainless steel door panel kit are 3/4" (19 mm) thick.



FRANÇAIS

### REMARQUES

#### Dégagements pour l'ouverture de la porte

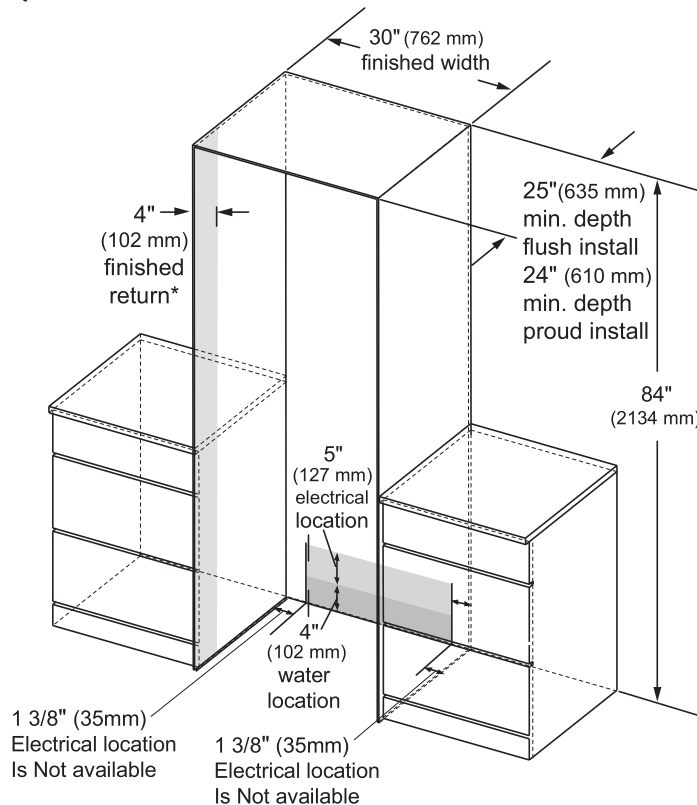
- L'installation doit prévoir des dégagements pour les murs adjacents ou les armoires. Les appareils sont dotés de butées de porte à deux positions.
- L'ouverture de porte à 115° réglée en usine peut être réglée à 90° si le dégagement entre l'appareil et les armoires ou les murs adjacents est limité.

#### Dégagements de la poignée de porte

La profondeur de la poignée de porte doit être ajoutée à la dimension de l'appareil à l'endroit indiqué afin de déterminer les dégagements totaux nécessaires pour les armoires ou les murs adjacents. Ce dégagement peut varier selon la poignée personnalisée utilisée. Si vous utilisez les poignées offertes par Signature Kitchen Suite ou l'ensemble de panneau de porte en acier inoxydable de Signature Kitchen Suite comprenant des poignées (accessoires offerts en option), le dégagement de la poignée de porte lorsque la porte est ouverte à 115° est de 14 po (356 mm).

## SKSCF3001P – CONGÉLATEUR INTÉGRÉ EN COLONNE DE 30 PO SKSCR3001P – RÉFRIGÉRATEUR INTÉGRÉ EN COLONNE DE 30 PO

### DIMENSIONS DE DÉCOUPE – INSTALLATION ENCASTRÉE OU PROÉMINENTE, COLONNE UNIQUE



#### REMARQUES

Le congélateur/réfrigérateur peut être installé de manière encastrée ou proéminente.

Encastrée – Avec une profondeur de découpe de 25 po (635 mm), la face avant du réfrigérateur s'encastre avec les armoires adjacentes de 25 po (635 mm) de profondeur.

Proéminente – Avec une profondeur de découpe de 24 po (610 mm), la face avant du réfrigérateur dépasse d'environ 3/4 po (19 mm) des armoires adjacentes ayant une profondeur de 24 po (610 mm).

\*Un retour fini d'au moins 4 po (102 mm) correspondant à l'extérieur de l'armoire est recommandé sur tous les côtés et le haut de l'ouverture de découpe. La zone ombragée sera visible après l'installation.

#### INSTALLATION ÉLECTRIQUE

Une alimentation électrique de 115 V, 60 Hz et 15 ou 20 A est nécessaire. Un circuit de dérivation ou un disjoncteur correctement mis à la terre est recommandé. Installez une prise de courant à trois trous encastrée dans le mur du fond. L'installation électrique doit être située sur la paroi arrière, comme il est illustré.

Remarque : L'utilisation d'un DDFT (disjoncteur différentiel de fuite à la terre) n'est pas recommandée.

#### CONDUITE D'EAU

La pression de l'eau doit se situer entre 20 et 120 psi.

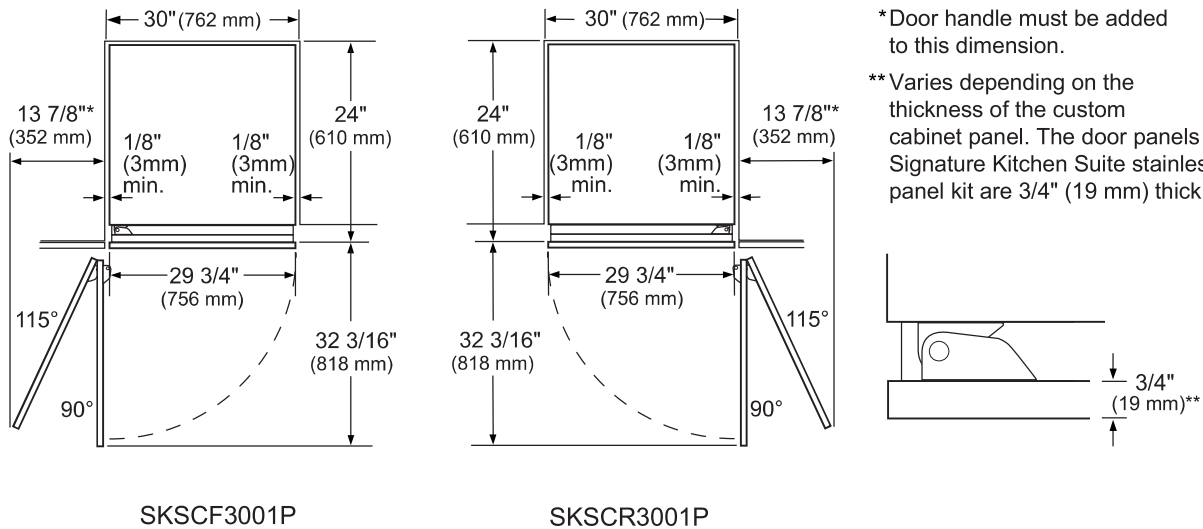
Les tuyaux doivent être suffisamment longs pour s'étendre jusqu'à l'avant du réfrigérateur. Utilisez suffisamment de tuyaux pour permettre l'ajout d'un coude menant au raccordement de la conduite d'eau.

La conduite d'eau peut passer par une ouverture dans le plancher ou par le mur arrière.

Installez une vanne d'arrêt entre la vanne d'eau et l'alimentation en eau froide de la maison.

## DÉGAGEMENTS POUR L'INSTALLATION

### TOP VIEW



\* Door handle must be added to this dimension.

\*\*Varies depending on the thickness of the custom cabinet panel. The door panels in the optional Signature Kitchen Suite stainless steel door panel kit are 3/4" (19 mm) thick.

FRANÇAIS

### REMARQUES

#### Dégagements pour l'ouverture de la porte

L'installation doit prévoir des dégagements pour les murs adjacents ou les armoires. Ce congélateur/réfrigérateur en colonne est doté d'une butée de porte à deux positions. L'ouverture de porte à 115° réglée en usine peut être réglée à 90° si le dégagement entre l'appareil et les armoires ou les murs adjacents est limité.

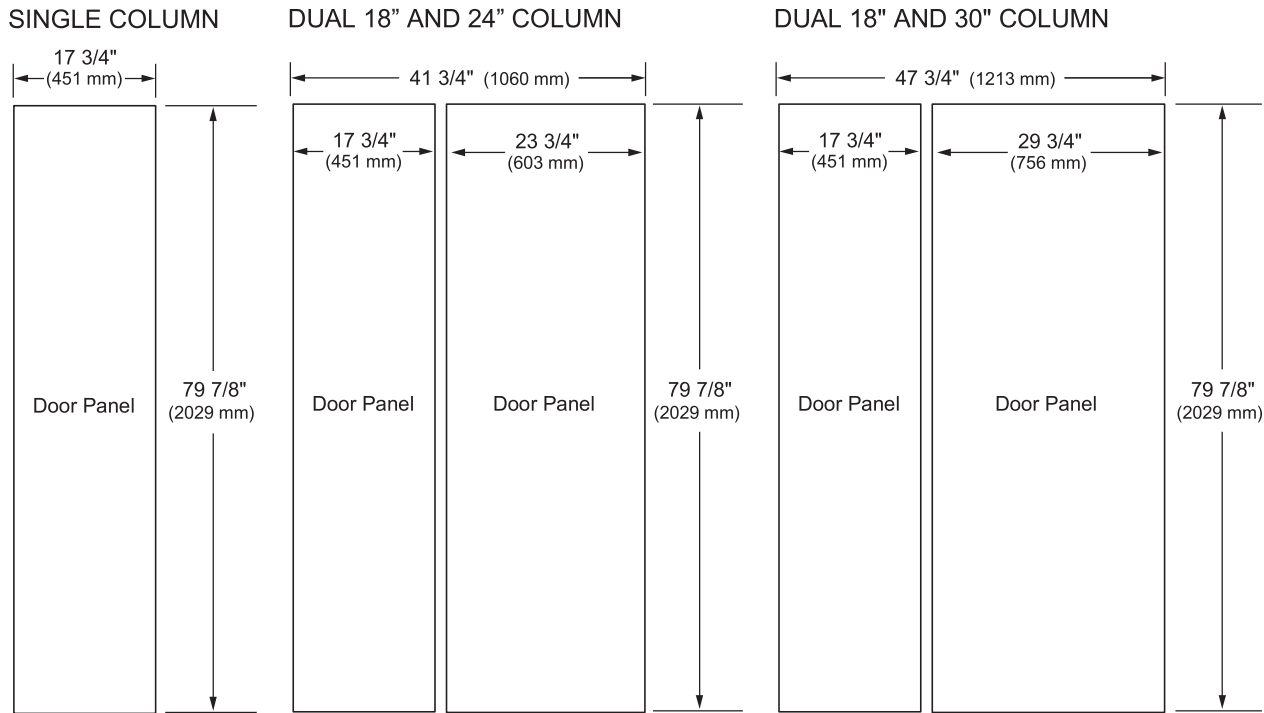
#### Dégagements de la poignée de porte

La profondeur de la poignée de porte doit être ajoutée à la dimension de l'appareil à l'endroit indiqué afin de déterminer les dégagements totaux nécessaires pour les armoires ou les murs adjacents. Ce dégagement peut varier selon la poignée personnalisée utilisée. Si vous utilisez les poignées offertes par Signature Kitchen Suite ou l'ensemble de panneau de porte en acier inoxydable de Signature Kitchen Suite comprenant des poignées (accessoires offerts en option), le dégagement de la poignée de porte lorsque la porte est ouverte à 115° est de 16 po (406 mm).

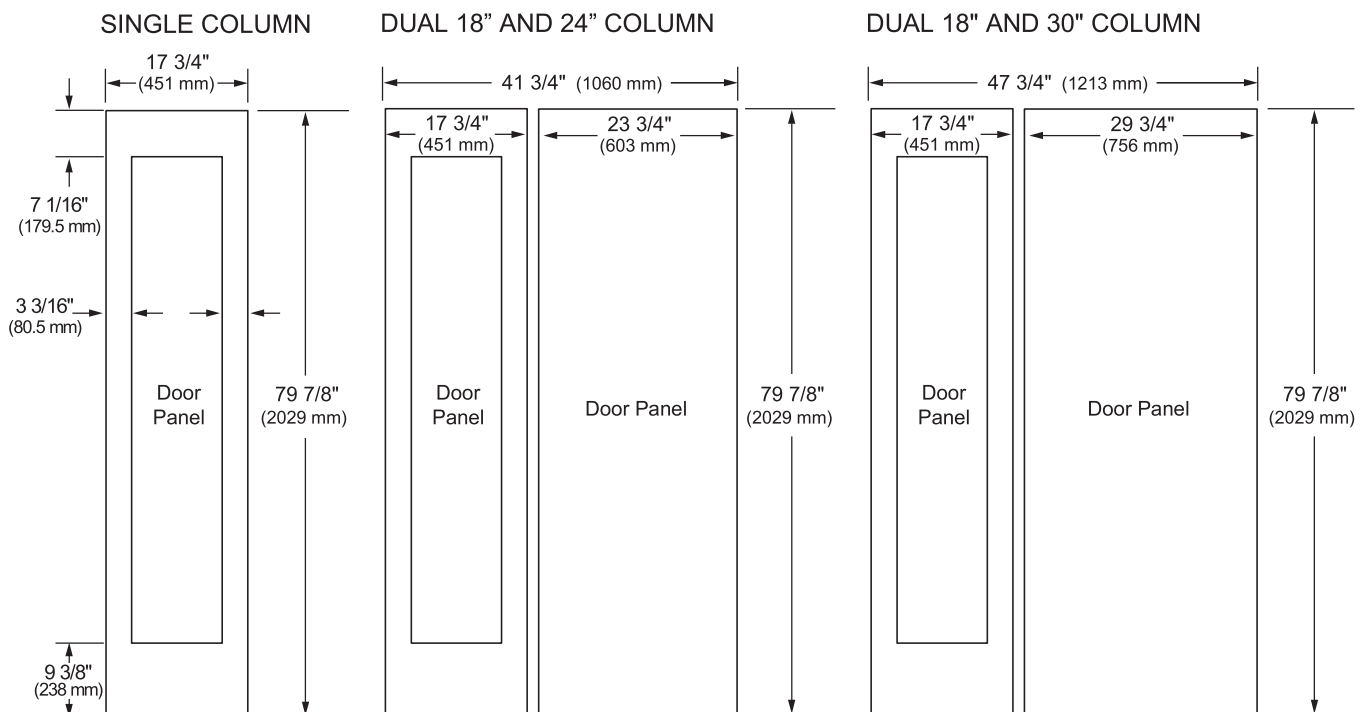
# SKSCF1801P – CONGÉLATEUR INTÉGRÉ EN COLONNE DE 18 PO SKSCW181RP – REFROIDISSEUR À VIN EN COLONNE DE 18 PO

## DIMENSIONS DU PANNEAU PERSONNALISÉ DE 3/4 PO (19 MM) – INSTALLATION ENCASTRÉE

### Congélateur/réfrigérateur en colonne



### Refroidisseur à vin en colonne



## REMARQUES

Les appareils sont conçus pour être personnalisés à l'aide de panneaux décoratifs. Des panneaux de porte personnalisés installés sur place de 3/4 po (19 mm) sont requis.

Pour les panneaux personnalisés : Utilisez les gabarits fournis avec les appareils pour prépercer les trous des supports de montage des panneaux (fournis avec l'appareil). Les vis de réglage et les consignes sont également fournies avec les appareils.

Le poids total maximum du panneau de porte pour la colonne de 30 po est de 64 lb.

Le poids total maximum du panneau de porte pour la colonne de 24 po est de 53 lb.

Le poids total maximum du panneau de porte pour la colonne de 18 po est de 44 lb.

## CONSEILS DE CONCEPTION

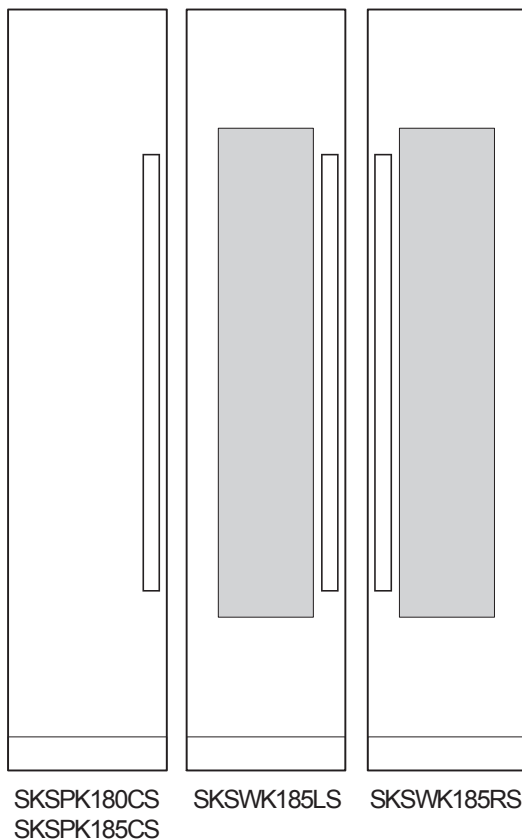
Un espace de 4 po (102 mm) sera visible sur les parois intérieures de la découpe. Il est recommandé que la surface intérieure de l'encastrement soit finie de manière à correspondre à la surface extérieure. Pour les installations après-coup ou de remplacement, l'ensemble de cadre offert en option peut être utilisé.

Si vous utilisez des panneaux personnalisés, un coup-de-pied personnalisé est requis. La partie inférieure de l'encastrement n'est pas finie.

Poignées de porte : Les poignées ne sont pas incluses avec les appareils.

Des poignées personnalisées sont requises pour l'installation. Des poignées en aluminium brossé sont offertes en option.

## ACCESSOIRES EN OPTION – INSTALLATION ENCASTRÉE OU PROÉMINENTE



SKSPK180CS/SKSPK185CS – ENSEMBLE DE PANNEAU EN ACIER INOXYDABLE POUR LE CONGÉLATEUR EN COLONNE DE 18 PO

SKSWK185RS/SKSWK185LS – ENSEMBLE DE PANNEAU EN ACIER INOXYDABLE POUR LE REFROIDISSEUR À VIN EN COLONNE DE 18 PO

Cet appareil peut être installé en utilisant un ensemble de panneau en acier inoxydable offert en option. L'ensemble pour le congélateur en colonne est réversible et peut être utilisé pour que la porte s'ouvre vers la gauche ou vers la droite. Les ensembles de panneaux pour les refroidisseurs à vin en colonne ne sont pas réversibles.

SKSFK800CS – ENSEMBLE DE CADRE

Cet appareil peut être installé dans une découpe de 24 po (610 mm) de profondeur au moyen d'un ensemble de cadre offert en option. L'ensemble comprend deux garnitures latérales en aluminium brossé de 80 po (2 032 mm). Chaque garniture mesure 5 po (127 mm) avec une face avant de 1/8 po (3 mm).

POIGNÉES POUR UNE UTILISATION AVEC DES PANNEAUX PERSONNALISÉS

SKSHK310HS – Poignée en aluminium brossé de taille moyenne de 31 11/16 po (805 mm)

SKSHK480HS – Poignée longue en aluminium brossé de 48 po (1 219 mm)

CONSEILS DE CONCEPTION

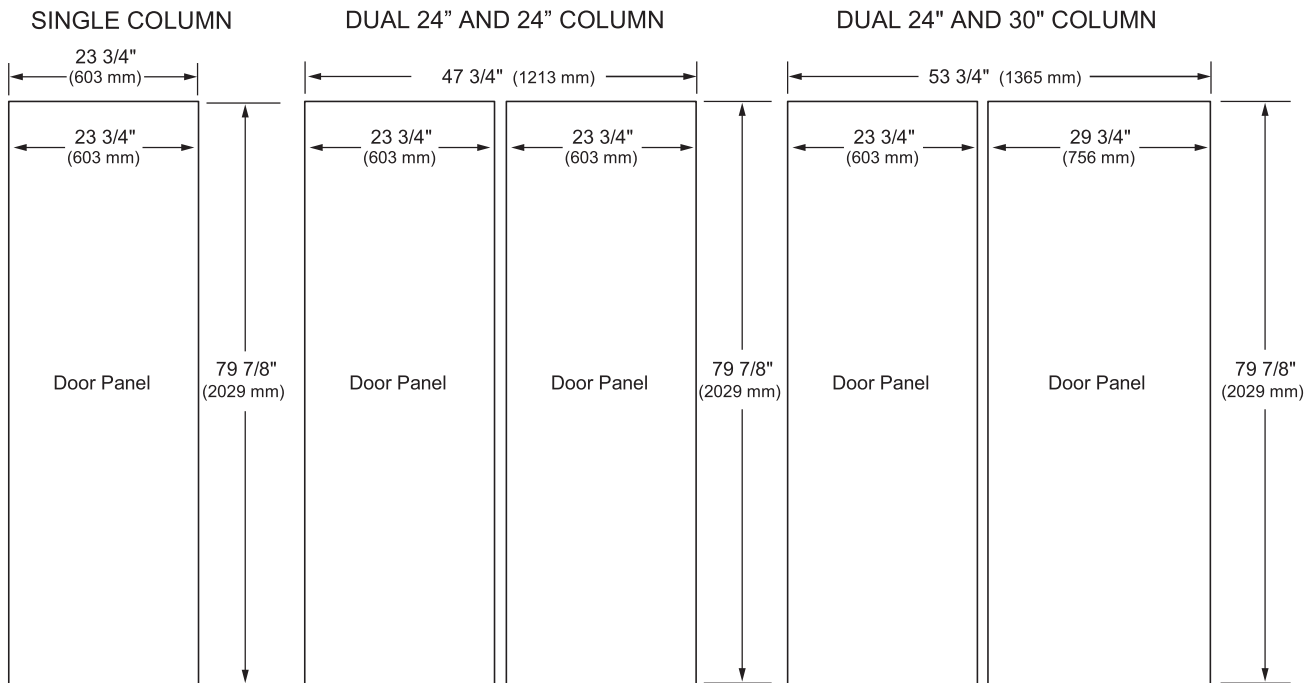
L'ensemble de panneau en acier inoxydable peut être utilisé pour une installation encastrée d'une profondeur de découpe de 25 po (635 mm) ou pour une installation proéminente d'une profondeur de découpe de 24 po (610 mm).

L'ensemble de cadre offert en option est recommandé pour les installations après-coup ou de remplacement pour lesquelles la découpe existante est de 24 po (610 mm) de profondeur.

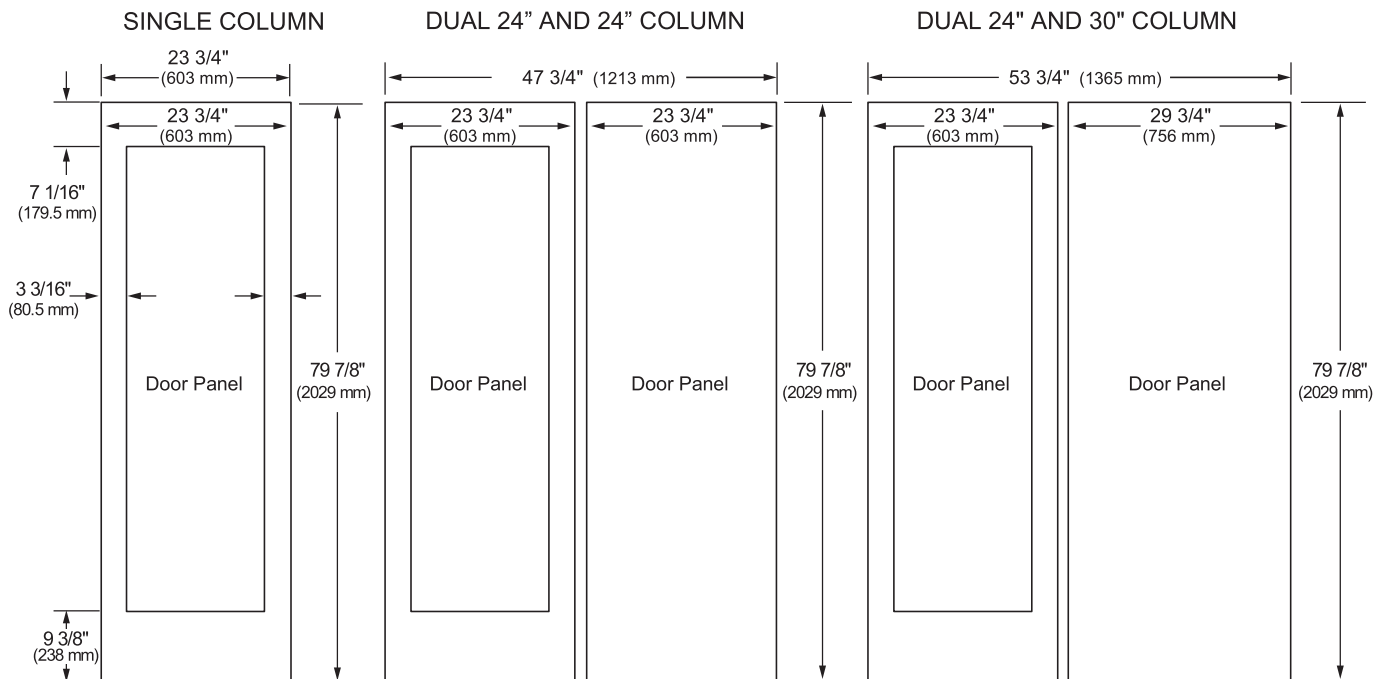
SKSCF2401P – CONGÉLATEUR INTÉGRÉ EN COLONNE DE 24 PO  
 SKSCR2401P – RÉFRIGÉRATEUR INTÉGRÉ EN COLONNE DE 24 PO  
 SKSCW241RP – REFROIDISSEUR À VIN EN COLONNE DE 24 PO

**DIMENSIONS DU PANNEAU PERSONNALISÉ DE 3/4 PO (19 MM) – INSTALLATION ENCASTRÉE**

**Congélateur/réfrigérateur en colonne**



**Refroidisseur à vin en colonne**



## REMARQUES

Les appareils sont conçus pour être personnalisés à l'aide de panneaux décoratifs. Des panneaux de porte personnalisés installés sur place de 3/4 po (19 mm) sont requis.

Pour les panneaux personnalisés : Utilisez les gabarits fournis avec les appareils pour prépercer les trous des supports de montage des panneaux (fournis avec l'appareil). Les vis de réglage et les consignes sont également fournies avec les appareils.

Le poids total maximum du panneau de porte pour la colonne de 30 po est de 64 lb.

Le poids total maximum du panneau de porte pour la colonne de 24 po est de 53 lb.

Le poids total maximum du panneau de porte pour la colonne de 18 po est de 44 lb.

## CONSEILS DE CONCEPTION

Un espace de 4 po (102 mm) sera visible sur les parois intérieures de la découpe. Il est recommandé que

la surface intérieure de l'encastrement soit finie de manière à correspondre à la surface extérieure. Pour les installations après-coup ou de remplacement, l'ensemble de cadre offert en option peut être utilisé.

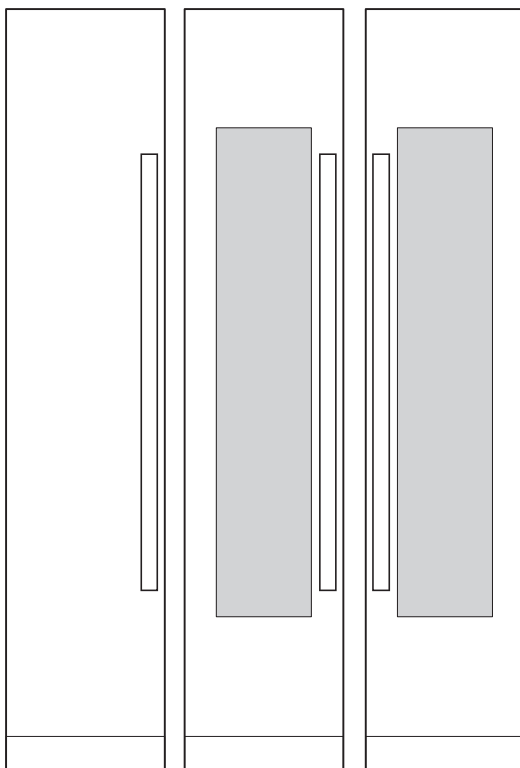
Si vous utilisez des panneaux personnalisés, un coup-de-pied personnalisé est requis.

La partie inférieure de l'encastrement n'est pas finie.

Poignées de porte : Les poignées ne sont pas incluses avec les appareils.

Des poignées personnalisées sont requises pour l'installation. Des poignées en aluminium brossé sont offertes en option.

## ACCESSOIRES EN OPTION – INSTALLATION ENCASTRÉE OU PROÉMINENTE



SKSPK240CS  
SKSPK245CS

SKSWK245LS

SKSWK245RS

SKSPK240CS/SKSPK245CS – ENSEMBLE DE PANNEAU EN ACIER INOXYDABLE POUR LE CONGÉLATEUR/RÉFRIGÉRATEUR EN COLONNE DE 24 PO

SKSWK245RS/SKSWK245LS – ENSEMBLE DE PANNEAU EN ACIER INOXYDABLE POUR LE REFROIDISSEUR À VIN EN COLONNE DE 24 PO

Cet appareil peut être installé en utilisant un ensemble de panneau en acier inoxydable offert en option. L'ensemble pour le congélateur/réfrigérateur en colonne est réversible et peut être utilisé pour que la porte s'ouvre vers la gauche ou vers la droite. Les ensembles de panneaux pour les refroidisseurs à vin en colonne ne sont pas réversibles.

SKSFK800CS – ENSEMBLE DE CADRE

Cet appareil peut être installé dans une découpe de 24 po (610 mm) de profondeur au moyen d'un ensemble de cadre offert en option. L'ensemble comprend deux garnitures latérales en aluminium brossé de 80 po (2 032 mm). Chaque garniture mesure 5 po (127 mm) avec une face avant de 1/8 po (3 mm).

POIGNÉES POUR UNE UTILISATION AVEC DES PANNEAUX PERSONNALISÉS

SKSHK310HS – Poignée en aluminium brossé de taille moyenne de 31 11/16 po (805 mm)

SKSHK480HS – Poignée longue en aluminium brossé de 48 po (1 219 mm)

CONSEILS DE CONCEPTION

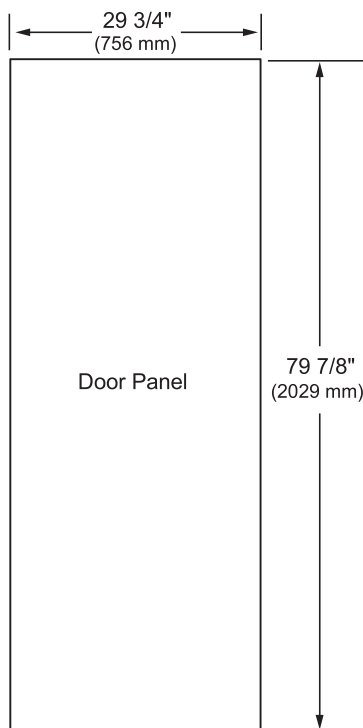
L'ensemble de panneau en acier inoxydable peut être utilisé pour une installation encastrée d'une profondeur de découpe de 25 po (635 mm) ou pour une installation proéminente d'une profondeur de découpe de 24 po (610 mm).

L'ensemble de cadre offert en option est recommandé pour les installations après-coup ou de remplacement pour lesquelles la découpe existante est de 24 po (610 mm) de profondeur.

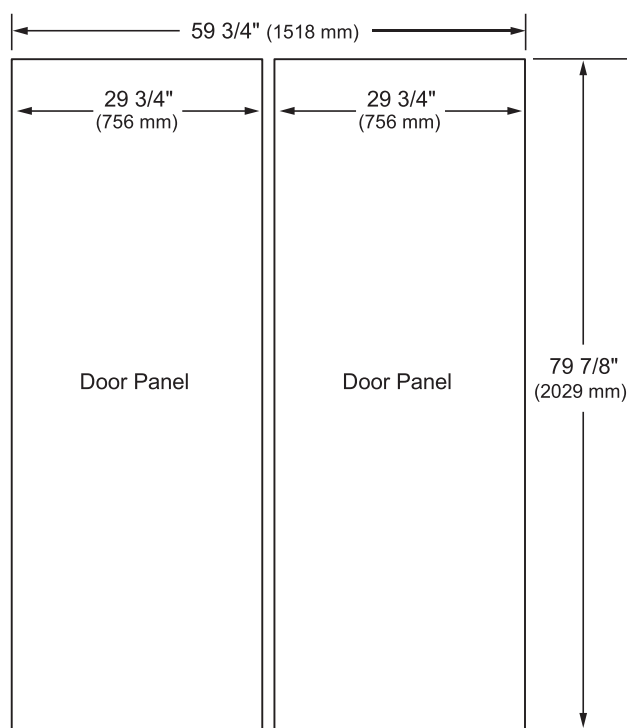
## SKSCF3001P – CONGÉLATEUR INTÉGRÉ EN COLONNE DE 30 PO SKSCR3001P – RÉFRIGÉRATEUR INTÉGRÉ EN COLONNE DE 30 PO

### DIMENSIONS DU PANNEAU PERSONNALISÉ DE 3/4 PO (19 MM) – INSTALLATION ENCASTRÉE

SINGLE COLUMN



DUAL 30" AND 30" COLUMN



#### REMARQUES

Les appareils sont conçus pour être personnalisés à l'aide de panneaux décoratifs. Des panneaux de porte personnalisés installés sur place de 3/4 po (19 mm) sont requis.

Pour les panneaux personnalisés : Utilisez les gabarits fournis avec les appareils pour prépercer les trous des supports de montage des panneaux (fournis avec l'appareil). Les vis de réglage et les consignes sont également fournies avec les appareils.

Le poids total maximum du panneau de porte pour la colonne de 30 po est de 64 lb.

Le poids total maximum du panneau de porte pour la colonne de 24 po est de 53 lb.

Le poids total maximum du panneau de porte pour la colonne de 18 po est de 44 lb.

#### CONSEILS DE CONCEPTION

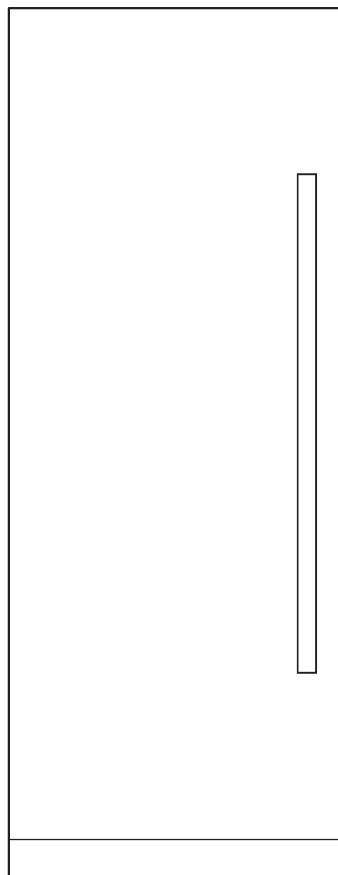
Un espace de 4 po (102 mm) sera visible sur les parois intérieures de la découpe. Il est recommandé que la surface intérieure de l'encastrement soit finie de manière à correspondre à la surface extérieure. Pour les installations après-coup ou de remplacement, l'ensemble de cadre offert en option peut être utilisé.

Si vous utilisez des panneaux personnalisés, un coup-de-pied personnalisé est requis. La partie inférieure de l'encastrement n'est pas finie.

Poignées de porte : Les poignées ne sont pas incluses avec les appareils. Des poignées personnalisées sont requises pour l'installation. Des poignées en aluminium brossé sont offertes en option.



## ACCESSOIRES EN OPTION – INSTALLATION ENCASTRÉE OU PROÉMINENTE



SKSPK300CS  
SKSPK305CS

### SKSPK300CS/SKSPK305CS – ENSEMBLE DE PANNEAU EN ACIER INOXYDABLE POUR LE CONGÉLATEUR/RÉFRIGÉRATEUR EN COLONNE DE 30 PO

Cet appareil peut être installé en utilisant un ensemble de panneau en acier inoxydable offert en option. L'ensemble comprend un panneau de porte, un coup-de-pied et une poignée. Cet ensemble est réversible et peut être utilisé pour que la porte s'ouvre vers la gauche ou vers la droite.

### SKSFK800CS – ENSEMBLE DE CADRE

Cet appareil peut être installé dans une découpe de 24 po (610 mm) de profondeur au moyen d'un ensemble de cadre offert en option. L'ensemble comprend deux garnitures latérales en aluminium brossé de 80 po (2 032 mm). Chaque garniture mesure 5 po (127 mm) avec une face avant de 1/8 po (3 mm).

### POIGNÉES POUR UNE UTILISATION AVEC DES PANNEAUX PERSONNALISÉS

SKSHK310HS – Poignée en aluminium brossé de taille moyenne de 31 11/16 po (805 mm)

SKSHK480HS – Poignée longue en aluminium brossé de 48 po (1 219 mm)

### CONSEILS DE CONCEPTION

L'ensemble de panneau en acier inoxydable peut être utilisé pour une installation encastrée d'une profondeur de découpe de 25 po (635 mm) ou pour une installation proéminente d'une profondeur de découpe de 24 po (610 mm).

L'ensemble de cadre offert en option est recommandé pour les installations après-coup ou de remplacement pour lesquelles la découpe existante est de 24 po (610 mm) de profondeur.

## Accessoires et outils requis


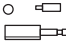

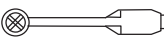
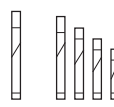



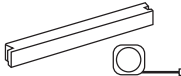
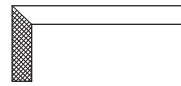
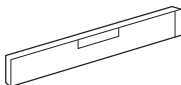
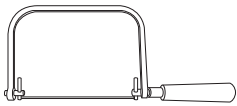
### Accessoires fournis

- Consignes d'installation
- Consignes de fonctionnement
- Ensemble d'installation
- Filtre à eau (inclus avec le réfrigérateur)

### Autres

- Escabeau
- Diable, chariot de manutention
- Marteau-perforateur pour percer des trous dans le mur ou le plancher.
- Mèches de différentes tailles pouvant percer les matériaux utilisés.
- Vis à bois de différentes tailles
- Fine feuille de contreplaqué, panneau mince d'aggloméré de bois ou carton mince pour protéger le plancher contre les dommages
- Matériau approprié pour couvrir et protéger les meubles (p. ex., des draps protecteurs)
- Ruban adhésif
- Un ensemble de raccord supplémentaire est offert en tant qu'accessoire (numéro de pièce SKSFJ800P) par Signature Kitchen Suite.

### Outils

	Visseuse sans fil
	Embouts Torx T20 et T30 et aimant de retenue
	Tournevis Torx T20 et T30
	Tournevis hexagonal de 6/16 po (10 mm)
	Divers mèches
	Pince multiprise
	Clé à molette
	Couteau à lame ajustable
	Mètre à ruban métallique, règle pliante
	Équerre
	Niveau, longueur de 2 po (60 cm) et de 4 po (1,2 m)
	Scie pour couper les moulures du haut (pour installation après-coup seulement)

# Installation

Les consignes d'installation suivantes décrivent les étapes d'installation pour différents types d'appareils :

- Réfrigérateurs dotés d'un distributeur d'eau
- Congélateurs dotés d'une machine à glaçons

Les diagrammes peuvent être une représentation générale de votre appareil.

Une référence particulière est faite pour les étapes d'installation propres à chaque type d'appareil.

## Déballage

### AVERTISSEMENTS

Afin d'éviter des blessures graves ou d'endommager l'appareil :

- N'OUVREZ PAS la porte de l'appareil à moins que les supports anti-basculement aient été fixés.
- L'appareil est très lourd et a tendance à basculer s'il n'est pas fixé.
- Pour éviter tout risque de blessures, soyez deux personnes ou plus pour soulever ou déplacer l'appareil et utilisez les techniques de levage appropriées.

Vérifiez si l'appareil a été endommagé pendant le transport.

N'installez pas l'appareil s'il est évident qu'il est endommagé.

En cas de doute, contactez votre détaillant.

1. Retirez le carton d'emballage en veillant à ne pas endommager la surface de l'appareil.
2. Pour éviter d'endommager le plancher, placez le carton d'emballage ou le contreplaqué sous l'appareil.
3. Retirez les accessoires sur les côtés de l'appareil et sous celui-ci.

#### REMARQUE :

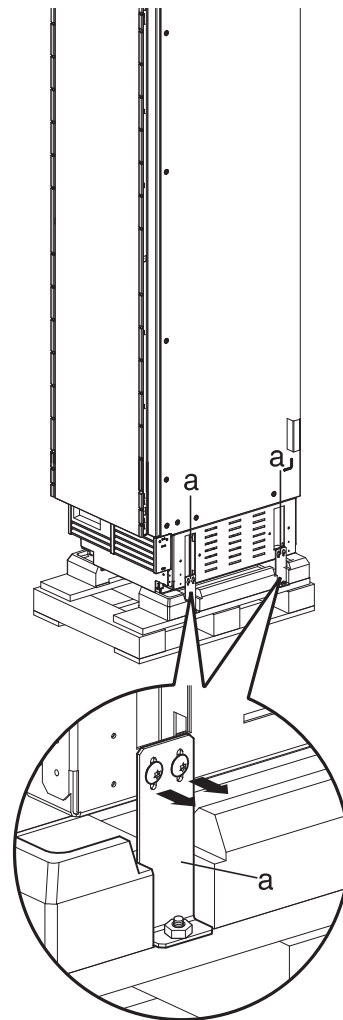
Pour éviter d'endommager les pièces, ne retirez pas les matériaux d'expédition de protection se trouvant à l'intérieur de l'appareil jusqu'à ce que l'installation soit terminée.

4. Préparation de l'installation  
Déballer le matériel d'installation et les accessoires.  
Pour simplifier l'installation, les emballages sont identifiés par les étiquettes A, B et C correspondant aux sections du manuel.

#### MISES EN GARDE :

L'appareil est très lourd. Au moins deux personnes sont nécessaires pour soulever ou déplacer l'appareil.

5. Retirez les supports d'expédition (A) et descendez l'appareil de la palette.



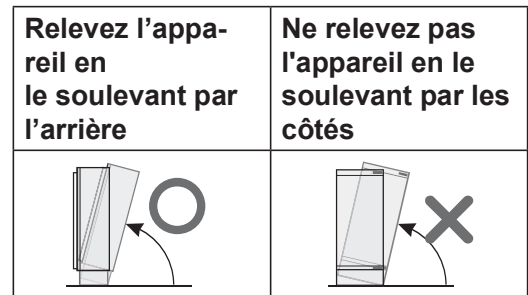
## Déplacement de l'appareil

### ! AVERTISSEMENTS

- Pour éviter tout risque de blessures, soyez deux personnes ou plus pour soulever ou déplacer l'appareil et respectez les techniques de levage appropriées.
- Si l'appareil ne peut pas être transporté en position verticale, transportez-le à l'horizontale.

#### Pour éviter d'endommager l'appareil :

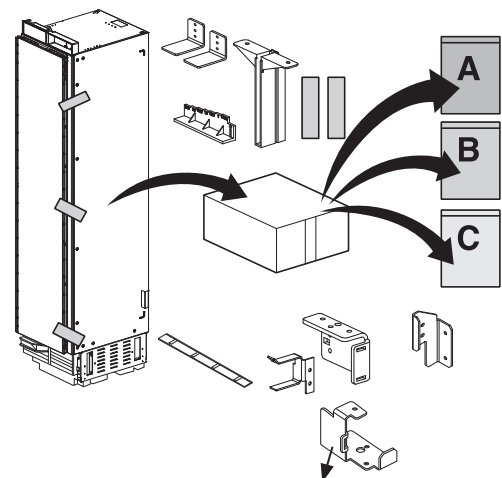
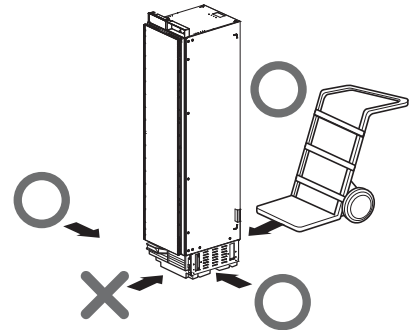
- N'inclinez pas l'appareil vers les côtés et ne le déposez pas par terre sur les côtés.
- Assurez-vous qu'il y a suffisamment de place pour que l'appareil soit en position verticale avant de le placer dans cette position.
- Utilisez un diable, un chariot élévateur ou une voiture à bras pour transporter l'appareil.
- Transportez l'appareil en le tenant par la paroi arrière SEULEMENT.
- Fixez l'appareil pendant le transport afin d'éviter qu'il bascule.



### Circonstances particulières

Avant de procéder à l'installation, vérifiez si l'une des circonstances particulières suivantes s'applique à votre installation. Dans un tel cas, suivez les consignes adéquates figurant à la section Installations particulières avant de poursuivre l'installation.

- Installation après-coup dans l'encastrement existant : consultez la section Accessoire de l'ensemble de cadre offert en option.
- Inversion de l'ouverture de la porte : consultez la section Inversion de la porte.
- Installation côte à côte de deux appareils : consultez la section Installation côte à côte.

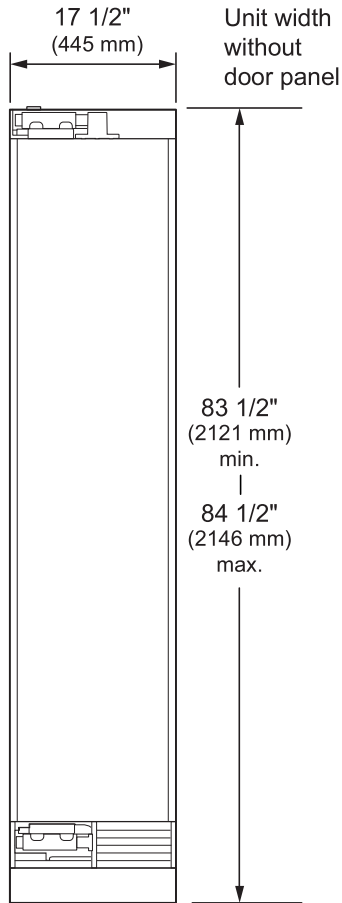


(\* Refroidisseur à vin en colonne seulement.)

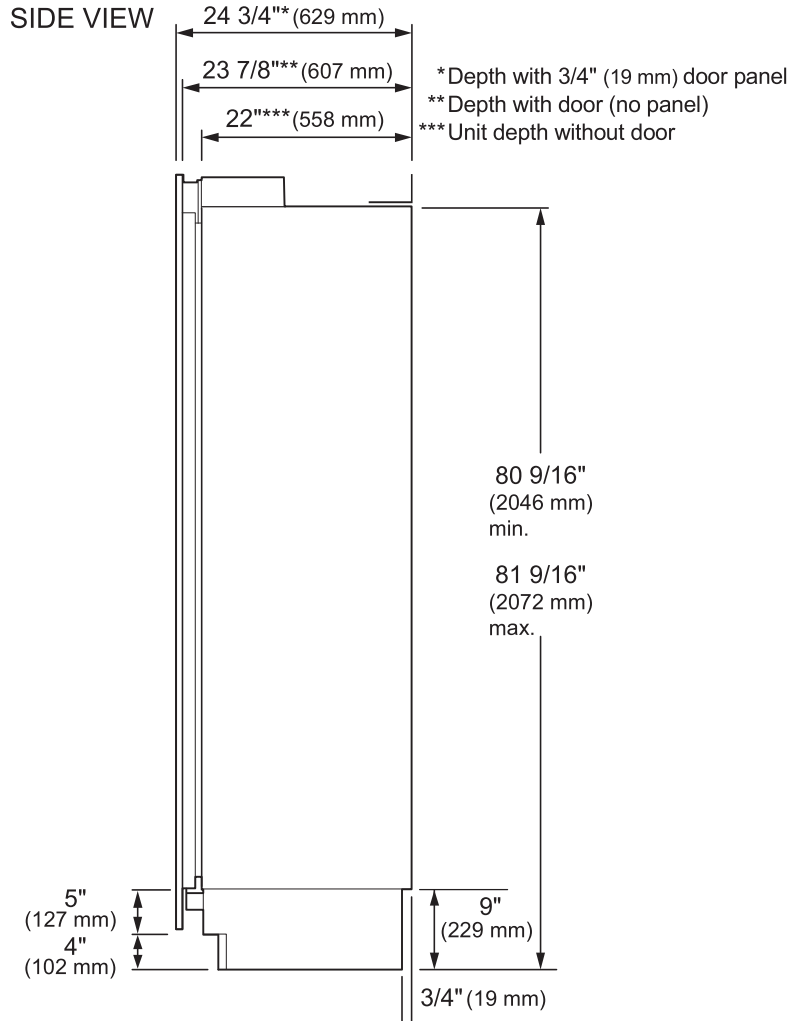
# Dimensions de l'appareil

## Congélateur/refroidisseur à vin en colonne de 18 po

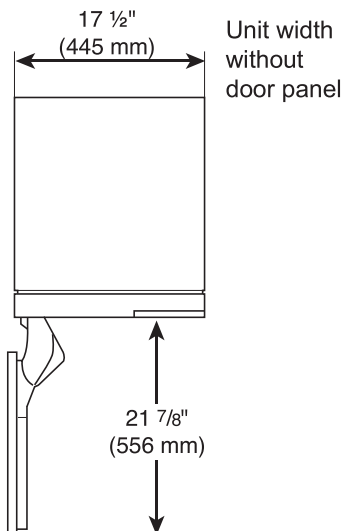
FRONT VIEW



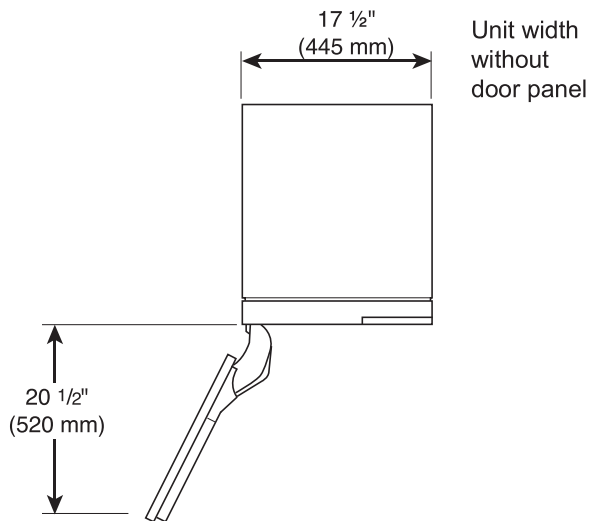
SIDE VIEW



TOP VIEW  
DOOR OPEN 90°

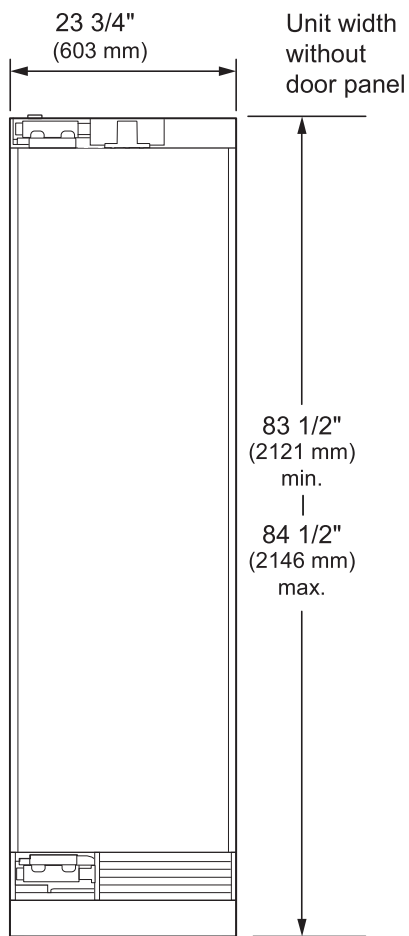


TOP VIEW  
DOOR OPEN 115°

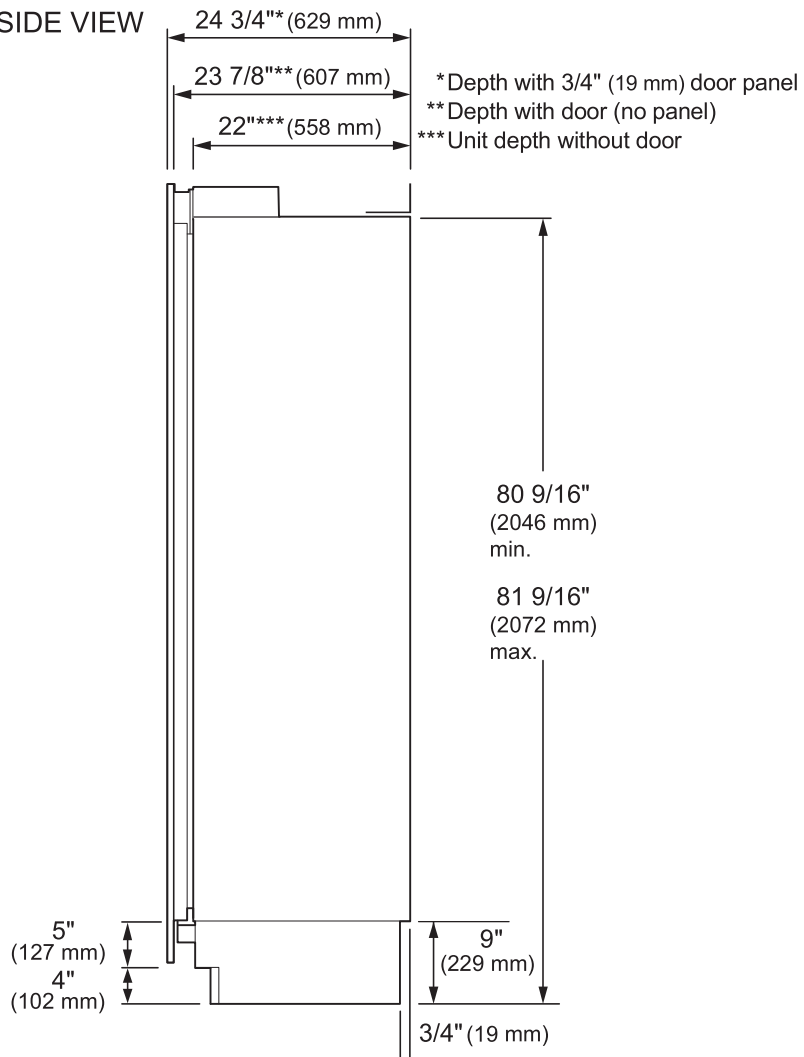


# Congélateur/réfrigérateur/refroidisseur à vin en colonne de 24 po

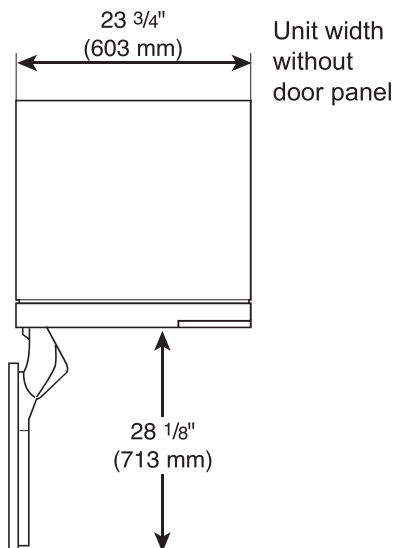
FRONT VIEW



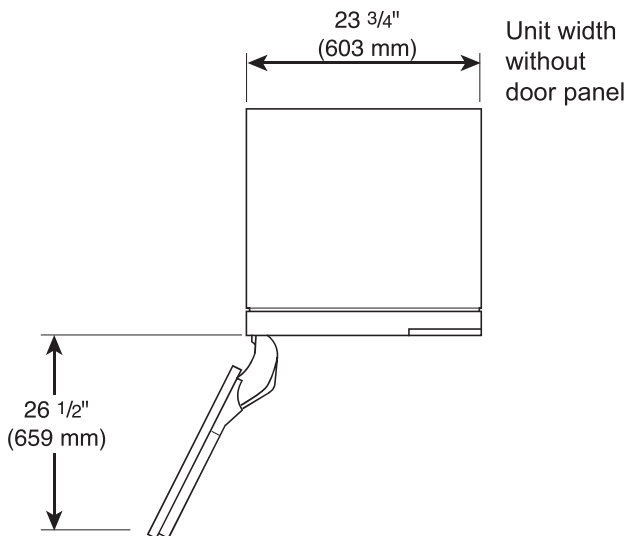
SIDE VIEW



TOP VIEW  
DOOR OPEN 90°



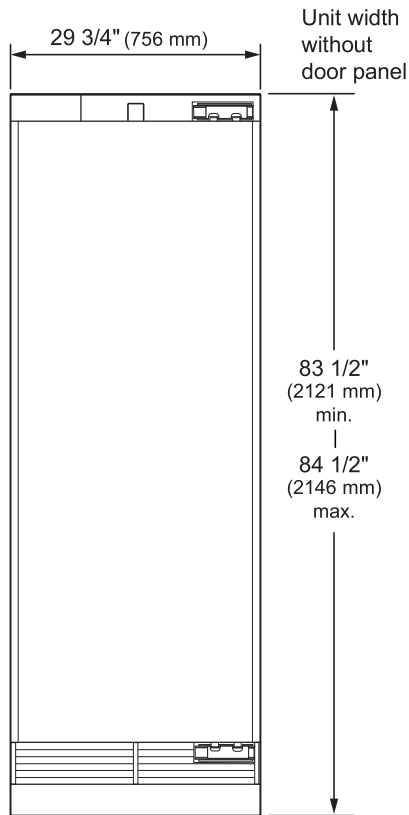
TOP VIEW  
DOOR OPEN 115°



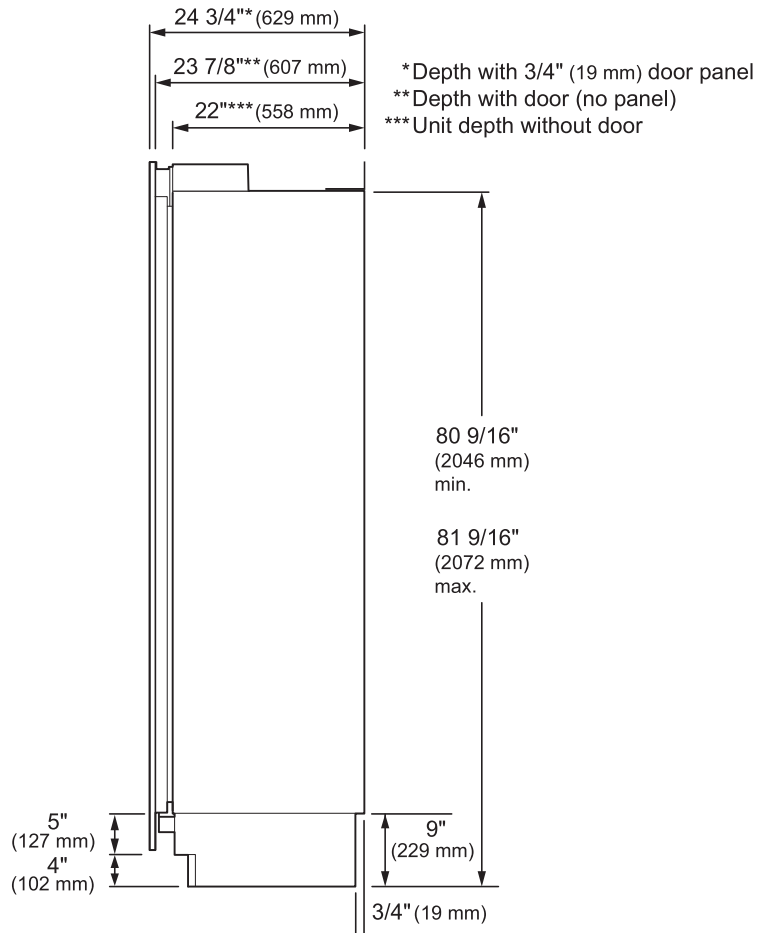
FRANÇAIS

# Congélateur/réfrigérateur en colonne de 30 po

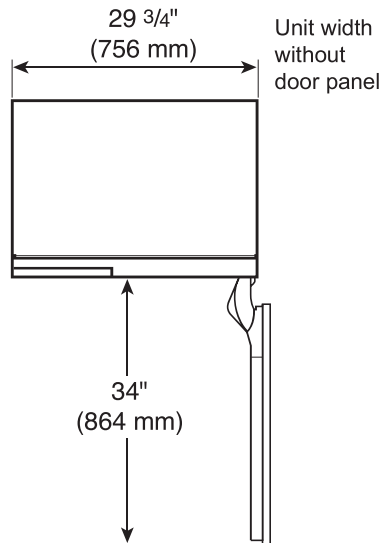
FRONT VIEW



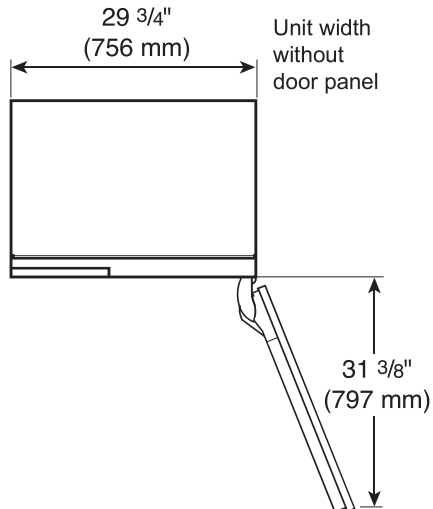
SIDE VIEW



TOP VIEW  
DOOR OPEN 90°



TOP VIEW  
DOOR OPEN 115°





## A

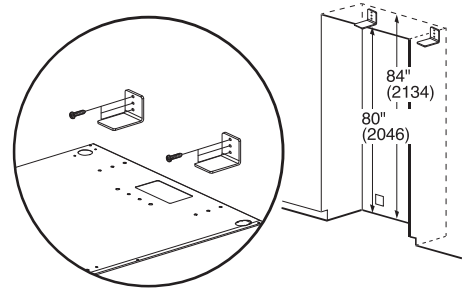
## Installation des supports anti-basculement

 **AVERTISSEMENT**

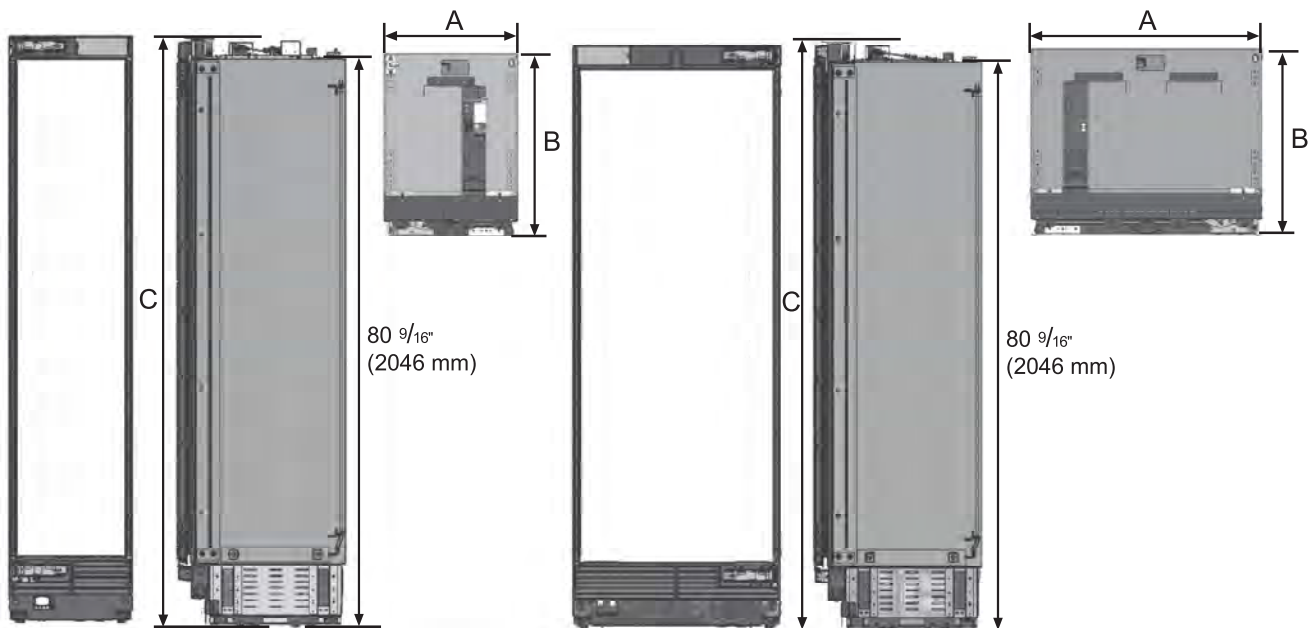
Pour éviter les blessures ou les dommages, vérifiez la présence de fils électriques ou de tuyaux dans les murs avant d'utiliser des vis.

 **MISE EN GARDE**

Pour éviter les blessures, respectez toutes les consignes de sécurité au cours de l'installation, y compris le port de lunettes de sécurité et d'autres vêtements de sécurité.



FRANÇAIS



	Appareil de 18 po	Appareil de 24 po	Appareil de 30 po
A (Largeur)	17 ½ po (445 mm)	23 ¾ po (603 mm)	29 ¾ po (756 mm)
B (Profondeur)	23 7/8 po (607 mm)		
C (Hauteur)	83 ½ po (2121 mm)		
D (Hauteur arrière)	80 9/16 po (2046 mm)		

**REMARQUE :**

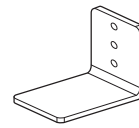
Deux supports anti-basculement sont requis pour chaque appareil.

Les supports anti-basculement doivent dépasser le dessus de l'appareil d'au moins 2 1/8 po (54 mm) pour fixer l'appareil.

1. Installez les supports anti-basculement à l'arrière de l'encastrement; fixez les supports en fonction de l'emplacement des poteaux de cloison, ainsi que des dimensions de l'appareil et de l'encastrement.
2. Assurez-vous que les supports anti-basculement sont solidement fixés à un poteau de cloison ou à d'autres structures portantes.  
Ne fixez pas les supports sur une cloison sèche, un bloc de béton de mâchefer ou du béton non durci.

Pour assurer la sécurité de l'installation, au moins un support doit être fixé à un poteau de cloison. Fixez les supports sur les poteaux de cloison à l'intérieur de l'encastrement, partout où cela est possible. Utilisez au moins trois vis ou trois boulons pour chaque support.

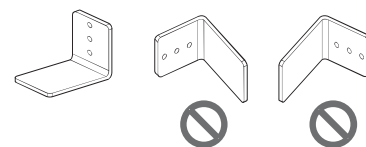
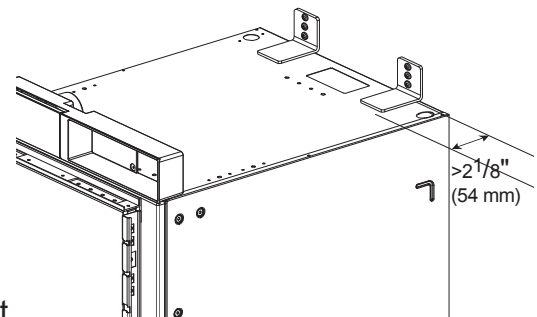
Les supports doivent être fixés comme il est illustré à droite. Les supports pourraient s'avérer inefficaces dans la prévention du basculement de l'appareil s'ils sont installés d'une autre façon.



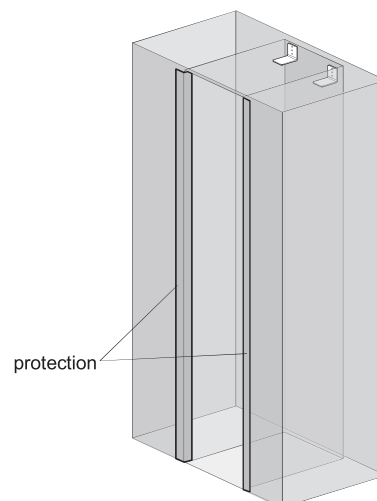
Supports anti-basculement  
(2)



Mur en béton/bois  
5X45 6X (hexagonale)

**Protection des bords de l'encastrement**

Afin de protéger les bords avant de l'encastrement, collez un carton mince ou un autre matériau de protection sur les bords.



## Installation de l'appareil dans l'encastrement

### ! AVERTISSEMENT

Au moins deux personnes sont requises pour installer l'appareil. Soyez prudent lorsque vous déplacez l'appareil. Il est très lourd et a tendance à basculer lorsqu'il n'est pas fixé.

### ! MISES EN GARDE

Prenez soin de ne pas endommager la conduite d'eau ou le cordon d'alimentation lorsque vous mettez l'appareil en place dans l'encastrement.

Avant de mettre l'appareil en place, fermez la porte et les tiroirs ou empêchez-les de s'ouvrir. Assurez-vous de protéger le revêtement de plancher.

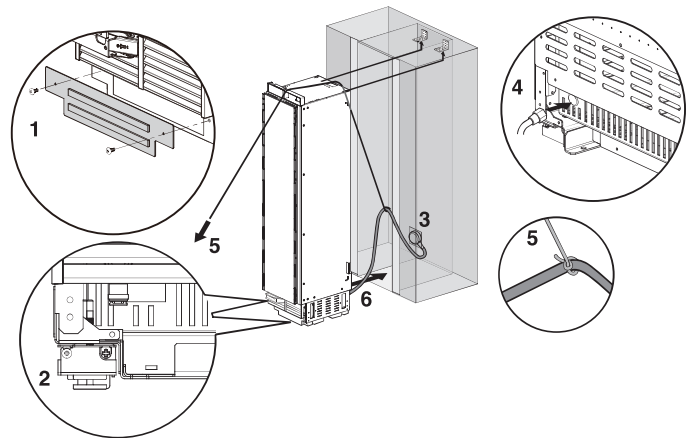
Utilisez un diable pour déplacer l'appareil à proximité de l'ouverture.

Les pieds de mise à niveau avant sont abaissés au-dessous des roulettes avant pour améliorer la stabilité pendant la mise en place de l'appareil. Une fois que l'appareil est placé en face de l'ouverture, rentrez complètement les pieds de mise à niveau avant afin de pouvoir faire rouler l'appareil dans l'encastrement. Les pieds de mise à niveau avant et arrière peuvent être ajustés depuis l'avant une fois que l'appareil est en place.

Si l'appareil a été placé sur le dos ou le côté, il doit rester debout pendant au moins 24 heures avant la mise sous tension.

Après la mise en place de l'appareil, assurez-vous que les supports anti-basculement sont correctement enclenchés.

1. Retirez le panneau inférieur.
2. Rentrez les pieds de mise à niveau afin que l'appareil puisse rouler vers l'avant.
3. Branchez le cordon d'alimentation dans la prise électrique.
4. Insérez la conduite d'eau dans le trou à l'arrière de l'appareil jusqu'à ce qu'elle sorte du trou à l'avant de l'appareil.
5. Attachez une longue ficelle au milieu du cordon d'alimentation. Placez la ficelle sur le dessus de l'appareil, tirez-la jusqu'à ce que le cordon d'alimentation soit à une bonne hauteur, puis collez la ficelle à l'avant de l'appareil avec du ruban adhésif pour que le cordon d'alimentation ne touche plus au sol. Ne pincez pas et ne coincez pas le cordon d'alimentation.
6. Poussez avec précaution l'appareil dans l'encastrement, en veillant à ne pas pincer le cordon d'alimentation ou la conduite d'eau en dessous ou derrière l'appareil.
7. Retirez la protection des bords de l'encastrement.



## Alignement et mise à niveau de l'appareil

### AJUSTEMENT DE LA PROFONDEUR

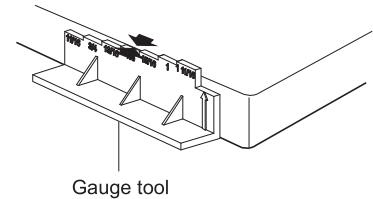
Ajustez la profondeur de l'appareil dans l'encastrement de façon à ce que les panneaux de porte soient parfaitement encastrés dans les armoires adjacentes. Utilisez l'outil de jauge fourni pour assurer un positionnement précis.

#### 1. Mesurez l'épaisseur de vos panneaux de porte décoratifs au moyen de l'outil de jauge.

Placez le panneau de porte sur une surface plane et protégée et placez l'outil de jauge à côté du panneau. Marquez l'encoche sur l'outil de jauge qui correspond à l'épaisseur du panneau de porte.

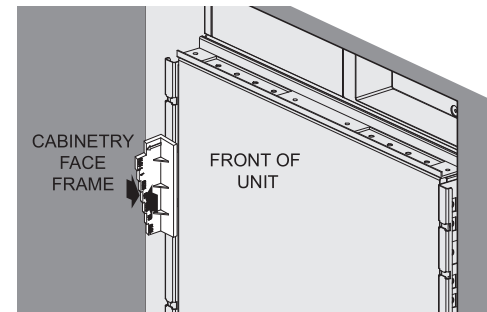
#### 2. Utilisez la marque sur l'outil de jauge pour ajuster la profondeur de l'appareil dans l'encastrement.

Placez l'outil de jauge contre la porte fermée de l'appareil sur le côté de l'encastrement. L'encoche marquée sur l'outil de jauge doit être alignée avec le bord avant de l'encastrement.



Gauge tool

Mesurez l'épaisseur du panneau



CABINETY  
FACE  
FRAME

FRONT OF  
UNIT

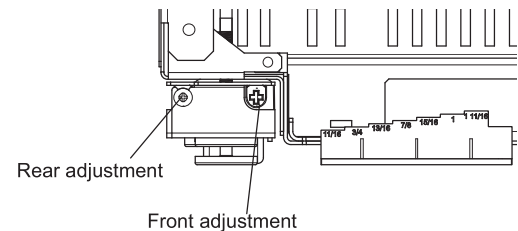
Alignez la profon-  
deur de l'appareil

### AJUSTEMENT DE LA HAUTEUR

Les pieds de mise à niveau avant et arrière peuvent être tous les deux ajustés depuis l'avant de l'appareil.

Avant : Utilisez un tournevis cruciforme de 5/16 po (8 mm) à rallonge flexible.

Arrière : Utilisez un tournevis cruciforme de 5/16 po (8 mm) à rallonge flexible.



Rear adjustment

Front adjustment

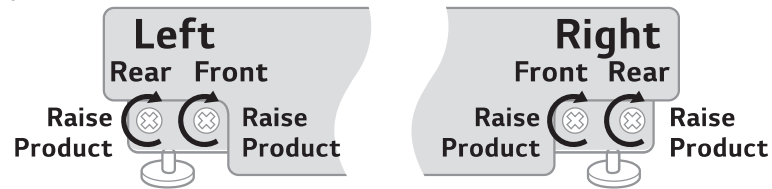
## AVERTISSEMENT

Pour réduire la possibilité que l'appareil bascule vers l'avant, les pieds de mise à niveau avant doivent être en contact avec le sol.

## MISE À NIVEAU

Une fois que l'appareil est correctement aligné dans l'encastrement, mettez-le à niveau à l'aide des pieds de mise à niveau avant et arrière.

1. Utilisez un tournevis cruciforme pour ajuster les pieds de mise à niveau avant et arrière jusqu'à ce qu'ils soient fermement en contact avec le sol.



Mise à niveau

2. Tournez les vis comme il est illustré ci-dessus pour soulever l'appareil. Tournez les vis dans le sens opposé pour abaisser l'appareil.
3. Assurez-vous que le poids du réfrigérateur repose sur les pieds, et non sur les roues.
4. Utilisez une application de mise à niveau pour téléphone intelligent ou placez un niveau de charpentier sur le dessus et les bords de l'appareil pour vérifier qu'il est à niveau et d'aplomb. Vous pouvez également utiliser l'outil de jauge fourni pour mesurer la distance du bord inférieur de l'appareil jusqu'au plancher à partir des coins avant.

## MISES EN GARDE

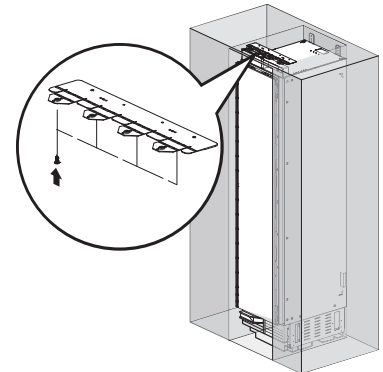
- Si vous utilisez une perceuse électrique, réglez le couple au plus bas.
- Laissez au moins 3/8 po (10 mm) entre la partie supérieure avant de l'appareil et la partie supérieure de l'encastrement pour intégrer la bande de remplissage supérieure.
- Pour le réglage de couple, ne dépassez pas 20 po-lb (2,25 Nm).
- Un ajustement de 20 tours correspond à une élévation de 1/16 po (2 mm).

## Fixation de l'appareil à l'encastrement

### ⚠ AVERTISSEMENTS

- Afin d'éviter tout basculement, l'appareil doit être fixé à la partie supérieure de l'encastrement.
- La partie supérieure de l'encastrement doit être faite d'un matériau solide (pas un panneau MDF) d'au moins 5/8 po (16 mm) d'épaisseur.

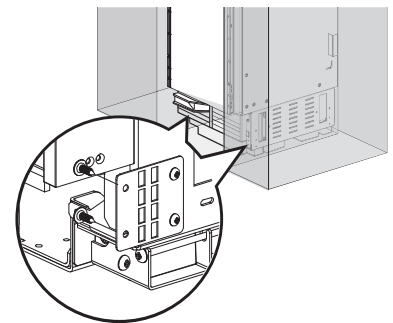
1. Vissez les oreilles du support de sécurité situé en haut de l'appareil à la partie supérieure de l'encastrement.
2. S'il y a un écart important entre le dessus de l'appareil et la partie supérieure de l'encastrement, insérez un morceau de bois entre les oreilles et la partie supérieure de l'encastrement pour combler l'écart.
3. Vissez les supports de sécurité latéraux sur les côtés de l'encastrement.



 4X15 4X

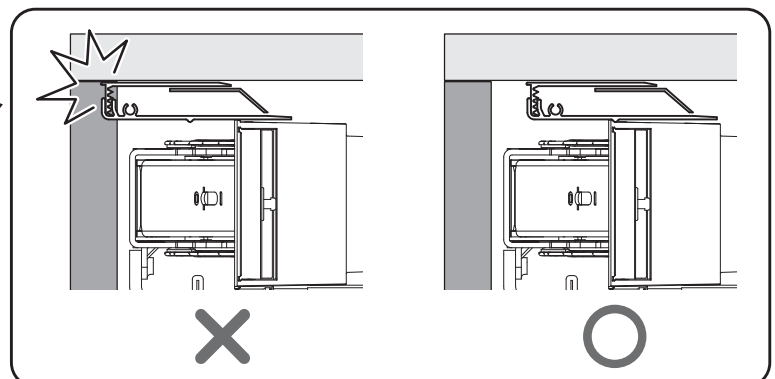
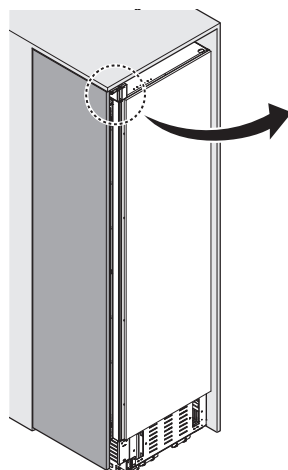
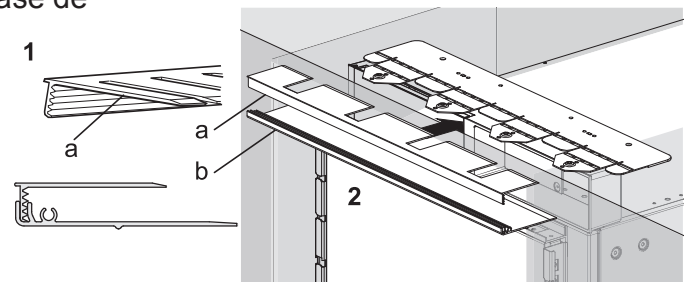
**REMARQUE :** Si vous installez deux appareils côte à côte, attachez-les ensemble à l'aide de l'ensemble de raccord. Fixez-les sur les côtés de l'encastrement comme s'ils ne formaient qu'un seul appareil.

4. Faites glisser la partie supérieure de l'ensemble de remplissage avant (a) sur le dessus de l'appareil jusqu'à ce qu'il s'emboîte dans le support de sécurité supérieur.
5. Une fois que la partie supérieure de l'ensemble de remplissage est en place, faites glisser la base de l'ensemble vers le dessous et introduisez la partie supérieure dans la base (b).



 4X15 4X

**REMARQUE :** Si vous installez deux appareils côte à côte, fixez les deux couvercles supérieurs à l'aide de la vis se trouvant dans les accessoires.



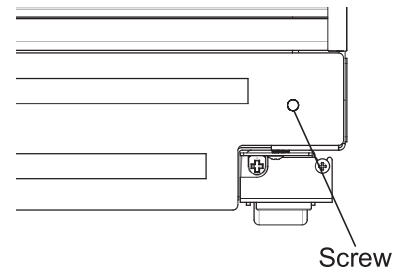
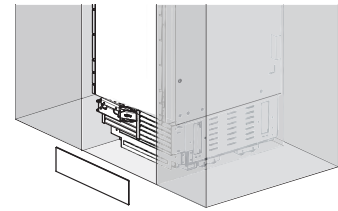
## Fixation du panneau coup-de-pied

### ! MISE EN GARDE

Pour éviter d'endommager l'appareil, n'obstruez pas les fentes de ventilation dans le panneau inférieur.

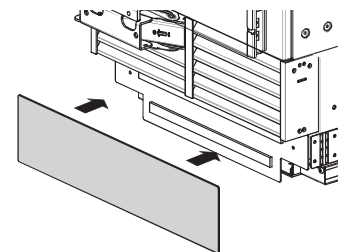
### Panneau coup-de-pied en acier inoxydable (accessoire en option)

1. Vissez le panneau inférieur à l'appareil.
2. Retirez le film protecteur de l'adhésif sur les bandes magnétiques fournies.
3. Collez les bandes magnétiques à l'arrière du panneau coup-de-pied en acier inoxydable.
4. Fixez le panneau coup-de-pied en acier inoxydable au panneau inférieur à l'aide des bandes magnétiques.



### Panneau coup-de-pied en bois

1. Si nécessaire, découpez le panneau de bois pour qu'il corresponde à la largeur de l'encastrement.
2. Vissez le panneau inférieur à l'appareil.
3. Retirez le film protecteur de l'adhésif sur les bandes magnétiques fournies.
4. Collez les bandes magnétiques à l'arrière du panneau coup-de-pied en bois.
5. Fixez le panneau coup-de-pied en bois au panneau inférieur à l'aide des bandes magnétiques.

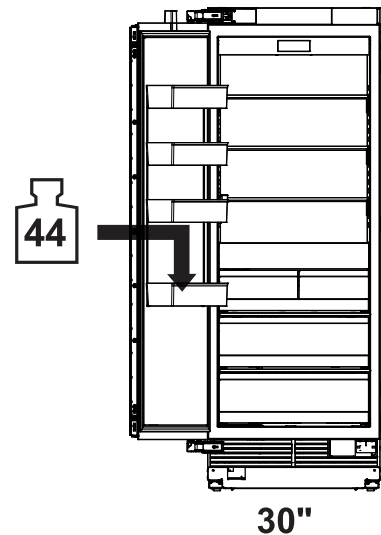
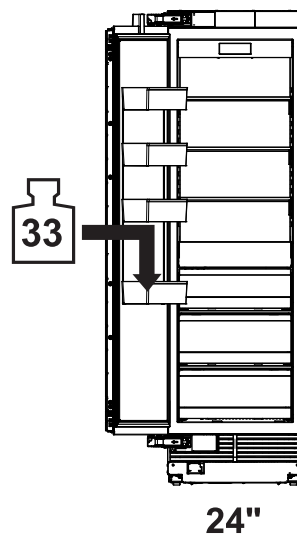
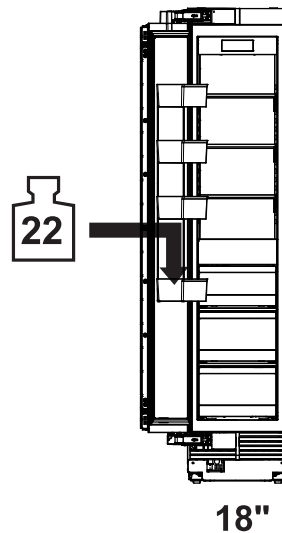


## Remplissage de la porte de l'appareil

Pour obtenir des résultats précis, avant de fixer les panneaux de porte, remplissez les balconnets de porte avec des poids pour vous assurer que l'écart reste adéquat après que des aliments auront été rangés dans la porte.

Recommandations :

- Appareil de 18 po : 22 lb/10 kg
- Appareil de 24 po : 33 lb/15 kg
- Appareil de 30 po : 44 lb/20 kg



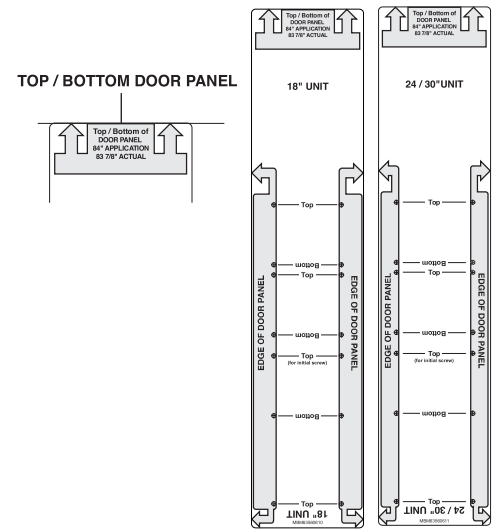


## Installation des panneaux de porte

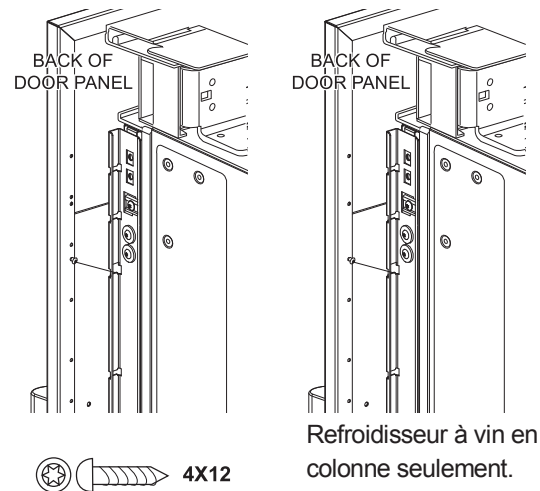
Les dimensions typiques des panneaux sont basées sur une hauteur finie de 84 po (213,4 cm) et des tableaux de 1/8 po (3,2 mm). Le positionnement du gabarit doit être ajusté pour les panneaux excédant les dimensions typiques.

Le panneau de porte doit d'abord être installé, suivi du panneau de porte supérieur puis inférieur au besoin.

1. Placez le panneau de porte face vers le bas sur une surface protégée.
2. Trouvez le bon côté du gabarit du panneau de porte pour votre appareil et alignez le gabarit sur le haut et le côté gauche du panneau.
3. Utilisez le gabarit pour indiquer le bon emplacement des vis à l'arrière du panneau.
4. Faites glisser le gabarit vers la droite afin qu'il s'aligne sur le haut et le côté droit du panneau.
5. Utilisez le gabarit pour indiquer le bon emplacement des vis à l'arrière du panneau.
6. Dans le cas des réfrigérateurs/congérateurs en colonne, insérez une vis de 1/2 po n° 8 dans le cinquième trou à partir du haut de chaque côté. Dans le cas des refroidisseurs à vin en colonne, insérez une vis dans le troisième trou à partir du haut. Arrêtez-vous lorsque les vis ressortent de 3/16 po (4 mm) du panneau. Elles serviront de vis de support lors de l'installation du panneau.
7. Insérez les vis de support dans les trous oblongs des supports de montage de porte de l'appareil afin que le panneau soit accroché sur la porte.



FRANÇAIS



Refroidisseur à vin en colonne seulement.

Installation du panneau de porte

### ! MISE EN GARDE

Méfiez-vous des points de pincement lors de l'installation des panneaux de porte ou lorsque vous ouvrez ou fermez les portes.

## Ajustement des panneaux de porte

Des ajustements de précision peuvent maintenant être faits pour aligner les panneaux de porte.

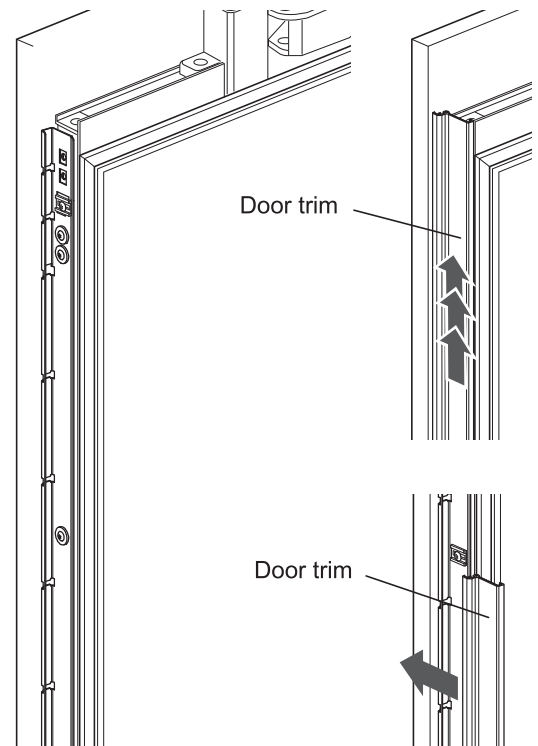
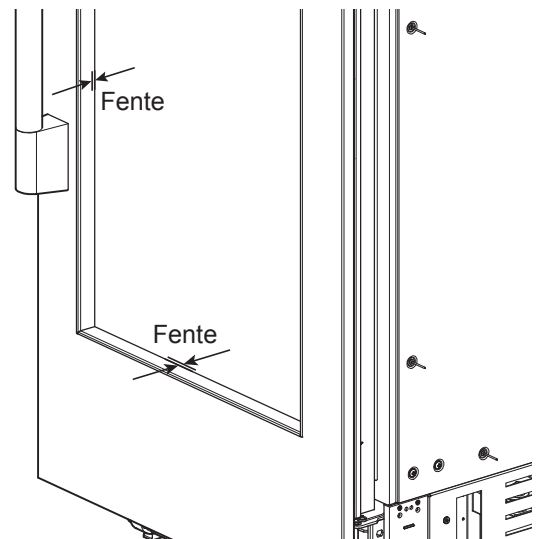
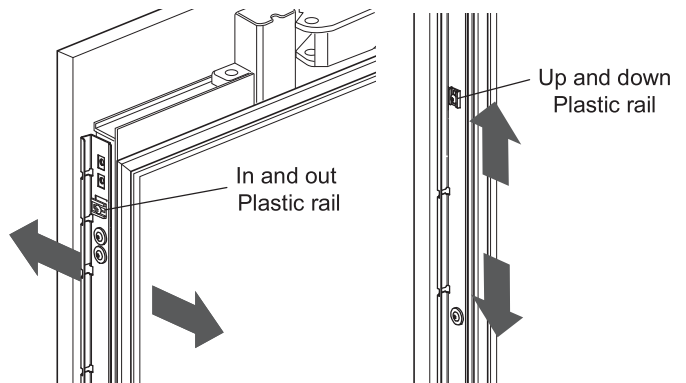
1. Pour ajuster le panneau de porte horizontalement, faites glisser les vis de support du panneau vers la gauche ou la droite dans les trous oblongs comme vous le souhaitez. Demandez à une autre personne de maintenir le panneau en place pendant que vous serrez les vis de support, puis insérez et serrez toutes les vis de montage restantes.
2. Pour ajuster le panneau de porte à la verticale ou d'avant en arrière, desserrez les vis du support de porte de l'appareil. Déplacez les rails en plastique pour faire des ajustements au besoin. Demandez à une autre personne de maintenir le support en place pendant que vous serrez toutes les vis de support.

### REMARQUE

Lors du réglage du panneau de porte du refroidisseur à vin, il restera un petit espace entre la surface de la porte en verre et la bride en plastique du panneau. C'est normal.

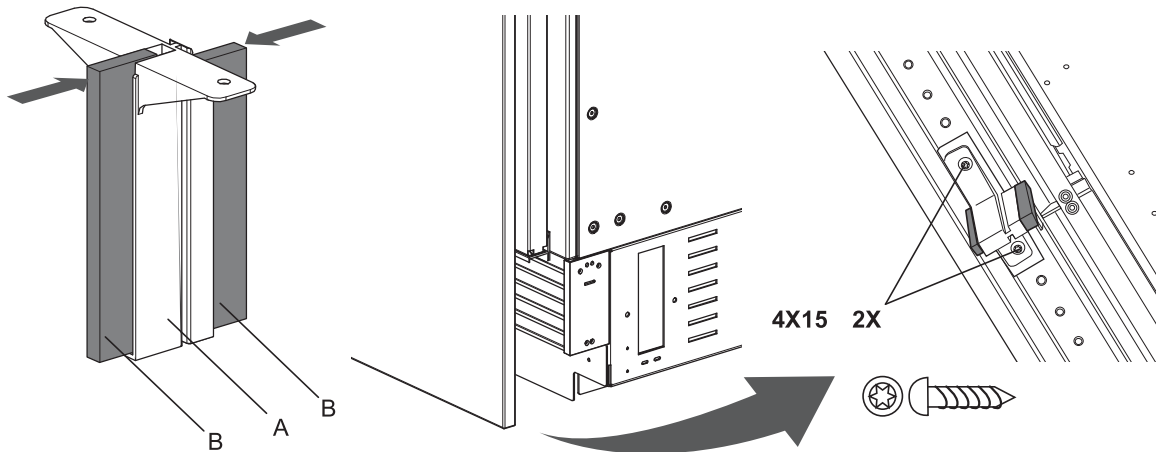
## Installation de la garniture de porte

Après avoir ajusté les panneaux, installez la garniture décorative latérale sur les portes. Pour l'installer, commencez par le centre et alignez la garniture avec les brides avant et arrière sur le support, puis mettez la garniture en place en la poussant vers l'arrière du panneau. Une fois que le centre de la garniture est fixé, continuez à l'installer vers le haut jusqu'à ce qu'elle soit complètement fixée.



## Fixation du séparateur d'air

Assemblez la partie A avec la partie B et fixez l'ensemble au centre, sur la partie inférieure avant de la porte.

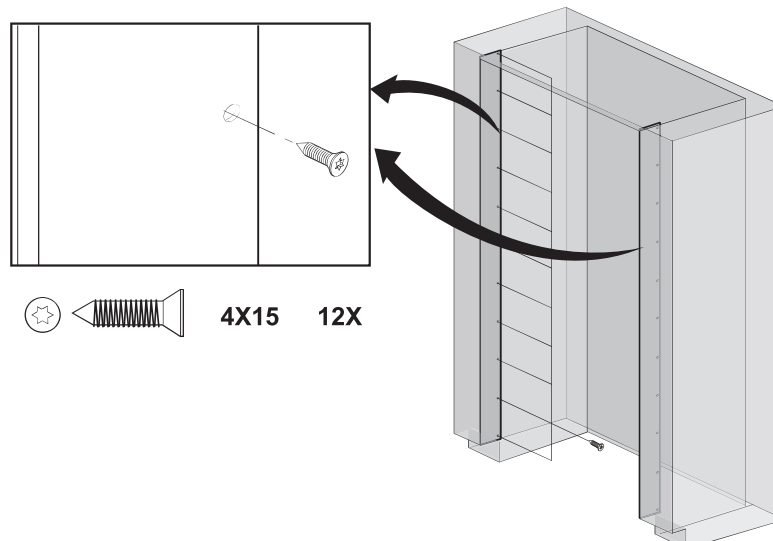


## Installations particulières

### Accessoires de l'ensemble de cadre en option

Achetez et installez l'ensemble de cadre offert en option pour les installations côte à côte après-coup. L'ensemble inclut des garnitures en acier inoxydable pour couvrir les bords avant à l'intérieur de l'encastrement. Consultez les consignes d'installation détaillées fournies avec l'ensemble.

Attaching side trim for retro fit



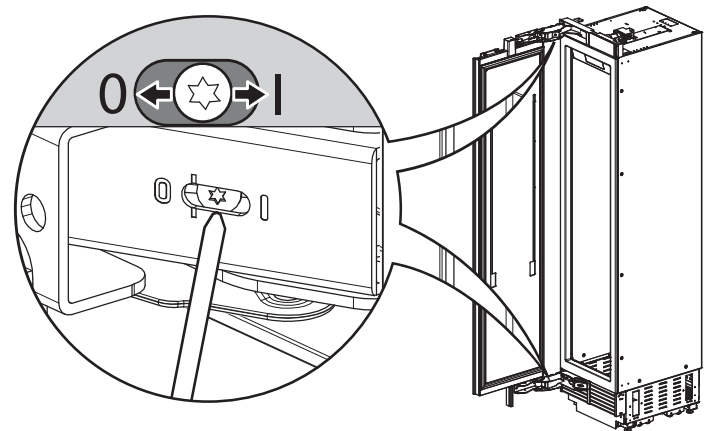
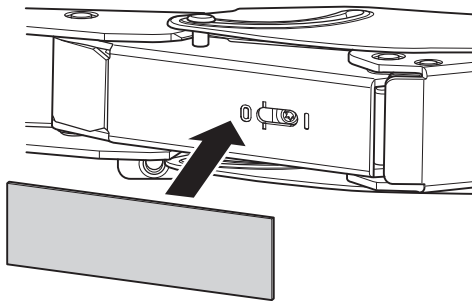
## Ajustement du ressort de porte

Faites tourner la vis de réglage avec l'embout T20 fourni.

I = Tension de ressort maximale

0 = Aucune tension du ressort

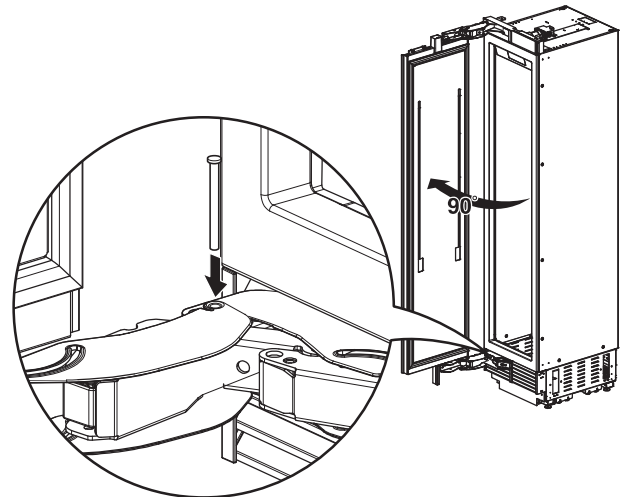
(En option) Après avoir ajusté le ressort de la porte, fixez les feuilles de plastique grises pour cacher les vis de réglage.



## Ajustement de la butée de porte

La position par défaut de la butée de porte est de 115°. Suivez les consignes ci-dessous pour changer la position de la butée de porte pour 90°.

1. Ouvrez la porte à 90°.
2. Insérez la goupille de la butée de porte dans les trous qui sont maintenant alignés à l'arrière de la charnière. Utilisez un maillet en caoutchouc pour insérer complètement la goupille.

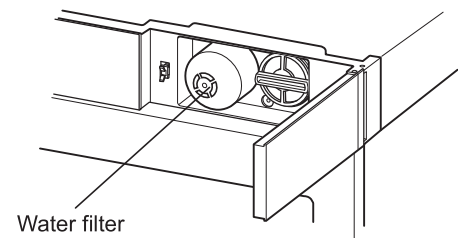


## Dérivation du filtre à eau

Le retrait du filtre à eau met automatiquement l'appareil en mode Dérivation du filtre. Cela permet à l'appareil de fonctionner sans filtre à eau.

### Retrait du filtre à eau

1. Poussez légèrement sur la porte d'accès du filtre à eau pour l'ouvrir.
2. Utilisez le bouchon pour faire pivoter le filtre à eau dans le sens antihoraire et retirez le filtre à eau. Veuillez consulter le manuel d'utilisation pour obtenir des consignes détaillées.



## Inversion de la porte

### ⚠ AVERTISSEMENT

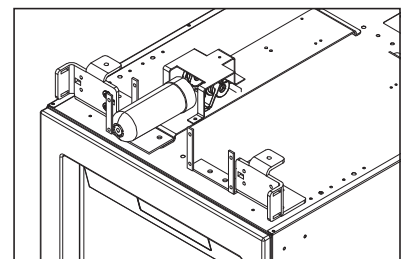
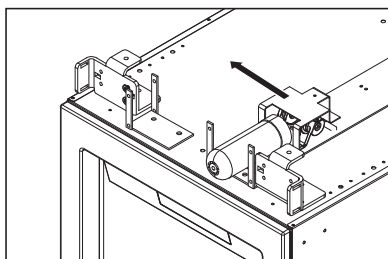
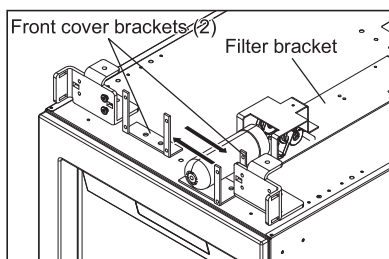
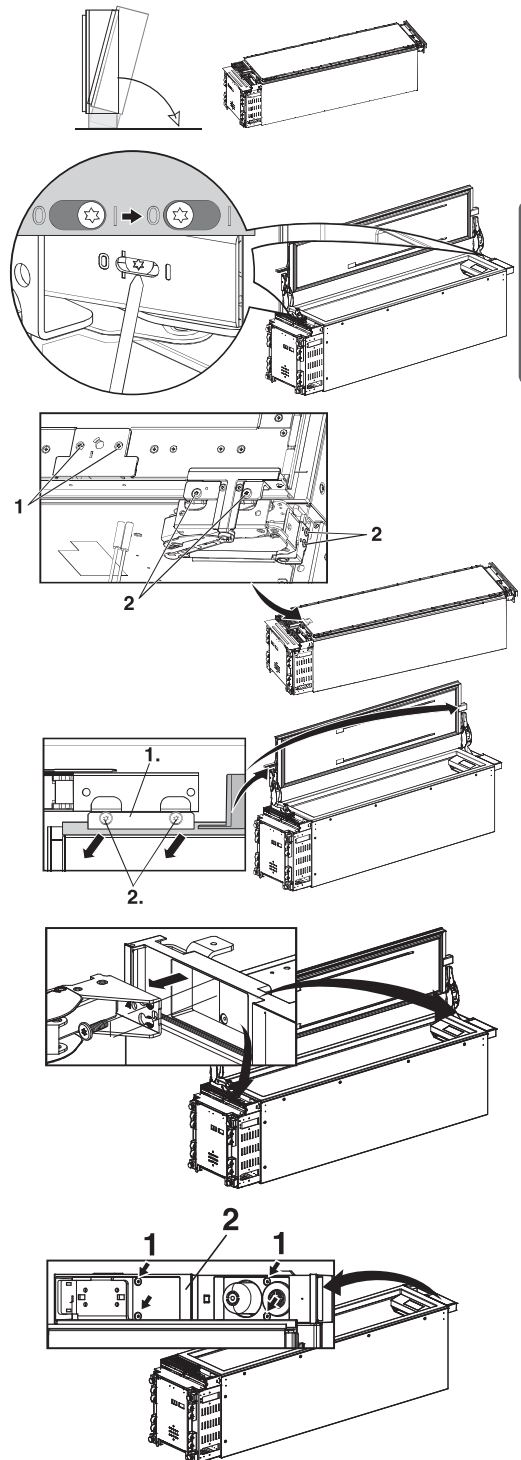
#### Risque de blessure

Avant de travailler sur la charnière, relâchez la tension du ressort.

#### REMARQUES :

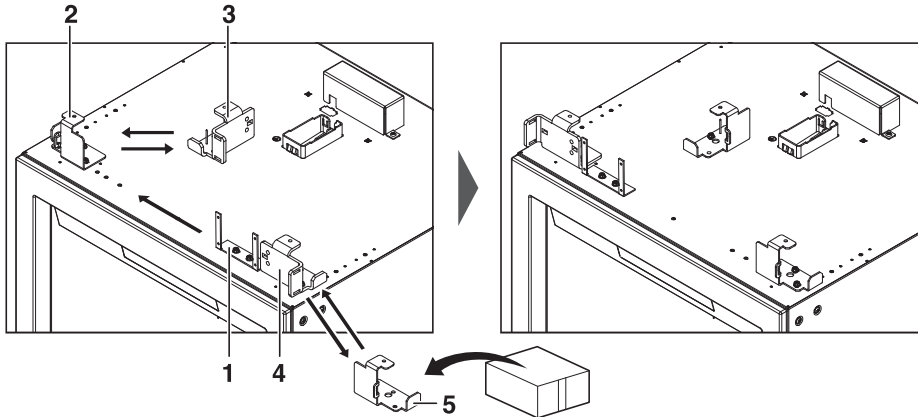
- Pour faciliter l'inversion de la porte, placez le réfrigérateur sur le dos sur une surface plane et protégée avant de commencer.
- Si la porte est inversée alors que l'appareil est debout, il faut ABSOLUMENT que la porte soit supportée lors du retrait ou de l'installation des vis de montage.

1. Ouvrez la porte et relâchez la tension du ressort de la charnière à l'aide de l'embout T20 fourni pour faire pivoter la vis de I à O.
- 2a. (Pour les refroidisseurs à vin en colonne seulement)  
Retirez les deux vis du couvercle de la carte de circuit imprimé (1) au bas de l'appareil, puis retirez le couvercle. Retirez le couvercle de ventilation comme il est illustré à l'étape 6. Retirez les quatre vis de support de la tige (2). Déplacez la tige pour permettre le retrait de la porte.
- 2b. Si un séparateur d'air est fixé, retirez-le. Retirez les deux vis de montage en haut et en bas de la porte (1). Retirez la porte (2) et déposez-la sur une surface protégée.
3. Sur l'armoire, retirez les deux vis des charnières supérieure et inférieure, retirez les charnières, et mettez les pièces de côté.
4. Ouvrez la porte d'accès au filtre à eau. Dévissez les quatre vis (1) et retirez le couvercle avant (2).
- 5a. (Pour les réfrigérateurs/congélateurs en colonne seulement)  
Retirez les vis des deux supports du couvercle avant sur le haut de l'appareil. Échangez la position des deux supports, faites pivoter l'un d'entre eux de 180 degrés, puis réinstallez les vis.  
Retirez les vis du support du filtre et réinstallez le support de l'autre côté.

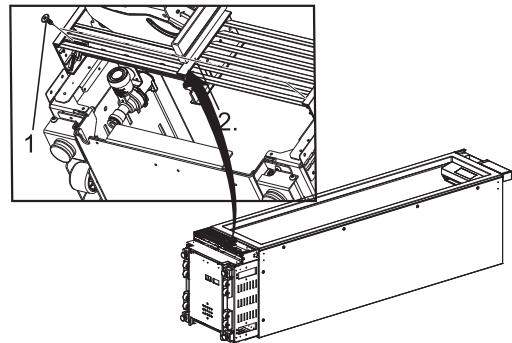


5b. (Pour les refroidisseurs à vin en colonne seulement)

Retirez les vis de montage du support du couvercle avant sur le haut, au centre de l'appareil (1). Réinstallez le support du côté opposé. Retirez les vis de montage du support du couvercle avant à gauche (2) et la douille de charnière supérieure (3); échangez leur position et réinstallez les vis. Retirez les vis de montage de la douille de charnière supérieure droite (4) et remplacez-la par le support du couvercle avant (5) fourni avec les accessoires d'installation.

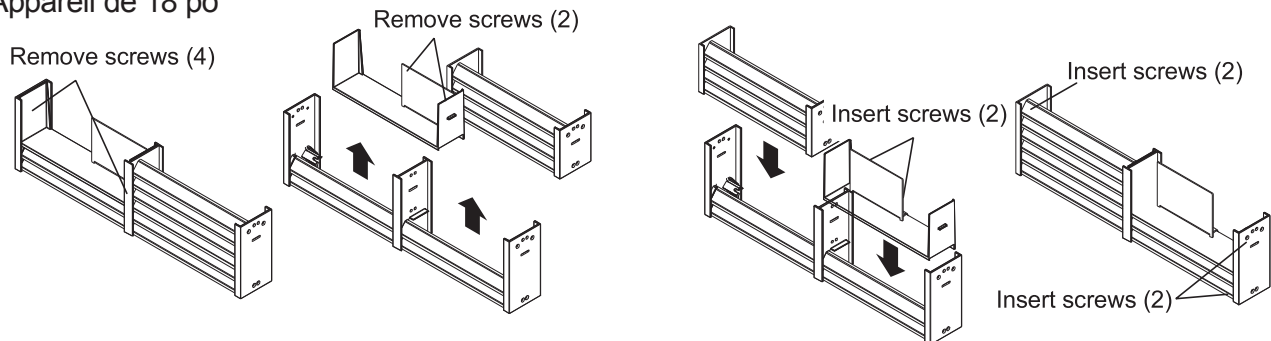


6. Dévissez et retirez le couvercle de ventilation au bas de l'appareil. (Dans le cas des refroidisseurs à vin en colonne, le couvercle de ventilation a été retiré à l'étape 2.)

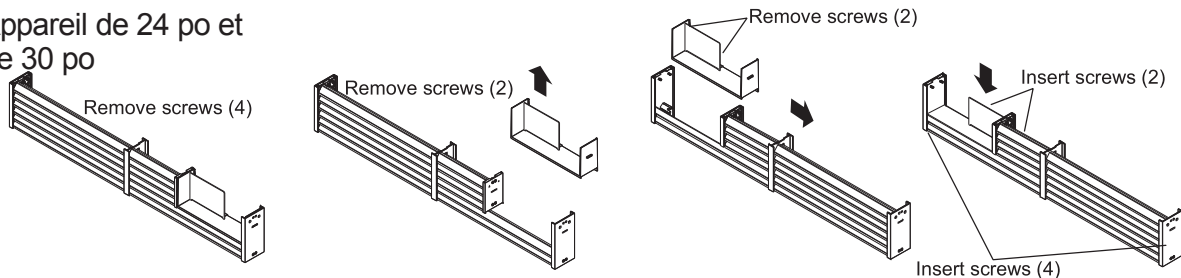


7. Suivez les schémas ci-dessous pour démonter et remonter la grille de ventilation. Dans le cas des réfrigérateurs/congélateurs en colonne, vissez le couvercle de ventilation sur l'appareil. (Dans le cas des refroidisseurs à vin en colonne, le couvercle de ventilation est réinstallé à l'étape 13.)

Appareil de 18 po

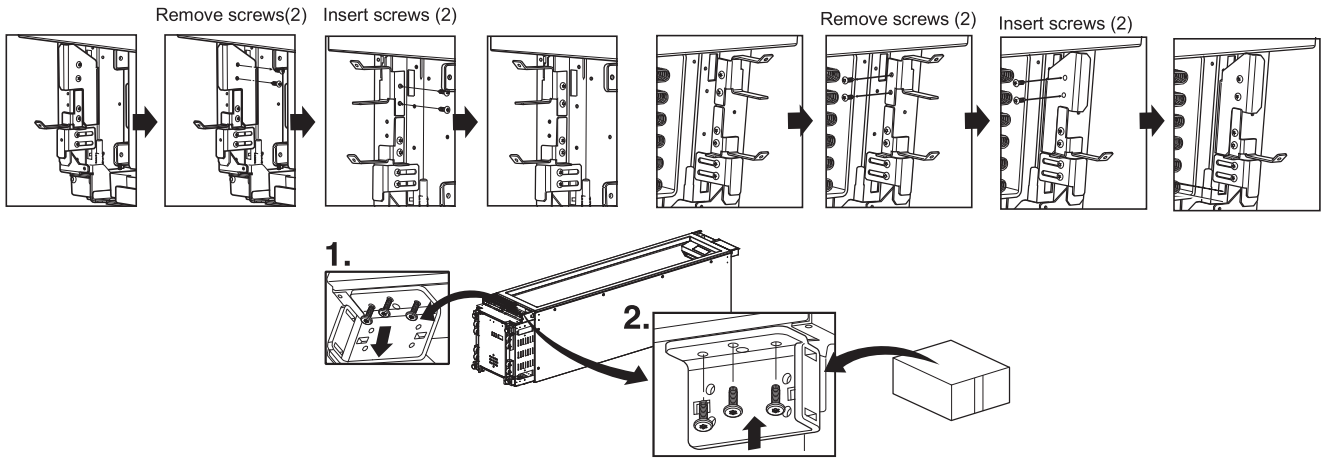


Appareil de 24 po et de 30 po

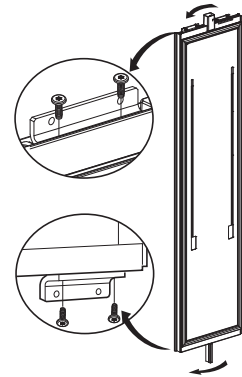




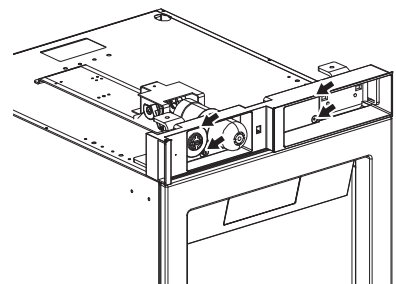
8. Retirez la douille de charnière inférieure. Installez la douille de charnière fournie avec les accessoires d'installation sur le côté opposé. Gardez toutes les pièces au cas où vous voudriez inverser la porte ultérieurement.



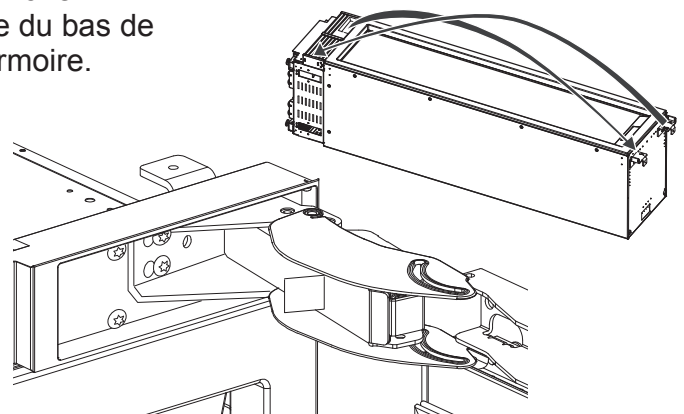
9. Sur la porte, retirez deux vis du support de charnière supérieur et installez le support sur le côté opposé de la porte. Répétez cette étape avec le support de charnière inférieur.



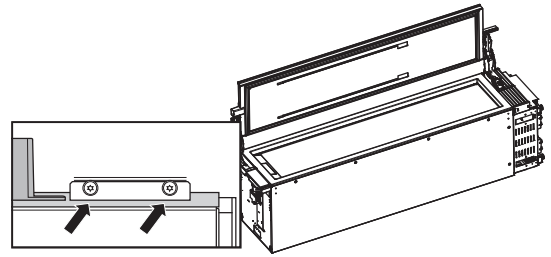
10. Faites pivoter le couvercle avant de 180 degrés et réinstallez-le en haut de l'armoire.



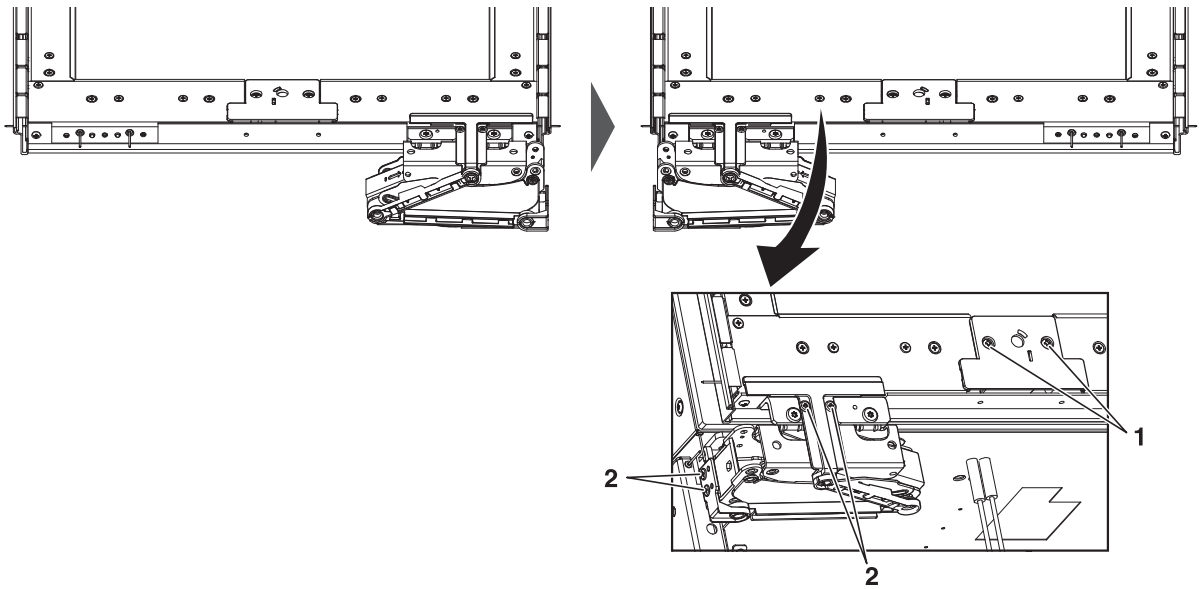
11. Installez la charnière que vous avez retirée du haut de l'armoire sur le côté opposé au bas de l'armoire. Installez la charnière que vous avez retirée du bas de l'armoire sur le côté opposé en haut de l'armoire.



12. Insérez deux vis en haut et en bas de la porte pour remettre la porte en place.

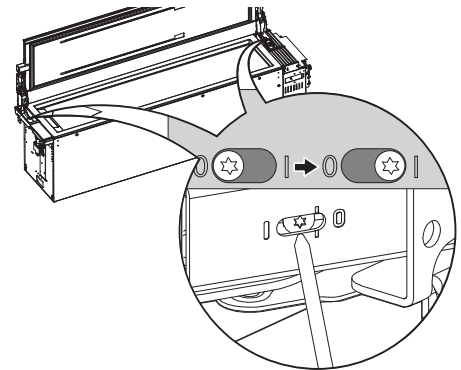


13. (Pour les refroidisseurs à vin en colonne seulement)  
Remettez en place le couvercle de la carte de circuit imprimé (1) et les deux vis. Utilisez quatre vis pour installer la tige sur la charnière (2) du côté opposé à celui d'où il a été retiré. Réinstallez le couvercle de ventilation réassemblé à l'étape 7.



14. Rétablissez la tension du ressort de la charnière à l'aide de l'embout T20 fourni pour faire tourner la vis de tension de O à I.

15. Placez l'appareil en position verticale. Le cordon d'alimentation peut être branché, mais attendez 24 heures avant de mettre l'appareil sous tension.

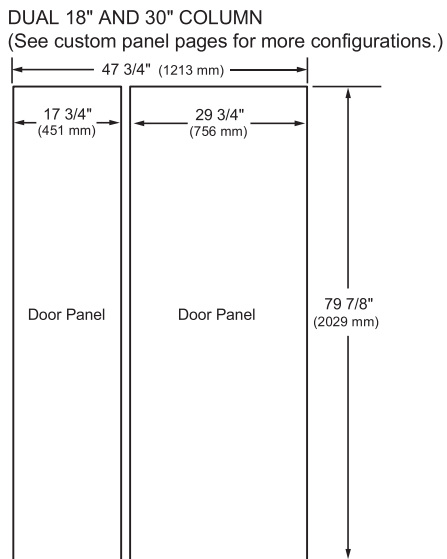




## Installation encastrée côte à côte

### DÉGAGEMENTS POUR L'INSTALLATION ENCASTRÉE

**REMARQUE :** Lors de l'installation d'appareils ayant une cloison entre eux, suivez la procédure d'installation standard. La taille minimale de la cloison est de 6 po (15,2 cm) pour éviter les interférences entre les portes.



### REMARQUE :

Lorsque vous installez deux appareils côte à côte avec une porte s'ouvrant vers la gauche et une vers la droite, un dégagement de 1/16 po (2 mm) est requis entre les appareils. Cela s'applique à la fois pour les nouvelles installations et les installations après-coup.

Dans le cas d'une installation encastrée côte à côte, un ensemble de raccord doit être utilisé pour unir les appareils.

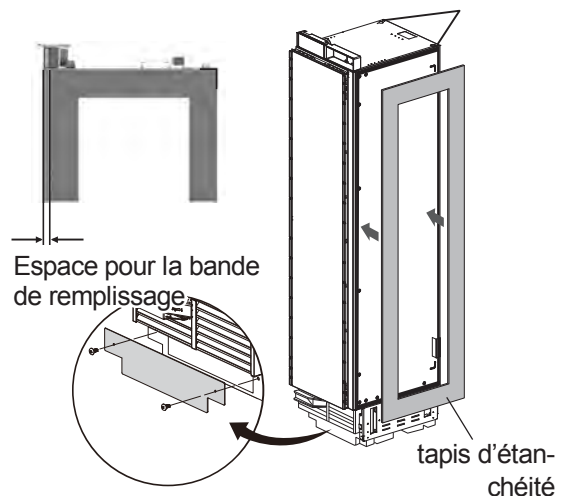
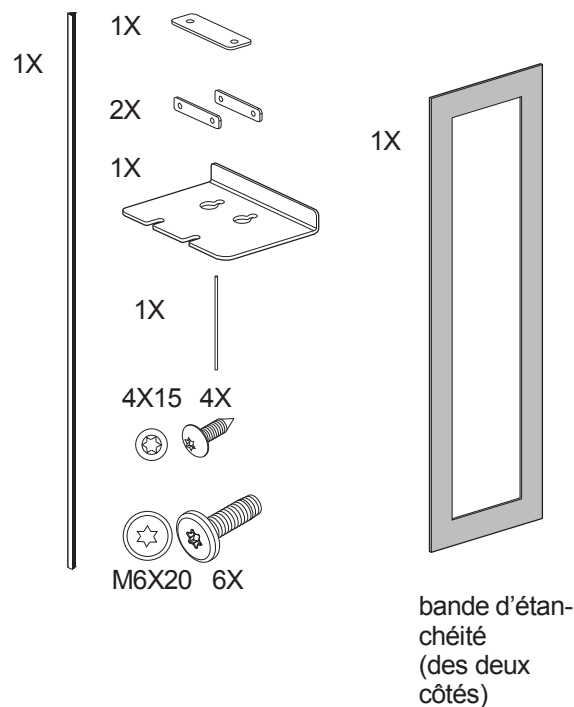
Un ensemble de raccord est inclus avec tous les congélateurs en colonne.

L'ensemble contient un tapis d'étanchéité qui empêche la condensation de se former entre les deux appareils.

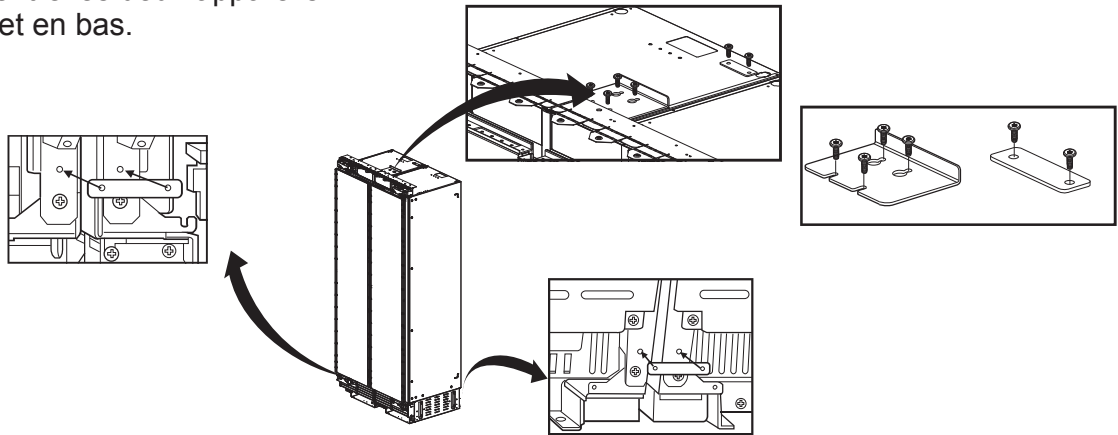
1. Déballez l'ensemble de raccord et assurez-vous qu'il ne manque aucun accessoire.
2. Placez les appareils à proximité l'un de l'autre dans la configuration d'installation voulue.
3. Retirez les panneaux inférieurs des deux appareils.
4. Sur le côté du congélateur qui fait face au réfrigérateur, fixez le tapis d'étanchéité fourni. (Le tapis d'étanchéité doit être situé entre les deux appareils après leur juxtaposition.)

Installez le tapis d'étanchéité gris sur les bandes d'étanchéité noires préinstallées de manière à ce que le bord du tapis soit au même niveau que le bord arrière du congélateur. Cela laissera un petit espace libre sur le bord avant pour insérer la bande de remplissage entre les deux appareils.

Vous pouvez vous procurer des ensembles de raccord supplémentaires auprès de Signature Kitchen Suite (numéro de pièce SKSFJ800P).



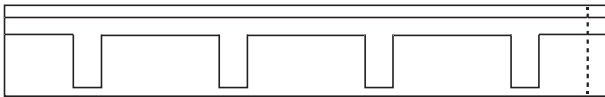
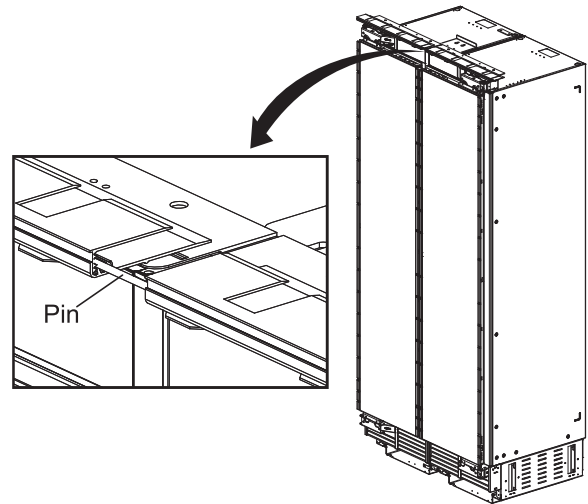
5. Placez les appareils côte à côte. Fixez les deux appareils ensemble en installant des équerres de fixation entre les deux appareils en haut et en bas.



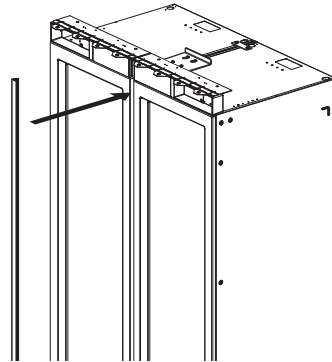
6. Insérez la goupille fournie dans les deux rails de recouvrement en haut des appareils combinés.

**REMARQUE :**

Si vous faites l'installation après-coup des colonnes de 18 et de 30 po dans un encastrement de 47 1/2 po de large, coupez 1/4 po sur l'un des côtés des deux rails de recouvrement.



7. Insérez la bande de remplissage dans l'espace entre les appareils. La bande de remplissage est incluse dans l'ensemble de raccord.



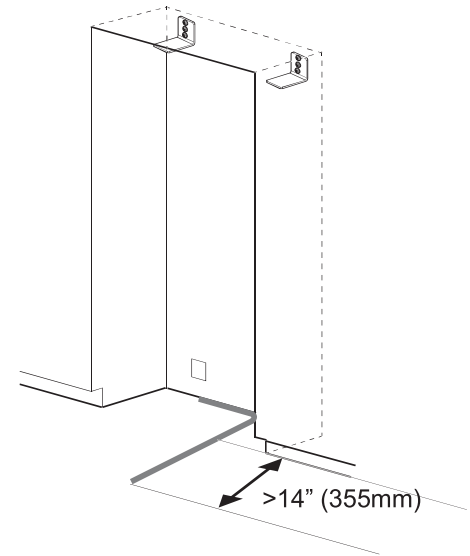
## Préparation au raccordement de la conduite d'eau

### REMARQUE :

Fermez la vanne d'arrêt de l'entrée d'eau principale pour prévenir les inondations et les dommages matériels.

Installez la conduite d'eau.

Respectez toujours les dimensions indiquées pour éviter d'endommager la conduite d'eau lors de la mise en place de l'appareil.

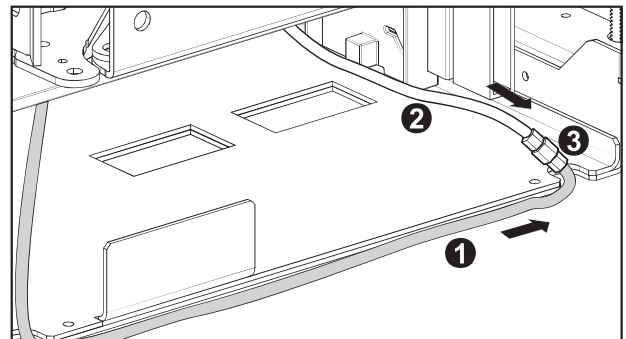
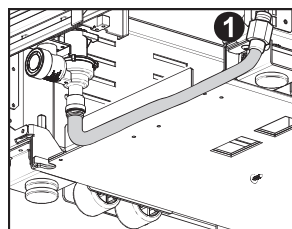
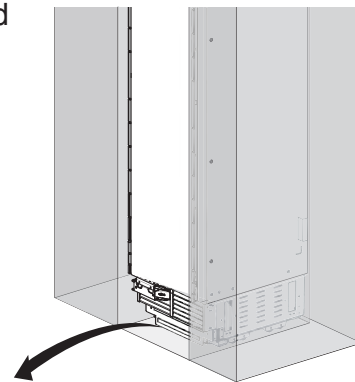


## Raccordement de la conduite d'eau

### REMARQUE :

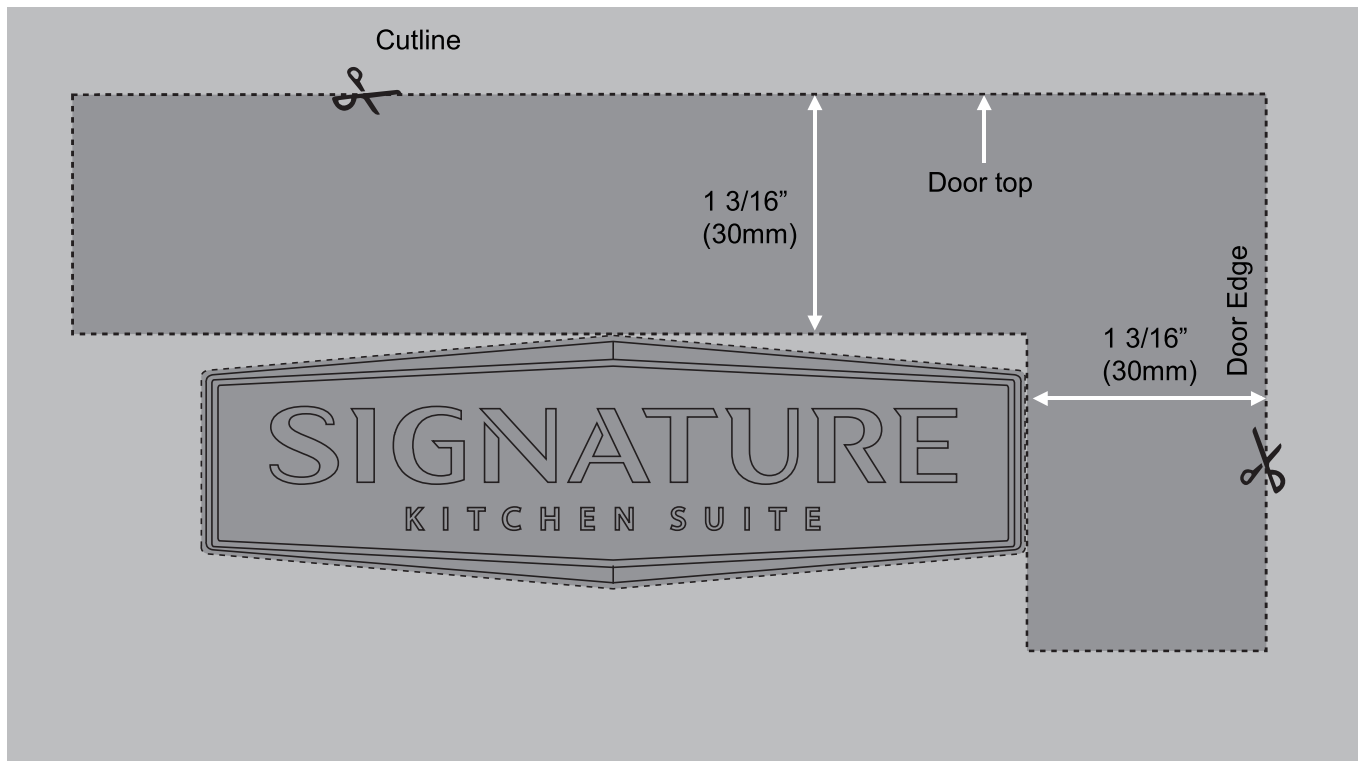
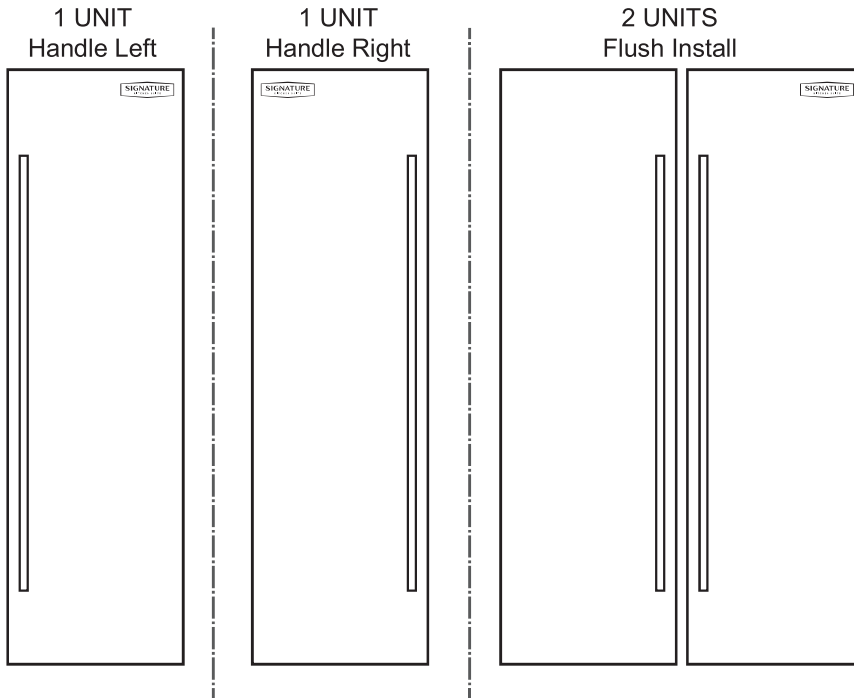
Lorsque vous courbez la conduite d'eau, ne la pliez pas, sans quoi il y a un risque de fuites et de dégâts d'eau.

1. Retirez le capuchon du raccord de l'appareil (1).
2. Courbez la conduite d'eau en fonction de l'emplacement du raccord sur l'appareil (2).
3. Poussez sur l'écrou-raccord et scellez-le sur la conduite d'eau.
4. Insérez l'extrémité de la conduite d'eau dans le raccord de l'appareil et vissez l'écrou-raccord (3). Serrez-le à la main.
5. À l'aide de la clé à fourche, serrez l'écrou-raccord. Ne le serrez pas trop.



## Fixation de l'insigne

- Pour installer l'insigne, tracez ou découpez le gabarit ci-dessous et placez-le selon les agencements du panneau ci-dessous.
- Alignez le gabarit sur le coin supérieur le plus près de la charnière et placez l'insigne.





ESPAÑOL

## Guía de instalación para refrigeración integrable

# REFRIGERACIÓN EMPOTRABLE

SKSCF1801P  
SKSCF2401P  
SKSCF3001P  
SKSCW181RP

SKSCR2401P  
SKSCR3001P  
SKSCW241RP

[www.signaturekitchensuite.com](http://www.signaturekitchensuite.com)

Copyright © 2017 - 2018 Signature Kitchen Suite. Todos los derechos reservados.

# Índice

SAFETY INSTRUCTIONS.....	3	Installation .....	23
Before Installation .....	6	Unpacking .....	24
Choosing the Install Location .....	6	Moving the Appliance .....	25
Installation options .....	9	Special Circumstances .....	25
– Dimensions and Clearances		Product Dimensions .....	26
SKSCF1801P – 18" INTEGRATED FREEZER COLUMN		A	
SKSCW181RP – 18" INTEGRATED WINE COLUMN .....	10	Installing the Anti-tip Brackets .....	29
SKSCF2401P – 24" INTEGRATED FREEZER COLUMN		Protecting Edges of Enclosure .....	30
SKSCR2401P – 24" INTEGRATED REFRIGERATOR COLUMN		Installing Appliance in Enclosure .....	31
SKSCW241RP – 24" INTEGRATED WINE COLUMN .....	12	B	
SKSCF3001P – 30" INTEGRATED FREEZER COLUMN		Aligning and Leveling the Appliance .....	32
SKSCR3001P – 30" INTEGRATED REFRIGERATOR COLUMN .....	14	Attaching the Appliance to the Enclosure .....	34
– Custom Panels		Attaching the Toe Kick Panel .....	35
SKSCF1801P – 18" INTEGRATED FREEZER COLUMN		C	
SKSCW181RP – 18" INTEGRATED WINE COLUMN .....	16	Installing Door Panels .....	37
SKSCF2401P – 24" INTEGRATED FREEZER COLUMN		Adjusting Door Panels .....	38
SKSCR2401P – 24" INTEGRATED REFRIGERATOR COLUMN		Installing Door Trim .....	38
SKSCW241RP – 24" INTEGRATED WINE COLUMN .....	18	Attaching Air Separator .....	39
SKSCF3001P – 30" INTEGRATED FREEZER COLUMN		– Special Installations	
SKSCR3001P – 30" INTEGRATED REFRIGERATOR COLUMN .....	20	Optional Frame Kit Accessory .....	39
Required Accessories and Tools .....	22	Adjusting the Door Spring .....	40
		Adjusting the Door Stop .....	40
		Water Filter Bypass .....	40
		Reversing the Door .....	41
		Side-by-Side Flush Installation .....	45
		Preparing to Connect the Water Line .....	47
		Connecting the Water Line .....	47
		Attaching the Badge .....	48

# INSTRUCCIONES DE SEGURIDAD


## INSTRUCCIONES IMPORTANTES DE SEGURIDAD


**Esta guía contiene muchos mensajes de seguridad importantes.**

**Siempre lea y obedezca todos los mensajes de seguridad.**

Este es el símbolo de alerta de seguridad. Aparece en los mensajes de seguridad que informan sobre peligros que pueden provocar daños o la muerte a usted o a otras personas o dañar el producto.

Todos los mensajes de seguridad estarán precedidos por el símbolo de alerta de seguridad, y las palabras de indicación de peligro ADVERTENCIA o PRECAUCIÓN. Estas palabras significan:

 **ADVERTENCIA** No seguir las instrucciones puede provocar daños o la muerte.

 **PRECAUCIÓN** Indica una situación de peligro inminente que, de no evitarse, puede provocar lesiones leves o moderadas o daños al producto.


Todos los mensajes de seguridad identificarán el peligro, le indicarán cómo reducir la posibilidad de lesiones y le dirán qué puede suceder si no se siguen las instrucciones.

 **ADVERTENCIA**

### PELIGRO DE VUELCO

Se necesitan dos o más personas para mover e instalar el refrigerador. Para evitar que el refrigerador se vuelque, instale los soportes antivuelco (suministrados). No seguir las instrucciones de instalación del refrigerador puede provocar lesiones graves o la muerte.



 **ADVERTENCIA** Para reducir el riesgo de incendio, descarga eléctrica o lesiones personales al usar este producto, se deben seguir las precauciones básicas de seguridad, incluidas las siguientes. Lea todas las instrucciones antes de usar este aparato.

## Instalación

- Estos productos no están diseñados para ser utilizados como unidades independientes. Si los emplea como unidades independientes, se corre riesgo de vuelco, lesiones personales y daños al producto o la propiedad.
- No instale el refrigerador cerca de una cocina o calentador de agua que funcionen con gas, ni cerca de otra fuente de ignición que pueda causar fugas de gas. No instale el producto expuesto a la luz solar directa. Instale el producto en un área bien ventilada.
- Asegúrese de que las dimensiones de la estructura de los gabinetes permitan una circulación de aire suficiente en los lados y en la parte posterior del producto. No bloquee la entrada de aire frontal. El incumplimiento de estas instrucciones puede causar un mal funcionamiento del producto.
- La estructura de los gabinetes debe estar construida con materiales lo suficientemente resistentes como para evitar daños durante la instalación y el uso frecuente.

- Los materiales del gabinete deben poder soportar el calor y la humedad que se producen durante la operación y el uso del producto sin sufrir retorcimientos ni deformaciones.
- Instale el producto en una superficie firme y nivelada que pueda soportar el peso del producto sin doblarse. El producto debe quedar nivelado horizontal y verticalmente.
- Mantenga a los niños alejados del área durante la instalación.
- No utilice un cable de extensión ni una regleta multicontactos con este producto.
- No instale el refrigerador en un lugar húmedo o donde quede expuesto al agua corriente. Puede producirse deterioro del aislamiento de las piezas eléctricas, lo cual, a su vez, puede provocar riesgos de descarga eléctrica.
- Conéctelo solo a agua potable. El agua no potable puede causar riesgos para la salud.
- Si se lo conecta a un circuito protegido por fusibles, utilice un fusible de retardo.

## Conexión eléctrica

### Utilice una toma de corriente dedicada.

- La conexión de varios dispositivos a una misma toma de corriente puede provocar un incendio.

### Enchufe el cable de alimentación asegurándose de que quede hacia abajo.

De lo contrario, podría dañar el enchufe o el cable y provocar un incendio o una descarga eléctrica.

### Al instalar o mover el refrigerador, tenga cuidado de no retorcer ni dañar el cable de alimentación. No apriete ni aplaste el cable o el enchufe cuando empuje el refrigerador en su sitio.

De lo contrario, podría producirse un incendio o una descarga eléctrica.

### No permita que el cable de alimentación se doble, aplaste o dañe de otra forma. No coloque el cable de alimentación bajo objetos pesados como muebles, otros electrodomésticos o áreas de alto tráfico.

Si lo hace, puede dañar el cable de alimentación y provocar un incendio o una descarga eléctrica.

### No extienda ni modifique la longitud del cable de alimentación.

Use solamente un repuesto exacto de fábrica para evitar problemas eléctricos, incendios o descargas eléctricas.

### Desconecte el cable de alimentación antes de limpiar o mover el refrigerador.

- Si no lo hace, puede producirse una descarga eléctrica o usted puede sufrir lesiones.
- Presione el botón ENCENDIDO durante 3 segundos para apagar la alimentación en el panel de visualización.

### No tire del cable ni toque el enchufe con las manos húmedas.

Si lo hace, puede producirse una descarga eléctrica o usted puede sufrir lesiones.

### Asegúrese de que el enchufe esté limpio y seco e insértelo firmemente en la toma de corriente de la pared.

El polvo, el agua o una conexión floja pueden provocar un incendio o una descarga eléctrica.

### No desenchufe el refrigerador tirando del cable.

Si lo hace, podría provocar una descarga eléctrica o un cortocircuito que, a su vez, podrían provocar un incendio.

### No utilice el enchufe ni el cable de alimentación si presentan daños o si la toma de corriente está dañada.

Si lo hace, podría provocar una descarga eléctrica o un cortocircuito que, a su vez, podrían provocar un incendio.



**Espere 5 minutos o más para volver a conectar el enchufe o la alimentación.**

Permita que el compresor tenga tiempo de concluir el ciclo antes de reiniciar.

**Si el cable de alimentación está dañado, debe ser reemplazado por el fabricante o su agente de servicio técnico o por una persona con calificaciones similares a fin de evitar cualquier peligro.**



## PRECAUCIÓN

**No retire la tapa del dispenser automático de hielo.**

El mecanismo interno de la fábrica de hielo puede causar lesiones si se lo manipula.

**No meta las manos debajo del refrigerador.**

Los bordes filosos, los ventiladores y los cables pueden provocar lesiones.

**Conserve estas instrucciones para uso del inspector local.**

**Respete todos los códigos y las ordenanzas vigentes.**

**Instalador: deje estas instrucciones al usuario.**

**Usuario: guarde estas instrucciones con el manual del propietario para futuras consultas.**

## Aspectos generales

Estas instrucciones de instalación están destinadas a ser utilizadas por instaladores calificados. Todas las conexiones de agua, energía eléctrica y puesta a tierra deben cumplir con los códigos y las ordenanzas locales y deben ser realizadas por personal acreditado en los casos en que sea necesario. En ausencia de un código local:

- En los EE. UU., conforme al Código Eléctrico Nacional, ANSI/NFPA 70: última edición/códigos locales y/o estatales y municipales.
- En Canadá, conforme al Código Eléctrico Canadiense C22.1: última edición/códigos locales y/o provinciales y municipales.

El electrodoméstico es muy pesado:

Refrigerador de 30" aprox. 386 lb/175 kg

Refrigerador de 24" aprox. 324 lb/147 kg

Congelador de 30" aprox. 403 lb/183 kg

Congelador de 24" aprox. 346 lb/157 kg

Congelador de 18" aprox. 304 lb/138 kg

Cava de 18" aprox. 306 lb/139 kg

Cava de 24" aprox. 357 lb/162 kg

# Antes de instalar

## ADVERTENCIA

No almacene ni instale el aparato donde esté expuesto a:

- la intemperie
- daños por la acción del agua
- temperaturas menores de 32 °F (0 °C)

## Elección del sitio para la instalación

### Temperatura y humedad

El aparato debe instalarse en un área seca y bien ventilada.

La temperatura ambiente debe permanecer entre 55 °F (13 °C) y 110 °F (43 °C) para evitar el mal funcionamiento del electrodoméstico.

No instale el producto en lugares expuestos a la luz solar directa o cerca de una fuente de calor, como un horno o un radiador.

## Dispositivos antivuelco

### **ADVERTENCIA: Peligro de vuelco**

- El aparato es muy pesado y puede volcarse si se abre la puerta antes de que se haya instalado de forma segura.
- Coloque los soportes antivuelco suministrados para evitar que el aparato se vuelque. El método más seguro para instalarlo en una posición estable es utilizar los dispositivos antivuelco que se suministran.

No abra la puerta del aparato, a menos que aún esté en el pálet o que los soportes antivuelco estén bien enganchados.

Si la estructura de los gabinetes es lo suficientemente resistente, fijar el aparato a la pared superior y a las paredes laterales del gabinete puede proporcionar estabilidad adicional, siempre que la estructura esté firmemente conectada a la pared posterior. En caso de duda, consulte a un arquitecto o a un ingeniero de estructuras.

## Estructura de los gabinetes

- El panel sobre el electrodoméstico debe estar construido en un material sólido (no de MDF) que cuente con un grosor de 5/8" (16 mm) como mínimo.

Las paredes laterales de la cavidad o de la estructura deben estar al ras.

- Las 4 pulgadas (100 mm) frontales de la superficie interior (remate del mueble) quedarán visibles cuando las puertas estén abiertas. Asegúrese de que esta área esté terminada con, como mínimo, 4 pulgadas de profundidad.
- Siga las especificaciones de instalación del gabinete para garantizar una instalación sin problemas.
- Por sobre todo, la estructura de los gabinetes no puede estar en falsa escuadra. Use un nivel de burbuja o mida las diagonales de la abertura para asegurarse de que las esquinas estén en escuadra.
- El aparato se fija a los lados y en la parte superior a la estructura o a los gabinetes adyacentes. Asegúrese de que la estructura o los gabinetes adyacentes se encuentren bien fijados al piso o la pared.

## Piso

### ADVERTENCIA

- El piso del área de instalación debe ser firme, nivelado y rígido para posibilitar una instalación segura y lograr el mejor rendimiento.
- No instale el aparato en una plataforma o estructura elevada.
- La estructura de debajo del aparato debe tener la capacidad de soportar el peso del mismo sin inclinarse ni doblarse.
- Para obtener el mejor rendimiento y evitar fugas, nivele el aparato.

## Requisitos eléctricos

### ADVERTENCIA

Peligro de descarga eléctrica

- Conecte a una toma de corriente de 3 clavijas con conexión a tierra.
- No quite el terminal de tierra.
- No utilice un adaptador.
- No use un cable de extensión.

El incumplimiento de estas instrucciones puede provocar la muerte, incendios o descargas eléctricas.

Observe todos los códigos estatales y locales o el Código Nacional de Electricidad (NEC).

El aparato viene con un cable de alimentación de 3 alambres homologado por UL.

El aparato requiere una toma de corriente de 3 alambres.

La toma de corriente debe ser instalada únicamente por un electricista acreditado.

## Conexión a tierra

Este aparato debe estar conectado a tierra. En caso de mal funcionamiento o avería, la conexión a tierra reducirá el riesgo de descargas eléctricas al proporcionar una ruta de menor resistencia para la corriente eléctrica.

**ADVERTENCIA:** la conexión incorrecta del conductor de puesta a tierra del equipo puede provocar descargas eléctricas. Si tiene dudas sobre si el electrodoméstico ha sido conectado a tierra correctamente, llame a un electricista calificado o un técnico del servicio técnico para que lo revisen.

### NOTA

Algunas regulaciones locales pueden requerir una conexión a tierra independiente. En tales casos, la abrazadera, el tornillo y el cable a tierra requeridos para la conexión a tierra se encuentran disponibles como accesorios que deben comprarse por separado.

Nunca conecte a tierra el aparato mediante tuberías de plástico, tuberías de gas ni tuberías de agua.

## Conexión de agua



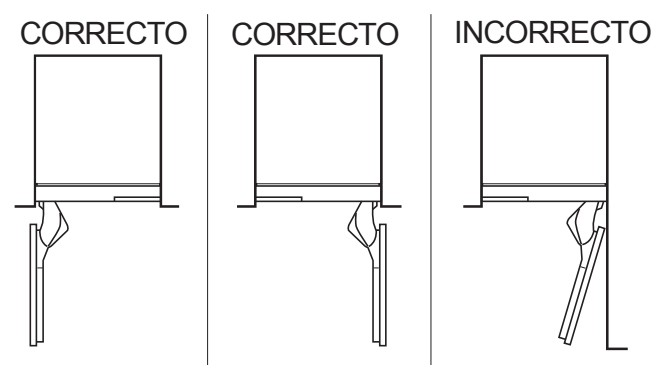
### PRECAUCIÓN

- Conecte el aparato solamente a agua potable.
- Se necesita una conexión de agua fría para el funcionamiento de la fábrica de hielo automática. La presión del agua debe ser de entre 20 y 120 psi (de 1.38 a 8.27 bar).
- La instalación debe cumplir con las regulaciones locales para fontanería.
- Se debe instalar una válvula de corte independiente para la conexión de agua del aparato.
- No emplee una válvula autoperforante.
- No instale la válvula de corte para el agua detrás del aparato. La válvula de corte debe ser de fácil acceso.
- Instale la conexión de agua en el área que se muestra en el diagrama debajo de Dimensiones y espacio libre. La línea de suministro de agua puede ubicarse en el lado derecho, en el lado izquierdo o en el piso. El diámetro exterior máximo de la línea de suministro (sin conectores) es de 3/8" (9.5 mm).

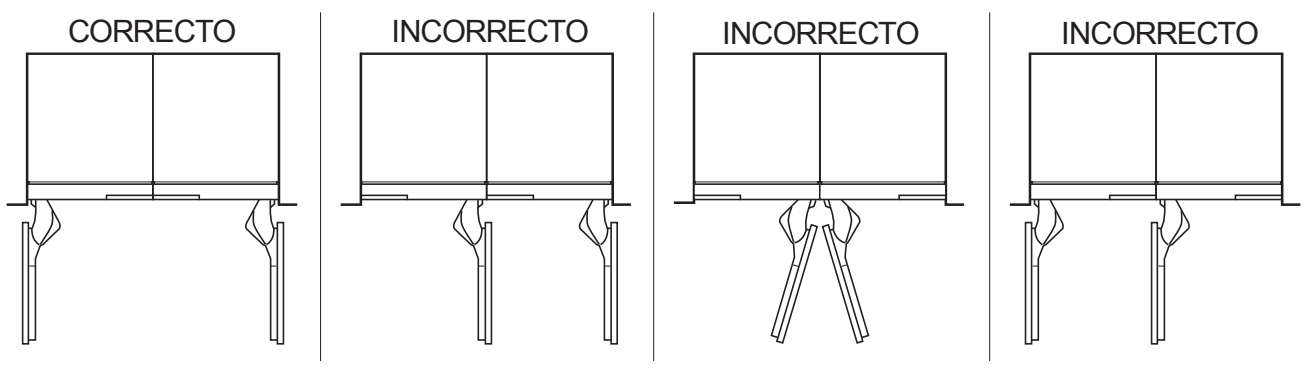
# Opciones para la instalación

Existen muchas opciones de instalación diferentes.  
Las limitaciones solo están dadas por el diseño de la cocina.

## Aparato individual

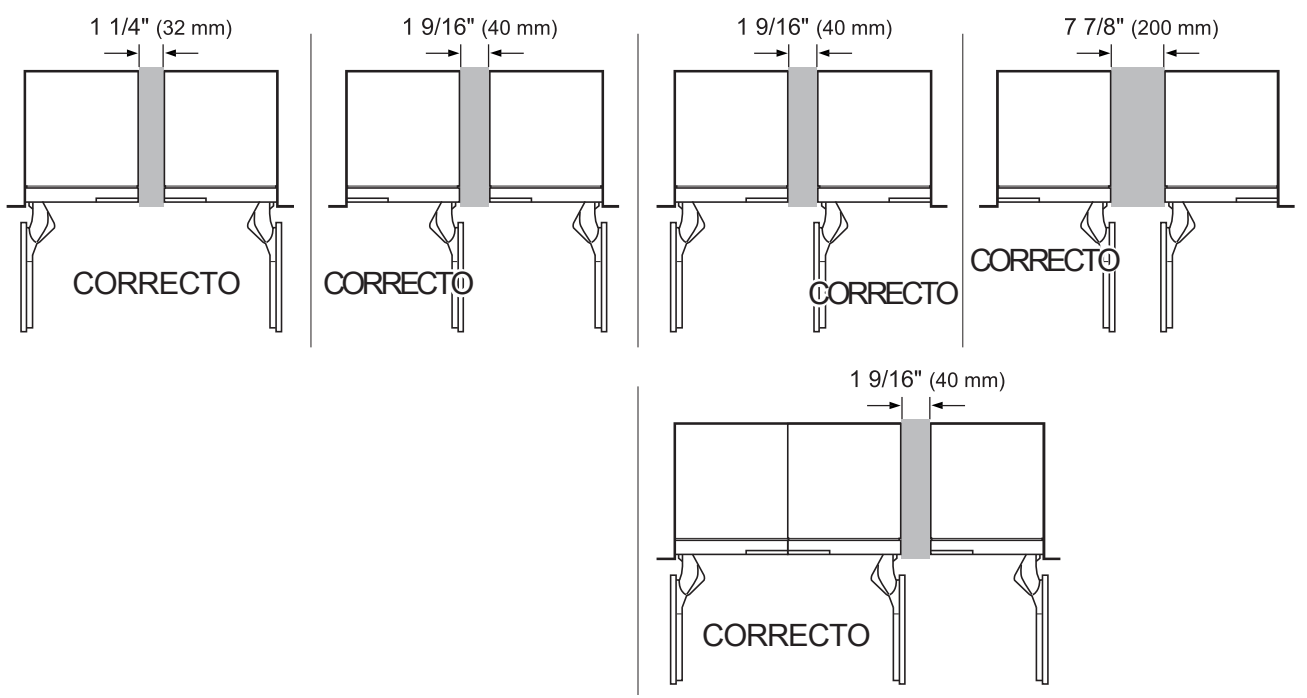


## Lado a lado (par)



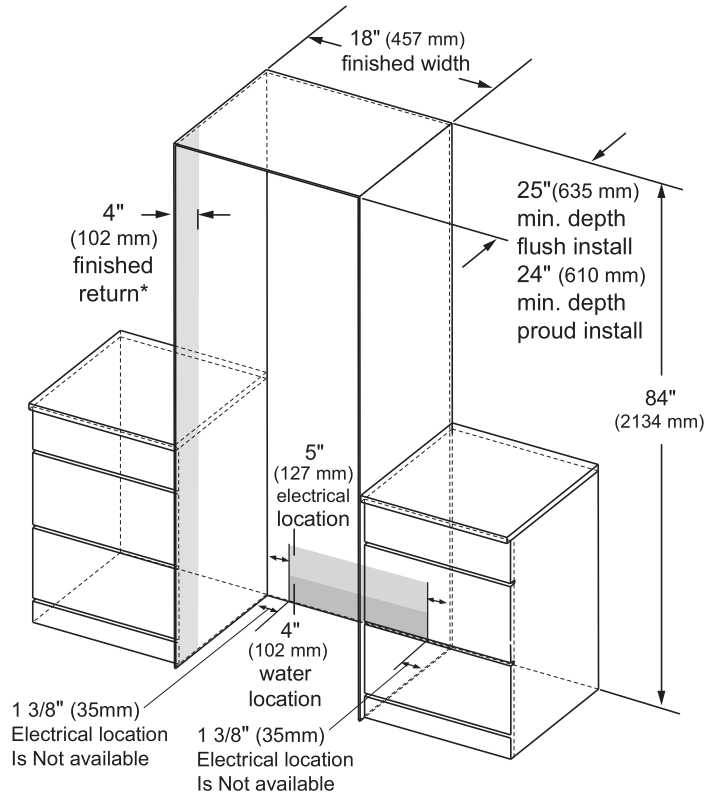
## Aparatos individuales con partición

Grosor mínimo para la partición: 5/8" (16 mm)



## SKSCF1801P – COLUMNA CONGELADOR INTEGRABLE DE 18" SKSCW181RP – COLUMNA CAVA INTEGRABLE DE 18"

### DIMENSIONES DE LA ABERTURA – INSTALACIÓN PARA UNA COLUMNA AL RAS O SALIENTE



#### NOTA

La columna congelador/cava puede instalarse de manera que sobresalga o al ras. Al ras: con una abertura de una profundidad de 25" (635 mm), la cara frontal de la columna congelador/cava queda al ras con gabinetes adyacentes de 25" (635 mm) de profundidad. Saliente: con una abertura de una profundidad de 24" (610 mm), la cara frontal de la columna congelador/cava se extiende aproximadamente 3/4" (19 mm) hacia afuera, sobrepasando los gabinetes adyacentes de 24" (610 mm) de profundidad.

- Se recomienda un remate final mínimo de 4" (102 mm) que coincida con el exterior del gabinete en todos los laterales y en la parte superior de la abertura de recorte. El área sombreada queda a la vista después de la instalación.

#### INSTALACIÓN ELÉCTRICA

Se requiere una fuente de alimentación de 115 V, 60 Hz y 15 o 20 A. Se recomienda un circuito de derivación o disyuntor individual debidamente conectado a tierra. Instale una toma de corriente de 3 clavijas empotrada en la pared posterior y adecuadamente conectada a tierra. La instalación eléctrica debe estar ubicada en la pared posterior como se muestra.

Nota: no se recomienda el uso de un GFI (interruptor de falla a tierra).

#### LÍNEA DE AGUA

Se requiere un suministro de agua fría para el funcionamiento automático de la fábrica de hielo. La presión del agua debe ser de entre 20 y 120 psi.

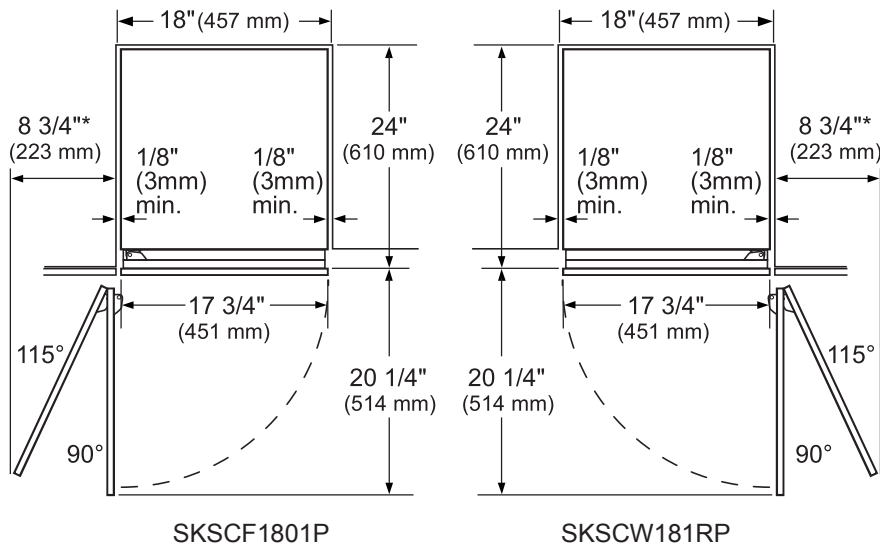
La tubería debe ser lo suficientemente larga como para extenderse hasta la parte frontal del congelador. Su longitud debe permitir que forme una curva que desemboque en la entrada para el suministro de agua.

La línea de agua puede pasar por una abertura a través del piso o de la pared posterior.

Instale una válvula de corte entre la válvula de agua de la fábrica de hielo y el suministro doméstico de agua fría.

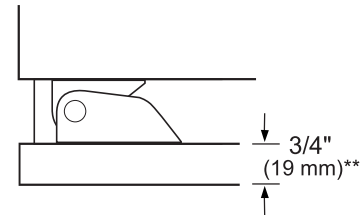
## ESPACIOS LIBRES EN LA INSTALACIÓN

### TOP VIEW



\*Door handle must be added to this dimension.

\*\*Varies depending on the thickness of the custom cabinet panel. The door panels in the optional Signature Kitchen Suite stainless steel door panel kit are 3/4" (19 mm) thick.



### NOTA

#### Espacios para la apertura de las puertas

La instalación debe dejar espacios con respecto a las paredes o gabinetes adyacentes. Esta columna congelador/cava está equipada con un tope de puerta de 2 posiciones.

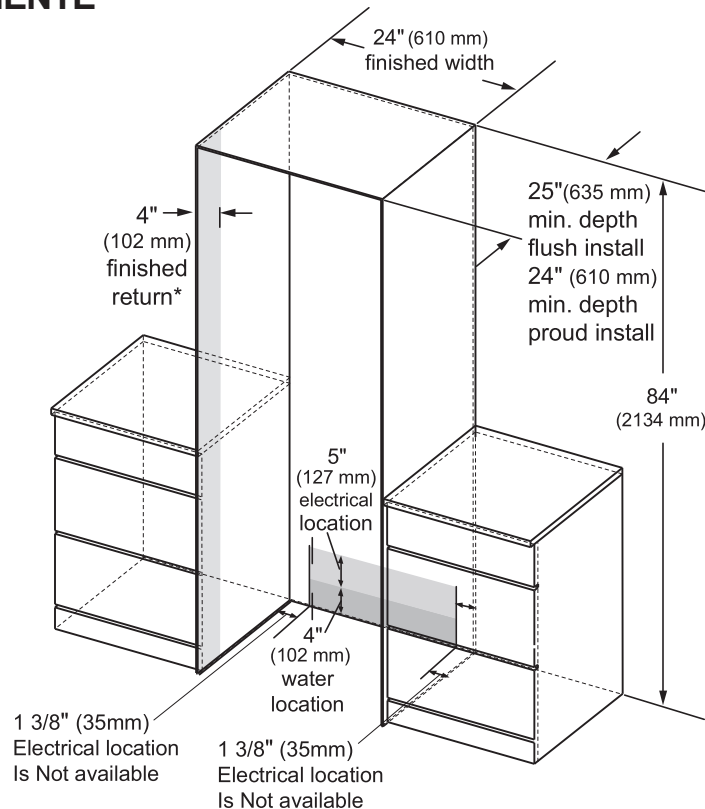
El ángulo de apertura de la puerta de 115° configurado de fábrica se puede ajustar a 90° si el espacio se encuentra limitado por gabinetes o paredes adyacentes.

#### Espacios para las manijas de las puertas

En las dimensiones donde se lo indica, debe sumarse la profundidad de la manija de la puerta a fin de determinar el espacio libre total requerido con respecto a gabinetes o paredes adyacentes. Este espacio variará dependiendo de la manija personalizada utilizada. Cuando utilice las manijas Signature Kitchen Suite o el kit de paneles de puerta de acero inoxidable Signature Kitchen Suite con manijas (accesorios opcionales), el espacio libre para las manijas de la puerta con la puerta abierta a 115° es de 11" (279 mm).

SKSCF2401P – COLUMNA CONGELADOR INTEGRABLE DE 24"  
 SKSCR2401P – COLUMNA REFRIGERADOR INTEGRABLE DE 24"  
 SKSCW241RP – COLUMNA CAVA INTEGRABLE DE 24"

**DIMENSIONES DE LA ABERTURA – INSTALACIÓN PARA UNA COLUMNA AL RAS O SALIENTE**



**NOTA**

La columna congelador/cava/refrigerador puede instalarse de manera que sobresalga o al ras. Al ras: con una abertura de una profundidad de 25" (635 mm), la cara frontal de la columna congelador/cava queda al ras con gabinetes adyacentes de 25" (635 mm) de profundidad. Saliente: con una abertura de una profundidad de 24" (610 mm), la cara frontal de la columna congelador/cava se extiende aproximadamente 3/4" (19 mm) hacia afuera, sobrepasando los gabinetes adyacentes de 24" (610 mm) de profundidad.

- Se recomienda un remate final mínimo de 4" (102 mm) que coincida con el exterior del gabinete en todos los laterales y en la parte superior de la abertura de recorte. El área sombreada queda a la vista después de la instalación.

**INSTALACIÓN ELÉCTRICA**

Se requiere una fuente de alimentación de 115 V, 60 Hz y 15 o 20 A. Se recomienda un circuito de derivación o disyuntor individual debidamente conectado a tierra. Instale una toma de corriente de 3 clavijas empotrada en la pared posterior y adecuadamente conectada a tierra. La instalación eléctrica debe estar ubicada en la pared posterior como se muestra.

Nota: no se recomienda el uso de un GFI (interruptor de falla a tierra).

**LÍNEA DE AGUA**

Se requiere un suministro de agua fría para el funcionamiento automático de la fábrica de hielo. La presión del agua debe ser de entre 20 y 120 psi.

La tubería debe ser lo suficientemente larga como para extenderse hasta la parte frontal del congelador. Su longitud debe permitir que forme una curva que desemboque en la entrada para el suministro de agua.

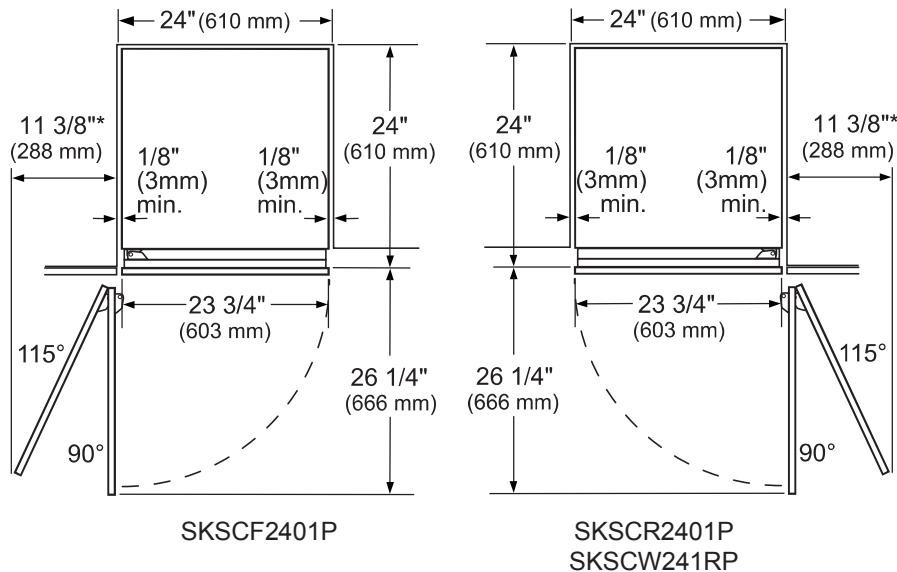
La línea de agua puede pasar por una abertura a través del piso o de la pared posterior

Instale una válvula de corte entre la válvula de agua de la fábrica de hielo y el suministro doméstico de agua fría.



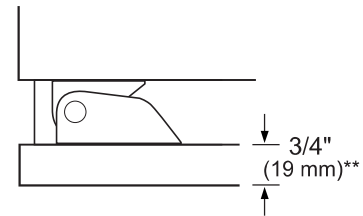
## ESPACIOS LIBRES EN LA INSTALACIÓN

### TOP VIEW



\*Door handle must be added to this dimension.

\*\*Varies depending on the thickness of the custom cabinet panel. The door panels in the optional Signature Kitchen Suite stainless steel door panel kit are 3/4" (19 mm) thick.



### NOTA

#### Espacios para la apertura de las puertas

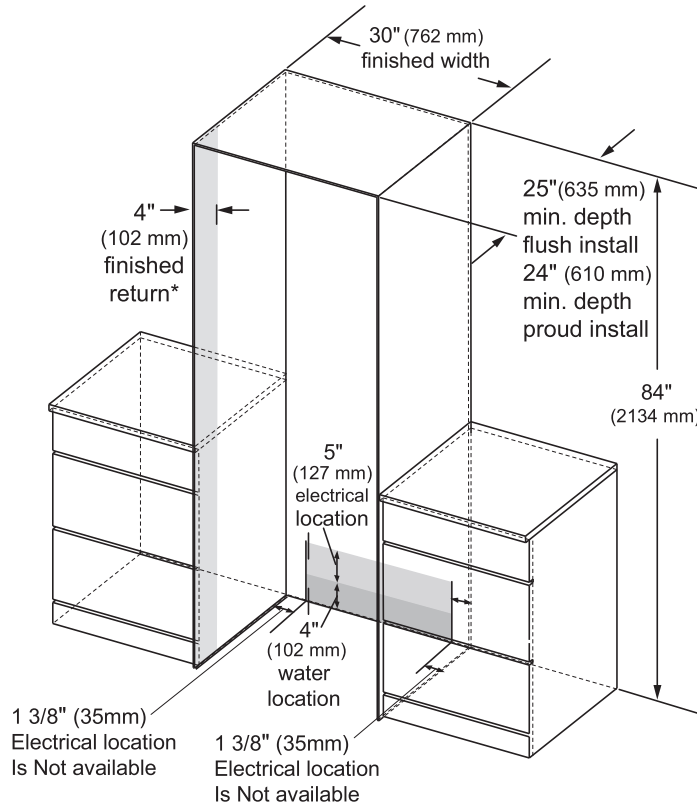
- La instalación debe dejar espacios con respecto a las paredes o gabinetes adyacentes. Estos electrodomésticos están equipados con topes de puerta de 2 posiciones.
- El ángulo de apertura de la puerta de 115° configurado de fábrica se puede ajustar a 90° si el espacio se encuentra limitado por gabinetes o paredes adyacentes.

#### Espacios para las manijas de las puertas

En las dimensiones donde se lo indica, debe sumarse la profundidad de la manija de la puerta a fin de determinar el espacio libre total requerido con respecto a gabinetes o paredes adyacentes. Este espacio variará dependiendo de la manija personalizada utilizada. Cuando utilice las manijas Signature Kitchen Suite o el kit de paneles de puerta de acero inoxidable Signature Kitchen Suite con manijas (accesorios opcionales), el espacio libre para las manijas de la puerta con la puerta abierta a 115° es de 14" (356 mm).

## SKSCF3001P – COLUMNA CONGELADOR INTEGRABLE DE 30" SKSCR3001P – COLUMNA REFRIGERADOR INTEGRABLE DE 30"

### DIMENSIONES DE LA ABERTURA – INSTALACIÓN PARA UNA COLUMNA AL RAS O SALIENTE



#### NOTA

El congelador/refrigerador puede instalarse de manera que sobresalga o al ras.

Al ras: con una abertura de una profundidad de 25" (635 mm), la cara frontal del refrigerador queda al ras con gabinetes adyacentes de 25" (635 mm) de profundidad.

Saliente: con una abertura de una profundidad de 24" (610 mm), la cara frontal del refrigerador se extiende aproximadamente 3/4" (19 mm) hacia afuera, sobrepasando los gabinetes adyacentes de 24" (610 mm) de profundidad.

\*Se recomienda un remate final mínimo de 4" (102 mm) que coincida con el exterior del gabinete en todos los laterales y en la parte superior de la abertura de recorte. El área sombreada queda a la vista después de la instalación.

#### INSTALACIÓN ELÉCTRICA

Se requiere una fuente de alimentación de 115 V 60 Hz y 15 o 20 A. Se recomienda un circuito de derivación o disyuntor individual debidamente conectado a tierra. Instale una toma de corriente de 3 clavijas empotrada en la pared posterior y adecuadamente conectada a tierra. La instalación eléctrica debe estar ubicada en la pared posterior como se muestra.

Nota: no se recomienda el uso de un GFI (interruptor de falla a tierra).

#### LÍNEA DE AGUA

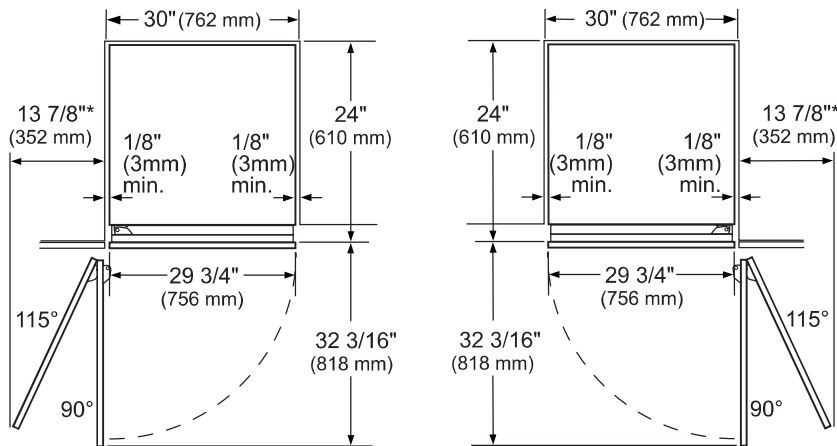
La presión del agua debe ser de entre 20 y 120 psi.

La tubería debe ser lo suficientemente larga como para extenderse hasta la parte frontal del refrigerador. Su longitud debe permitir que forme una curva que desemboque en la entrada para el suministro de agua.

La línea de agua puede pasar por una abertura a través del piso o de la pared posterior. Instale una válvula de corte entre la válvula de agua y el suministro doméstico de agua fría.

## ESPACIOS LIBRES EN LA INSTALACIÓN

### TOP VIEW

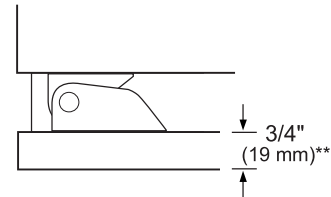


SKSCF3001P

SKSCR3001P

\* Door handle must be added to this dimension.

\*\*Varies depending on the thickness of the custom cabinet panel. The door panels in the optional Signature Kitchen Suite stainless steel door panel kit are 3/4" (19 mm) thick.



### NOTA

#### Espacios para la apertura de las puertas

La instalación debe dejar espacios con respecto a las paredes o gabinetes adyacentes. Este congelador/refrigerador está equipado con un tope de puerta de 2 posiciones. El ángulo de apertura de la puerta de 115° configurado de fábrica se puede ajustar a 90° si el espacio se encuentra limitado por gabinetes o paredes adyacentes.

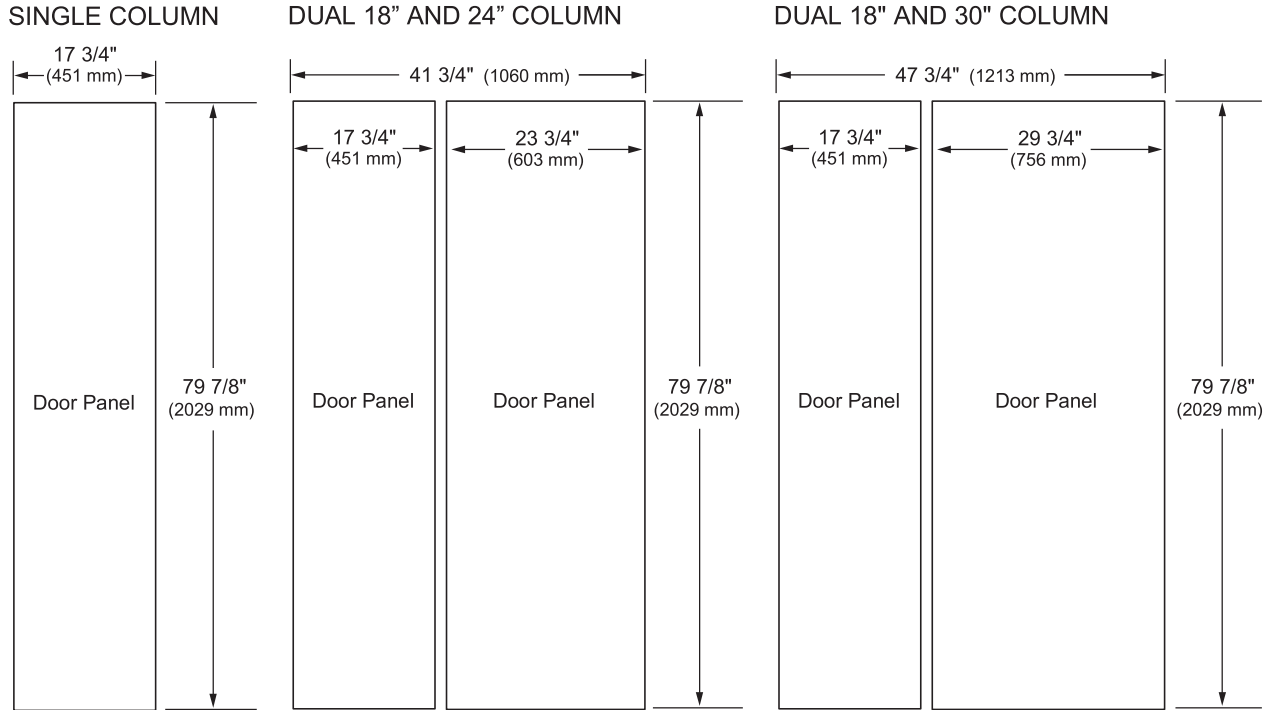
#### Espacios para las manijas de las puertas

En las dimensiones donde se lo indica, debe sumarse la profundidad de la manija de la puerta a fin de determinar los espacios libres totales requeridos con respecto a gabinetes o paredes adyacentes. Este espacio variará dependiendo de la manija personalizada utilizada. Cuando utilice las manijas Signature Kitchen Suite o el kit de paneles de puerta de acero inoxidable Signature Kitchen Suite con manijas (accesorios opcionales), el espacio libre para las manijas de la puerta con la puerta abierta a 115° es de 16" (406 mm).

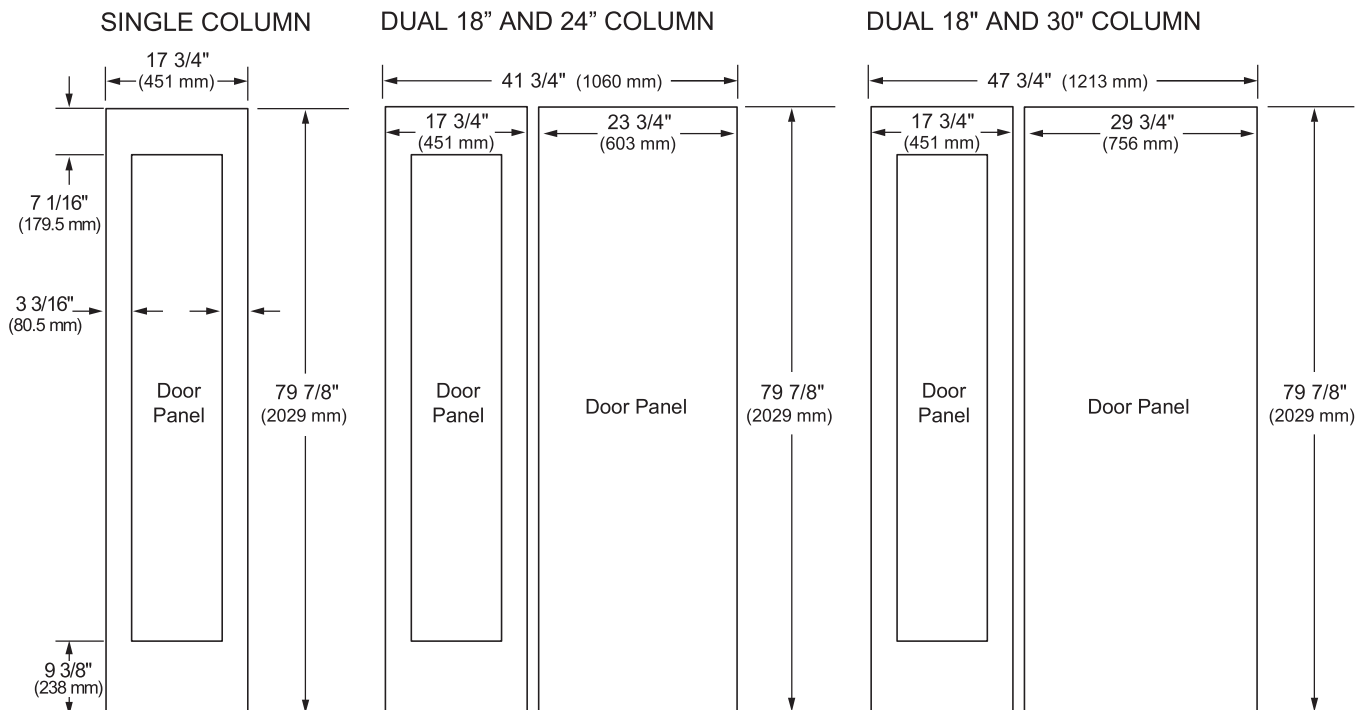
# SKSCF1801P – COLUMNA CONGELADOR INTEGRABLE DE 18" SKSCW181RP – COLUMNA CAVA INTEGRABLE DE 18"

## DIMENSIONES DEL PANEL PERSONALIZADO DE 3/4" (19 MM) - INSTALACIÓN AL RAS

### Columna congelador/refrigerador



### Columna cava



## NOTAS

Las unidades con molduras han sido diseñadas para ser personalizadas con paneles decorativos. Se requieren paneles de puerta personalizados de 3/4" (19 mm) para instalar in situ.

Para paneles personalizados: use las plantillas suministradas con las unidades para taladrar previamente los orificios para los soportes de montaje de paneles (provistos con la unidad). Los tornillos de ajuste y las instrucciones también se suministran con las unidades.

El peso máximo total del panel de la puerta para una columna de 30" es de 64 lb.

El peso máximo total del panel de la puerta para una columna de 24" es de 53 lb.

El peso máximo total del panel de la puerta para una columna de 18" es de 44 lb.

## CONSEJOS DE DISEÑO

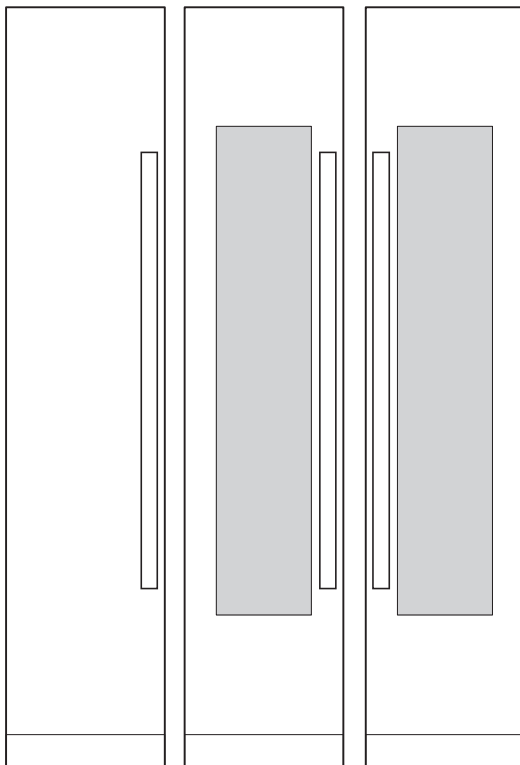
Quedarán a la vista 4" (102 mm) en los laterales interiores de la abertura. Se recomienda que el interior de la estructura de los gabinetes tenga un acabado que coincida con el del exterior. Para instalaciones de remodelación/reemplazo, se puede usar el kit de bastidor opcional.

Si se usan paneles personalizados, se deben colocar zócalos personalizados. La parte inferior de la carcasa no tiene acabado.

Manijas de la puerta: las manijas no se incluyen con las unidades.

Se requieren manijas personalizadas para la instalación. Hay manijas de aluminio pulido disponibles como accesorio opcional.

## ACCESORIOS OPCIONALES - INSTALACIÓN AL RAS O SALIENTE



SKSPK180CS  
SKSPK185CS

SKSWK185LS

SKSWK185RS

SKSPK180CS/SKSPK185CS – KIT DE PANEL DE ACERO INOXIDABLE PARA COLUMNA CONGELADOR DE 18"

SKSWK185RS/SKSWK185LS – KIT DE PANEL DE ACERO INOXIDABLE PARA COLUMNA CAVA DE 18"

Esta unidad se puede instalar con un kit opcional de panel de acero inoxidable. El kit de la columna congelador es reversible y se puede usar tanto en instalaciones con apertura de puertas hacia la derecha como hacia la izquierda. Los kits de paneles para la columna cava no son reversibles.

SKSFK800CS – KIT DE BASTIDOR

Esta unidad se puede instalar en una abertura de una profundidad de 24" (610 mm) con un kit de bastidor opcional. El kit incluye dos molduras laterales de aluminio pulido de 80" (2032 mm). Cada moldura tiene 5" (127 mm) de profundidad con una cara frontal de 1/8" (3 mm).

MANIJAS PARA USO CON PANELES PERSONALIZADOS

SKSHK310HS – Manija mediana de aluminio pulido de 31 11/16" (805 mm)

SKSHK480HS – Manija larga de aluminio pulido de 48" (1219 mm)

## CONSEJOS DE DISEÑO

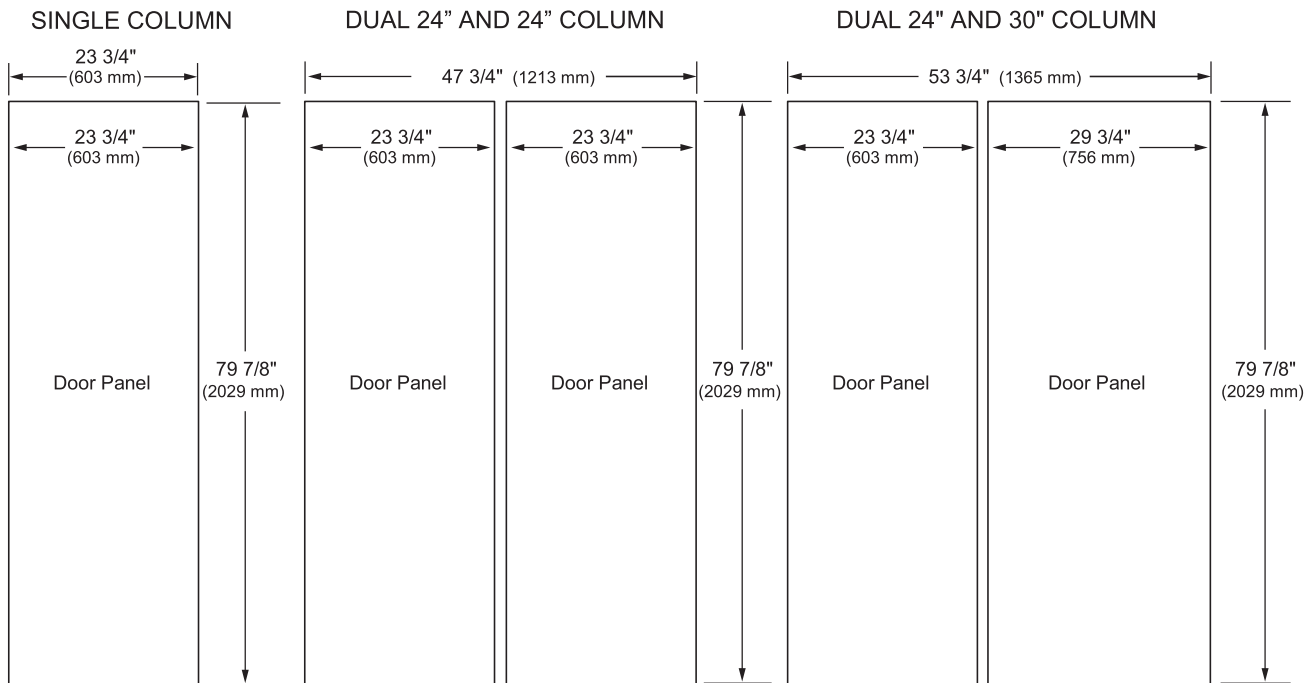
El kit de panel de acero inoxidable se puede utilizar en una instalación al ras en una abertura de una profundidad de 25" (635 mm) o en una instalación saliente en una abertura con una profundidad de 24" (610 mm).

El kit de bastidor opcional se recomienda para instalaciones de remodelación o reemplazo en las que la abertura sea de 24" (610 mm) de profundidad.

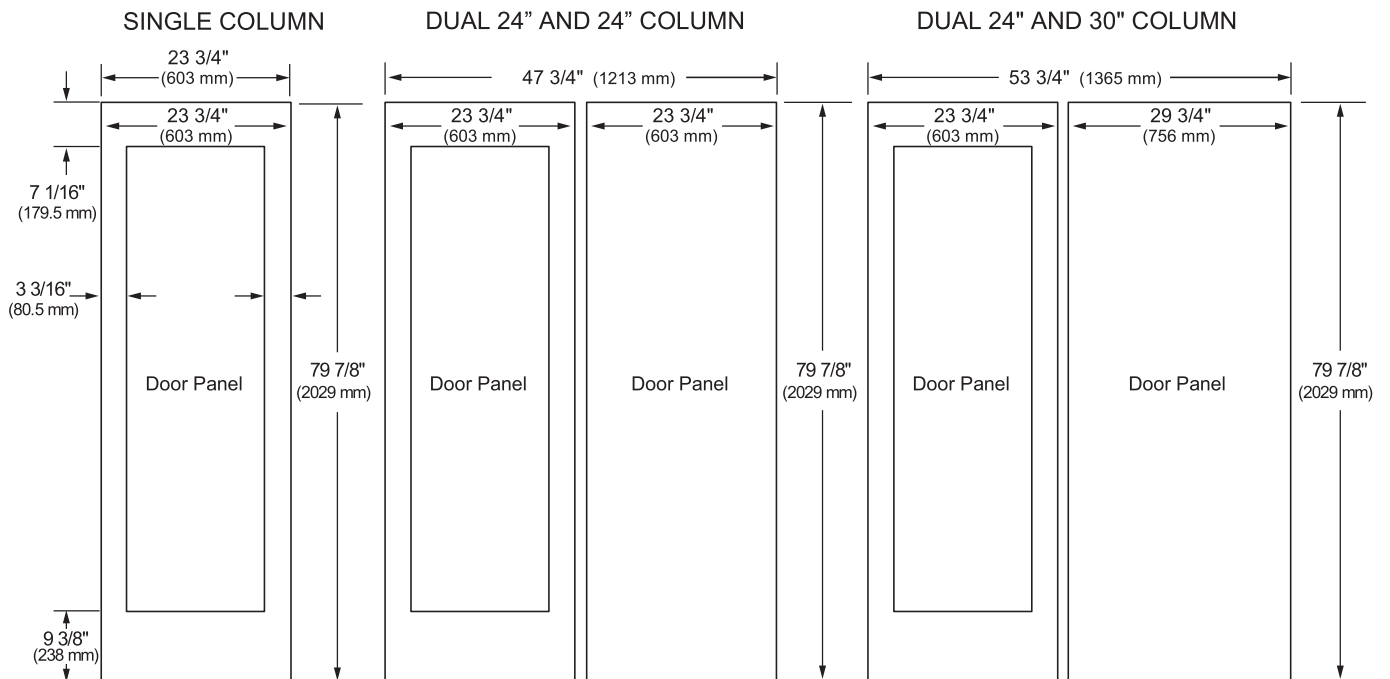
SKSCF2401P – COLUMNA CONGELADOR INTEGRABLE DE 24"  
 SKSCR2401P – COLUMNA REFRIGERADOR INTEGRABLE DE 24"  
 SKSCW241RP – COLUMNA CAVA INTEGRABLE DE 24"

**DIMENSIONES DEL PANEL PERSONALIZADO DE 3/4" (19 MM) - INSTALACIÓN AL RAS**

**Columna congelador/refrigerador**



**Columna cava**



## NOTAS

Las unidades con molduras han sido diseñadas para ser personalizadas con paneles decorativos. Se requieren paneles de puerta personalizados de 3/4" (19 mm) para instalar in situ.

Para paneles personalizados: use las plantillas suministradas con las unidades para taladrar previamente los orificios para los soportes de montaje de paneles (provistos con la unidad). Los tornillos de ajuste y las instrucciones también se suministran con las unidades.

El peso máximo total del panel de la puerta para una columna de 30" es de 64 lb.

El peso máximo total del panel de la puerta para una columna de 24" es de 53 lb.

El peso máximo total del panel de la puerta para una columna de 18" es de 44 lb.

## CONSEJOS DE DISEÑO

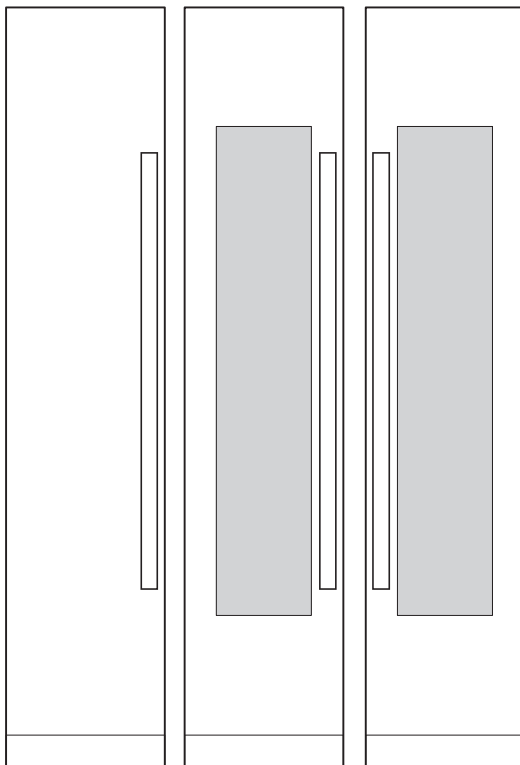
Quedarán a la vista 4" (102 mm) en los laterales interiores de la abertura. Se recomienda que el interior de la estructura de los gabinetes tenga un acabado que coincida con el del exterior. Para instalaciones de remodelación/reemplazo, se puede usar el kit de bastidor opcional.

Si se usan paneles personalizados, se deben colocar zócalos personalizados. La parte inferior de la carcasa no tiene acabado.

Manijas de la puerta: las manijas no se incluyen con las unidades.

Se requieren manijas personalizadas para la instalación. Hay manijas de aluminio pulido disponibles como accesorio opcional.

## ACCESORIOS OPCIONALES - INSTALACIÓN AL RAS O SALIENTE



SKSPK240CS  
SKSPK245CS

SKSWK245LS

SKSWK245RS

SKSPK240CS/SKSPK245CS – KIT DE PANEL DE ACERO INOXIDABLE PARA COLUMNA CONGELADOR/REFRIGERADOR DE 24"

SKSWK245RS/SKSWK245LS – KIT DE PANEL DE ACERO INOXIDABLE PARA COLUMNA CAVA DE 24"

Esta unidad se puede instalar con un kit opcional de panel de acero inoxidable. El kit de la columna congelador/refrigerador es reversible y se puede usar tanto en instalaciones con apertura de puertas hacia la derecha como hacia la izquierda. Los kits de paneles para la columna cava no son reversibles.

SKSFK800CS – KIT DE BASTIDOR

Esta unidad se puede instalar en una abertura de una profundidad de 24" (610 mm) con un kit de bastidor opcional. El kit incluye dos molduras laterales de aluminio pulido de 80" (2032 mm). Cada moldura tiene 5" (127 mm) de profundidad con una cara frontal de 1/8" (3 mm).

MANIJAS PARA USO CON PANELES PERSONALIZADOS

SKSHK310HS – Manija mediana de aluminio pulido de 31 11/16" (805 mm)

SKSHK480HS – Manija larga de aluminio pulido de 48" (1219 mm)

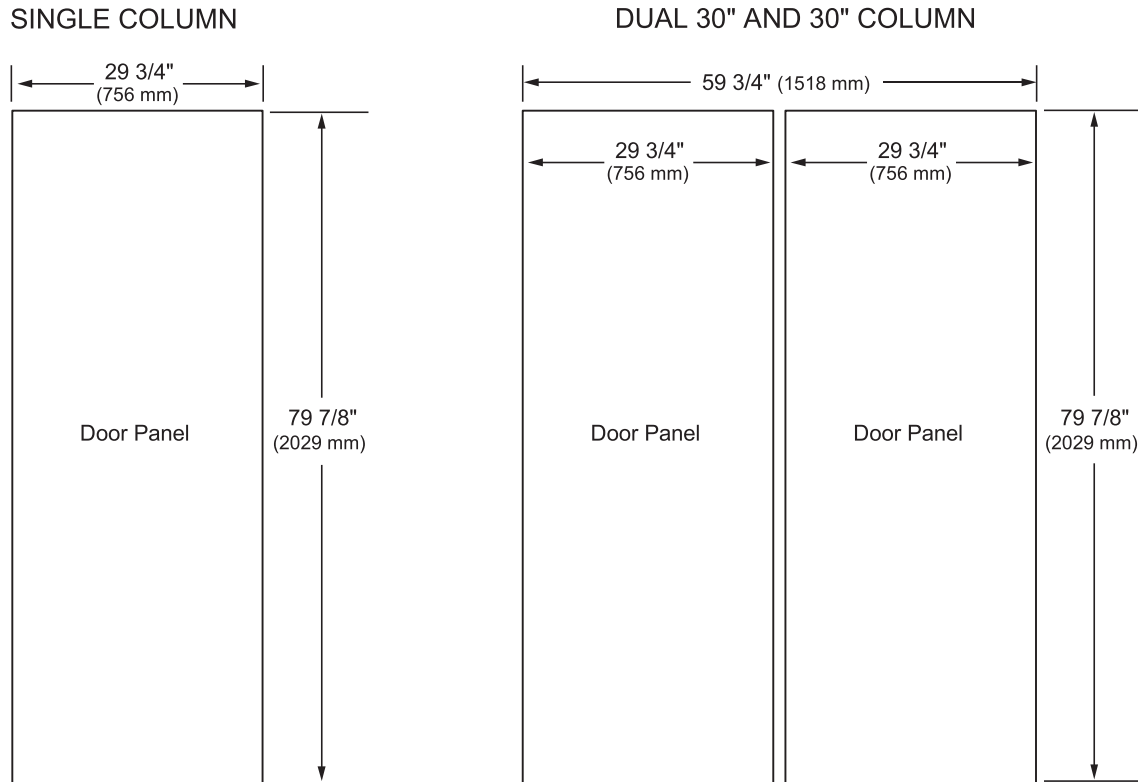
## CONSEJOS DE DISEÑO

El kit de panel de acero inoxidable se puede utilizar en una instalación al ras en una abertura de una profundidad de 25" (635 mm) o en una instalación saliente en una abertura con una profundidad de 24" (610 mm).

El kit de bastidor opcional se recomienda para instalaciones de remodelación o reemplazo en las que la abertura sea de 24" (610 mm) de profundidad.

SKSCF3001P – COLUMNA CONGELADOR INTEGRABLE DE 30"  
 SKSCR3001P – COLUMNA REFRIGERADOR INTEGRABLE DE 30"

**DIMENSIONES DEL PANEL PERSONALIZADO DE 3/4" (19 MM) - INSTALACIÓN AL RAS**



**NOTAS**

Las unidades con molduras han sido diseñadas para ser personalizadas con paneles decorativos. Se requieren paneles de puerta personalizados de 3/4" (19 mm) para instalar *in situ*.

Para paneles personalizados: use las plantillas suministradas con las unidades para taladrar previamente los orificios para los soportes de montaje de paneles (provistos con la unidad). Los tornillos de ajuste y las instrucciones también se suministran con las unidades.

El peso máximo total del panel de la puerta para una columna de 30" es de 64 lb.

El peso máximo total del panel de la puerta para una columna de 24" es de 53 lb.

El peso máximo total del panel de la puerta para una columna de 18" es de 44 lb.

**CONSEJOS DE DISEÑO**

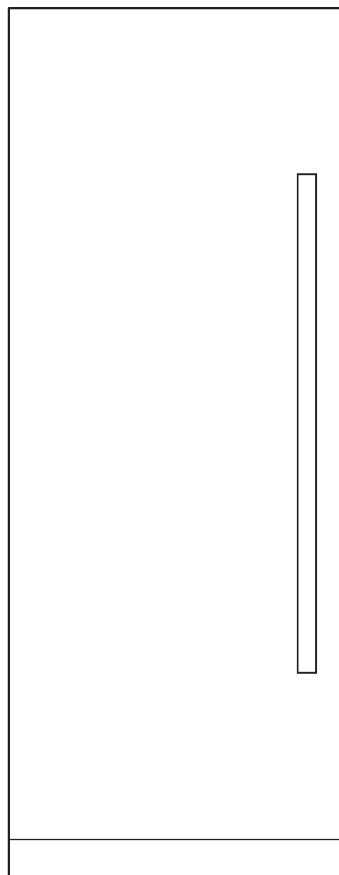
Quedarán a la vista 4" (102 mm) en los laterales interiores de la abertura. Se recomienda que el interior de la estructura de los gabinetes tenga un acabado que coincida con el del exterior. Para instalaciones de remodelación/reemplazo, se puede usar el kit de bastidor opcional.

Si se usan paneles personalizados, se deben colocar zócalos personalizados. La parte inferior de la carcasa no tiene acabado.

Manijas de la puerta: las manijas no se incluyen con las unidades. Se requieren manijas personalizadas para la instalación. Hay manijas de aluminio pulido disponibles como accesorio opcional.



## ACCESORIOS OPCIONALES - INSTALACIÓN AL RAS O SALIENTE



SKSPK300CS  
SKSPK305CS

### SKSPK300CS/SKSPK305CS – KIT DE PANEL DE ACERO INOXIDABLE PARA COLUMNA CONGELADOR/REFRIGERADOR DE 30"

Esta unidad se puede instalar con un kit de panel de acero inoxidable opcional. El kit incluye un panel para la puerta, un zócalo y una manija. Este kit es reversible y se puede usar tanto en instalaciones con apertura de puertas hacia la derecha como hacia la izquierda.

### SKSFK800CS – KIT DE BASTIDOR

Esta unidad se puede instalar en una abertura de una profundidad de 24" (610 mm) con un kit de bastidor opcional. El kit incluye dos molduras laterales de aluminio pulido de 80" (2032 mm). Cada moldura tiene 5" (127 mm) de profundidad con una cara frontal de 1/8" (3 mm).

### MANIJAS PARA USO CON PANELES PERSONALIZADOS

SKSHK310HS – Manija mediana de aluminio pulido de 31 11/16" (805 mm)

SKSHK480HS – Manija larga de aluminio pulido de 48" (1219 mm)

### CONSEJOS DE DISEÑO

El kit de panel de acero inoxidable se puede utilizar en una instalación al ras en una abertura de una profundidad de 25" (635 mm) o en una instalación saliente en una abertura con una profundidad de 24" (610 mm).

El kit de bastidor opcional se recomienda para instalaciones de remodelación o reemplazo en las que la abertura sea de 24" (610 mm) de profundidad.

## Herramientas y accesorios necesarios

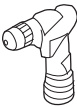
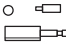

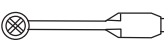
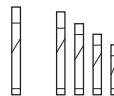



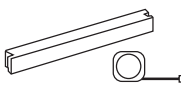

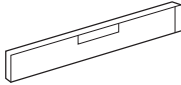
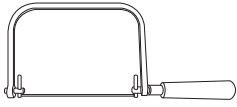
### Accesorios suministrados

- Instrucciones de instalación
- Instrucciones de uso
- Kit de instalación
- Filtro de agua (incluido con el refrigerador)

### Otros

- Escalera de mano
- Carretilla o carro de carga para transporte manual
- Taladro percutor para perforar paredes o piso
- Brocas de varios tamaños y adecuadas para los materiales
- Tornillos para madera de diferentes tamaños
- Lámina delgada de contrachapado, tabla de aglomerado o cartón para proteger el suelo de posibles daños
- Material adecuado para cubrir y proteger los muebles (por ejemplo, nylons protectores)
- Cinta adhesiva
- Un kit de unificación adicional está disponible como accesorio (número de pieza SKSFJ800P) de Signature Kitchen Suite.

### Herramientas

	Destornillador inalámbrico
	Punta Torx T20, T30 y soporte magnético
	Destornillador Torx T20, T30
	Llave de tuercas hexagonales de 6/16" (10 mm)
	Variedad de brocas
	Tenazas de agarre múltiple
	Llave ajustable
	Cuchilla de hoja graduable
	Cinta métrica metálica, metro plegable
	Escuadra
	Niveles: de 2" (60 cm) y 4' (1.2 m) de longitud
	Sierra para cortar las molduras para el borde superior (solo para instalaciones en remodelaciones)

# Instalación

Las siguientes instrucciones de instalación describen los pasos para instalar diversos tipos de aparatos:

- Unidades frigoríficas con dispenser de agua
- Unidades congeladoras con fábrica de hielo

Los diagramas pueden ser una representación general de su aparato.

Se hace referencia en particular a los pasos de instalación especial para tipos de aparatos individuales.

## Desembalaje

### ADVERTENCIA

Para evitar lesiones graves o daños al producto:

- NO abra la puerta del aparato, a menos que el producto tenga los soportes antivuelco instalados.
- El aparato es muy pesado y es propenso a volcarse si no está sujeto.
- Para evitar lesiones, es necesario que 2 o más personas se ocupen de mover o levantar el aparato y que empleen técnicas de levantamiento adecuadas.

Revise el aparato para verificar que no haya sufrido daños durante el traslado.

No instale el aparato si está visiblemente dañado.

En caso de duda, póngase en contacto con el distribuidor.

1. Retire la caja de embalaje con cuidado de no dañar la superficie del aparato.
2. Para evitar daños en el piso, coloque el cartón del embalaje o contrachapado debajo del aparato.
3. Retire los accesorios de los laterales y de la parte inferior del aparato.

#### NOTA:

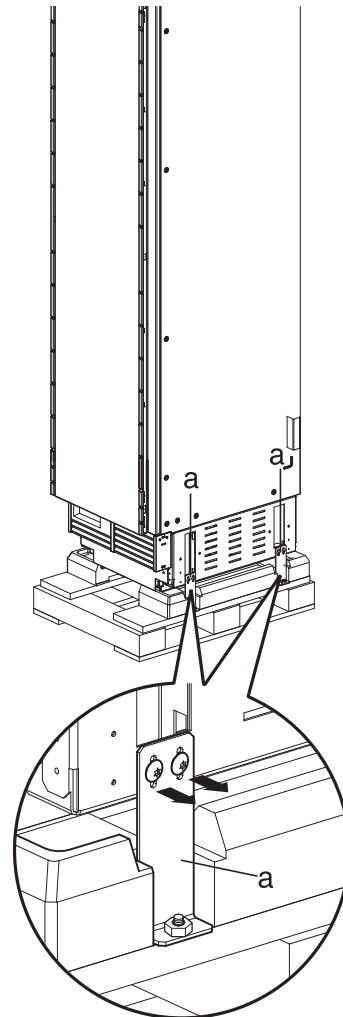
Para evitar dañar las piezas, no retire los materiales de protección para traslado que se encuentran dentro del aparato hasta que finalice la instalación.

4. Preparación de la instalación  
Desembale los materiales y los accesorios de instalación.  
Para simplificar la instalación, los paquetes se encuentran identificados con las etiquetas A, B y C, que se corresponden con las secciones del manual.

#### PRECAUCIÓN:

El electrodoméstico es muy pesado. Es necesario que dos o más personas se ocupen de moverlo o levantarlo.

5. Retire los soportes de envío (a) y levante el aparato del pálet.



## Traslado del aparato

### ! ADVERTENCIA

- Para evitar lesiones, es necesario que 2 o más personas se ocupen de mover o levantar el aparato y que empleen técnicas de levantamiento adecuadas.
- Si el aparato no se puede transportar en posición vertical, debe transportarse horizontalmente.

#### Para evitar daños al producto:

- No incline el aparato hacia los lados ni lo apoye sobre los laterales.
- Asegúrese de que haya suficiente espacio para colocar el aparato en posición vertical antes de hacerlo.
- Utilice una carretilla, un camión elevador o un carro para transporte manual para trasladar el aparato.
- Trasládelo SOLAMENTE moviéndolo desde la parte trasera.
- Sujete el aparato durante el transporte para evitar que se vuelque.

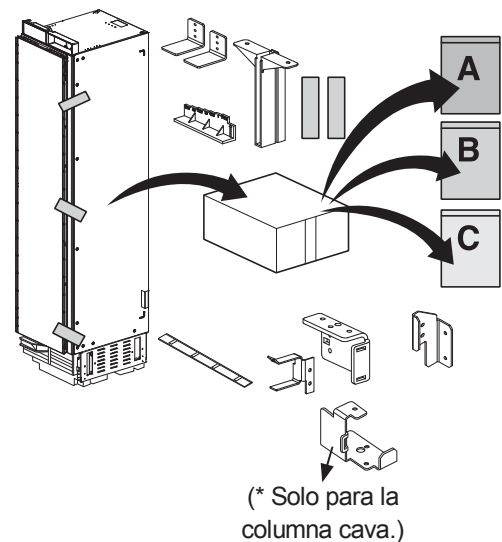
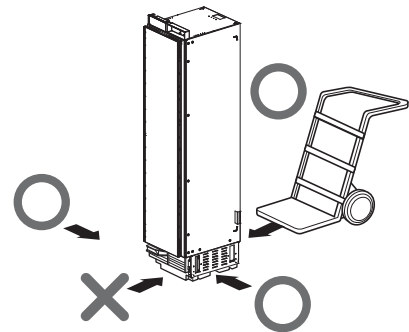


ESPAÑOL

## Circunstancias especiales

Antes de continuar con la instalación, verifique si alguna de las siguientes circunstancias especiales se aplica a su caso. Si es así, siga las instrucciones correspondientes que aparecen en la sección de Instalaciones especiales antes de proseguir con la instalación.

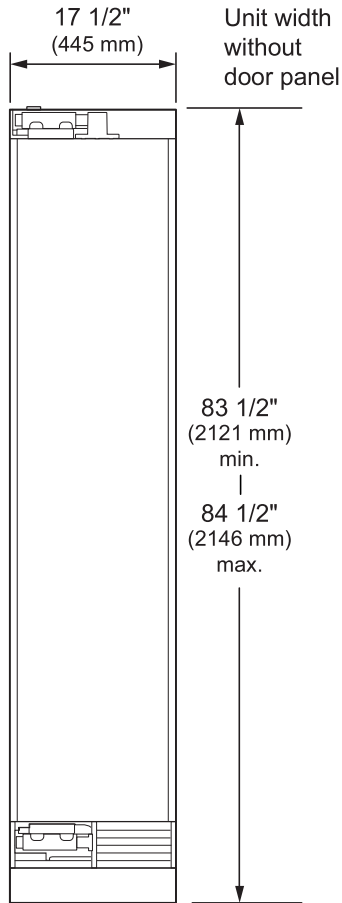
- Instalación de remodelación en un gabinete existente: consulte la sección del Kit de bastidor accesorio opcional.
- Para invertir del sentido de apertura de la puerta: consulte la sección Inversión de la puerta.
- Instalación lado a lado de 2 aparatos: consulte la sección Instalación lado a lado.



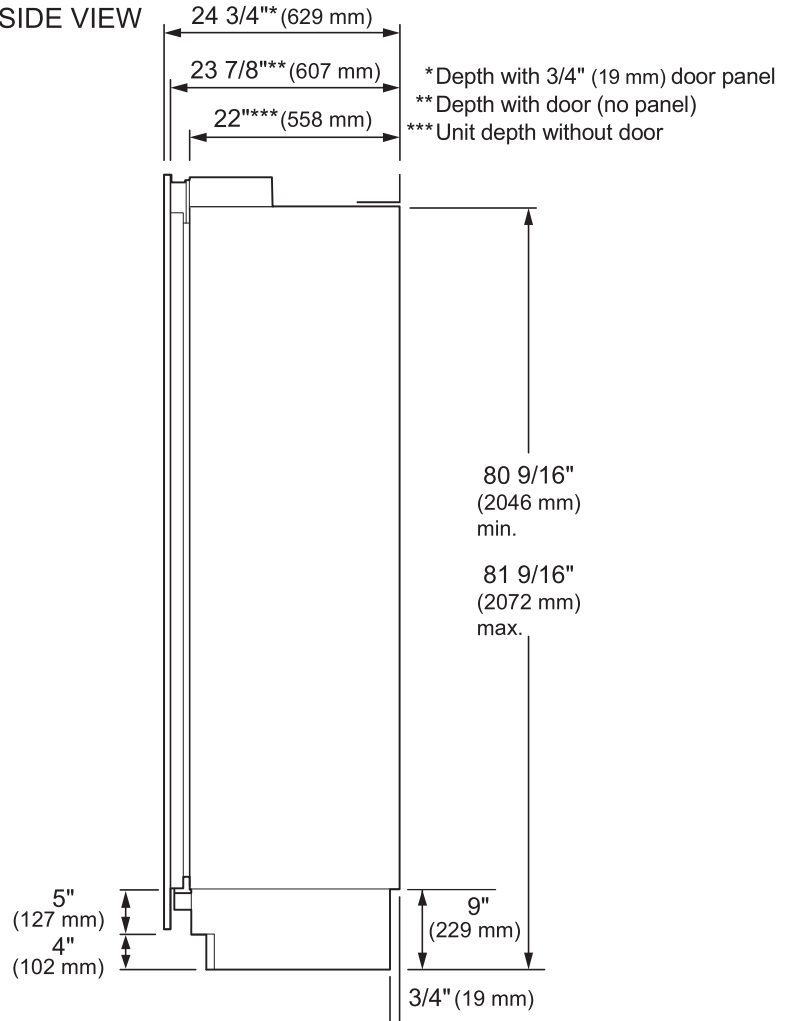
# Dimensiones del producto

## Columna congelador/cava de 18"

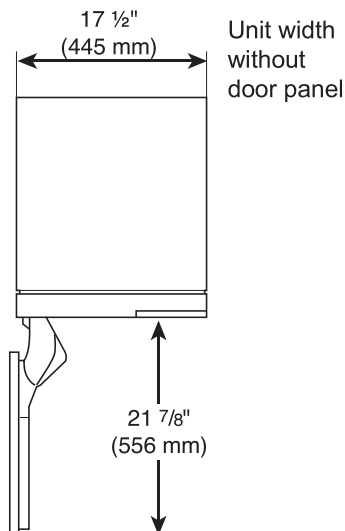
FRONT VIEW



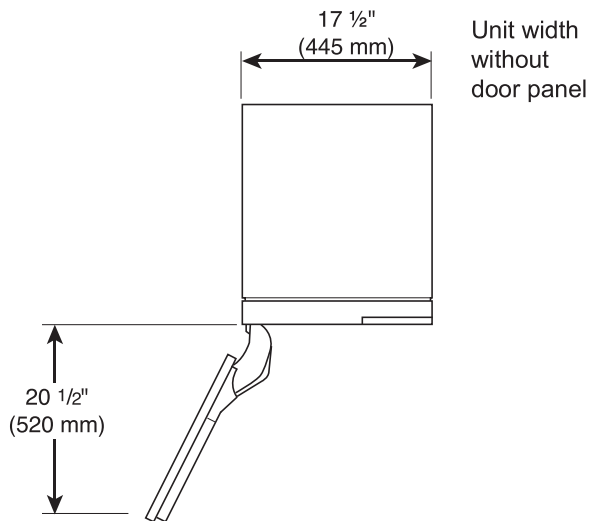
SIDE VIEW



TOP VIEW  
DOOR OPEN 90°

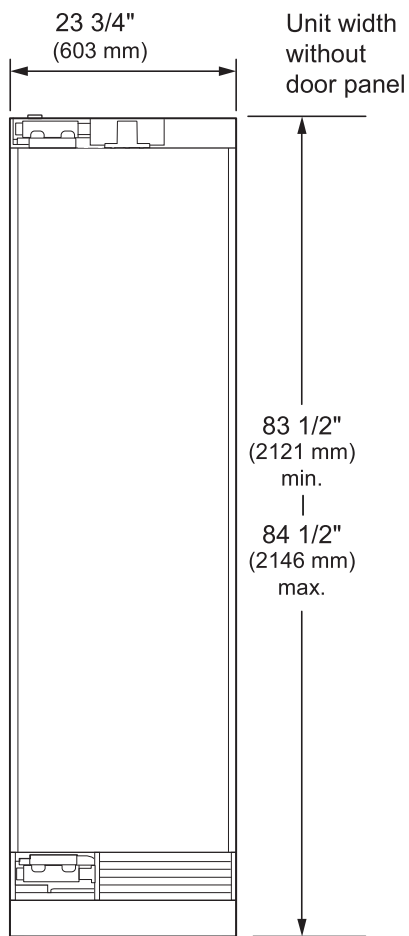


TOP VIEW  
DOOR OPEN 115°

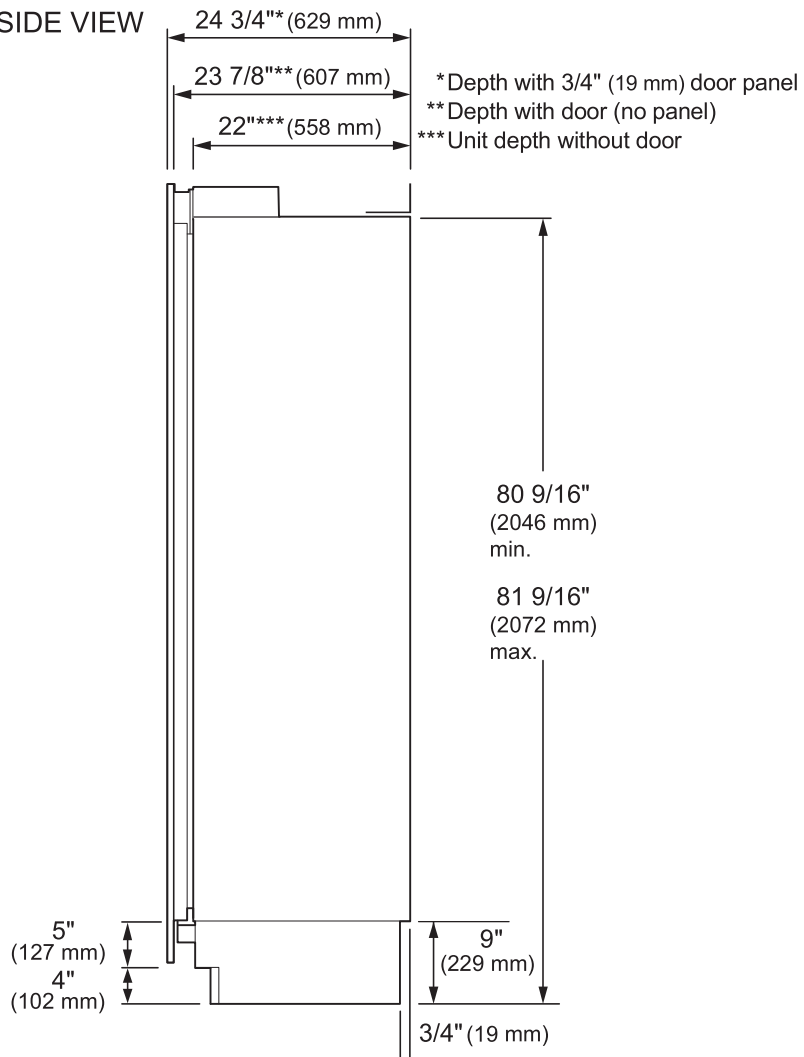


# Columna congelador/refrigerador/cava de 24"

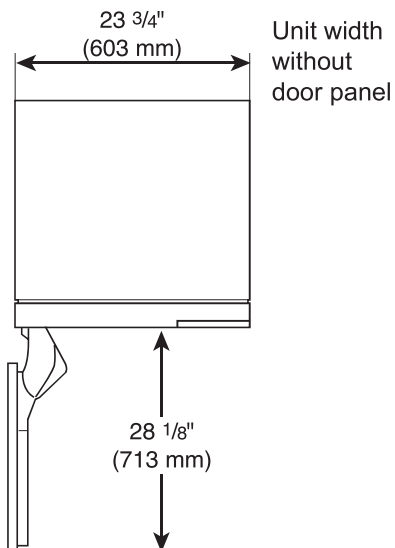
FRONT VIEW



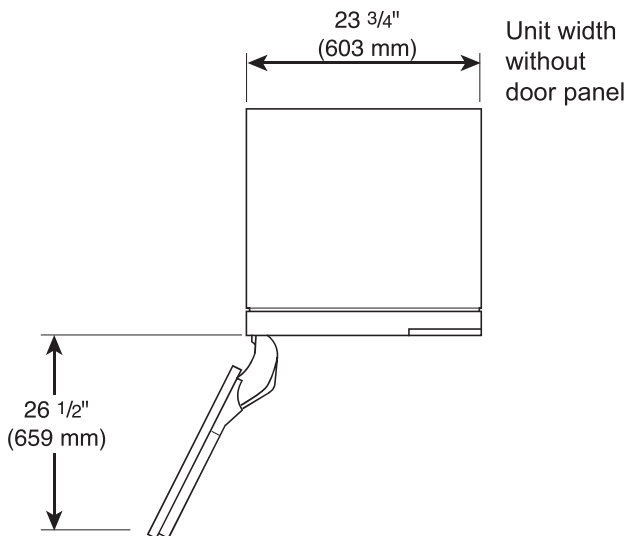
SIDE VIEW



TOP VIEW  
DOOR OPEN 90°



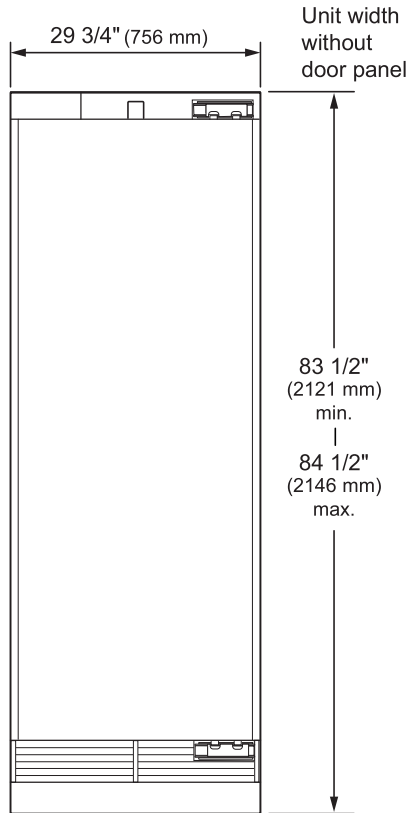
TOP VIEW  
DOOR OPEN 115°



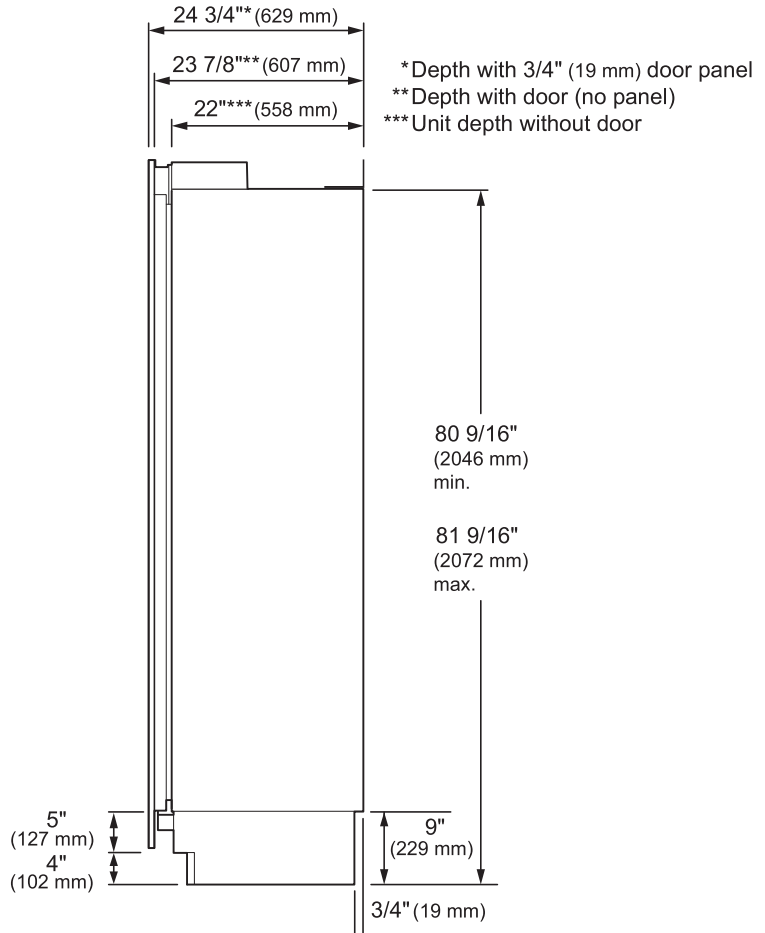
ESPAÑOL

# Columna congelador/refrigerador de 30"

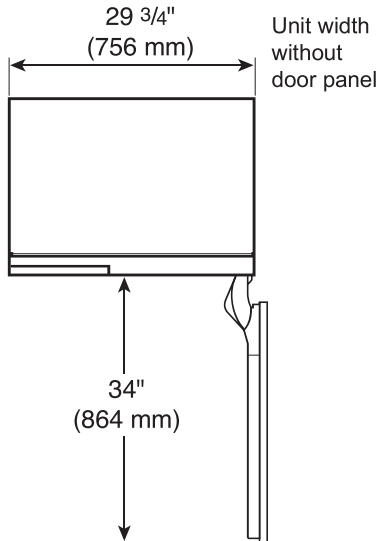
FRONT VIEW



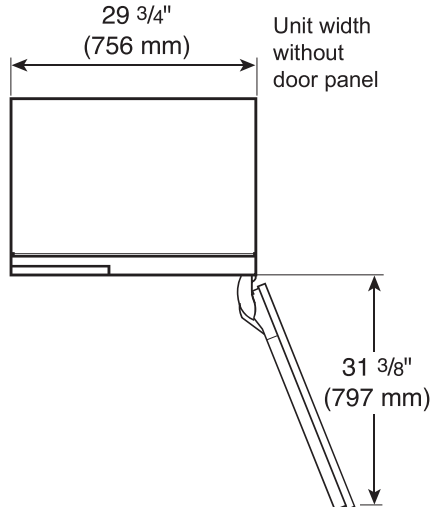
SIDE VIEW



TOP VIEW  
DOOR OPEN 90°



TOP VIEW  
DOOR OPEN 115°





## A

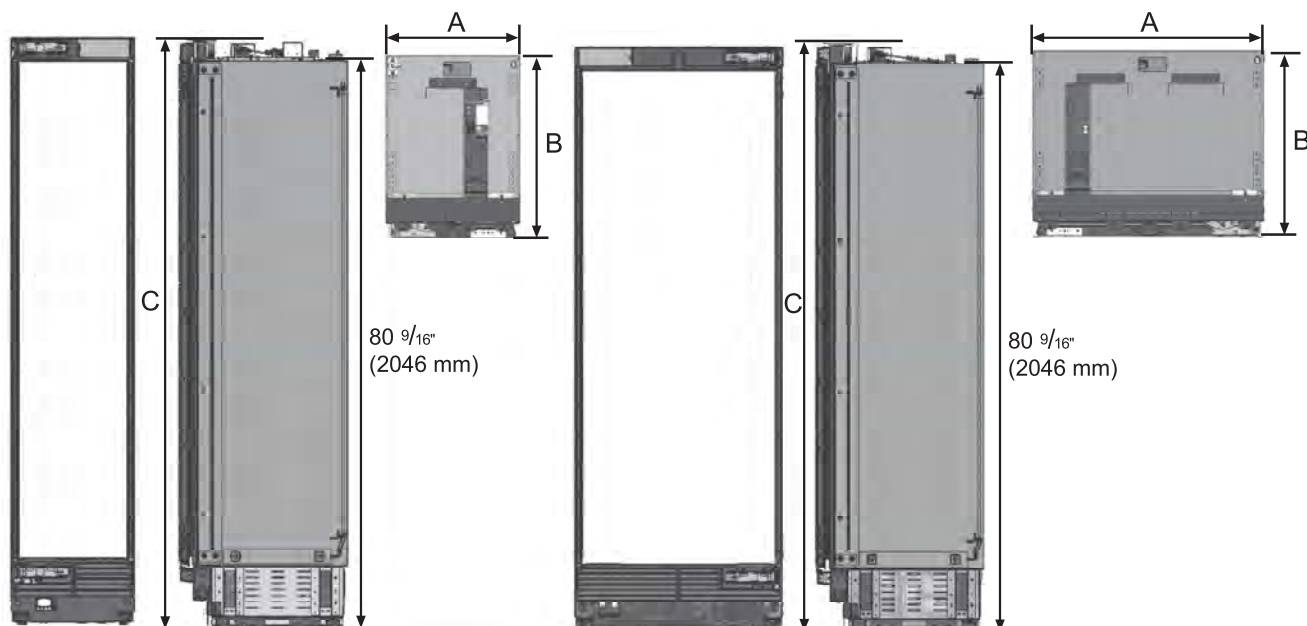
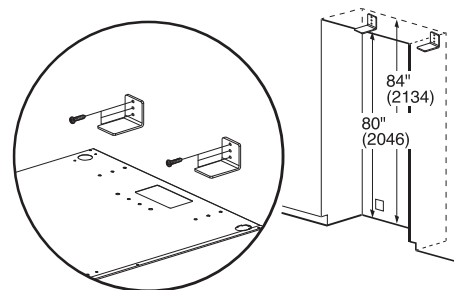
## Instalación de los soportes antivuelco

### ! ADVERTENCIA

Para evitar lesiones o daños, verifique que no haya cables eléctricos ni tuberías en las paredes antes de taladrar o colocar tornillos.

### ! PRECAUCIÓN

Para evitar lesiones, respete todas las prácticas de seguridad durante la instalación, incluido el uso de gafas de seguridad y de otros accesorios de protección.



	Unidad de 18"	Unidad de 24"	Unidad de 30"
A (Ancho)	17 1/2" (445 mm)	23 3/4" (603 mm)	29 3/4" (756 mm)
B (Profundidad)	23 7/8" (607 mm)		
C (Altura)	83 1/2" (2121 mm)		
D (Altura posterior)	80 9/16" (2046 mm)		

**NOTA:**

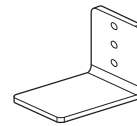
Se necesitan 2 soportes antivuelco para cada aparato.

Los soportes antivuelco deben quedar superpuestos un mínimo de 2 1/8" (54 mm) sobre el aparato para sujetarlo.

1. Instale los soportes antivuelco en la parte posterior de la estructura de los gabinetes, colocando los soportes según las ubicaciones de los espárragos y las dimensiones del producto y de la estructura.
2. Asegúrese de que los soportes antivuelco estén bien sujetos a un espárrago u otra estructura con capacidad para sostener peso.  
No fije los soportes a paneles de yeso, bloques de cemento u hormigón sin curar.

Para garantizar la seguridad, al menos, un soporte debe fijarse a un espárrago. Sujete los soportes a los espárragos siempre que sea posible dentro de la estructura de los gabinetes. Use un mínimo de 3 tornillos o pernos para fijar cada soporte.

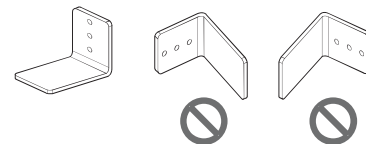
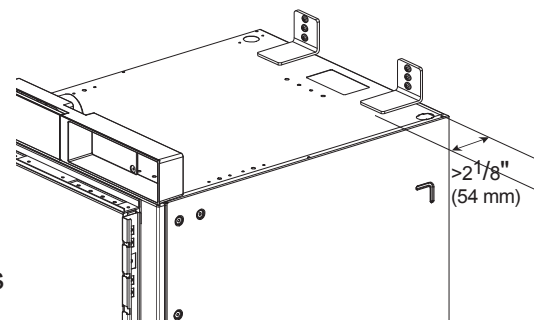
Los soportes deben fijarse como se muestra a la derecha. Los soportes podrían no evitar el vuelco de la unidad si se los coloca orientados de otra manera.



Soportes antivuelco (2)

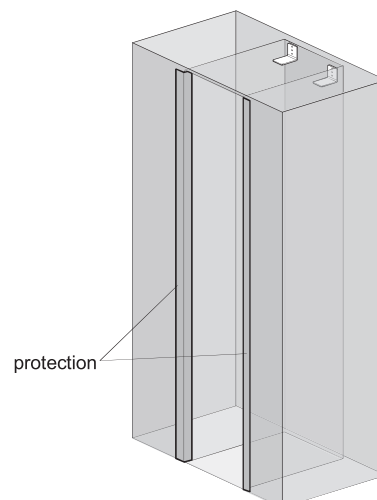


6 tornillos hexagonales 5X45 para pared de madera/hormigón



## Protección de los bordes de la estructura

Para proteger los bordes delanteros de la estructura de los gabinetes, pegue con cinta un cartón delgado o algún otro material protector alrededor de los bordes.



## Instalación del electrodoméstico en la estructura

### ! ADVERTENCIA

Es necesario que la instalación del aparato la realicen 2 o más personas. Tenga cuidado al mover el aparato. Es muy pesado y propenso a volcarse cuando no está sujeto.

### ! PRECAUCIÓN

Sea cuidadoso para evitar dañar la línea de agua o el cable de alimentación cuando coloque el aparato en el interior de la estructura.

Antes de mover la unidad a su posición, sujete la puerta y los cajones en posición cerrada y proteja los pisos con terminación.

Use un carro de carga para mover la unidad hasta cerca de la abertura.

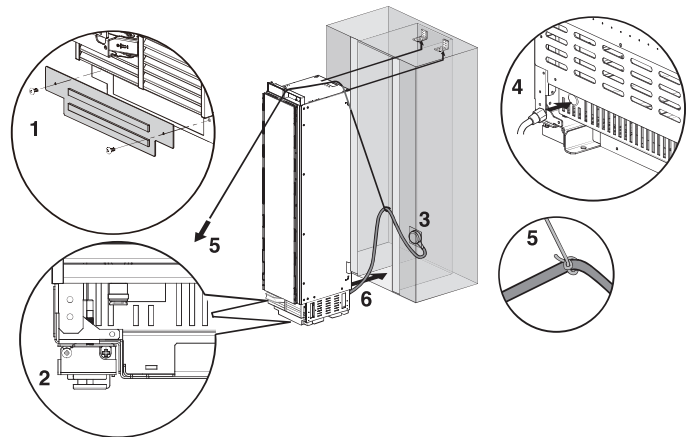
Las patas de nivelación delanteras se extienden por debajo de los rodillos delanteros para una mejor estabilidad durante

la colocación. Cuando la unidad se encuentre frente a la abertura, retraiga completamente las patas niveladoras delanteras para permitir que el aparato ruede hasta su lugar. Las patas de nivelación delanteras y traseras se pueden ajustar desde adelante una vez que la unidad esté colocada en su sitio.

Si la unidad ha estado apoyada en uno de sus laterales o en su parte posterior, debe permanecer en posición vertical durante un mínimo de 24 horas antes de que se la encienda.

Después de colocar el aparato en su posición, verifique que los soportes antivuelco estén correctamente enganchados.

1. Retire el panel de la base.
2. Retraiga las patas de nivelación para que el aparato pueda moverse hacia adelante.
3. Enchufe el cable de alimentación en la toma de corriente.
4. Empuje la línea de agua a través del orificio de la parte posterior del aparato hasta que salga por el orificio de la parte frontal del aparato.
5. Ate una cuerda larga alrededor del centro del cable de alimentación. Pase la cuerda por encima de la parte superior del aparato, tire de ella hasta que el cable de alimentación se mantenga en alto sobre el suelo, luego pegue la cuerda a la parte frontal del aparato para mantener el cable de alimentación apartado del suelo. No pellizque ni tire del cable de alimentación. Asegúrese de que todavía esté enchufado.
6. Mueva con cuidado el aparato hasta colocarlo en la estructura, asegurándose de no pellizcar el cable de alimentación ni la línea de agua debajo o detrás de la unidad.
7. Retire la protección de los bordes de la estructura.



## Alineación y nivelación del aparato

### AJUSTE DE LA PROFUNDIDAD

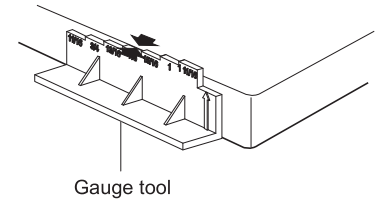
Ajuste la profundidad de la unidad en la estructura a fin de que los paneles de las puertas queden al ras con respecto a los gabinetes que las rodean. Use la herramienta de medición proporcionada para un ajuste preciso.

**1. Mida el grosor de los paneles decorativos de sus puertas con la herramienta de medición.**

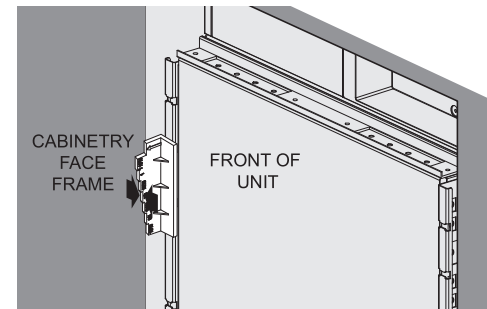
Coloque el panel de la puerta en una superficie plana y protegida y coloque la herramienta de medición al lado del panel. Marque la muesca de la herramienta de medición que coincida con el grosor del panel de la puerta.

**2. Utilice la marca en la herramienta de medición para ajustar la profundidad del aparato en la estructura.**

Coloque la herramienta contra la puerta cerrada del aparato en el lateral de la estructura. La muesca marcada en la herramienta de medición debe alinearse con el borde frontal de la estructura de los gabinetes.



Medición del grosor del panel



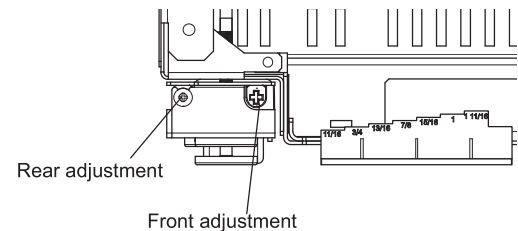
Alineación de la profundidad de la unidad

### AJUSTE DE LA ALTURA

Las patas de nivelación delanteras y traseras se pueden ajustar ambas desde adelante.

Delanteras: use un destornillador Phillips de 5/16" (8 mm) con vástago flexible.

Traseras: use un destornillador Phillips de 5/16" (8 mm) con vástago flexible.



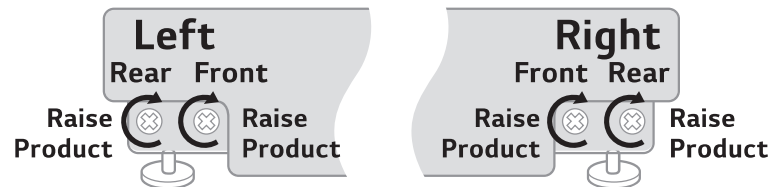
## ADVERTENCIA

Para reducir la posibilidad de que la unidad se incline hacia adelante, las patas de nivelación delanteras deben estar en contacto con el piso.

## NIVELACIÓN

Una vez que el aparato esté alineado correctamente en la estructura, nivélelo usando las patas de nivelación delanteras y traseras.

1. Use un destornillador Phillips para extender las patas de nivelación delanteras y traseras hasta que estén en contacto firme con el piso.



Nivelación

2. Gire los tornillos como se muestra arriba para levantar el aparato. Gire los tornillos en la dirección opuesta para bajarlo.
3. Asegúrese de que el peso del refrigerador recaiga sobre las patas, no sobre las ruedas.
4. Use una aplicación de nivelación para teléfonos inteligentes o coloque un nivel de carpintero en la parte superior y los laterales del aparato para comprobar que esté nivelado y a plomo. O use la herramienta de medición provista para medir la distancia del borde inferior del aparato desde el piso en las esquinas delanteras.

## PRECAUCIÓN

- Si usa un taladro eléctrico, utilice el ajuste de torque más bajo.
- Deje, al menos, 3/8 pulg. (10 mm) entre la parte frontal superior del aparato y la parte superior de la estructura para colocar la tira de relleno superior.
- No supere las 20 pulgada-libras (2.25 Nm) de torque.
- 20 revoluciones equivale a 1/16" (2 mm) de ajuste de altura

## Cómo fijar el aparato a la estructura

### ! ADVERTENCIA

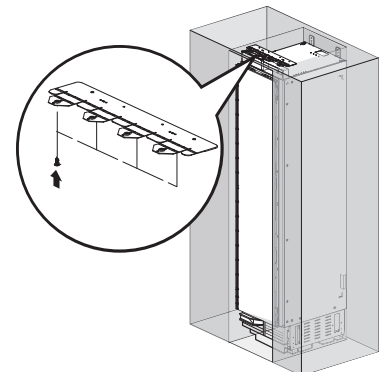
- Para evitar vuelcos, el aparato debe estar fijado a la parte superior de la estructura.
- La parte superior de la estructura de los gabinetes debe estar construida en un material sólido (no de MDF) que cuente con un grosor de 5/8" (16 mm) como mínimo.

1. Atornille las lengüetas del soporte de seguridad de la parte superior del aparato a la parte superior de la estructura.
2. Si queda un espacio grande entre la parte superior del aparato y la parte superior de la estructura, inserte un pedazo de madera entre las lengüetas y la parte superior de la estructura para llenar ese espacio.
3. Atornille los soportes de seguridad laterales a los lados de la estructura.

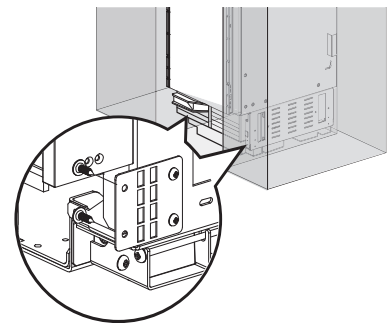
**NOTA:** Si instala dos electrodomésticos lado a lado, sujételos entre sí con el kit de unificación. Fíjelos a los laterales de la estructura como si fueran una unidad.

4. Deslice la pieza superior del conjunto de relleno frontal (a) hacia adentro en la parte superior del aparato hasta que encaje con el soporte de seguridad superior.
5. Una vez que la pieza superior del conjunto de relleno esté en su lugar, deslice la base del conjunto de relleno hacia adentro, debajo de ella, y encaje la parte superior en la base (b).

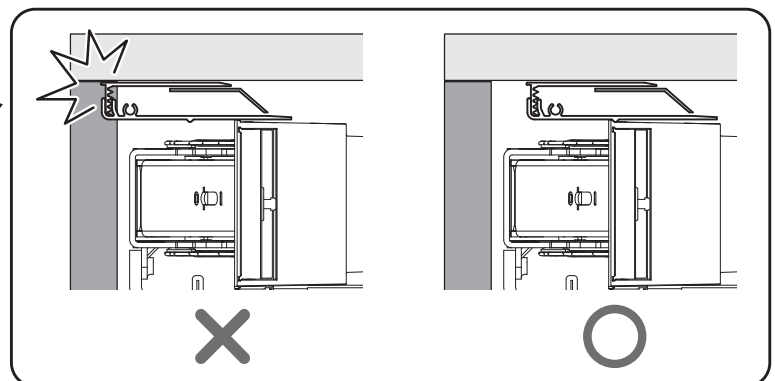
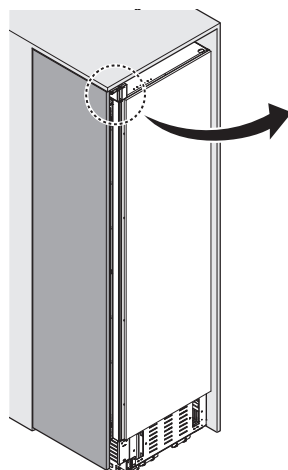
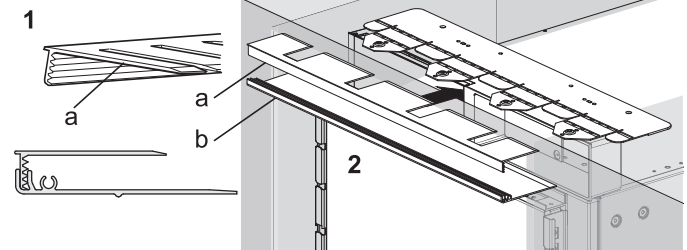
**NOTA:** Si instala dos electrodomésticos lado a lado, coloque ambas cubiertas superiores utilizando el perno que se encuentra en el paquete de accesorios.



 **4X15 4X**



 **4X15 4X**



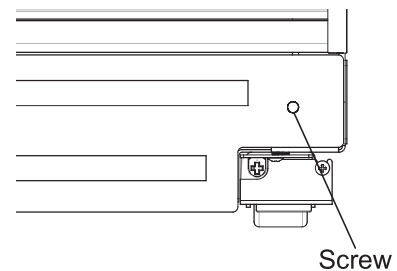
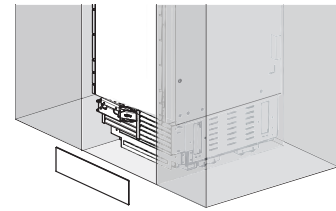
## Cómo fijar el panel del zócalo

### PRECAUCIÓN

Para evitar daños en el aparato, no bloquee las ranuras de ventilación del panel de la base.

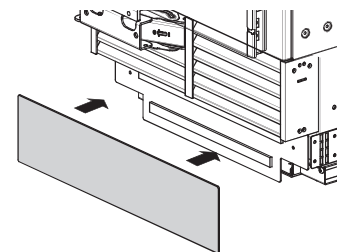
### Panel del zócalo de acero inoxidable (accesorio opcional)

1. Atornille el panel de la base al aparato.
2. Retire la película protectora del adhesivo de las tiras magnéticas proporcionadas.
3. Pegue las tiras magnéticas a la parte posterior del panel del zócalo de acero inoxidable.
4. Fije el panel del zócalo de acero inoxidable al panel de la base utilizando las tiras magnéticas.



### Panel del zócalo de madera

1. De ser necesario, recorte el panel de madera para que coincida con el ancho de la estructura.
2. Atornille el panel de la base al aparato.
3. Retire la película protectora del adhesivo de las tiras magnéticas proporcionadas.
4. Pegue las tiras magnéticas a la parte posterior del panel del zócalo de madera.
5. Fije el panel del zócalo de madera al panel de la base utilizando las tiras magnéticas.

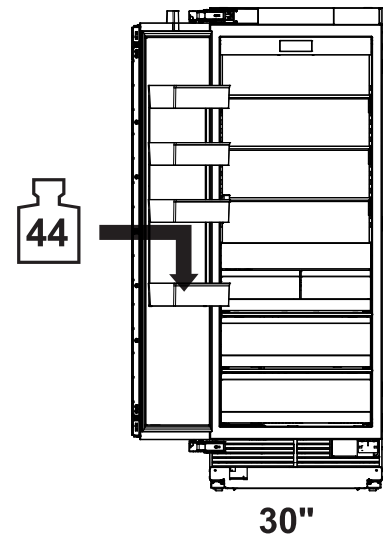
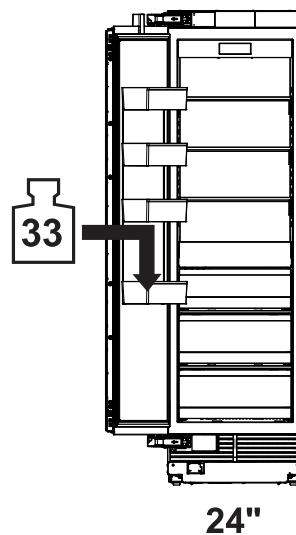
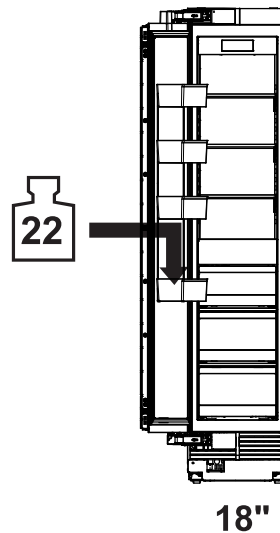


## Carga de la puerta del electrodoméstico

Para obtener resultados precisos, antes de colocar los paneles de la puerta, cargue los compartimentos de la puerta con pesas, a fin de asegurarse de que el ancho del espacio libre seguirá siendo el correcto cuando haya alimentos almacenados en la puerta.

Recomendaciones:

- Aparato de 18": 22 lb/10 kg
- Aparato de 24": 33 lb/15 kg
- Aparato de 30": 44 lb/20 kg



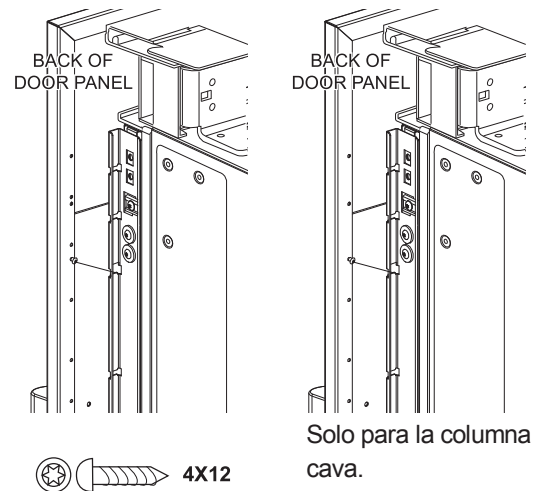
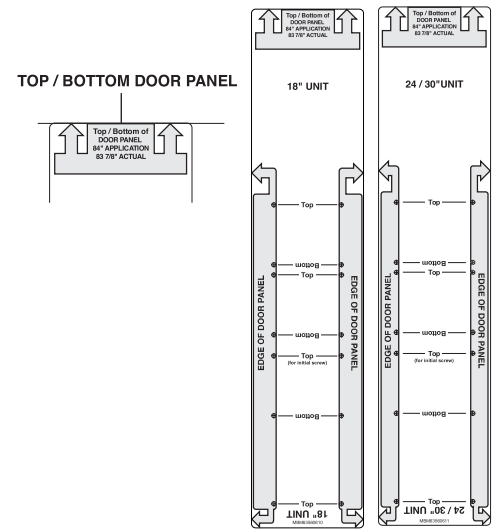


## Instalación de los paneles de la puerta

Las dimensiones típicas del panel se basan en una altura acabada de 84" (213.4 cm) con telares de 1/8" (3.2 mm). En paneles que excedan las dimensiones típicas, deben hacerse ajustes en la colocación de la plantilla.

El panel de la puerta debe instalarse primero, luego, se debe seguir por el panel del cajón superior y y, en último lugar, por el del inferior, si es necesario.

1. Coloque el panel de la puerta hacia abajo sobre una superficie protegida.
2. Localice el lado correcto de la plantilla del panel de la puerta para su producto y coloque la plantilla al ras con respecto a los lados superior e izquierdo del panel.
3. Use la plantilla para marcar las ubicaciones correctas de los tornillos en la parte posterior del panel.
4. Deslice la plantilla hacia la derecha para que quede al ras con los lados superior y derecho del panel.
5. Use la plantilla para marcar las ubicaciones correctas de los tornillos en la parte posterior del panel.
6. En las columnas del refrigerador/congelador, comience insertando un tornillo #8 de 1/2" en el quinto orificio desde la parte superior de cada lado. En las columnas cava, use el tercer orificio desde la parte superior. Deténgase cuando los tornillos sobresalgan en 3/16" (4 mm) del panel. Estos serán los tornillos de soporte durante la instalación del panel.
7. Inserte los tornillos de soporte en los orificios ranurados de los soportes de montaje de la puerta del aparato para que el panel quede colgado de la puerta.



Montaje del panel de la puerta

### PRECAUCIÓN

Tenga cuidado con los puntos que presentan riesgos de pellizco al instalar los paneles de puertas o al abrir y cerrar las puertas.

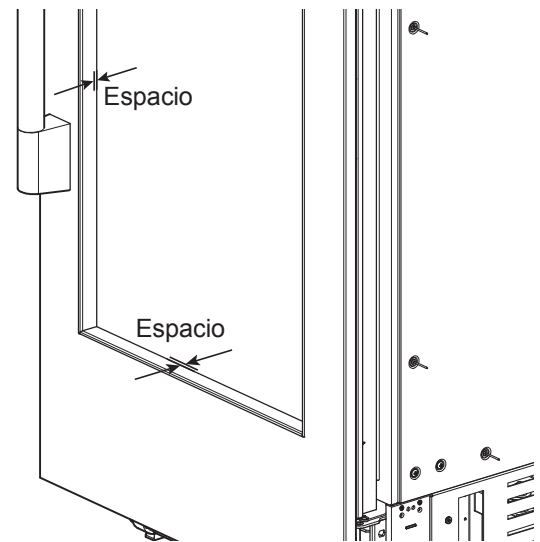
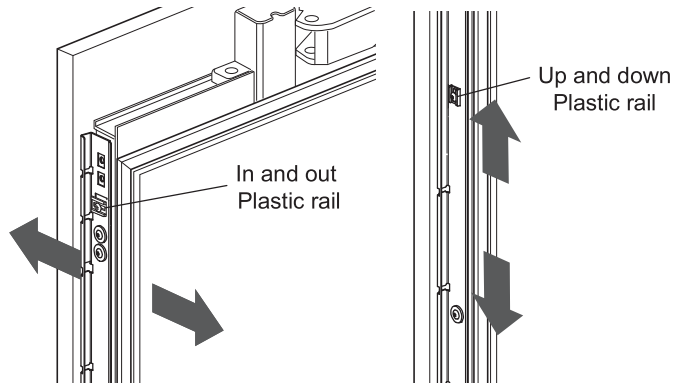
## Ajuste de los paneles de la puerta

Ahora se pueden hacer los ajustes finos para alinear los paneles de la puerta.

1. Para ajustar el panel de la puerta en sentido horizontal, deslice los tornillos de soporte del panel hacia la izquierda o hacia la derecha en los orificios ranurados, según sea necesario. Otra persona debe sostener el panel en su lugar mientras usted aprieta los tornillos de soporte e inserta y ajusta todos los tornillos de montaje restantes.
2. Para ajustar el panel de la puerta en sentido vertical o hacia atrás y adelante, afloje los tornillos del soporte de la puerta del aparato. Mueva los rieles de plástico para hacer los ajustes que necesita. Otra persona debe sostener el soporte en su lugar mientras usted ajusta todos los tornillos del soporte.

### NOTAS

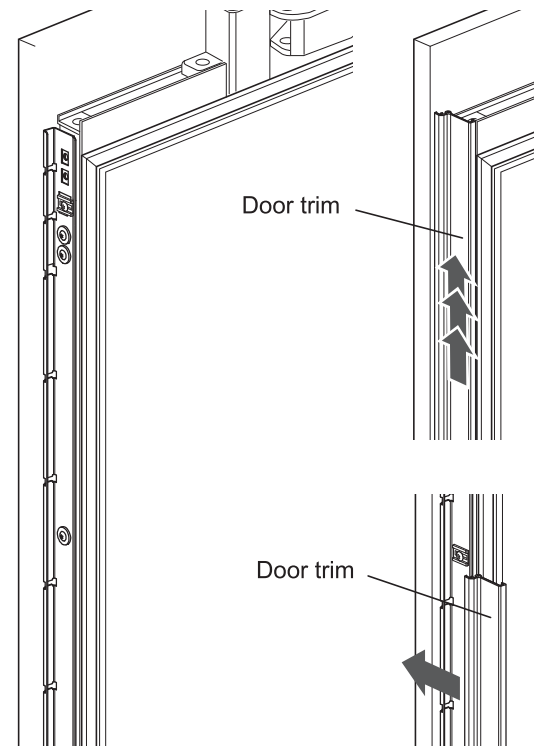
Cuando ajuste el panel de la puerta de la cava, quedará un pequeño espacio entre la superficie de la puerta de vidrio y la brida de plástico del panel. Esto es normal.



## Instalación de las molduras de la puerta

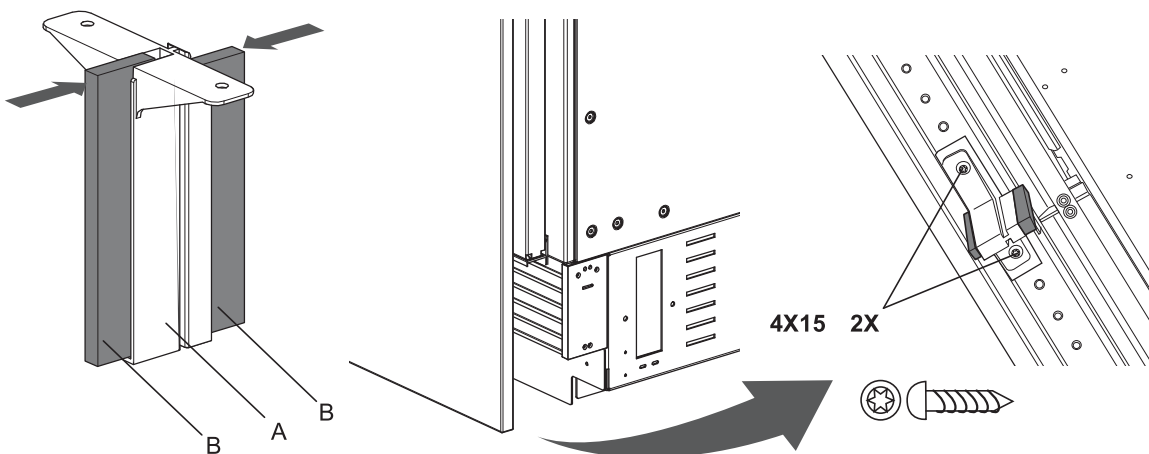
Una vez que se hayan ajustado los paneles, instale la moldura lateral decorativa en las puertas.

Para hacerlo, comience en el centro y alinee la moldura con las bridas delanteras y traseras del soporte, luego encájela en su lugar empujándola hacia la parte posterior del panel. Cuando el sector del medio esté fijado, continúe con la instalación hacia arriba, hasta que la moldura restante quede completamente colocada.



## Colocación del separador de aire

Ensamble A con B y fije el conjunto en la parte inferior central delantera de la puerta.

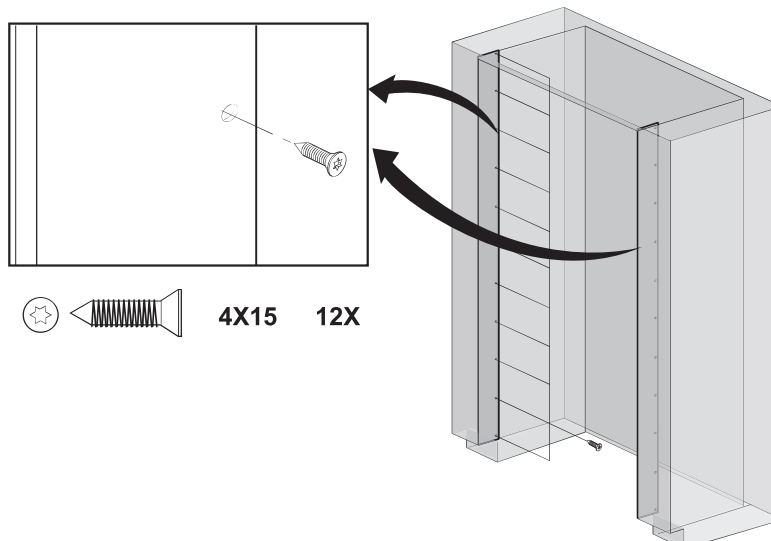


## Instalaciones especiales

### Kit de bastidor accesorio opcional

Compre e instale el kit de bastidor opcional para instalaciones de lado a lado en remodelaciones. El kit incluye molduras de acero inoxidable para cubrir los bordes delanteros dentro de la estructura. Consulte las instrucciones detalladas para la instalación que se incluyen con el kit.

Attaching side trim for retro fit



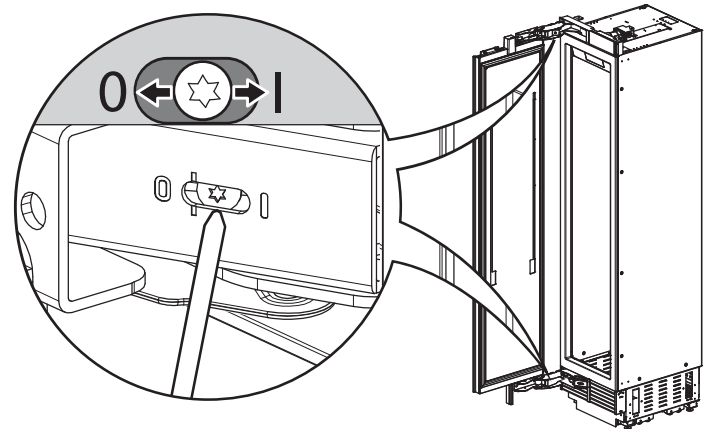
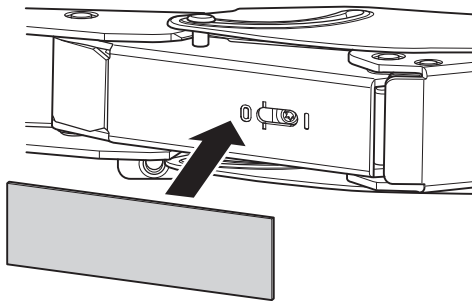
## Ajuste del resorte de la puerta

Haga girar el tornillo de ajuste con la punta T20 suministrada.

I = tensión máxima del resorte

0 = sin tensión

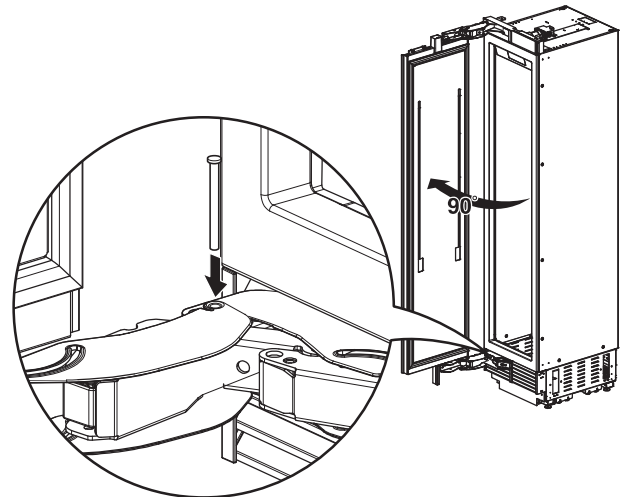
(Opcional) Después de ajustar el resorte de la puerta, coloque las láminas de plástico gris para ocultar los tornillos de ajuste.



## Ajuste del tope de la puerta

La posición predeterminada del tope de la puerta es 115°. Siga estas instrucciones para cambiar la posición del tope de la puerta a 90°.

1. Abra la puerta hasta 90°.
2. Inserte el pasador del tope de la puerta en los orificios que ahora se encuentran alineados en la parte posterior de la bisagra. Utilice un mazo de goma para insertar completamente el pasador.

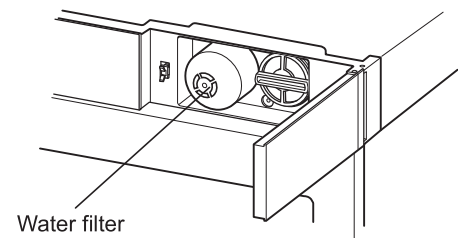


## Modo de operación sin filtro de agua

Al quitar el filtro de agua, el aparato automáticamente se pone en modo de operación sin filtro. Esto le permite funcionar sin filtro de agua.

### Extracción del filtro de agua

1. Presione ligeramente la puerta de acceso al filtro de agua para abrirla.
2. Use la tapa para girar el filtro de agua en sentido contrario a las agujas del reloj y retírelo. Consulte el manual del propietario para obtener instrucciones detalladas.



## Inversión del sentido de apertura de la puerta

### ! ADVERTENCIA

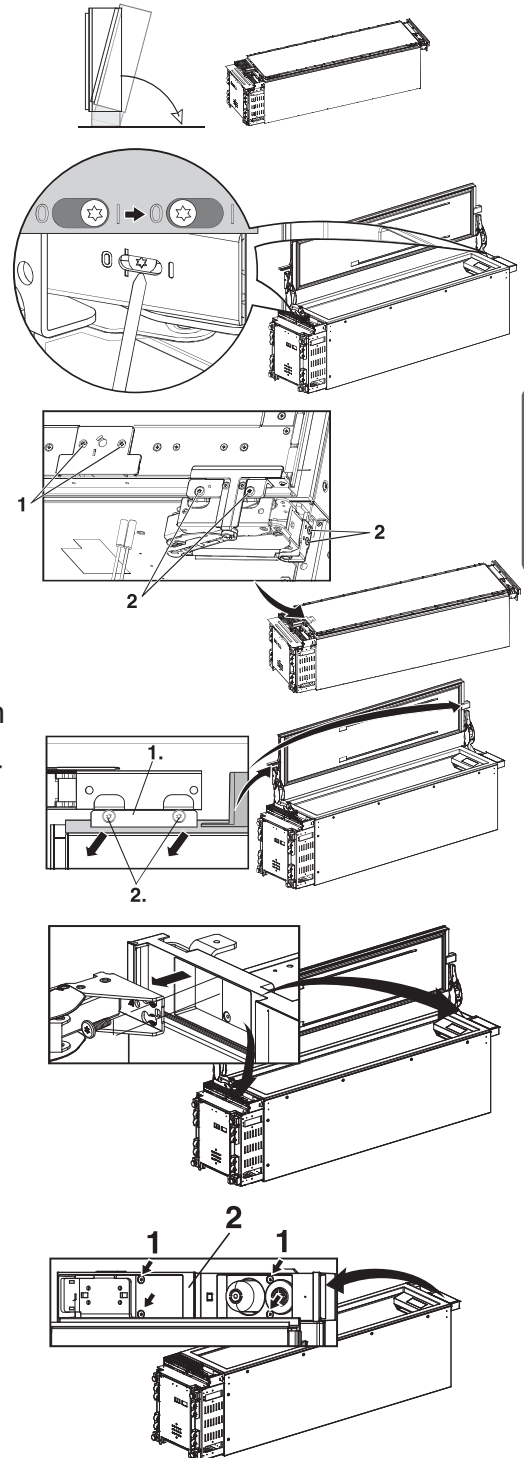
#### Riesgo de lesiones

Antes de trabajar en la bisagra, afloje la tensión del resorte de la bisagra.

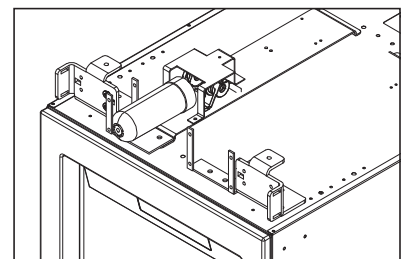
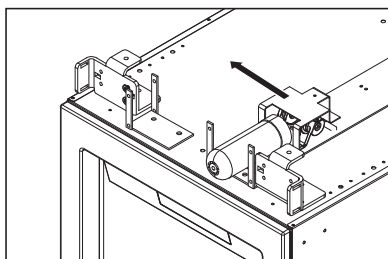
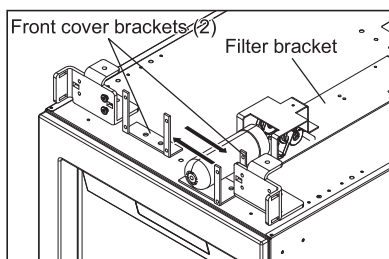
#### NOTA:

- Para facilitar la inversión del sentido de apertura de la puerta, antes de comenzar coloque el refrigerador boca arriba sobre una superficie plana y protegida.
- Si se invierte el sentido de apertura de la puerta con el producto en posición vertical, la puerta DEBE sujetarse al retirar o instalar los pernos de montaje.

1. Abra la puerta y afloje la tensión en el resorte de la bisagra haciendo girar el tornillo de | a O con la punta T20 suministrada.
- 2a. (Solo para columnas cava)  
Retire los 2 tornillos de la cubierta de la PCB (1) en la parte inferior del aparato y extraiga la cubierta. Retire el conjunto de la cubierta de ventilación como se muestra en el paso 6. Extraiga los 4 tornillos de montaje de la barra de conexión (2). Mueva la barra de conexión para permitir la extracción de la puerta.
- 2b. Si tiene un separador de aire instalado, extráigalo. Retire los 2 pernos de montaje de la parte superior e inferior de la puerta (1). Retire la puerta (2) y déjela a un lado sobre una superficie protegida.
3. En el gabinete, extraiga los 2 tornillos de las bisagras superior e inferior, retire las bisagras y deje las piezas a un lado.
4. Abra la puerta de acceso al filtro de agua. Desatornille los 4 tornillos (1) y retire el conjunto de la cubierta frontal (2).
- 5a. (Para columnas refrigerador/congelador solamente)  
Retire los pernos de los 2 soportes de la cubierta frontal en la parte superior del aparato. Intercambie las posiciones de los 2 soportes, girando uno 180 grados, y vuelva a instalar los pernos.  
Retire los pernos del soporte del filtro y vuelva a instalar el conjunto del soporte en el lado opuesto.

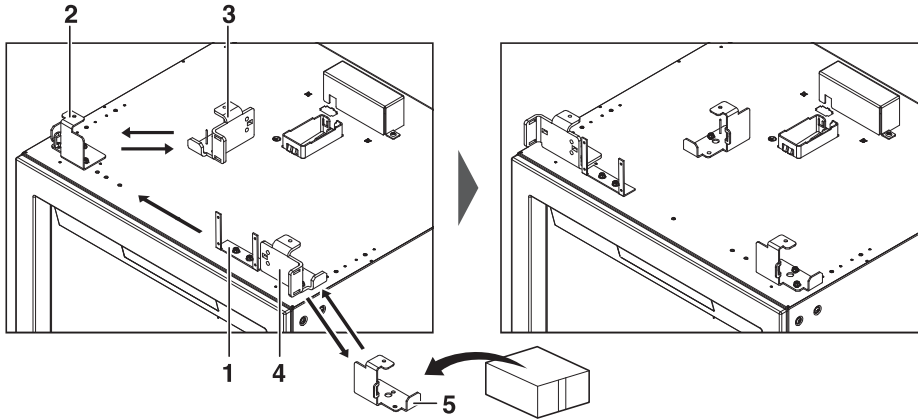


ESPAÑOL

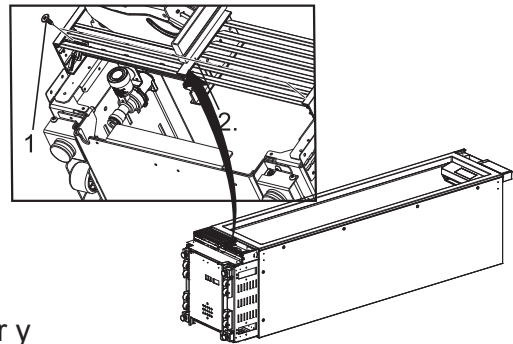


## 5b. (Solo para columnas cava)

Retire los pernos de montaje del soporte de la cubierta frontal central (1) en la parte superior del aparato. Vuelva a instalar el soporte en el lado opuesto. Retire los pernos de montaje del soporte de la cubierta frontal izquierda (2) y el receptáculo de la bisagra superior (3), intercambie sus posiciones y vuelva a instalar los pernos. Retire los pernos de montaje del receptáculo superior derecho de la bisagra (4) y reemplácelo con el soporte de la cubierta frontal (5) suministrado con los accesorios de instalación.

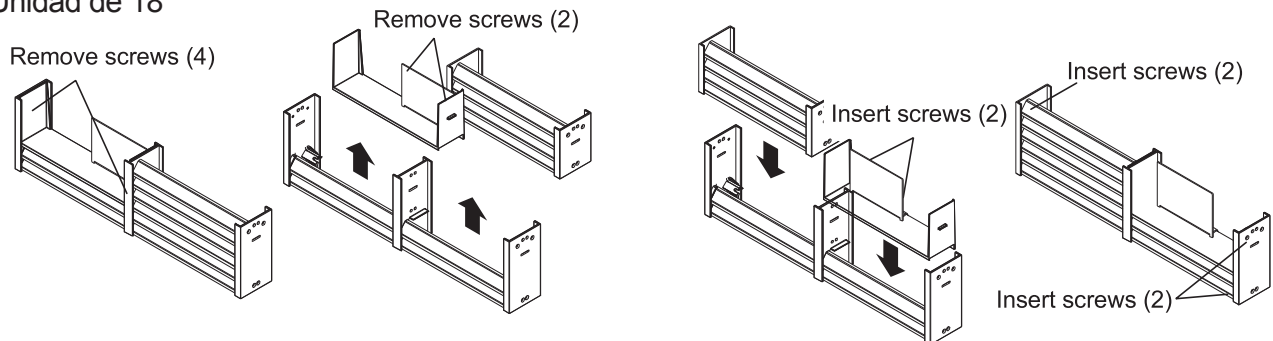


6. Desatornille y retire el conjunto de la cubierta de ventilación de la parte inferior del aparato. (En el caso de las columnas cava, el conjunto de la cubierta de ventilación se retira en el paso 2.)

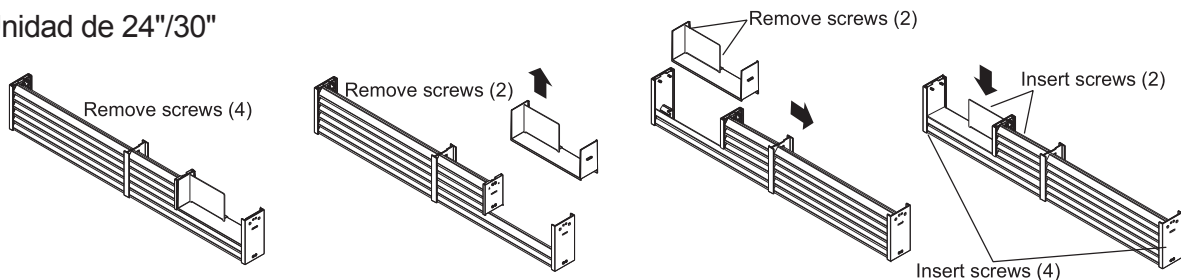


7. Siga los diagramas a continuación para desmontar y volver a montar la rejilla de ventilación. En las columnas refrigerador/congelador, vuelva a atornillar el conjunto de la cubierta de ventilación al aparato. (En el caso de las columnas cava, el conjunto de la cubierta de ventilación se reinstala en el paso 13.)

## Unidad de 18"

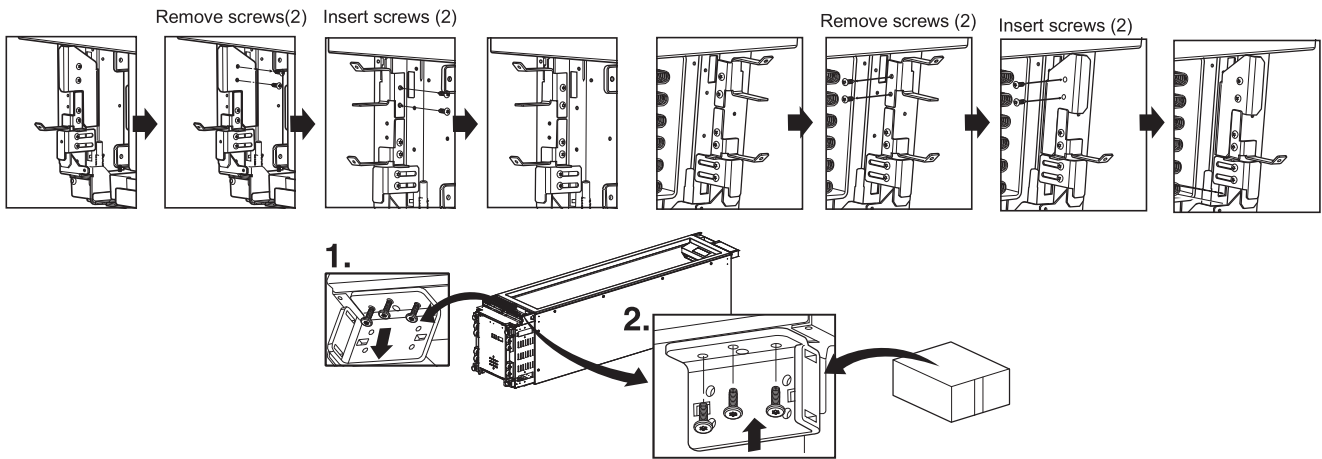


## Unidad de 24"/30"

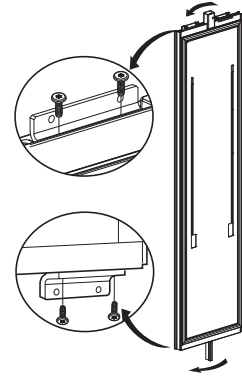




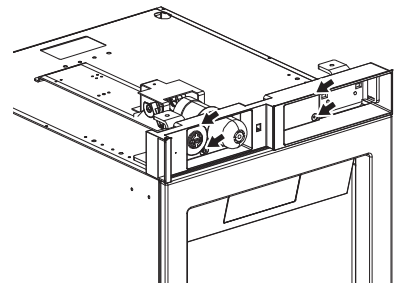
8. Retire el receptáculo de la bisagra inferior. Instale en el lado opuesto el encaje de la bisagra proporcionado con los accesorios de instalación. Guarde todas las piezas en caso de que, en el futuro, se desee invertir el sentido de apertura de la puerta.



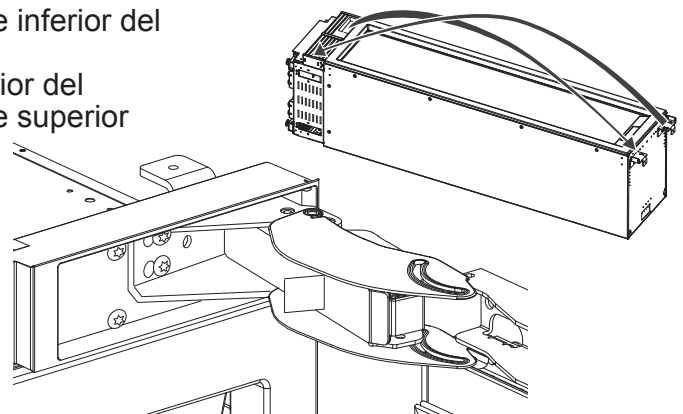
9. En la puerta, retire los 2 pernos del soporte de la bisagra superior e instale el soporte sobre el lado opuesto de la puerta. Repita con el soporte de la bisagra inferior.



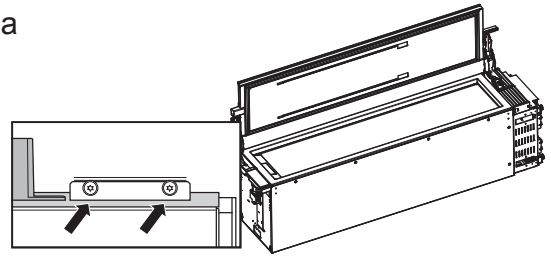
10. Gire la cubierta frontal 180 grados y vuelva a instalarla en la parte superior del gabinete.



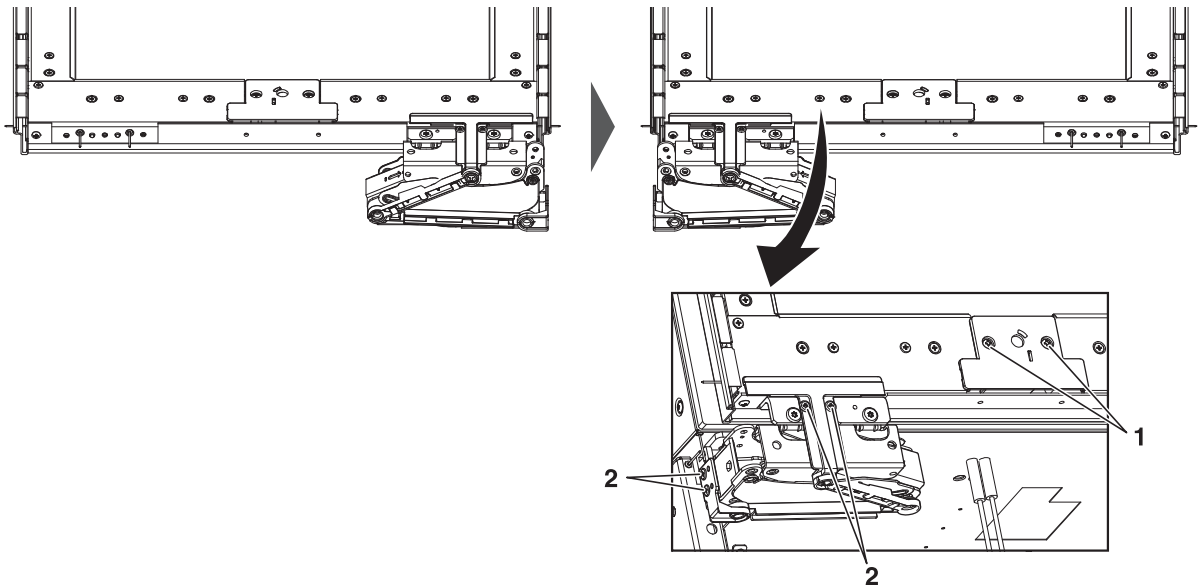
11. Instale la bisagra extraída de la parte superior del gabinete sobre el lado opuesto, en la parte inferior del gabinete.  
Instale la bisagra extraída de la parte inferior del gabinete sobre el lado opuesto, en la parte superior del gabinete.



12. Inserte 2 tornillos en la parte superior e inferior de la puerta para volver a colocarla.

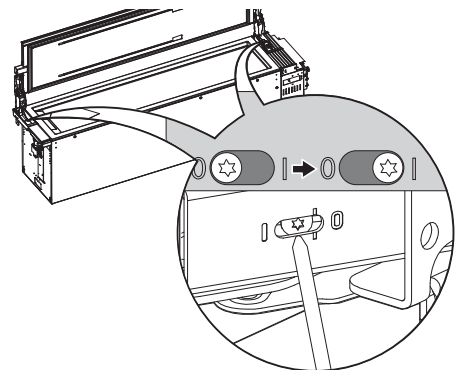


13. (Solo para columnas cava)  
Vuelva a colocar la cubierta de la PCB (1) con 2 tornillos.  
Use 4 tornillos para instalar la barra de conexión en la bisagra (2) sobre el lado opuesto del que se la retiró.  
Vuelva a instalar el conjunto de la cubierta de ventilación que se reensambló en el paso 7.



14. Restablezca la tensión del resorte de la bisagra haciendo girar el tornillo de O a | con la punta T20 suministrada.

15. Coloque el producto en posición vertical. El cable de alimentación puede conectarse, pero espere 24 horas antes de encender el aparato.



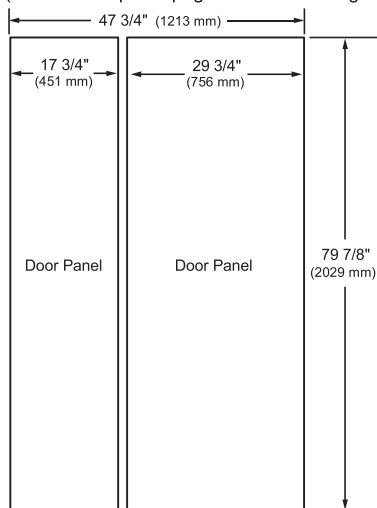


## Instalación lado a lado al ras

### ESPACIOS LIBRES EN INSTALACIONES AL RAS

**NOTA:** Cuando instale productos entre los cuales vaya a colocarse una división, siga las instrucciones para una instalación común. El tamaño mínimo que debe tener la división es de 6" (15.2 cm) para que no se produzcan interferencias entre las puertas.

DUAL 18" AND 30" COLUMN  
(See custom panel pages for more configurations.)



**NOTA:**

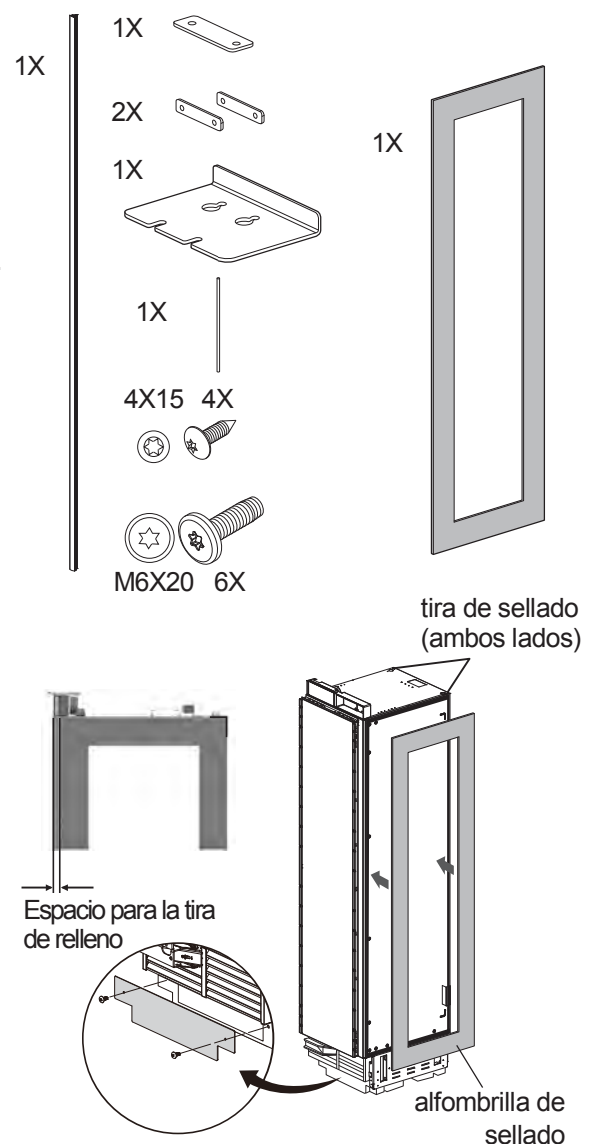
Cuando instale 2 productos lado a lado, uno con la apertura de la puerta hacia la izquierda y el otro hacia la derecha, deberá dejar 1/16" (2 mm) de espacio libre entre ellos. Esto se aplica tanto a instalaciones nuevas como a remodelaciones.

En una instalación lado a lado al ras, debe utilizarse un kit de unificación para sellar los aparatos entre sí. Este kit se incluye con todas las columnas congelador. El kit contiene una alfombrilla de sellado que contribuye a prevenir que se produzca condensación entre los dos electrodomésticos.

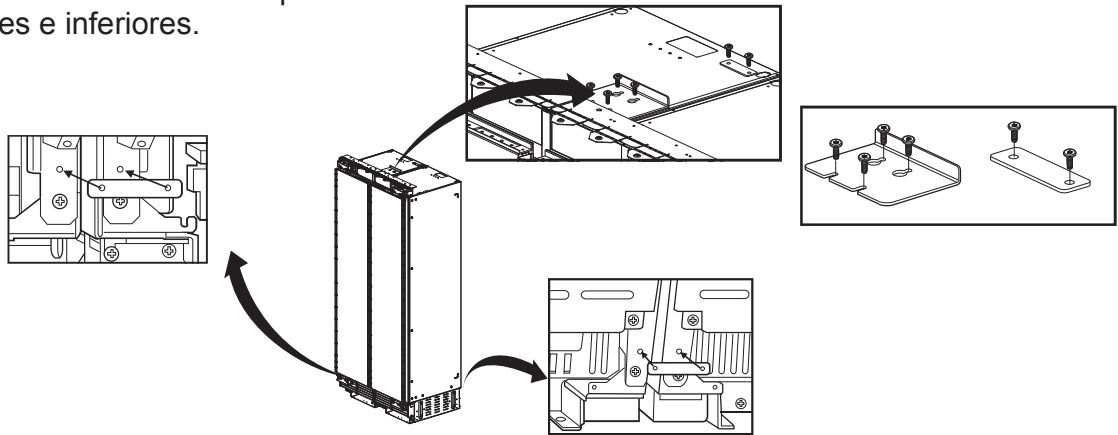
1. Desembale el kit de unificación y asegúrese de que no falta ningún accesorio.
2. Coloque los electrodomésticos uno junto al otro según la configuración de instalación deseada.
3. Retire los paneles de la base de ambos aparatos.
4. Fije la alfombrilla de sellado suministrada sobre el lado del congelador que va a quedar contra el refrigerador. (La alfombrilla de sellado deberá estar ubicada entre los dos electrodomésticos después de que se conecten).

Instale la alfombrilla de sellado gris sobre las tiras de sellado negras previamente instaladas, de modo que el borde de la alfombrilla quede al ras con el borde posterior del congelador. Quedará un pequeño espacio libre en el borde delantero, donde se insertará la tira de relleno entre los dos electrodomésticos.

Pueden adquirirse kits de unificación adicionales en Signature Kitchen Suite (número de pieza SKSFJ800P).



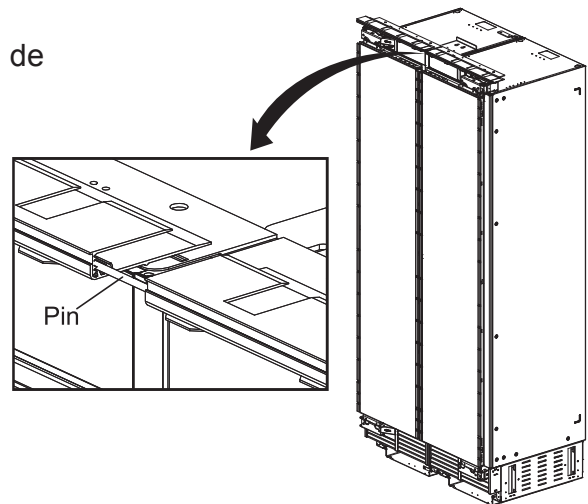
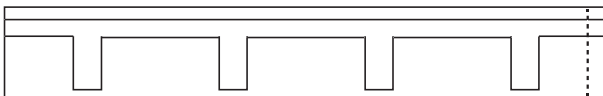
5. Coloque los electrodomésticos uno bien junto al otro.  
Fije los aparatos entre sí mediante la instalación de soportes de conexión en las partes superiores e inferiores.



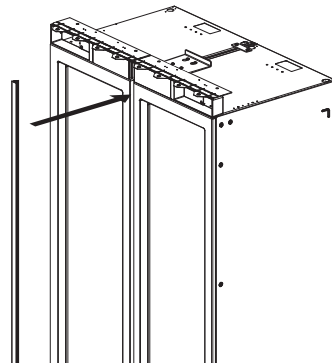
6. Inserte el pasador suministrado en los dos rieles de cobertura en la parte superior de las unidades combinadas.

**NOTA:**

En remodelaciones donde se instalen columnas de 18" y 30" en una estructura de 47 1/2" de ancho, recorte 1/4" de uno de los lados en ambos rieles de cobertura.



7. Inserte la tira de relleno en el espacio existente entre los aparatos. La tira de relleno se incluye en el kit de unificación.



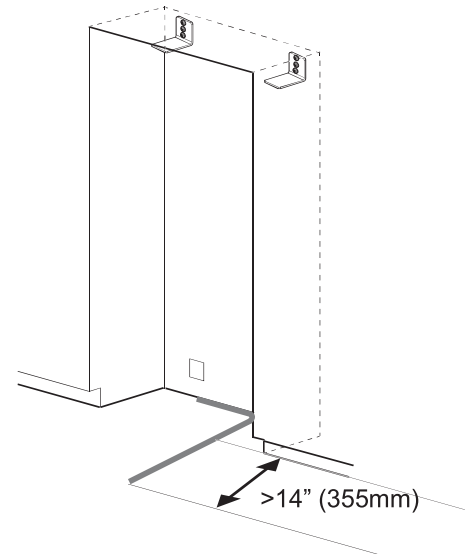
## Preparación para conectar la línea de agua

### NOTA:

Cierre la válvula principal de corte de agua para evitar inundaciones y daños a la propiedad.

Instale la línea de agua.

Siempre siga las indicaciones sobre las dimensiones para evitar daños a la línea de agua cuando empuje el aparato en su lugar.



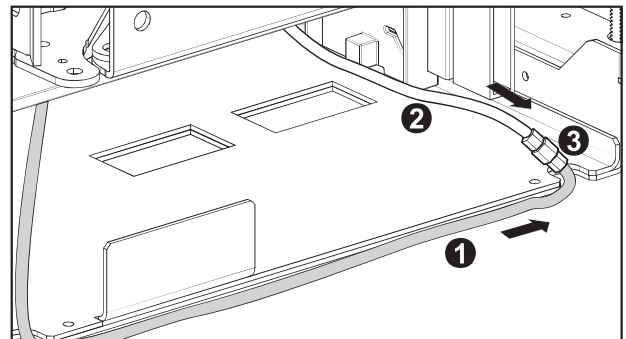
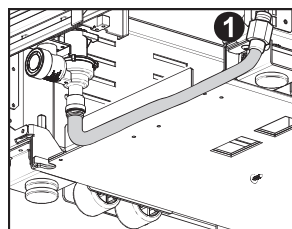
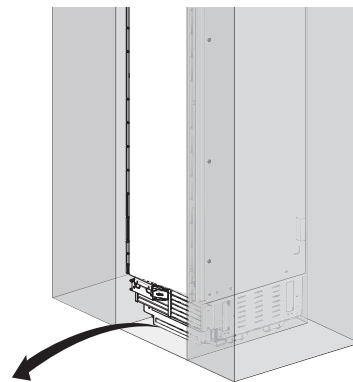
ESPAÑOL

## Conexión a la línea de agua

### NOTA:

Al curvar la línea de agua, no la retuerza. De lo contrario, existe el riesgo de que se produzcan fugas y daños por acción del agua.

1. Retire la tapa de la conexión del electrodoméstico (1.).
2. Curve la línea de agua según el lugar de la conexión en el aparato (2.).
3. Empuje la tuerca de unión y el sello en la línea de agua.
4. Empuje el extremo de la línea de agua dentro de la conexión del electrodoméstico y enrosque la tuerca de unión (3.). Apriete manualmente.
5. Con la llave fija, ajuste la tuerca de unión. No fuerce el giro.



## Colocación de la insignia

- Para colocar la insignia, calque o recorte la plantilla que figura más abajo y ubíquela de acuerdo a los diseños de paneles que figuran a continuación.
- Alinee la plantilla en la esquina superior más cercana a la bisagra y coloque la insignia.

