

48" ELMDALE WHITE VANITY WITH UNDERMOUNT SINK - OUTLET

SKU: 955283-48-um

Code: SH563374, SH563375, SH563376



FEATURES

Material: Wood
Product Finish: White
Number of Doors: 4
Number of Drawers: 6
Soft-Close Hinges: Yes
Soft-Close Slides: Yes
Full Extension Drawer Slides: Yes
Dovetail Drawers: Yes
Adjustable Shelves: No
Electrical Outlet: Yes
Hardware Finish: Polished Nickel
Hardware Material: Zinc
Built-In Adjusters: Yes

Massachusetts Accepted, UL-962A, CAN/CSA-C22.2 No. 308, LISTED ID: BY213-D01, 506895



ADDITIONAL FEATURES

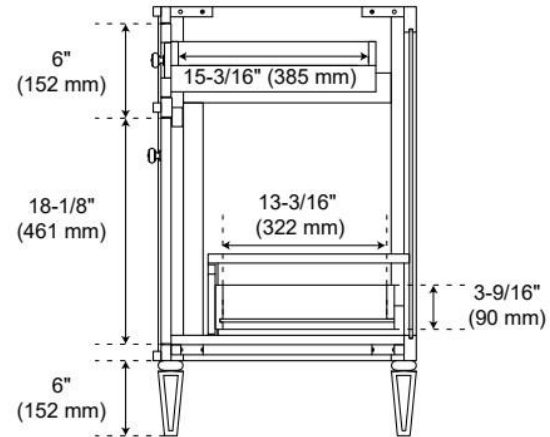
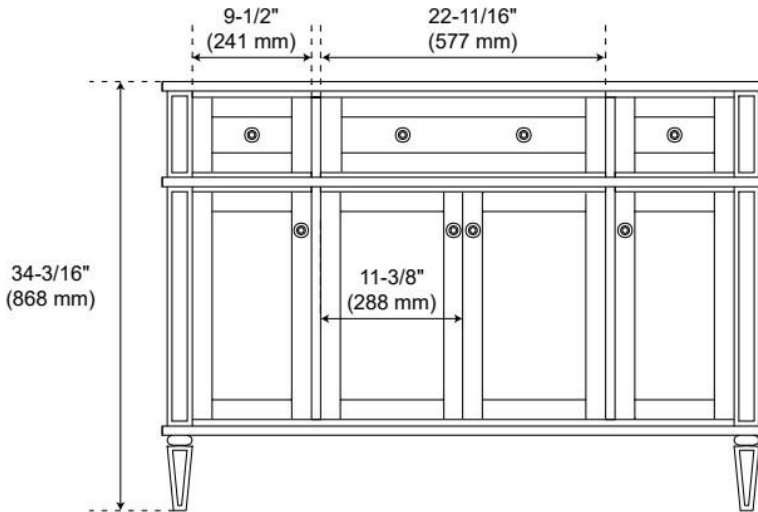
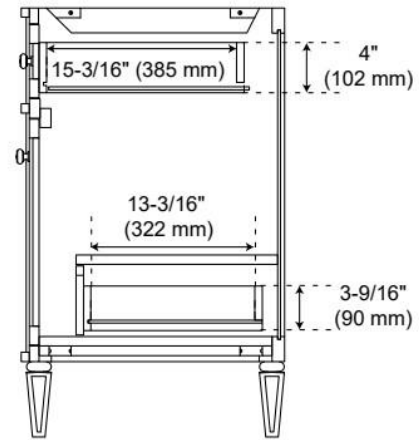
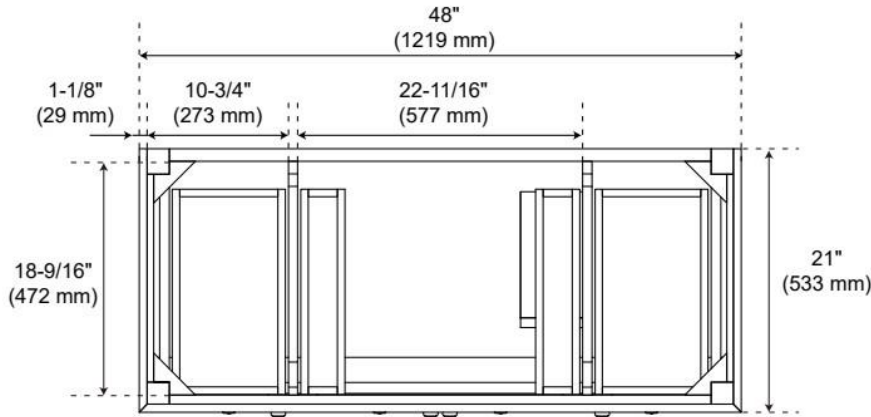
- Solid wood cabinet.
- Engineered wood panels.
- A built-in power box features two outlets and two USB ports.
- Includes a matching backsplash and white porcelain sink.
- Polished Carrara Marble is sourced from Italy.
- Each stone top is carved from a single piece of stone and will feature natural variations.
- See Installation Instructions for directions to attach the vanity top and sink.
- All dimensions are ($\pm 1/2"$).

REVISED 3/23/2026

48" ELMDALE WHITE VANITY WITH UNDERMOUNT SINK - OUTLET

SKU: 955283-48-um

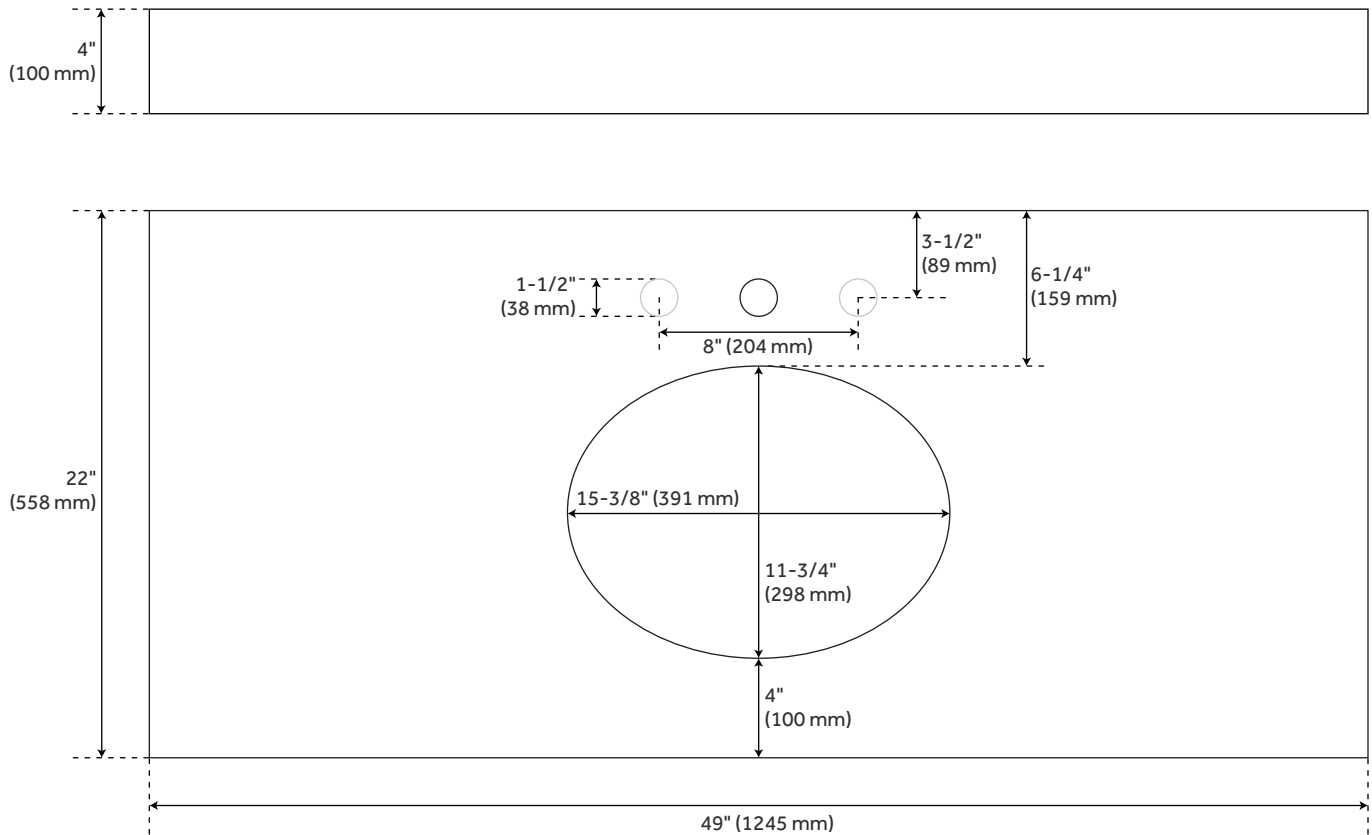
Code: SH563374, SH563375, SH563376



REVISED 3/23/2026

49" x 22"

3CM VANITY TOP FOR UNDERMOUNT SINK



All dimensions and specifications are nominal and may vary. Use actual products for accuracy in critical situations.

18" MANGROVE OVAL PORCELAIN UNDERMOUNT BATHROOM SINK - WHITE

SKU: 220658
Code: SH220658



FEATURES

Material: Porcelain
Product Finish: White
Installation Type: Undermount
Shape: Oval
Drain Placement: Center
Fits Drain Hole Size: 1-1/2"
Faucet Centers: No Faucet Hole
Overflow Hole: Yes
Mounting Hardware Included: No

LISTED ID: 506895



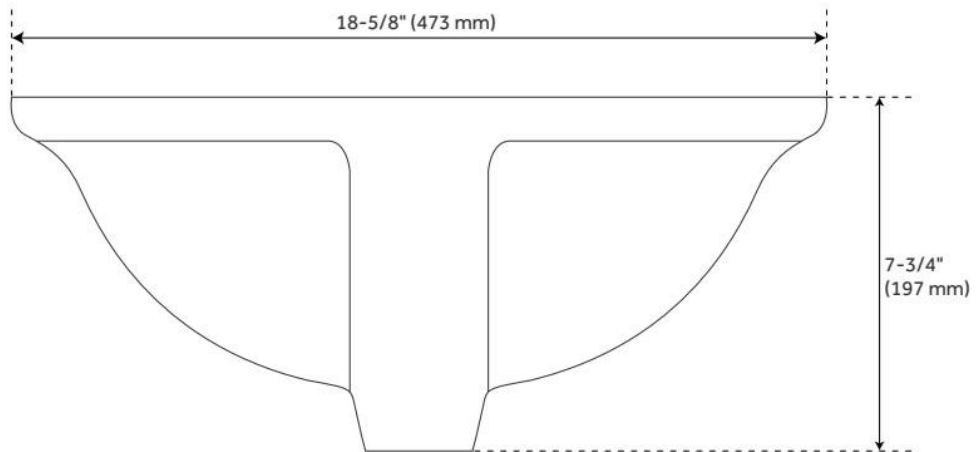
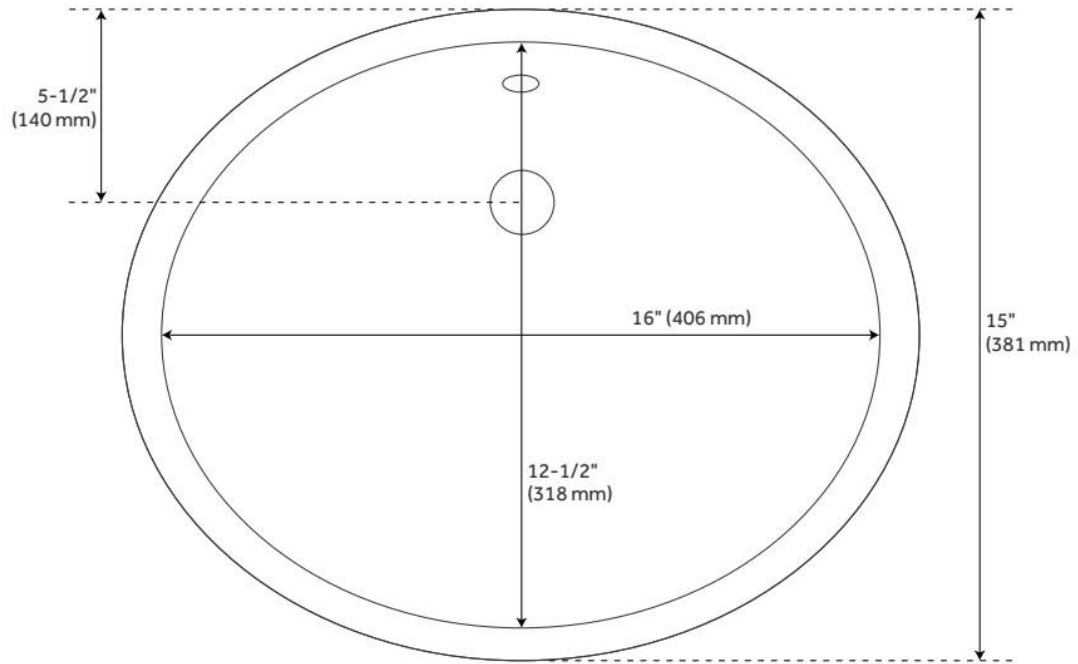
ADDITIONAL FEATURES

- Overall dimensions: 18-5/8" L x 15" W (front to back) x 7-3/4" H (± 1/2").
- Basin: 16" L x 12-1/2" W (front to back).
- Basin depth is 5" to overflow.
- 1-1/2" drain hole.

REVISED 6/27/2025

18" MANGROVE OVAL PORCELAIN UNDERMOUNT BATHROOM SINK - WHITE

SKU: 220658
Code: SH220658



REVISED 6/27/2025