

30" ELMDALE ANTIQUE BROWN VANITY WITH RECT. UNDERMOUNT SINK - OUTLET

SKU: 955282-30-rumb

Code: SH563293, SH563294, SH563295, SH563296, SH563297, SH563298, SH563299, SH563300, SH563301



FEATURES

Material: Wood
Product Finish: Antique Brown
Number of Doors: 2
Number of Drawers: 2
Soft-Close Hinges: Yes
Soft-Close Slides: Yes
Full Extension Drawer Slides: Yes
Dovetail Drawers: Yes
Adjustable Shelves: No
Electrical Outlet: Yes
Hardware Finish: Antique Brass
Hardware Material: Brass
Built-In Adjusters: Yes

Massachusetts Accepted, UL-962A, CAN/CSA-C22.2 No. 308, LISTED ID: 506897, BY213-D01



ADDITIONAL FEATURES

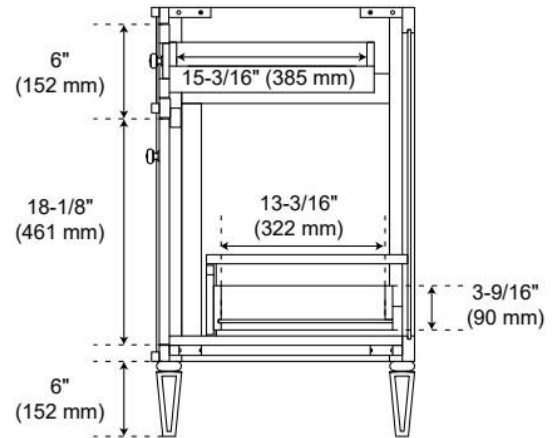
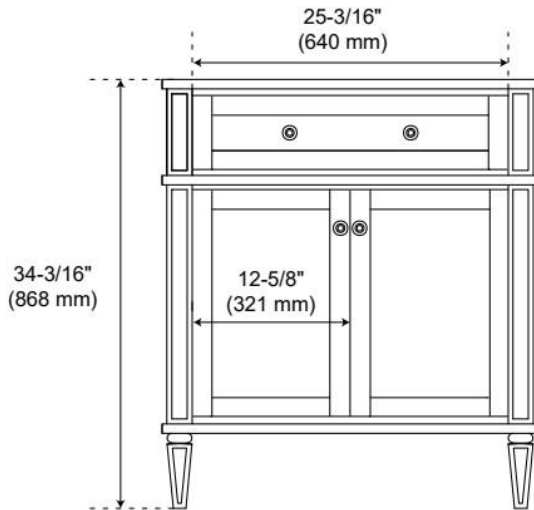
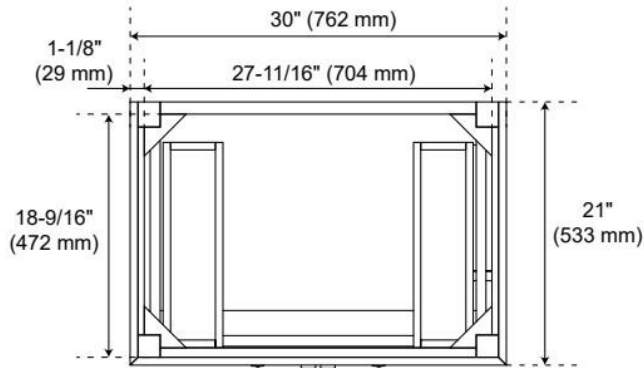
- Solid wood cabinet.
- Engineered wood panels.
- A built-in power box features two outlets and two USB ports.
- Includes a matching backsplash and white porcelain sink.
- Polished Carrara Marble is sourced from Italy.
- Each stone top is carved from a single piece of stone and will feature natural variations.
- See Installation Instructions for directions to attach the vanity top and sink.
- All dimensions are ($\pm 1/2$ ").

REVISED 3/23/2026

30" ELMDALE ANTIQUE BROWN VANITY WITH RECT. UNDERMOUNT SINK - OUTLET

SKU: 955282-30-rumb

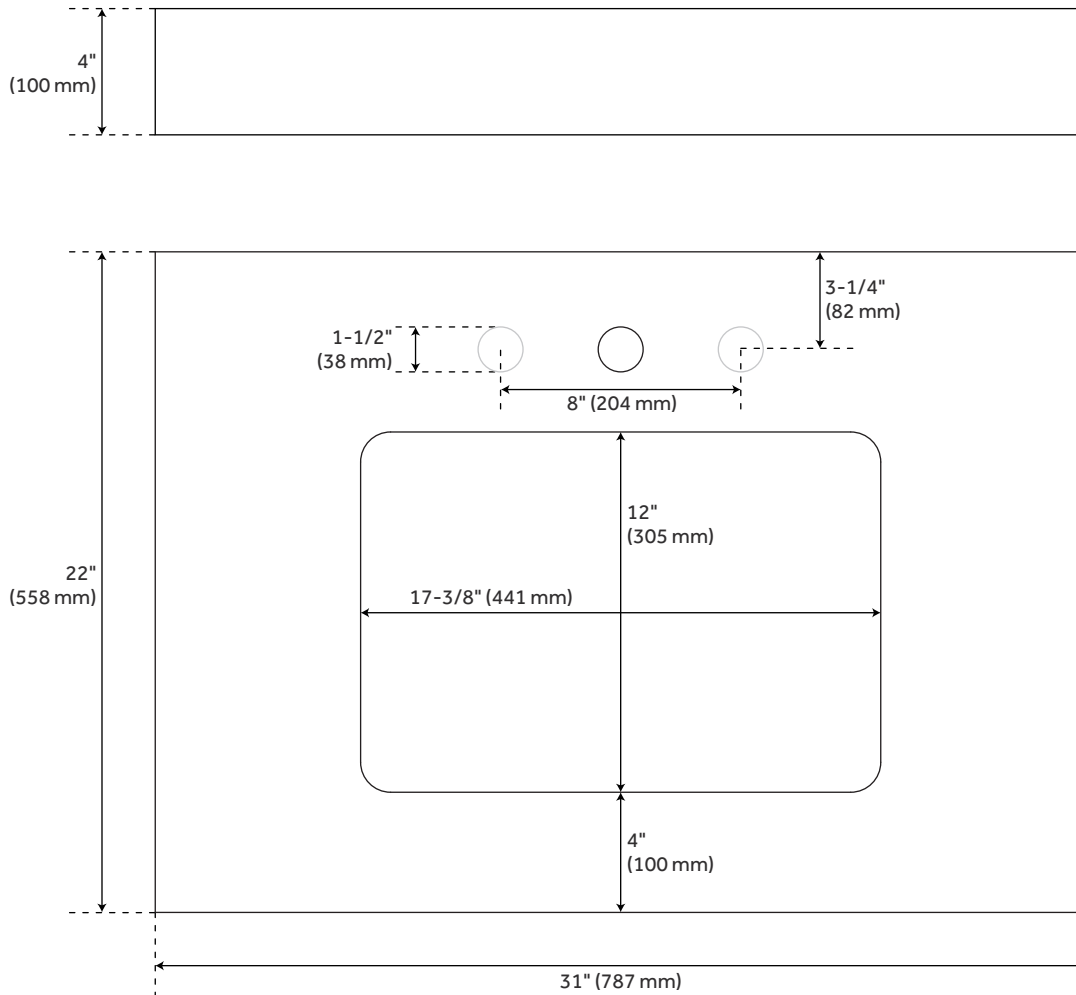
Code: SH563293, SH563294, SH563295, SH563296, SH563297, SH563298, SH563299, SH563300, SH563301



REVISED 3/23/2026

31" x 22"

3CM VANITY TOP FOR RECTANGULAR UNDERMOUNT SINKS



All dimensions and specifications are nominal and may vary. Use actual products for accuracy in critical situations.

AVALON RECTANGULAR PORCELAIN UNDERMOUNT BATHROOM SINK - WHITE

SKU: 416462
Code: SH129027



FEATURES

Material: Porcelain
Product Finish: White
Installation Type: Undermount
Shape: Rectangle
Drain Placement: Center
Fits Drain Hole Size: 1-1/2"
Faucet Centers: No Faucet Hole
Overflow Hole: Yes
Mounting Hardware Included: No

LISTED ID: 506897

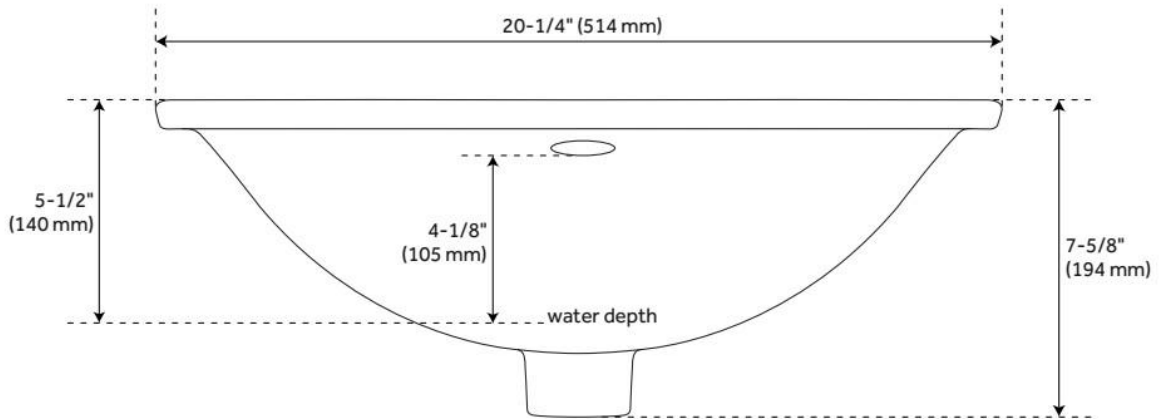
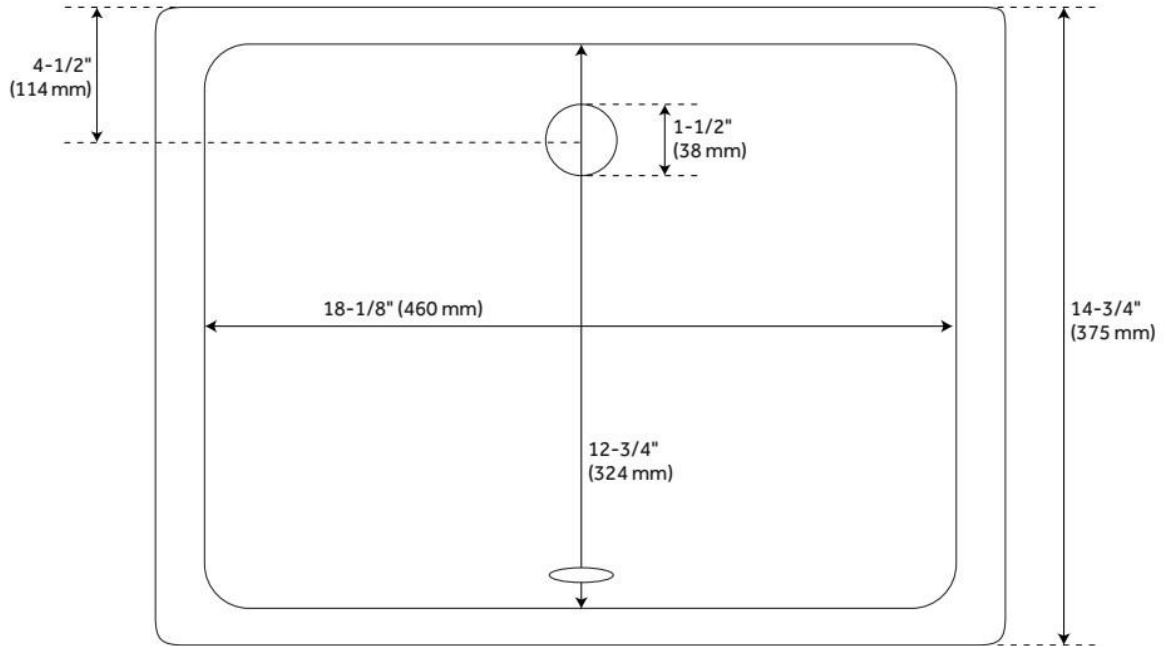


ADDITIONAL FEATURES

REVISED 6/27/2025

AVALON RECTANGULAR PORCELAIN UNDERMOUNT BATHROOM SINK - WHITE

SKU: 416462
Code: SH129027



REVISED 6/27/2025