

# 36" THEROUX VANITY WITH RECTANGULAR UNDERMOUNT SINK - OUTLET - BRIGHT WHITE

SKU: 955277-36-rumb

Code: SH563100, SH563101, SH563102, SH563103, SH563104, SH563105, SH563106, SH563107, SH563108



## FEATURES

Material: Wood  
Product Finish: Bright White  
Number of Doors: 2  
Number of Drawers: 1  
Soft-Close Hinges: Yes  
Soft-Close Slides: Yes  
Full Extension Drawer Slides: Yes  
Dovetail Drawers: Yes  
Electrical Outlet: Yes  
Hardware Finish: Satin Nickel  
Hardware Material: Zinc  
Built-In Adjusters: Yes

Massachusetts Accepted, UL-962A, CAN/CSA-C22.2 No. 308, LISTED ID: 506897



## ADDITIONAL FEATURES

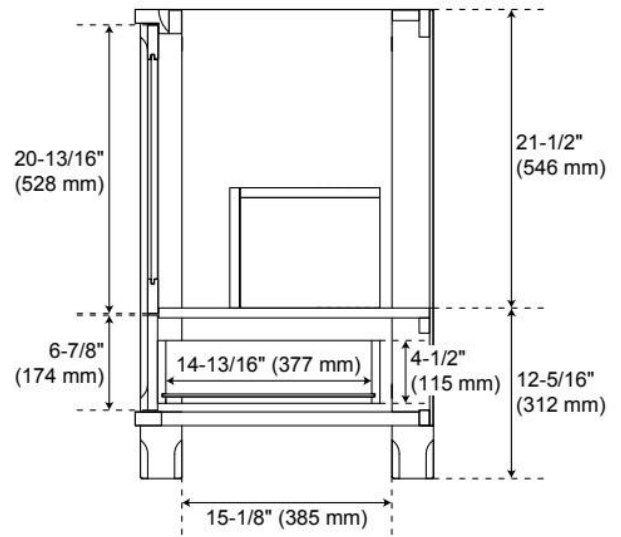
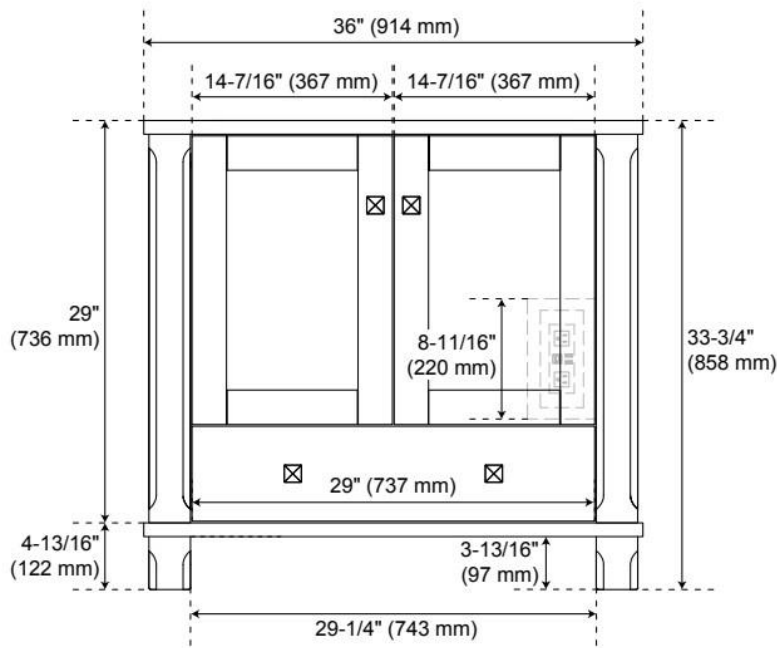
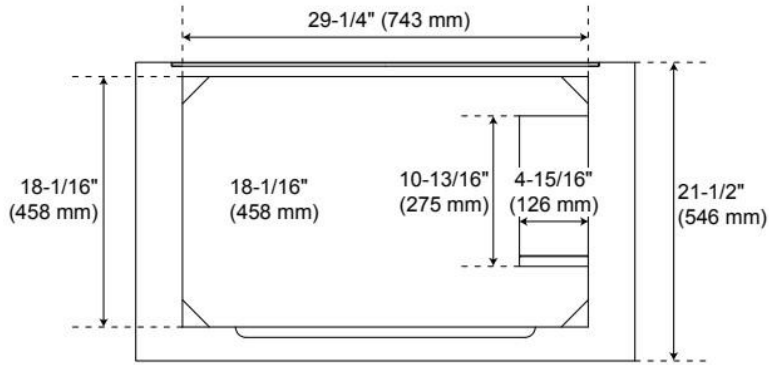
- Wood frame with engineered wood panels.
- A built-in power box features two outlets and two USB ports.
- Includes a matching backsplash and white porcelain sink.
- Polished Carrara Marble is sourced from Italy.
- Each stone top is carved from a single piece of stone and will feature natural variations.
- See Installation Instructions for directions to attach the vanity top and sink.
- All dimensions are ( $\pm 1/2''$ ).

REVISED 4/1/2026

# 36" THEROUX VANITY WITH RECTANGULAR UNDERMOUNT SINK - OUTLET - BRIGHT WHITE

SKU: 955277-36-rumb

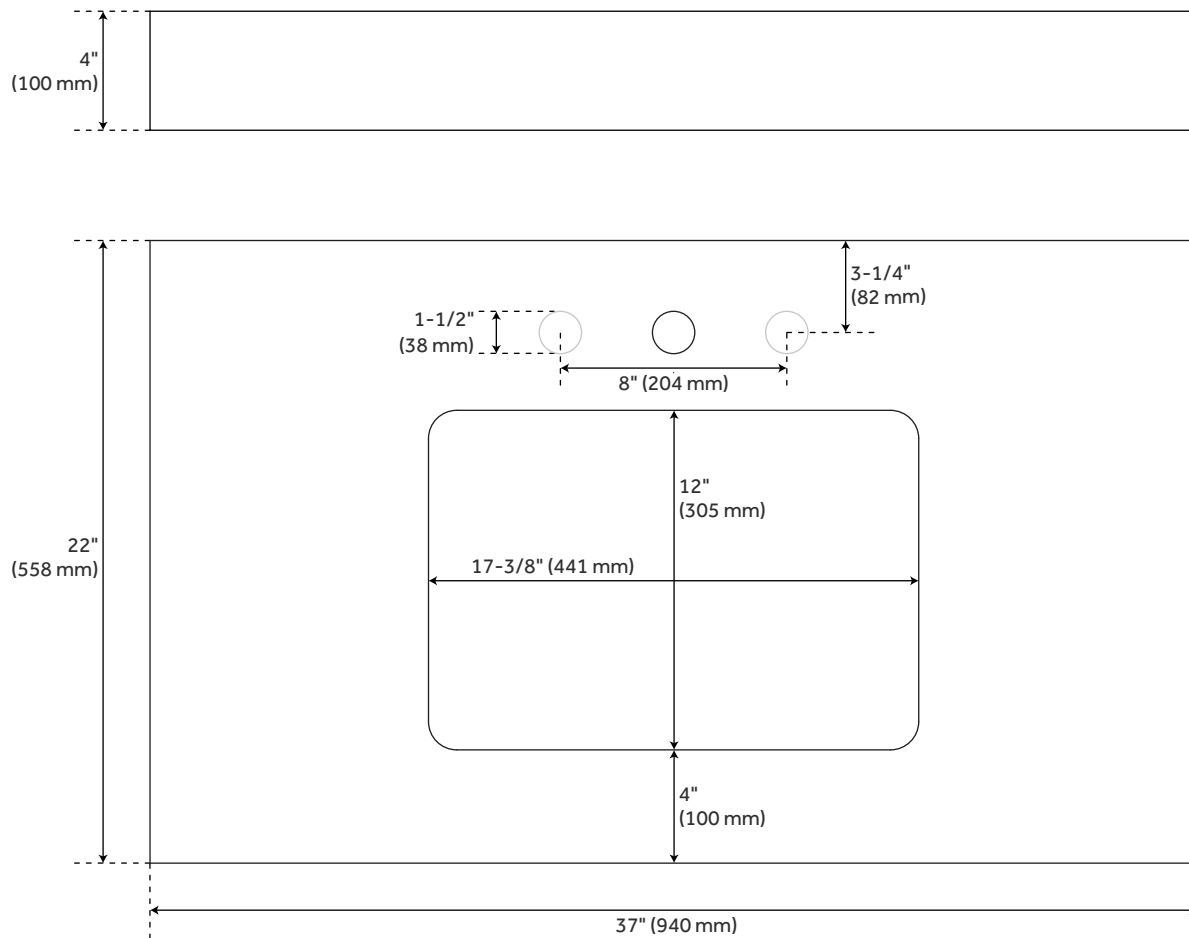
Code: SH563100, SH563101, SH563102, SH563103, SH563104, SH563105, SH563106, SH563107, SH563108



REVISED 4/1/2026

# 37" x 22"

## 3CM VANITY TOP FOR RECTANGULAR UNDERMOUNT SINK



All dimensions and specifications are nominal and may vary. Use actual products for accuracy in critical situations.

# AVALON RECTANGULAR PORCELAIN UNDERMOUNT BATHROOM SINK - WHITE

SKU: 416462  
Code: SH129027



## FEATURES

Material: Porcelain  
Product Finish: White  
Installation Type: Undermount  
Shape: Rectangle  
Drain Placement: Center  
Fits Drain Hole Size: 1-1/2"  
Faucet Centers: No Faucet Hole  
Overflow Hole: Yes  
Mounting Hardware Included: No

LISTED ID: 506897

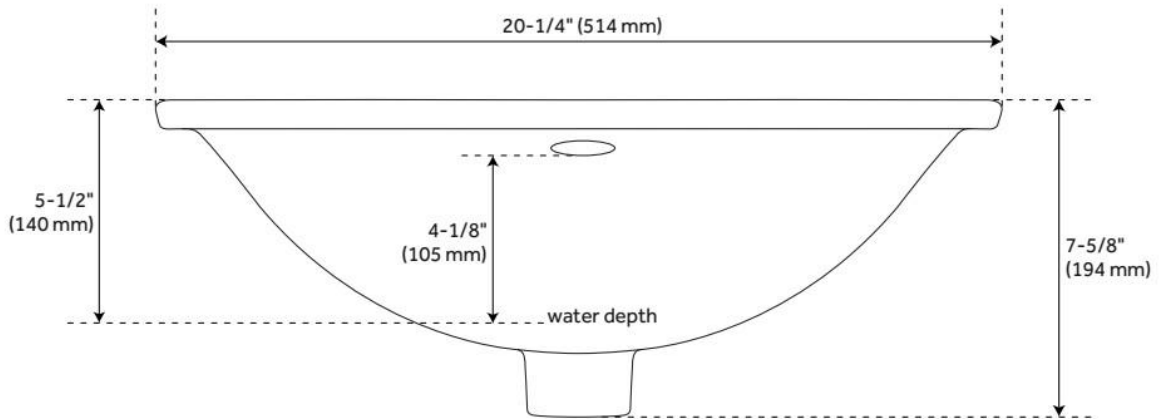
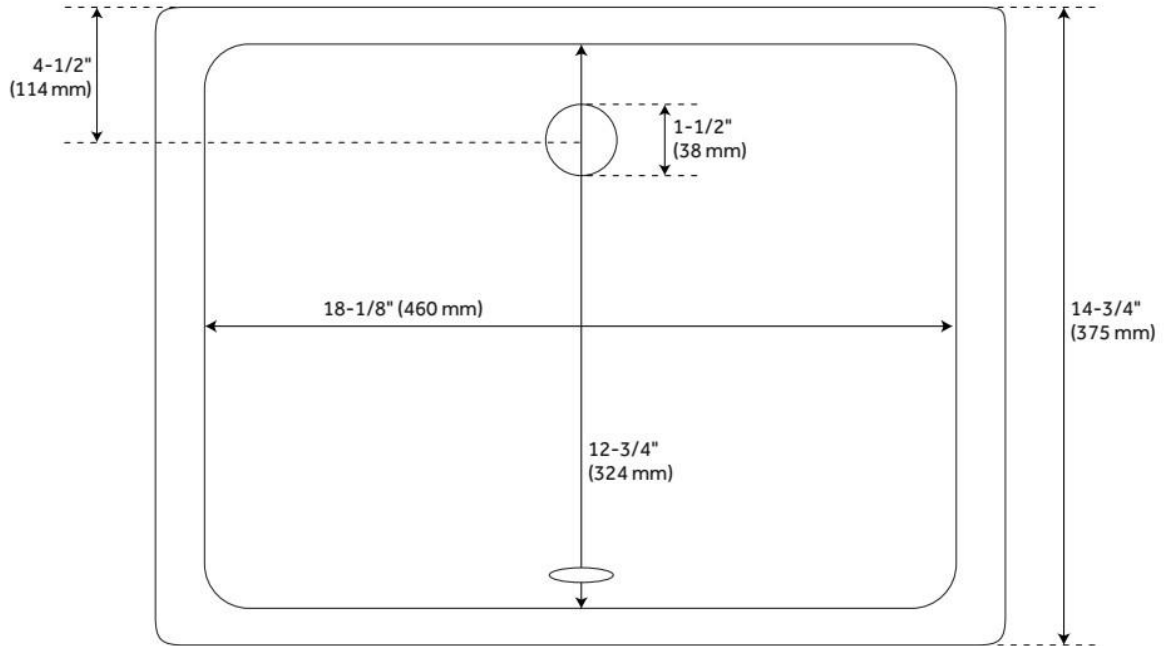


## ADDITIONAL FEATURES

REVISED 6/27/2025

# AVALON RECTANGULAR PORCELAIN UNDERMOUNT BATHROOM SINK - WHITE

SKU: 416462  
Code: SH129027



REVISED 6/27/2025