

ADRIOT ENTRANCE SET - SQUARE ROSETTE - KNOB HANDLE

SKU: 951716-KE
Code: HLK0901

FEATURES

Design: Modern
Material: Zinc
Width: 2-9/16"
Height: 2-9/16"
Depth: 2-11/16"
Mounting Hardware Included: Yes
Mounting Hardware Concealed: No
Centers: 1-5/8"
Door Set Function: Entrance Lock
Mounts From: Front



REVISED 3/13/2023

ADRIOT ENTRANCE SET - SQUARE ROSETTE - KNOB HANDLE

SKU: 951716-KE
Code: HLK0901



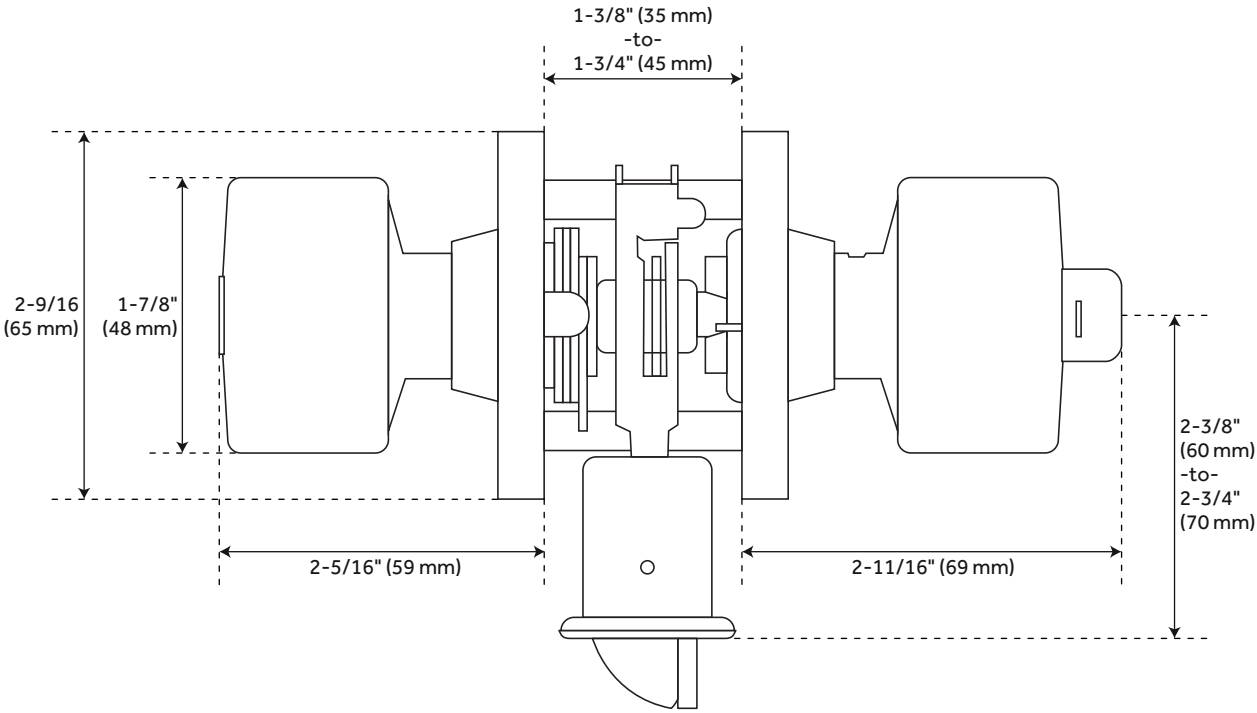
ADDITIONAL FEATURES

- Reversible Handing.
- Adjustable Backset: 2-3/8" to 2-3/4".
- Optional Deadbolt: 2-7/16" W x 2-7/16" H x 1-3/16" D

REVISED 3/13/2023

ADRIOT ENTRANCE SET - SQUARE ROSETTE - KNOB HANDLE

SKU: 951716-KE



All dimensions and specifications are nominal and may vary. Use actual products for accuracy in critical situations.

ADRIOT DEADBOLT - 1-CYLINDER FOR ENTRANCE SET

SKU: 951716-KE-DB

Code: SH478351, SH478353, SH478352, SH478350, SH478347

FEATURES

Design: Modern

Material: Zinc

Width: 2-7/16"

Height: 2-7/16"

Depth: 1-3/16"

Mounting Hardware Included: Yes

Mounting Hardware Concealed: No

Centers: 1"

Door Set Function: Entrance Lock

Mounts From: Front



REVISED 3/13/2023

ADRIOT DEADBOLT - 1-CYLINDER FOR ENTRANCE SET

SKU: 951716-KE-DB

Code: SH478351, SH478353, SH478352, SH478350, SH478347



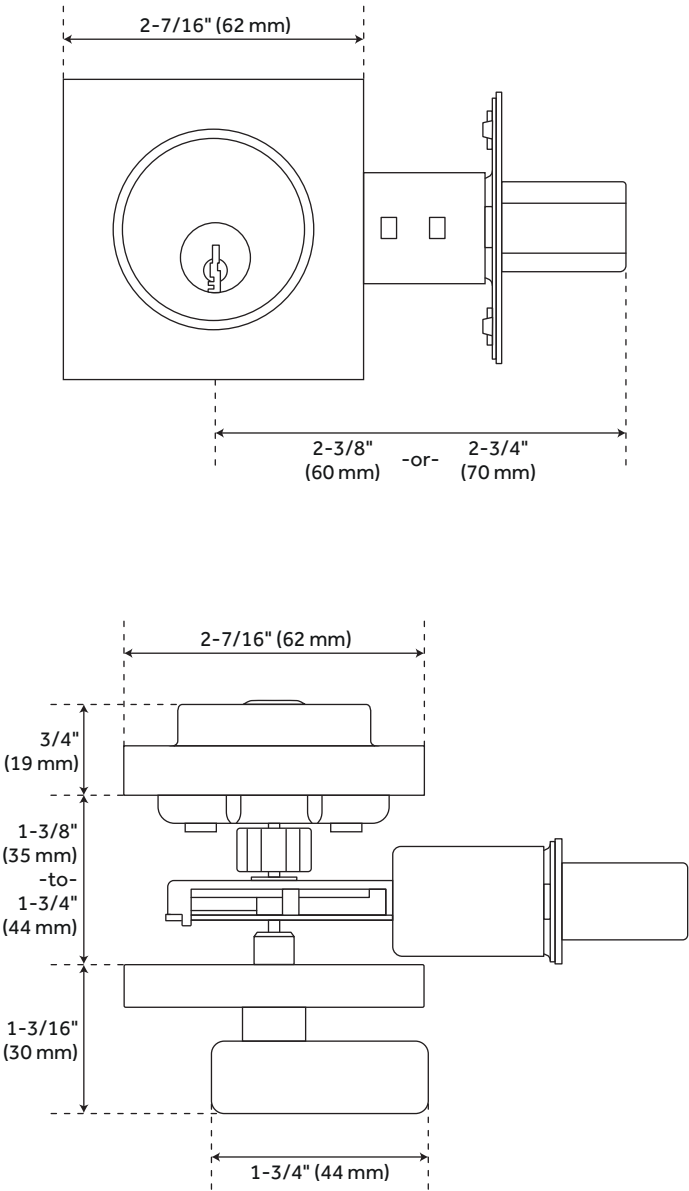
ADDITIONAL FEATURES

- Door Thickness - Fits 1-3/8" to 1-3/4" standard door thickness.
Door Preparation - Cross bore: 2-1/8", edge: 1".
- Heavy Die Cast Rosette.
- KW1 Five Pin Keyway with Brass Pins.
- Nickel Plated Brass Keys (2).
- Reversible Non Handed.

REVISED 3/13/2023

ADRIOT DEADBOLT - 1-CYLINDER FOR ENTRANCE SET

SKU: 951716-KE-DB



All dimensions and specifications are nominal and may vary. Use actual products for accuracy in critical situations.