

# MARCEAU DUAL CONTROL PRESSURE BALANCE TUB AND SHOWER SYSTEM - LEVER HANDLES

SKU: 955194-L

Code: SHMA441019, SH6001, SH441209, SHRSA123, SH441208



## FEATURES

Material: Metal

Shower Head Swivel: Yes

Shower Head Spray: Full

Shower Head Flow Rate: 1.75 gpm (6.6 L/min) @ 80 psi

Flow Rate: Rough-in Valve Capacity: 6.21 gpm (23.5L/min) at 80 psi

Cartridge Type: Ceramic Disc

ASME A112.18.1/CSA B125.1, CEC Listed, CALGreen, WaterSense by IAPMO, LISTED ID: SH6001, SH441208\*, SHRSA123\*, SHMA441019\*, SH441209\*



## ADDITIONAL FEATURES

- Metal construction for ultimate strength and durability.
- Single function shower head with easy clean nozzles.
- Tub spout diverter.
- Included Rough-in valve:
  - Dual control pressure balance valve with integral stops.
  - One-piece ceramic disc cartridge design for ease of maintenance.
  - Back-to-back capability.
  - Adjustable temperature limit stop.
  - Quick remove plaster guard.
  - Easy mounting brackets.
  - Optional air test cap available (ACF4001AIR)

REVISED 5/12/2025

# WALL-MOUNT RAINFALL SHOWER ARM

SKU: 948955

Code: SHRSA123, SHRSA181, SH485514, SHRSA150

## FEATURES

Material: Stainless Steel

Connection Type: 1/2" NPT



ASME A112.18.1/CSA B125.1, Massachusetts Accepted, LISTED ID: SHRSA123\*, SHRSA181\*, SHRSA150\*



## ADDITIONAL FEATURES

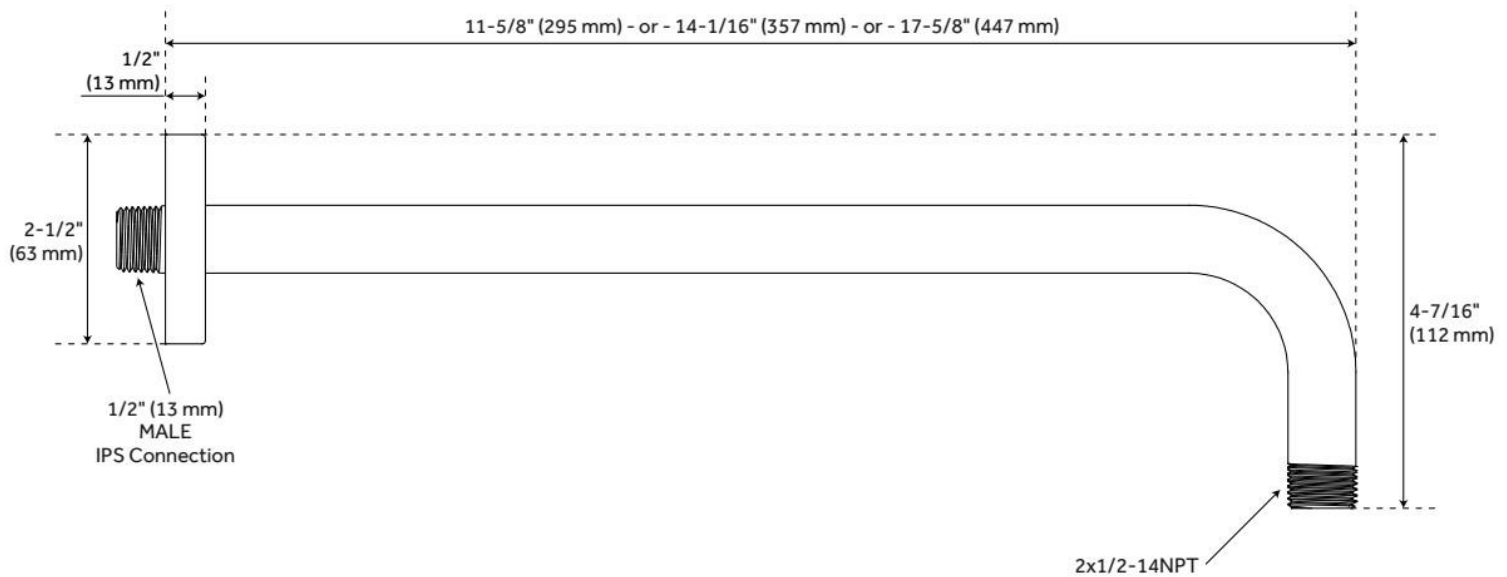
- All dimensions are ( $\pm 1/2"$ ).
- Escutcheon included.

REVISED 12/3/2024

# WALL-MOUNT RAINFALL SHOWER ARM

SKU: 948955

Code: SHRSA123, SHRSA181, SH485514, SHRSA150



REVISED 12/3/2024

# 7" ROUND SINGLE-FUNCTION 1.75 GPM SHOWER HEAD

SKU: 955181  
Code: SH441209



## FEATURES

Material: Metal  
Shower Head Swivel: Yes  
Shower Head Spray: Full  
Shower Head Flow Rate: 1.75 gpm (6.6 L/min) @ 80 psi

ASME A112.18.1/CSA B125.1, CEC Listed, CALGreen, WaterSense by IAPMO, LISTED ID: SH441209\*



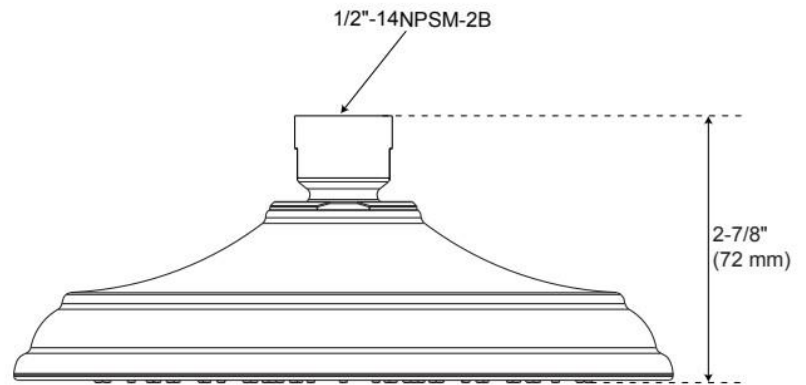
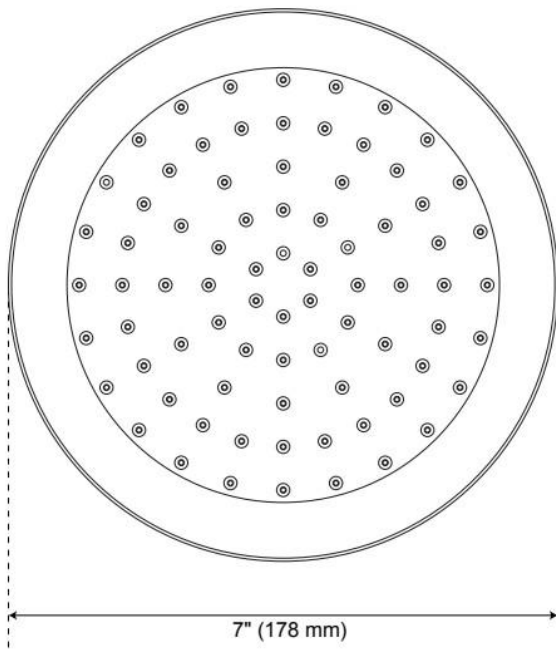
## ADDITIONAL FEATURES

- Single function swivel shower head with easy clean nozzles.

REVISED 4/15/2025

# 7" ROUND SINGLE-FUNCTION 1.75 GPM SHOWER HEAD

SKU: 955181  
Code: SH441209



REVISED 4/15/2025

# MARCEAU TUB SPOUT WITH DIVERTER

SKU: 955176  
Code: SH441208



## FEATURES

Material: Metal

ASME A112.18.1/CSA B125.1, CEC Listed, LISTED ID: SH441208\*

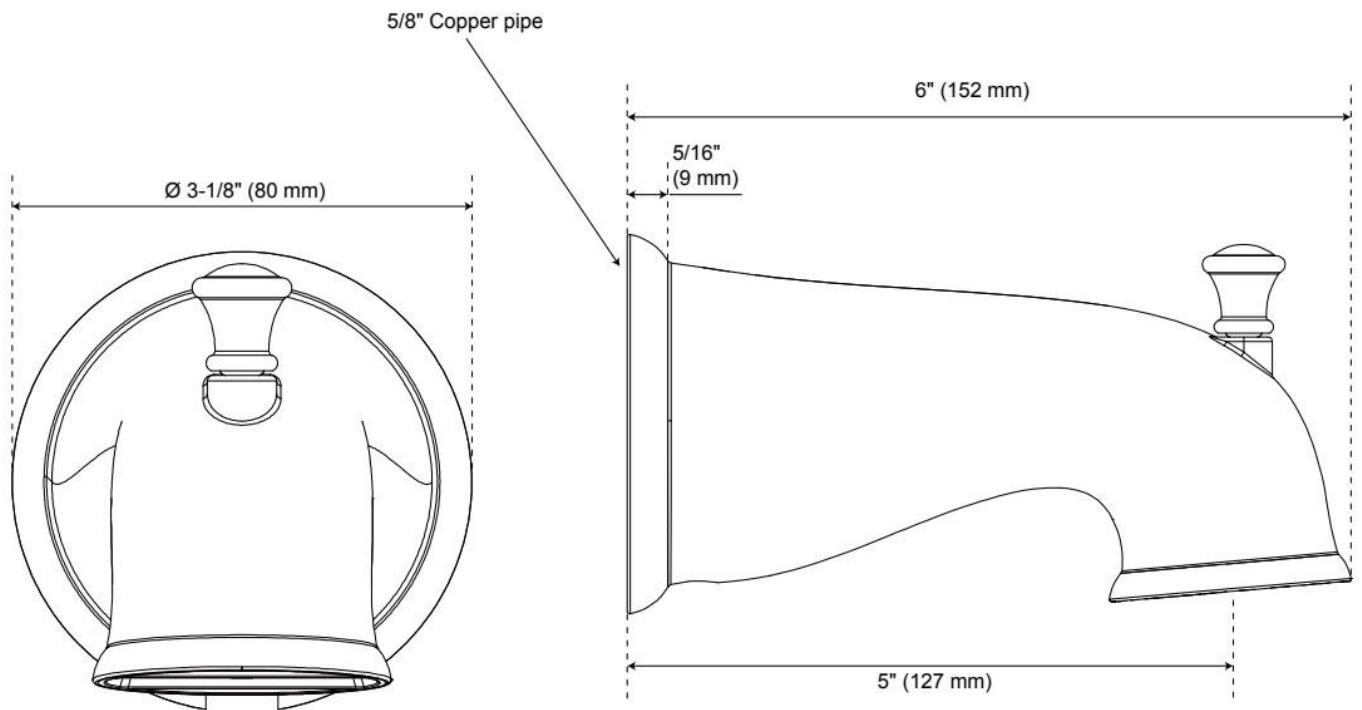


## ADDITIONAL FEATURES

REVISED 4/15/2025

# MARCEAU TUB SPOUT WITH DIVERTER

SKU: 955176  
Code: SH441208



REVISED 4/15/2025

# MARCEAU DUAL CONTROL PRESSURE BALANCE SHOWER TRIM - LEVER HANDLES

SKU: 955200-L

Code: SHMA441019, SH6001



## FEATURES

Material: Metal

Cartridge Type: Ceramic Disc

Required for Installation: SH6001

ASME A112.18.1/CSA B125.1, ICC/ANSI A117.1, LISTED ID: SHMA441019\*, SH6001



## ADDITIONAL FEATURES

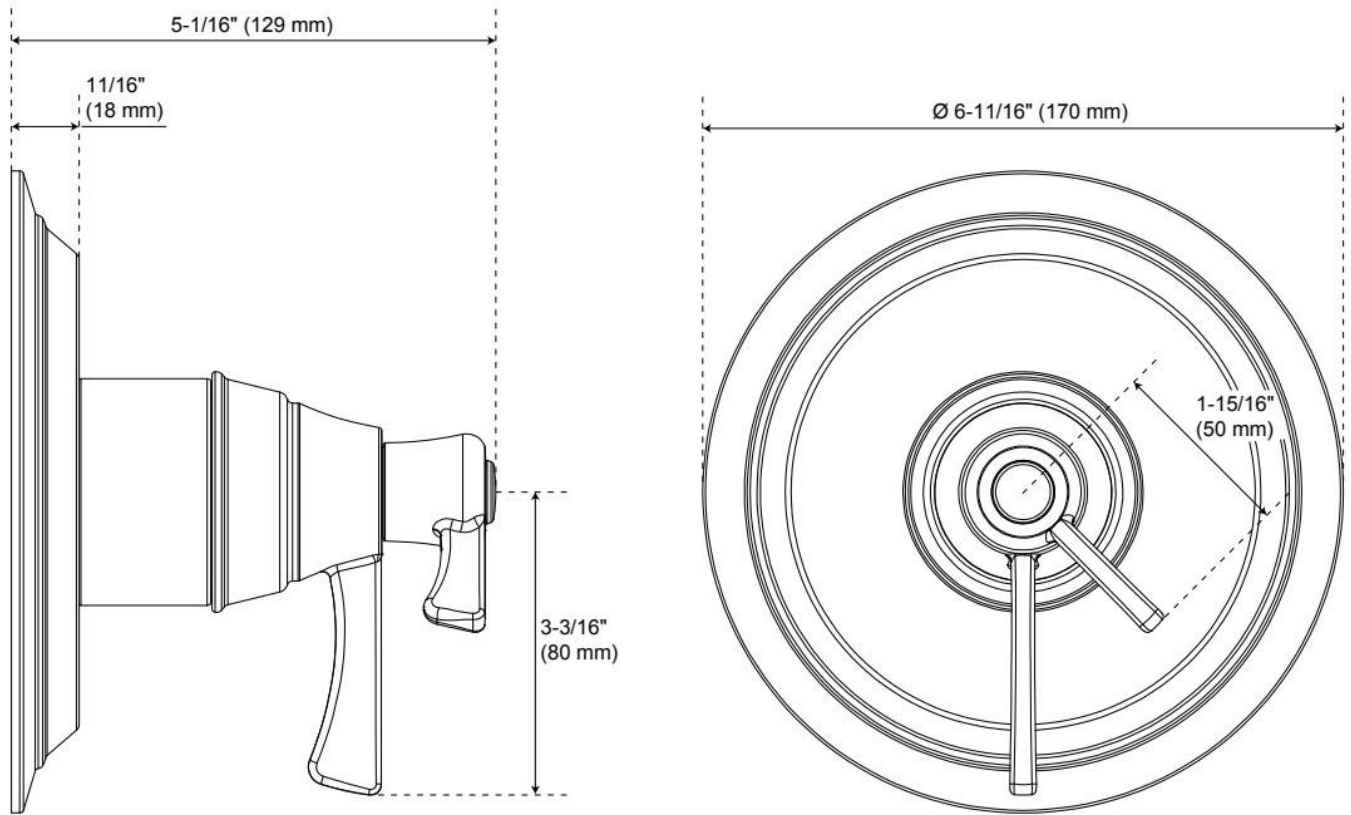
- Metal construction for ultimate strength and durability.
- May purchase with or without valve. Value required for use. (SH6001)
- When purchased with Rough-in Valve:
  - Dual control pressure balance valve with integral stops.
  - One-piece ceramic disc cartridge design for ease of maintenance.
  - Back-to-back capability.
  - Adjustable temperature limit stop.
  - Quick remove plaster guard.
  - Easy mounting brackets.
  - Optional air test cap available (ACF4001AIR)

REVISED 4/17/2025

# MARCEAU DUAL CONTROL PRESSURE BALANCE SHOWER TRIM - LEVER HANDLES

SKU: 955200-L

Code: SHMA441019, SH6001



REVISED 4/17/2025

# DUAL CONTROL PRESSURE BALANCE ROUGH-IN VALVE

SKU: 559885  
Code: SH6001



## FEATURES

Material: Metal  
Flow Rate: Rough-in Valve Capacity - 6.21 gpm (23.5L/min) at 80 psi  
Cartridge Type: Ceramic Disc

Optional Accessory: ACF4001AIR

ASME A112.18.1/CSA B125.1, LISTED ID: SH6001



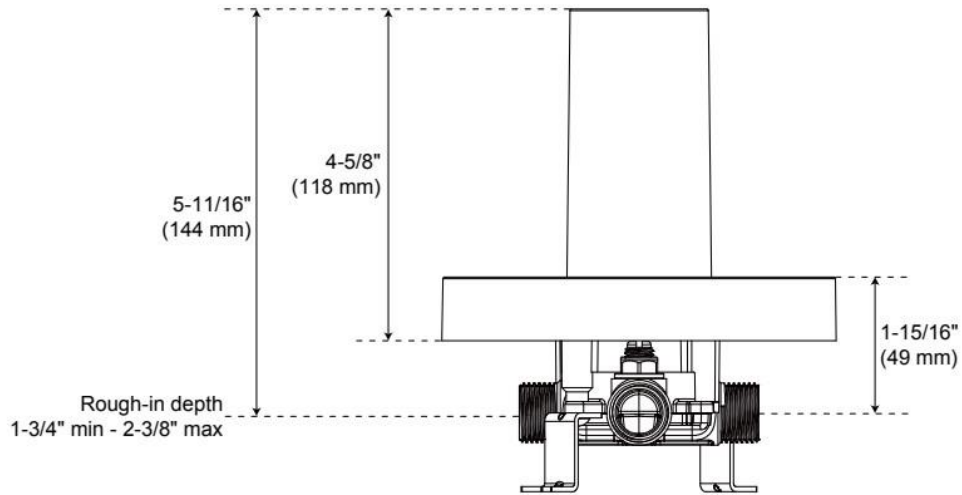
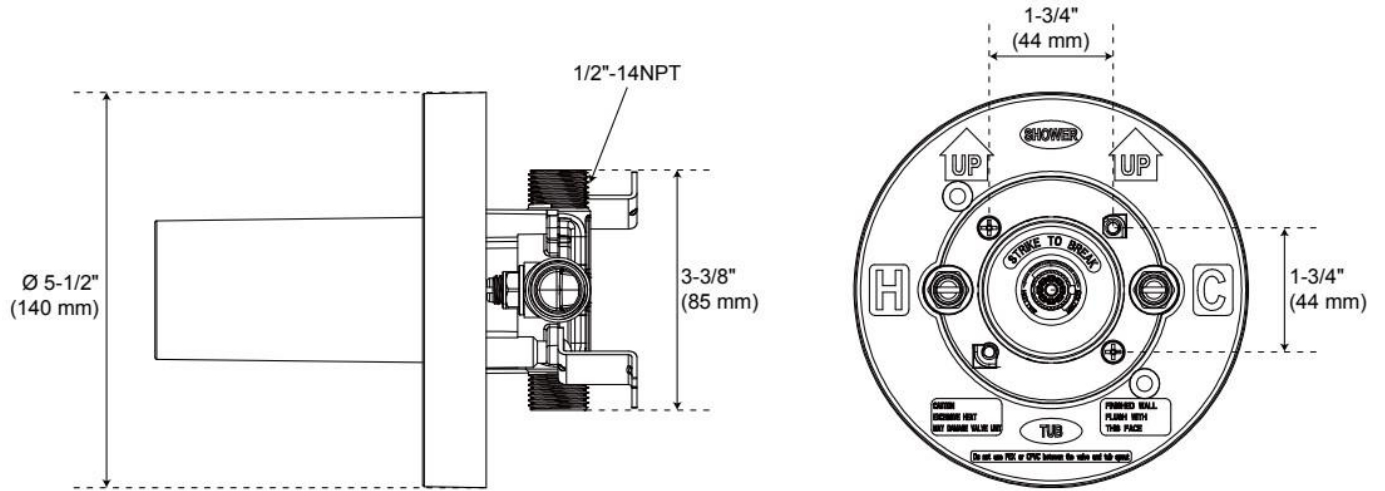
## ADDITIONAL FEATURES

- Dual control pressure balance valve with integral stops.
- One-piece ceramic disc cartridge design for ease of maintenance.
- Back-to-back capability.
- Adjustable temperature limit stop.
- Quick remove plaster guard.
- Easy mounting brackets.
- Optional air test cap available (ACF4001AIR)

REVISED 4/21/2025

# DUAL CONTROL PRESSURE BALANCE ROUGH-IN VALVE

SKU: 559885  
Code: SH6001



REVISED 4/21/2025