

SEFINA THERMOSTATIC SHOWER VALVE TRIM

SKU: 955152

Code: SHSF9009, SH6004, SH6006



FEATURES

Material: Metal

Cartridge Type: Ceramic Disc

Required for Installation: Rough-in valve: SH6006 or SH6004.

ASME A112.18.1/CSA B125.1, Massachusetts Accepted, LISTED ID: SHSF9009XX, SH6004, SH6006



ADDITIONAL FEATURES

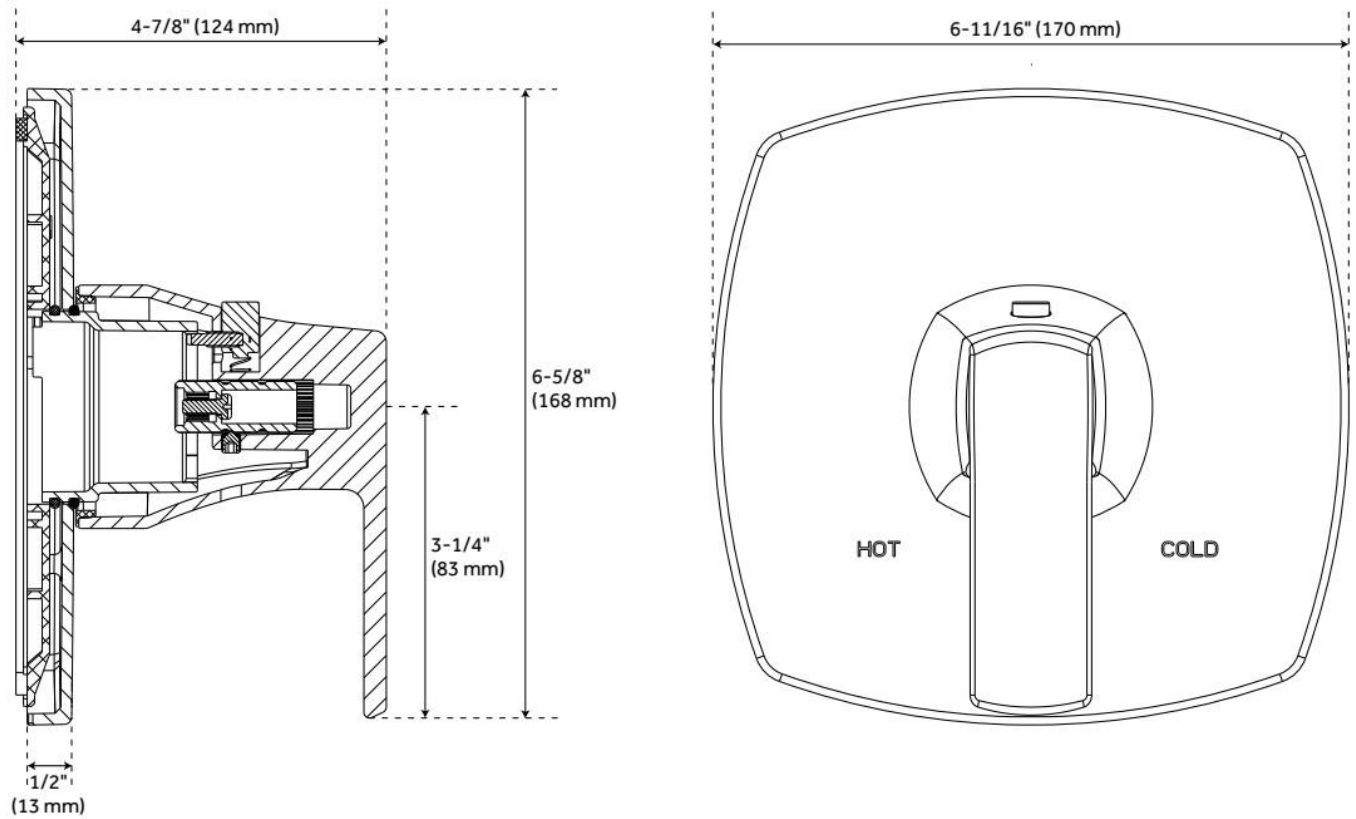
- Temperature outlet factory preset to 104 degrees Fahrenheit.
- High temperature limit stop.
- Wall thickness range: 1" to 1-3/4".
- Ceramic cartridge.
- Recommended valve installation depth 1-5/8" to 2-3/8".

REVISED 1/8/2025

SEFINA THERMOSTATIC SHOWER VALVE TRIM

SKU: 955152

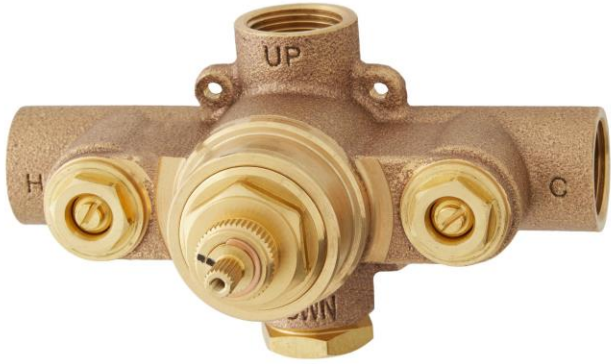
Code: SHSF9009, SH6004, SH6006



REVISED 1/8/2025

THERMOSTATIC ROUGH-IN VALVE - 1/2" CONNECTION

SKU: 447693
Code: SH6004



FEATURES

Material: Bronze
Flow Rate: 12.9 gpm (48.8 L/min) @ 80 psi
Connection Type: 1/2" NPT
Cartridge Type: Thermostatic

IAPMO, ASME A112.18.1/CSA B125.1, Massachusetts Accepted, LISTED ID: SH6004



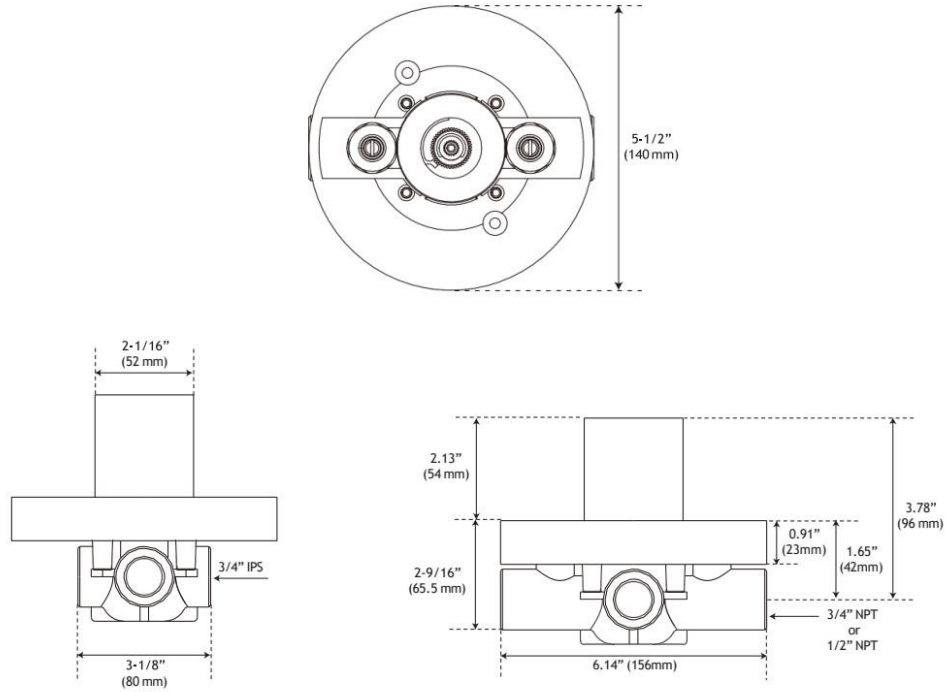
ADDITIONAL FEATURES

- Compatible with Beasley, Berwyn, Boca Raton, Drea, Edenton, Elita, Greyfield, Gunther, Hibiscus, Key West, Lentz, Lexia, Pendleton, Pinecrest, Provincetown, Rigi, Sefina, Vassor and Vilamonte Thermostatic Valve Trim.
- For proper installation, requires use of volume control valve and trim.
- Bronze valve body.
- Factory-calibrated comfort setting at 104 degrees Fahrenheit.
- Water inlet stops and check valve.
- Thermostatic technology keeps shower temperature ± 1 degree Celsius.

REVISED 1/8/2025

THERMOSTATIC ROUGH-IN VALVE - 1/2" CONNECTION

SKU: 447693
Code: SH6004



REVISED 1/8/2025