

SEFINA 4-HOLE ROMAN TUB FAUCET AND HAND SHOWER

SKU: 955151

Code: SHSF4RTG, SH674164



FEATURES

Faucet Centers: 6"-10"

Installation Type: Deck Mount

Hand Shower Flow Rate: 1.75 gpm (6.6 L/min) @ 80 psi

Spray Type: Single

Cartridge Type: Ceramic Disc

Swivel Spout: No

Required for Installation: Rough-in valve: SH674164

ASME A112.18.1/CSA B125.1, CEC Listed, WaterSense by IAPMO, LISTED ID: SHSF4RTGX, SH674164



ADDITIONAL FEATURES

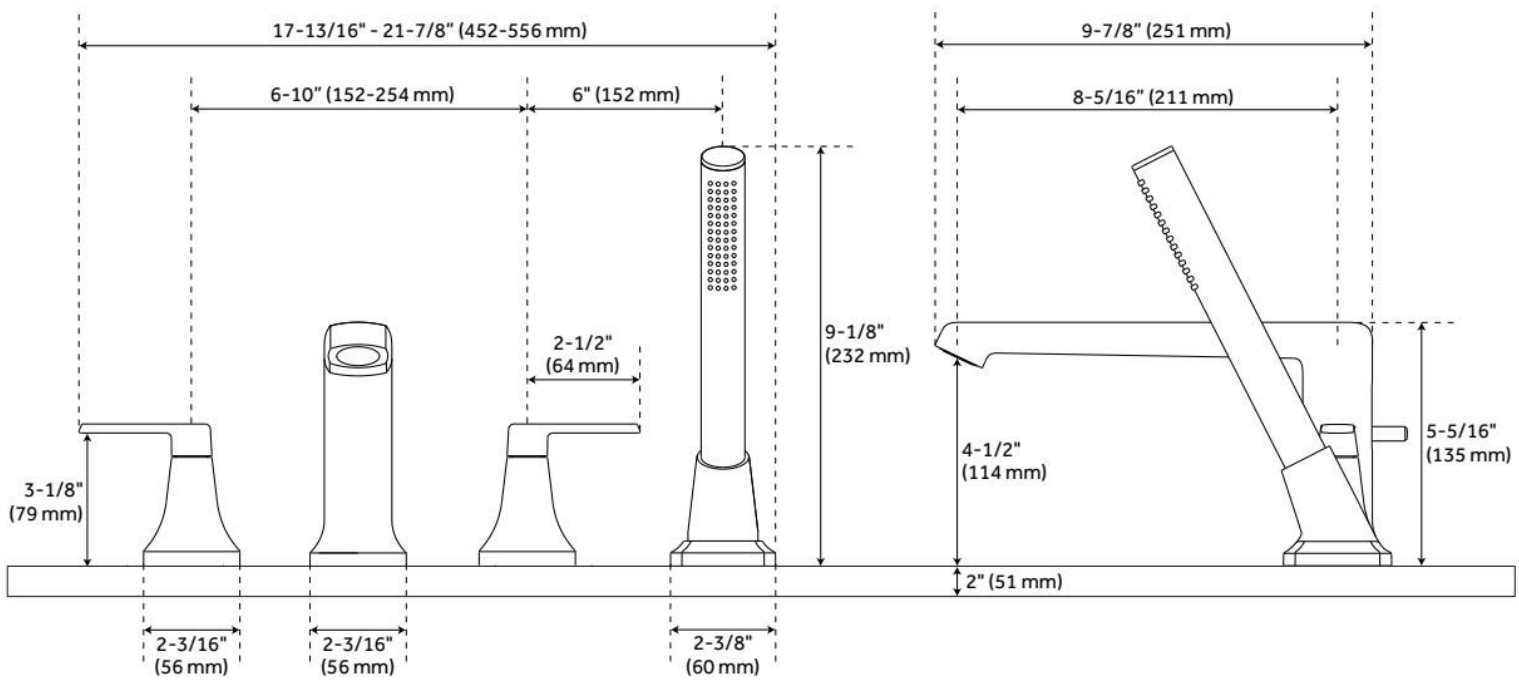
- 4-hole installation.
- Deck thickness max: 2"
- Spout reach: 8-5/16".
- Tub spout flow rate: 7.95 Gpm (30 L/min) @ 20 PS.
- Optional rough-in valve:
 - Rough-in-valve: 4-Hole Installation.
 - Brass coupling nut.
 - Faucet can be installed with variable centers from 8" - 16".

REVISED 1/8/2025

SEFINA 4-HOLE ROMAN TUB FAUCET AND HAND SHOWER

SKU: 955151

Code: SHSF4RTG, SH674164



REVISED 12/30/2024

4-HOLE ROMAN TUB FAUCET ROUGH-IN VALVE

SKU: 448005
Code: SH674164

FEATURES

Installation Type: Deck Mount



ASME A112.18.1/CSA B125.1, Massachusetts Accepted, LISTED ID: SH674164



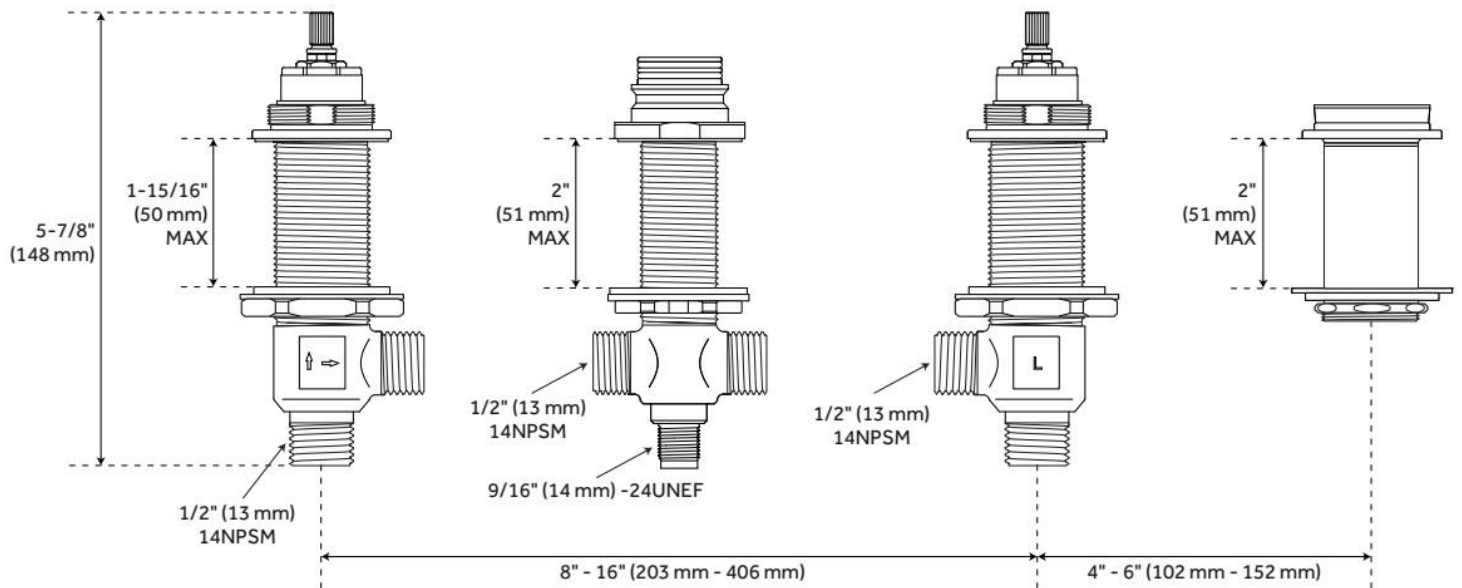
ADDITIONAL FEATURES

- Compatible with Beasley, Carraway, Provincetown, St. Martin and Vilamonte 4-Hole Roman Tub Faucets.
- 4-Hole Installation.
- Brass coupling nut.
- Faucet can be installed with variable centers from 8" - 16".

REVISED 5/15/2024

4-HOLE ROMAN TUB FAUCET ROUGH-IN VALVE

SKU: 448005
Code: SH674164



REVISED 5/15/2024