

BERWYN 4-HOLE ROMAN TUB FAUCET AND HAND SHOWER

SKU: 955101

Code: SHBW4RTG, SH674164



FEATURES

Material: Metal construction for strength and durability

Faucet Centers: 6-10"

Installation Type: Deck Mount

Hand Shower Flow Rate: 1.75 gpm (6.6 L/min) @ 80 psi

Spray Type: Full

Cartridge Type: Ceramic Disc

Swivel Spout: No

Required for Installation: Rough-in valve: SH674164

ASME A112.18.1/CSA B125.1, CEC Listed, WaterSense by IAPMO, LISTED ID: SHBW4RTGXX, SH674164



ADDITIONAL FEATURES

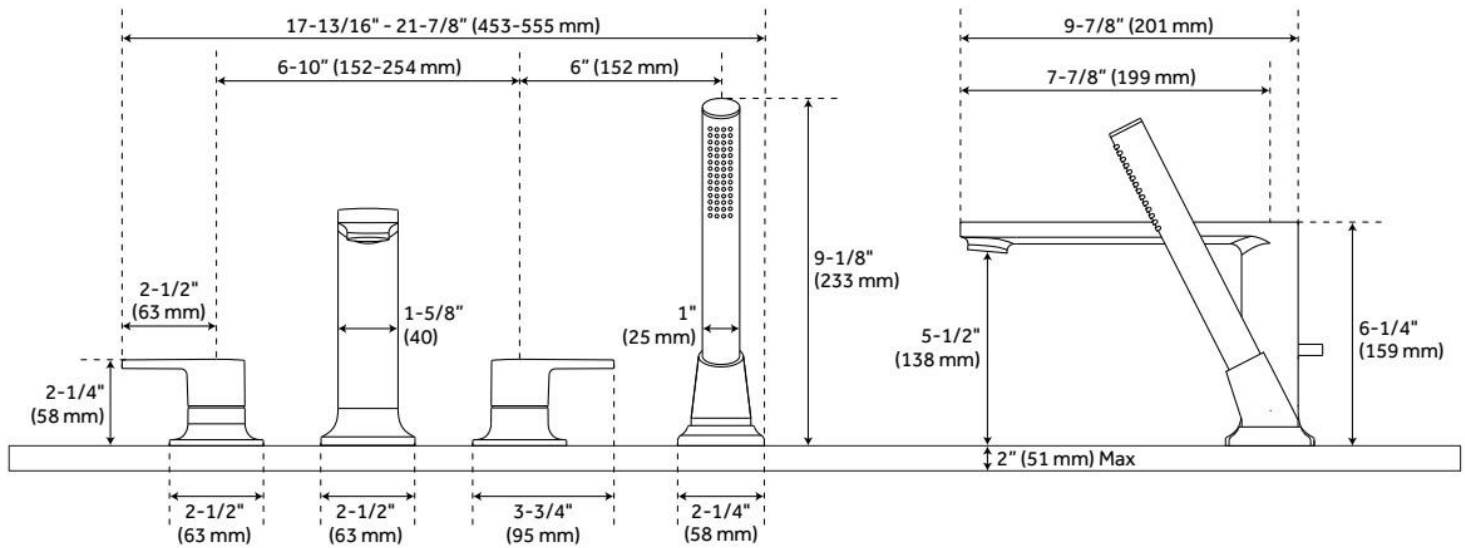
- Lift rod diverter to handshower.
- Handshower includes factory installed backflow prevention check valve.

REVISED 11/5/2024

BERWYN 4-HOLE ROMAN TUB FAUCET AND HAND SHOWER

SKU: 955101

Code: SHBW4RTG, SH674164



REVISED 11/5/2024

4-HOLE ROMAN TUB FAUCET ROUGH-IN VALVE

SKU: 448005
Code: SH674164

FEATURES



ASME A112.18.1/CSA B125.1, Massachusetts Accepted, LISTED ID: SH674164



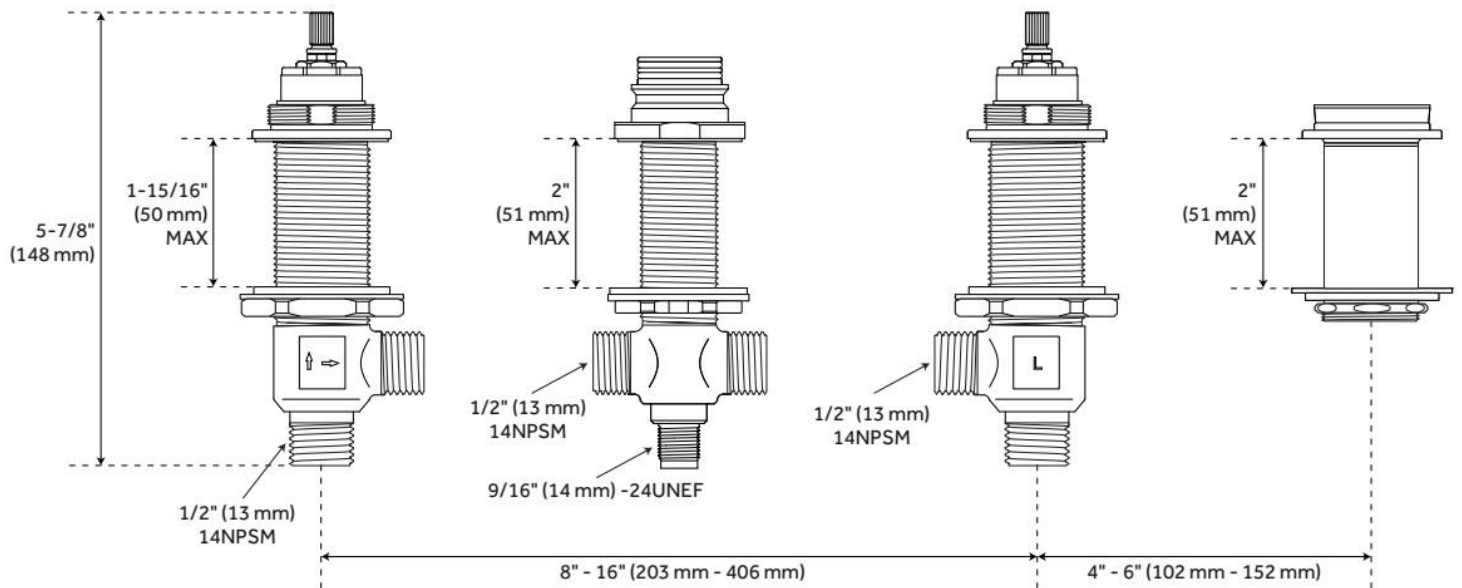
ADDITIONAL FEATURES

- 4-Hole Installation.
- Brass coupling nut.
- Faucet can be installed with variable centers from 8" - 16".

REVISED 11/5/2024

4-HOLE ROMAN TUB FAUCET ROUGH-IN VALVE

SKU: 448005
Code: SH674164



REVISED 11/5/2024