

MILLSPRING LOW-FLOW TWO-PIECE ELONGATED TOILET - WHITE

SKU: 953840

Code: SHMS111001, SHMS111002, SH430, SHBDS201



FEATURES

Material: Vitreous China
Product Finish: White
Toilet Style: 2-Piece
Flush Handle Location: Left
Bowl Height: 16-5/8"
Bowl Shape: Elongated
Rough-in: 12"
Gallons Per Flush: 1.0 GPF (3.8 LPF)
Flush Type: Gravity
Trapway Diameter: 1-7/8"
Seat Included: Yes

ASME A112.19.2/CSA B45.1, ICC/ANSI A117.1, CEC Listed, WaterSense by IAPMO, Massachusetts Accepted, UL 1431, CAN/CSA-C22.2 No. 64, CAN/CSA-C22.2 No. 68, LISTED ID: SHMS111002.XX/SHMS111001.XX, SHBDS201WH



ADDITIONAL FEATURES

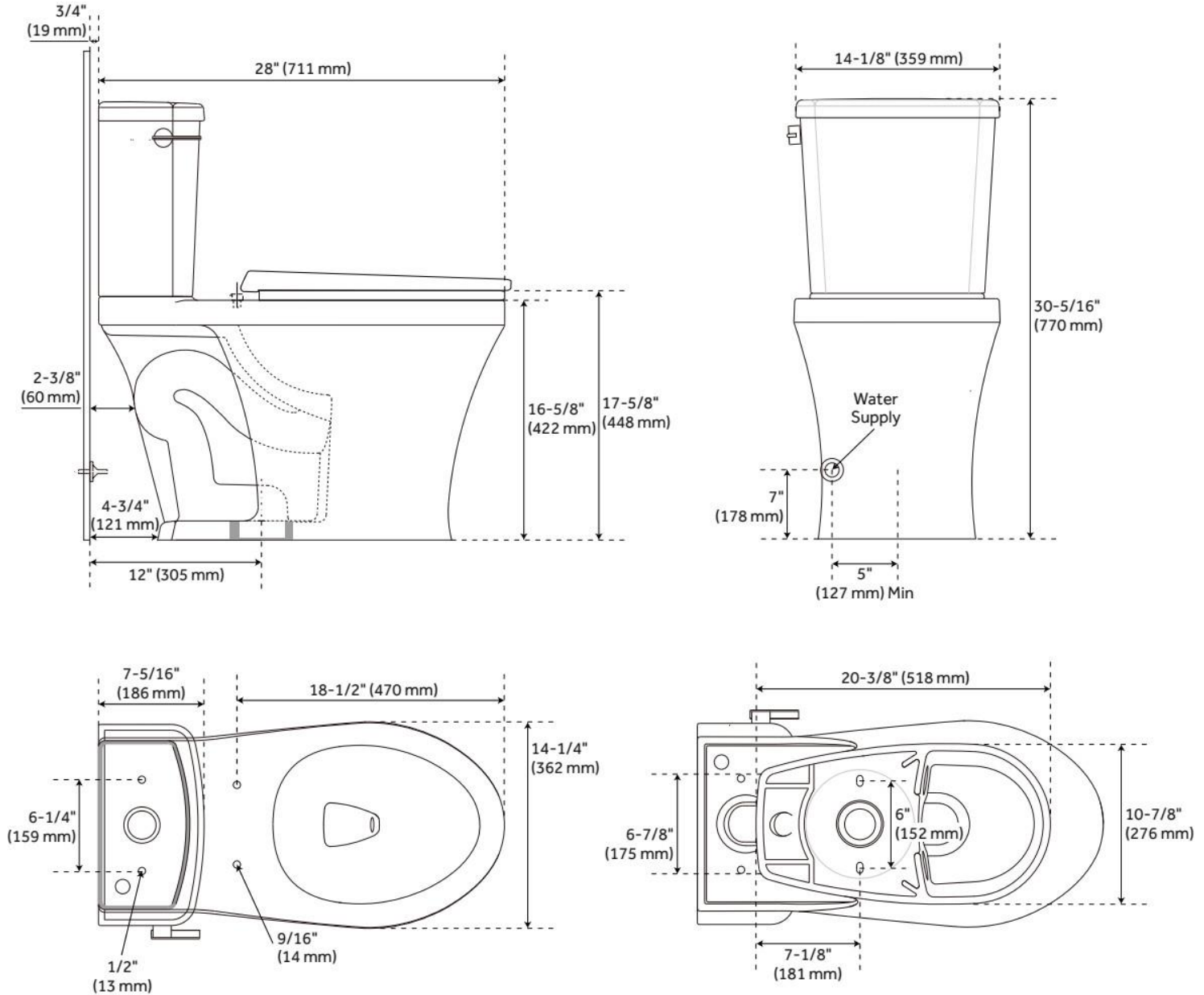
- Partially skirted trapway for a clean aesthetic.
- Standard seat features soft-close mechanism.
- [Compatible with the Aldridge Elongated Bidet Seat.](#)

REVISED 10/10/2024

MILLSPRING LOW-FLOW TWO-PIECE ELONGATED TOILET - WHITE

SKU: 953840

Code: SHMS111001, SHMS111002, SH430, SHBDS201



REVISED 10/10/2024

MILLSPRING LOW FLOW TOILET BOWL

SKU: 498241
Code: SHMS111002



FEATURES

Material: Vitreous China
Product Finish: White
Toilet Style: 2-Piece
Bowl Height: 16-5/8"
Bowl Shape: Elongated
Rough-in: 12"
Gallons Per Flush: 1.0 GPF (3.8 LPF)
Flush Type: Gravity
Trapway Diameter: 1-7/8"
Seat Included: Yes

ASME A112.19.2/CSA B45.1, ICC/ANSI A117.1, CEC Listed, WaterSense by IAPMO, Massachusetts Accepted, LISTED
ID: SHMS111002.XX/SHMS111001.XX



ADDITIONAL FEATURES

REVISED 10/10/2024

MILLSPRING LOW FLOW TOILET TANK

SKU: 498240
Code: SHMS111001



FEATURES

Material: Vitreous China
Product Finish: White
Toilet Style: 2-Piece
Flush Handle Location: Left
Gallons Per Flush: 1.0 GPF (3.8 LPF)

ASME A112.19.2/CSA B45.1, ICC/ANSI A117.1, CEC Listed, WaterSense by IAPMO, Massachusetts Accepted, LISTED
ID: SHMS111002.XX/SHMS111001.XX



ADDITIONAL FEATURES

REVISED 10/10/2024

CLAYDEN TOILET TANK HANDLE

SKU: 953381

Code: SH430



FEATURES

Material: Metal

ADDITIONAL FEATURES

- Trip Lever Length: 8-1/2".

REVISED 10/10/2024

ALDRIDGE ELONGATED ELECTRONIC BIDET TOILET SEAT

SKU: 448556
Code: SHBDS201

FEATURES

Material: Plastic
Product Finish: White
Bowl Shape: Elongated



ASME A112.4.2/CSA B45.16, Massachusetts Accepted, UL 1431, CAN/CSA-C22.2 No. 64, CAN/CSA-C22.2 No. 68,
LISTED ID: SHBDS201WH



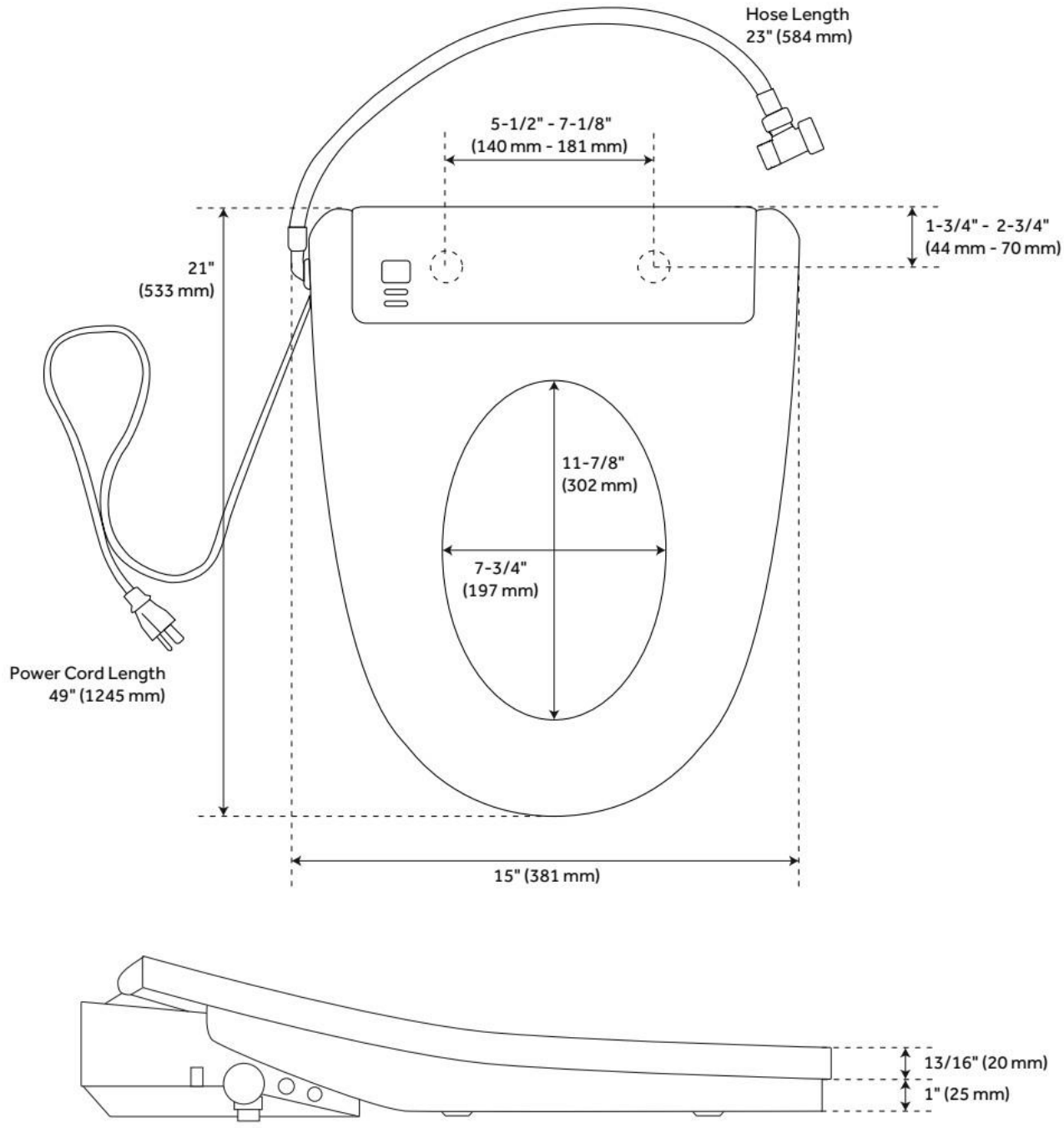
ADDITIONAL FEATURES

- Features warm water, seat warmer, spray massage, warm drying, smart night light, and auto-cleaning modes.
- Includes a remote control for one-handed operation.
- Features Nozzle Clean mode for cleaning.
- The UV light treatment sterilizes the spray nozzle by killing bacteria in three minutes. The red indicator light automatically turns on 10 seconds after use, stays on for three minutes during the cleaning process, and turns off when it is complete.
- Soft-closing seat and lid.
- Installs easily with quick-release system.
- Toilet not included.
- Designed for single- and two-piece toilets.
- Power cord length: 49"

REVISED 10/10/2024

ALDRIDGE ELONGATED ELECTRONIC BIDET TOILET SEAT

SKU: 448556
Code: SHBDS201



REVISED 10/10/2024