

ELITA PRESSURE BALANCE SHOWER SYSTEM WITH HAND SHOWER - LEVER HANDLES

SKU: 955092-L

Code: SHEL441001, SH4001, SHRSA123, SHRSB820RG, SHHS4090G, SHH1010, SHWES2050, SHEL441004, SH6103, SHEL441002, SHEL441005



FEATURES

Material: Metal
Shower Head Swivel: Yes
Hand Shower Flow Rate: 1.8 gpm (6.8 L/min) @ 80 psi
Shower Head Flow Rate: 1.8 gpm (6.8 L/min) @ 80 psi
Cartridge Type: Ceramic Disc

ASME A112.18.1/CSA B125.1, ASME A112.18.2/CSA B125.2, ASSE 1016 Type P, CEC Listed, WaterSense by IAPMO, Massachusetts Accepted, LISTED ID: SH4001, SH6103, SHH1010*, SHHS4090G*, SHRSB820RG*, SHWES2050xy, SHRSA123*, SHEL441001*, SHEL441002*, SHEL441004*, SHEL441005*, SHHS4090G**



ADDITIONAL FEATURES

- Metal construction for ultimate strength and durability.
- Single function 8" Rainfall shower head.
- 3 function hand shower (full spray, massage spray, full & massage spray).
- 60" - 72" stretchable metal shower hose.
- Included Rough-in valves:
 - Pressure balance valve features a one-piece cartridge design for ease of maintenance, back-to-back capability, a ceramic disc cartridge, cast bronze valve body, adjustable temperature limit stop, a quick remove plaster guard, easy mounting brackets and integral stops.
 - Diverter Valve features brass valve body and ceramic disc cartridge.
 - Six total settings allow for shared water flow between outlets, giving you the ability to use two functions at once.
 - Not intended as a shut off valve.

REVISED 7/19/2024

8" MODERN ROUND RAINFALL SHOWER HEAD - 1.8 GPM - CHROME

SKU: 948948-18

Code: SHRSB820RG, SH484203, SH485499, SHRSB820RGPB



FEATURES

Material: ABS

Shower Head Swivel: Yes

ASME A112.18.1/CSA B125.1, CEC Listed, WaterSense by IAPMO, Massachusetts Accepted, LISTED ID: SHRSB820RG*

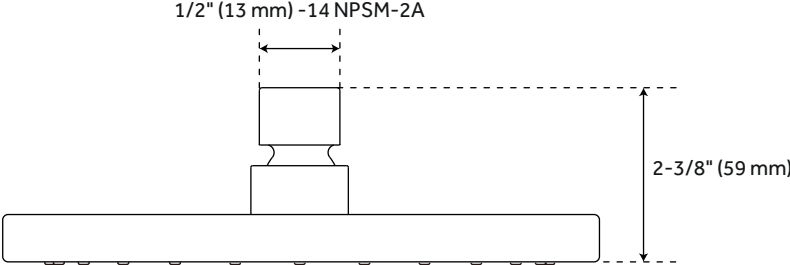
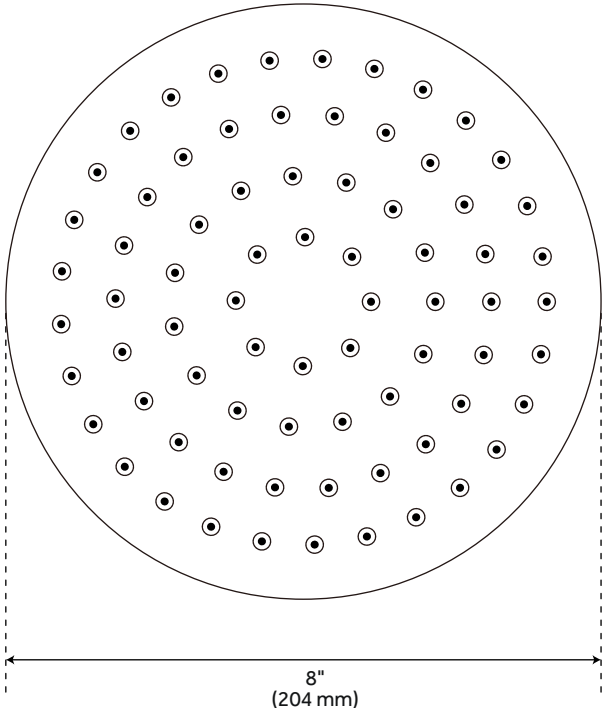


ADDITIONAL FEATURES

- Single function shower head (full spray).
- Easy clean rubber nozzles.
- Brass ball joint.

REVISED 5/24/2024

MODERN ROUND RAINFALL SHOWER HEAD - 1.8 GPM



All dimensions and specifications are nominal and may vary. Use actual products for accuracy in critical situations.

WALL-MOUNT RAINFALL SHOWER ARM

SKU: 948955

Code: SHRSA123, SHRSA181, SH485514, SHRSA150

FEATURES

Material: Stainless Steel

Connection Type: 1/2" NPT



ASME A112.18.1/CSA B125.1, Massachusetts Accepted, LISTED ID: SHRSA123*, SHRSA181*, SHRSA150*



ADDITIONAL FEATURES

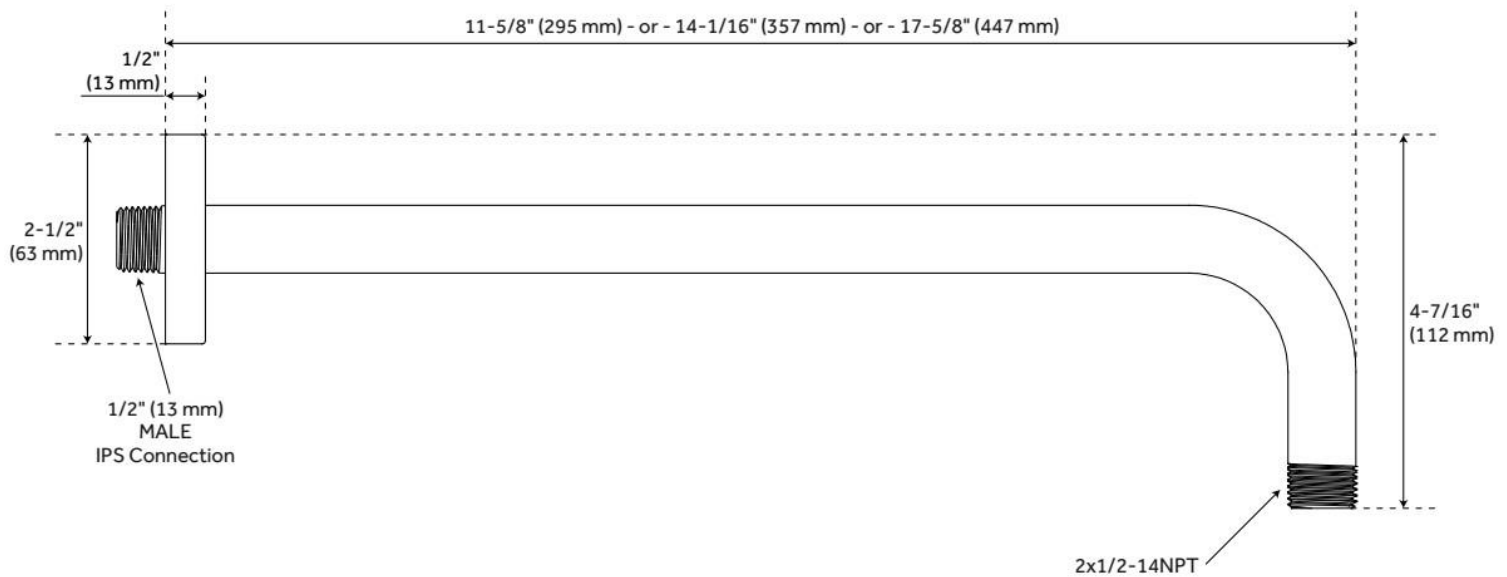
- All dimensions are ($\pm 1/2$ ").
- Escutcheon included.

REVISED 6/10/2024

WALL-MOUNT RAINFALL SHOWER ARM

SKU: 948955

Code: SHRSA123, SHRSA181, SH485514, SHRSA150



REVISED 6/10/2024

ELITA PRESSURE BALANCE SHOWER VALVE TRIM - LEVER HANDLE

SKU: 955084-L

Code: SHEL441001, SHEL441002, SH4001



FEATURES

Material: Metal

Required for Installation: Requires rough-in valve (SH4001)

Optional Accessory: Extension kit available (ACF4001EXT)

ASME A112.18.1/CSA B125.1, ASSE 1016 Type P, Massachusetts Accepted, LISTED ID: SHEL441001*, SHEL441002*, SH4001



ADDITIONAL FEATURES

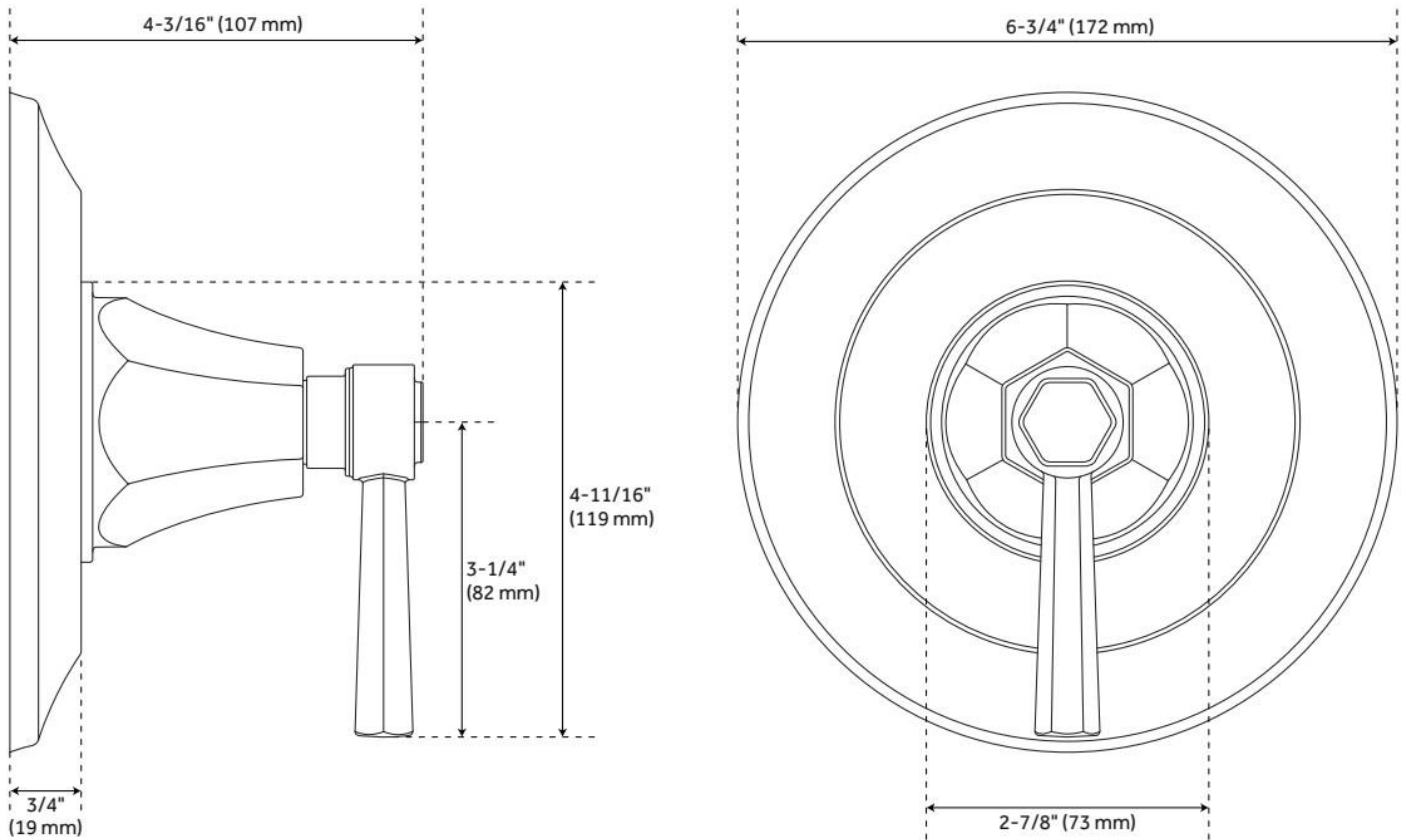
- Metal construction for ultimate strength and durability.
- When purchased with optional but required for install Rough-in Valve:
 - Pressure balance valve with integral stops.
 - One-piece cartridge design for ease of maintenance.
 - Back-to-back capability.
 - Ceramic disc valve cartridge.
 - Cast bronze valve body.
 - Adjustable temperature limit stop.
 - Quick remove plaster guard.
 - Easy mounting brackets.

REVISED 7/1/2024

ELITA PRESSURE BALANCE SHOWER VALVE TRIM - LEVER HANDLE

SKU: 955084-L

Code: SHEL441001, SHEL441002, SH4001



REVISED 7/1/2024

PRESSURE BALANCE TUB & SHOWER ROUGH-IN VALVE

SKU: 446520
Code: SH4001



FEATURES

Material: Bronze
Flow Rate: 6.34 gpm (24.0 L/min) @ 80 psi
Connection Type: 1/2" MIP and SWT
Cartridge Type: Ceramic Disc

IAPMO, ASME A112.18.1/CSA B125.1, ASSE 1016 Type P, Massachusetts Accepted, LISTED ID: SH4001



ADDITIONAL FEATURES

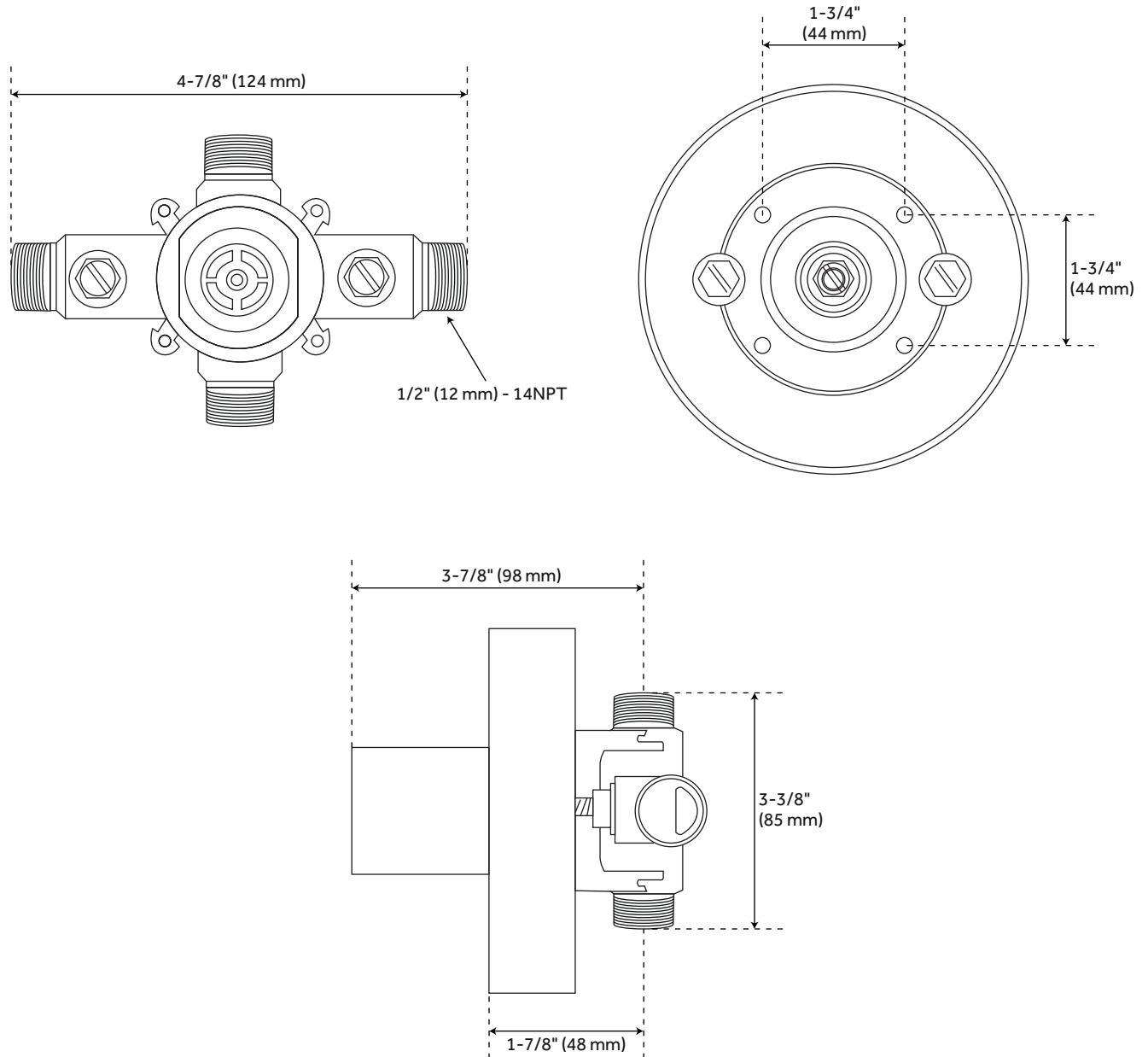
- Pressure balance valve with integral stops.
- One-piece cartridge design for ease of maintenance.
- Back-to-back capability.
- Ceramic disc valve cartridge.
- Cast bronze valve body.
- Adjustable temperature limit stop.
- Quick remove plaster guard.
- Easy mounting brackets.
- Important Note: Pressure Balancing Valves, regardless of brand, are generally not recommended for use with tankless (on-demand) water heaters. Pressure Balancing Valves adjust to the lowest incoming water pressure. Because outgoing hot-water pressure of tankless water heaters can sometimes be significantly lower than household cold-water pressure, the result can be unsatisfactory water pressure in the shower.

REVISED 5/24/2024

PRESSURE BALANCE TUB AND SHOWER ROUGH-IN VALVE

SKU: 446520

SH4001



All dimensions and specifications are nominal and may vary. Use actual products for accuracy in critical situations.

ELITA IN-WALL SHOWER DIVERTER TRIM - LEVER HANDLE

SKU: 955085-L

Code: SHEL441004, SHEL441005, SH6103



FEATURES

Material: Metal

Required for Installation: Requires rough-in valve (SH6103 or SH6101)

Optional Accessory: Extension kit available (SH6101EXT).

CALGreen non-shared position cartridge available (SH6150).

ASME A112.18.1/CSA B125.1, ASME A112.18.2/CSA B125.2, Massachusetts Accepted, LISTED ID: SHEL441004*, SHEL441005*, SH6103



ADDITIONAL FEATURES

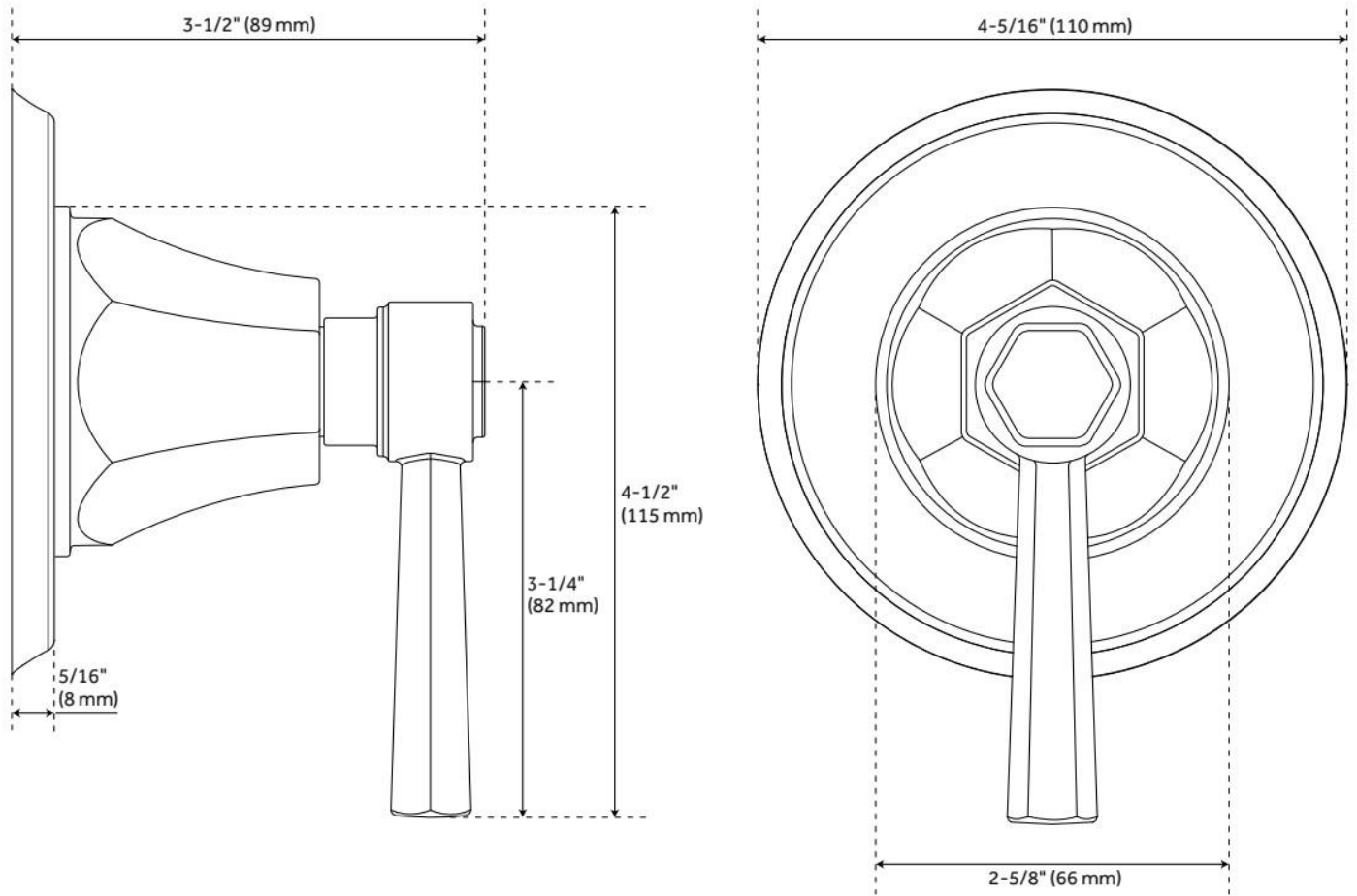
- Metal construction for ultimate strength and durability.
- May purchase with or without valve. Value required for use.
- When purchased with Rough-in Valve:
 - Brass valve body.
 - Ceramic disc cartridge.
 - Not intended as a shut off valve.

REVISED 7/1/2024

ELITA IN-WALL SHOWER DIVERTER TRIM - LEVER HANDLE

SKU: 955085-L

Code: SHEL441004, SHEL441005, SH6103



REVISED 7/1/2024

3-WAY IN-WALL DIVERTER ROUGH-IN VALVE

SKU: 953056
Code: SH6103, SH6101

FEATURES

Material: Brass



ASME A112.18.1/CSA B125.1, ASME A112.18.2/CSA B125.2, Massachusetts Accepted, LISTED ID: SH6103, SH6101



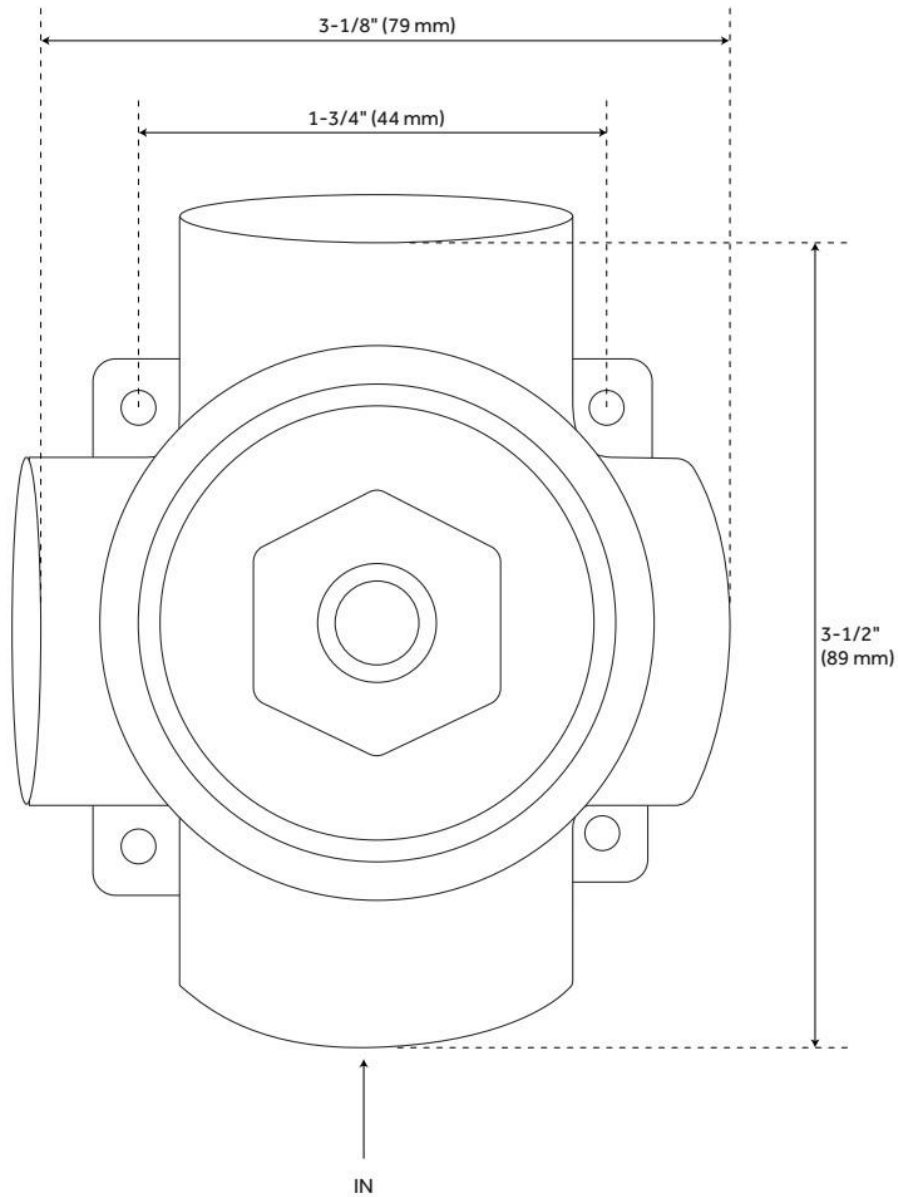
ADDITIONAL FEATURES

- Six total settings allow for shared water flow between outlets, giving you the ability to use two functions at once.
- Ceramic cartridge.
- Available Single-Function Diverter Valve Cartridge restricts water flow to one outlet at a time.
- Not intended as a shut off valve.
- For installations only requiring 2 outlets, the 3rd outlet may be looped into one of the existing pipes.

REVISED 5/29/2024

3-WAY IN-WALL DIVERTER ROUGH-IN VALVE

SKU: 953056
Code: SH6103, SH6101



REVISED 5/29/2024

PINECREST HAND SHOWER

SKU: 948929
Code: SHHS4090G

FEATURES

Material: ABS
Hand Shower Spray: Full
Hand Shower Flow Rate: 1.8 gpm (6.8 L/min) @ 80 psi



ASME A112.18.1/CSA B125.1, CEC Listed, WaterSense by IAPMO, Massachusetts Accepted, LISTED ID: SHHS4090G*, SHHS4090G**



ADDITIONAL FEATURES

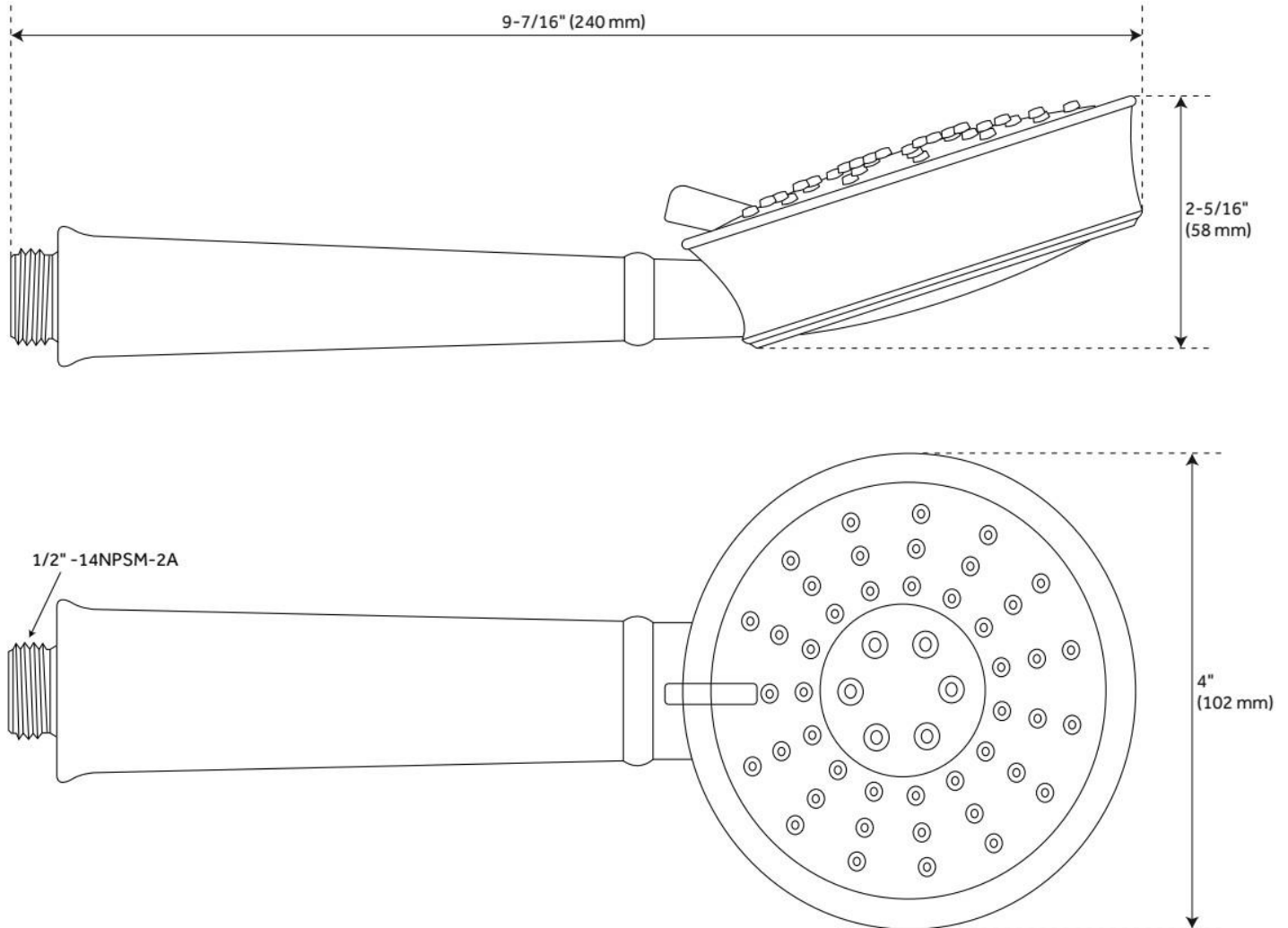
- 3 function hand shower (full spray, massage spray, full & massage spray).
- Easy-clean spray nozzles.
- Factory installed backflow prevention check valve.
- Hose sold separately.

REVISED 5/24/2024

PINECREST HAND SHOWER

SKU: 948929

Code: SHHS4090G



REVISED 5/24/2024

SWIVEL WATER SUPPLY ELBOW AND BRACKET FOR HAND SHOWER

SKU: 948936

Code: SHWES2050, SH485446, SH485535

FEATURES

Material: Metal, ABS

Connection Type: 1/2" NPT



ASME A112.18.1/CSA B125.1, LISTED ID: SHWES2050xy



ADDITIONAL FEATURES

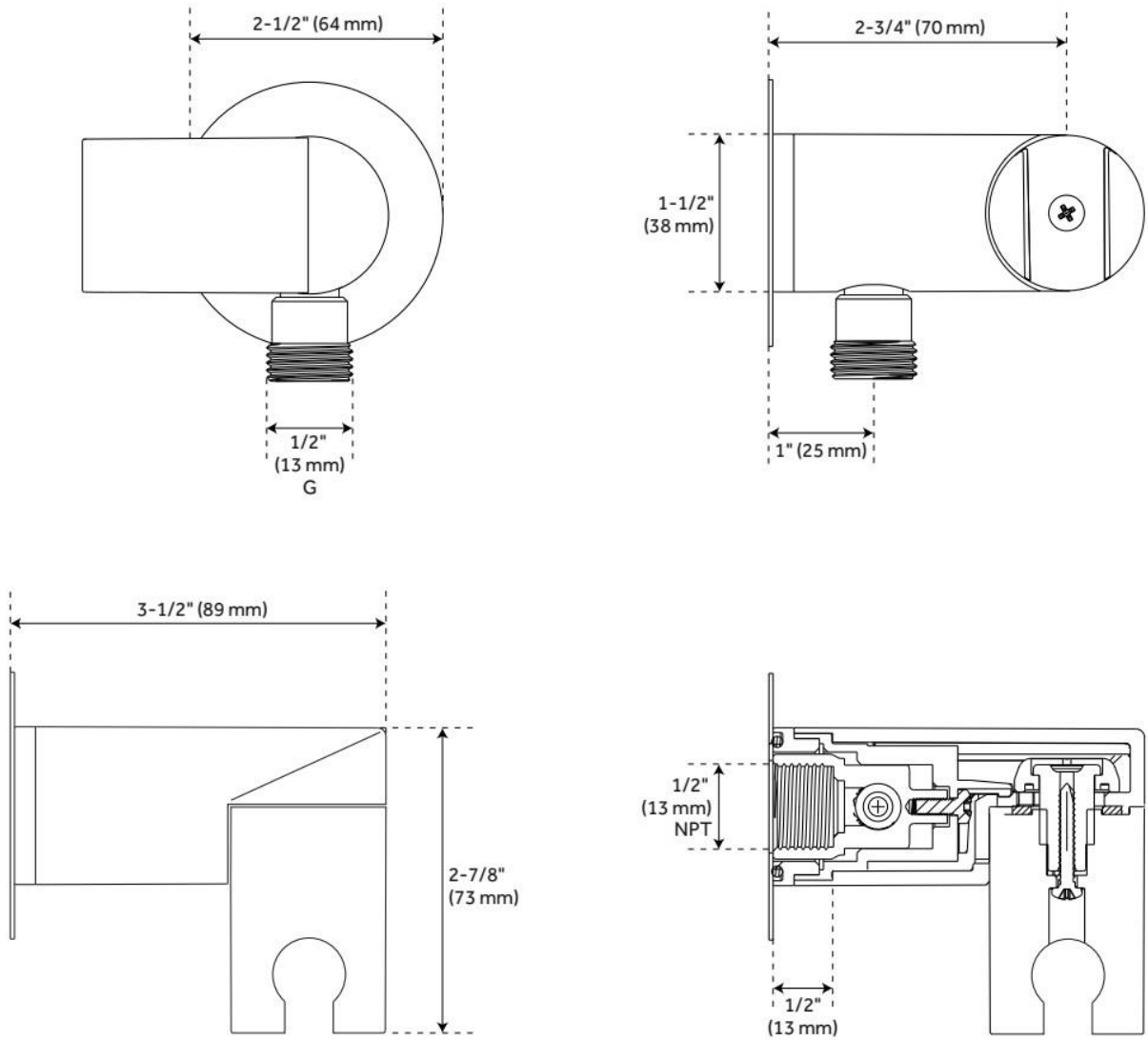
- 1/2" Female wall connection.
- 1/2" Male hose connection.
- Brass inlet/outlet, ABS body.

REVISED 5/24/2024

SWIVEL WATER SUPPLY ELBOW AND BRACKET FOR HAND SHOWER

SKU: 948936

Code: SHWES2050, SH485446, SH485535



REVISED 5/24/2024

60" STRETCHABLE METAL HAND SHOWER HOSE

SKU: 948938

Code: SHH1010, SH484205, SH485500, SHH1010PB

FEATURES

Connection Type: 1/2" IPS



ASME A112.18.1/CSA B125.1, Massachusetts Accepted, LISTED ID: SHH1010*



ADDITIONAL FEATURES

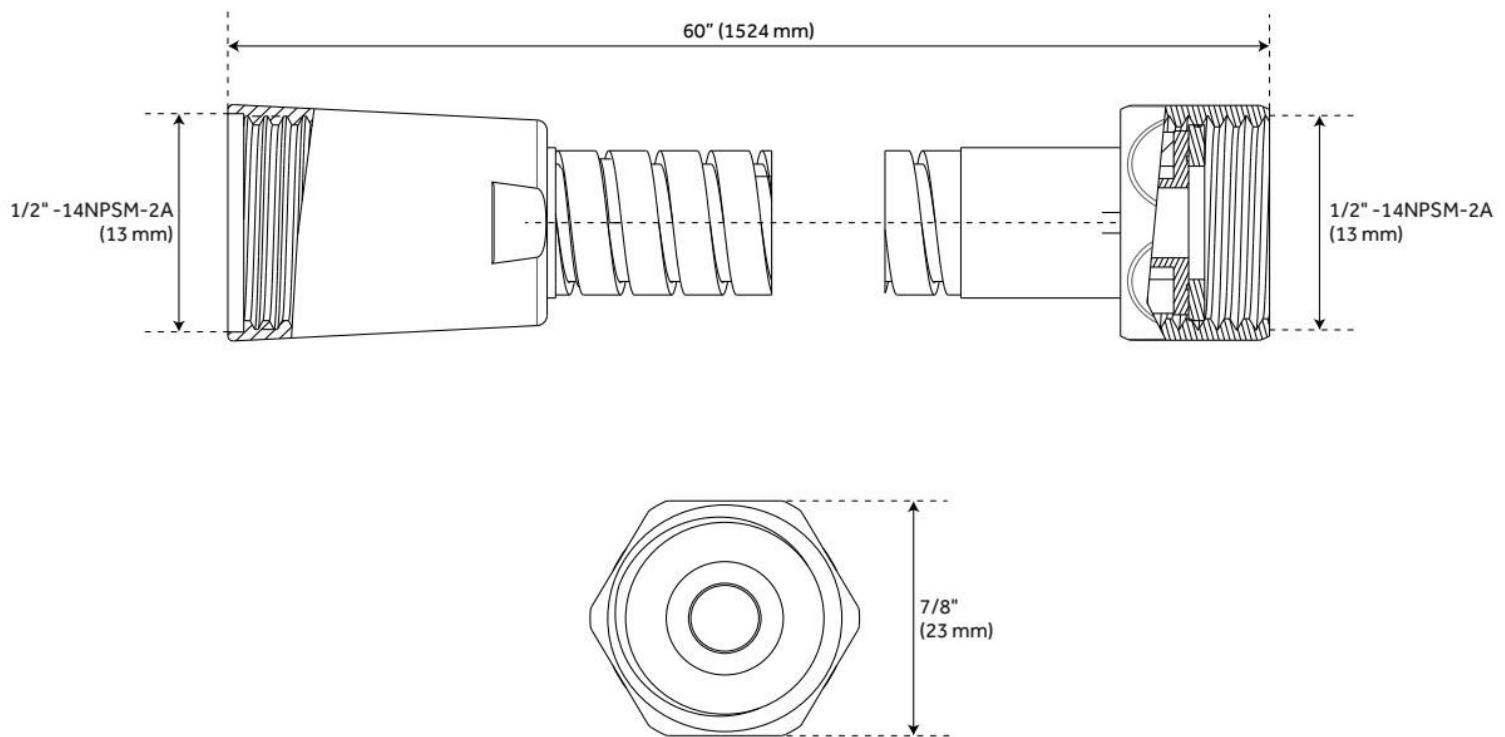
- 60" - 72" stretchable metal shower hose.
- Double spiral construction.
- Metal conical nut.

REVISED 5/24/2024

60" STRETCHABLE METAL HAND SHOWER HOSE

SKU: 948938

Code: SHH1010, SH484205, SH485500, SHH1010PB



REVISED 5/24/2024