

ELITA PRESSURE BALANCE TUB AND SHOWER SYSTEM - LEVER HANDLE

SKU: 955091-L

Code: SHEL441001, SH4001, SHRSA123, SHRSB820RG, SHEL441011, SHEL441002



FEATURES

Material: Metal
Shower Head Flow Rate: 1.8 gpm (6.8 L/min) @ 80 psi
Shower Head Swivel: Yes
Cartridge Type: Ceramic Disc

ASME A112.18.1/CSA B125.1, ASSE 1016 Type P, NSF/ANSI/CAN 61-9:Q₁, CEC Listed, WaterSense by IAPMO, Massachusetts Accepted, LISTED ID: SH4001, SHRSB820RG*, SHRSA123*, SHEL441001*, SHEL441002*, SHEL441011*



ADDITIONAL FEATURES

- Metal construction for ultimate strength and durability.
- Single function shower head.
- Tub spout diverter.
- Slip-fit tub spout.
- Included Rough-in valve:
 - Pressure balance valve with integral stops.
 - One-piece cartridge design for ease of maintenance.
 - Back-to-back capability.
 - Ceramic disc valve cartridge.
 - Cast bronze valve body.
 - Adjustable temperature limit stop.
 - Quick remove plaster guard.
 - Easy mounting brackets.

REVISED 7/18/2024

ELITA PRESSURE BALANCE SHOWER VALVE TRIM - LEVER HANDLE

SKU: 955084-L

Code: SHEL441001, SHEL441002, SH4001



FEATURES

Material: Metal

Required for Installation: Requires rough-in valve (SH4001)

Optional Accessory: Extension kit available (ACF4001EXT)

ASME A112.18.1/CSA B125.1, ASSE 1016 Type P, Massachusetts Accepted, LISTED ID: SHEL441001*, SHEL441002*, SH4001



ADDITIONAL FEATURES

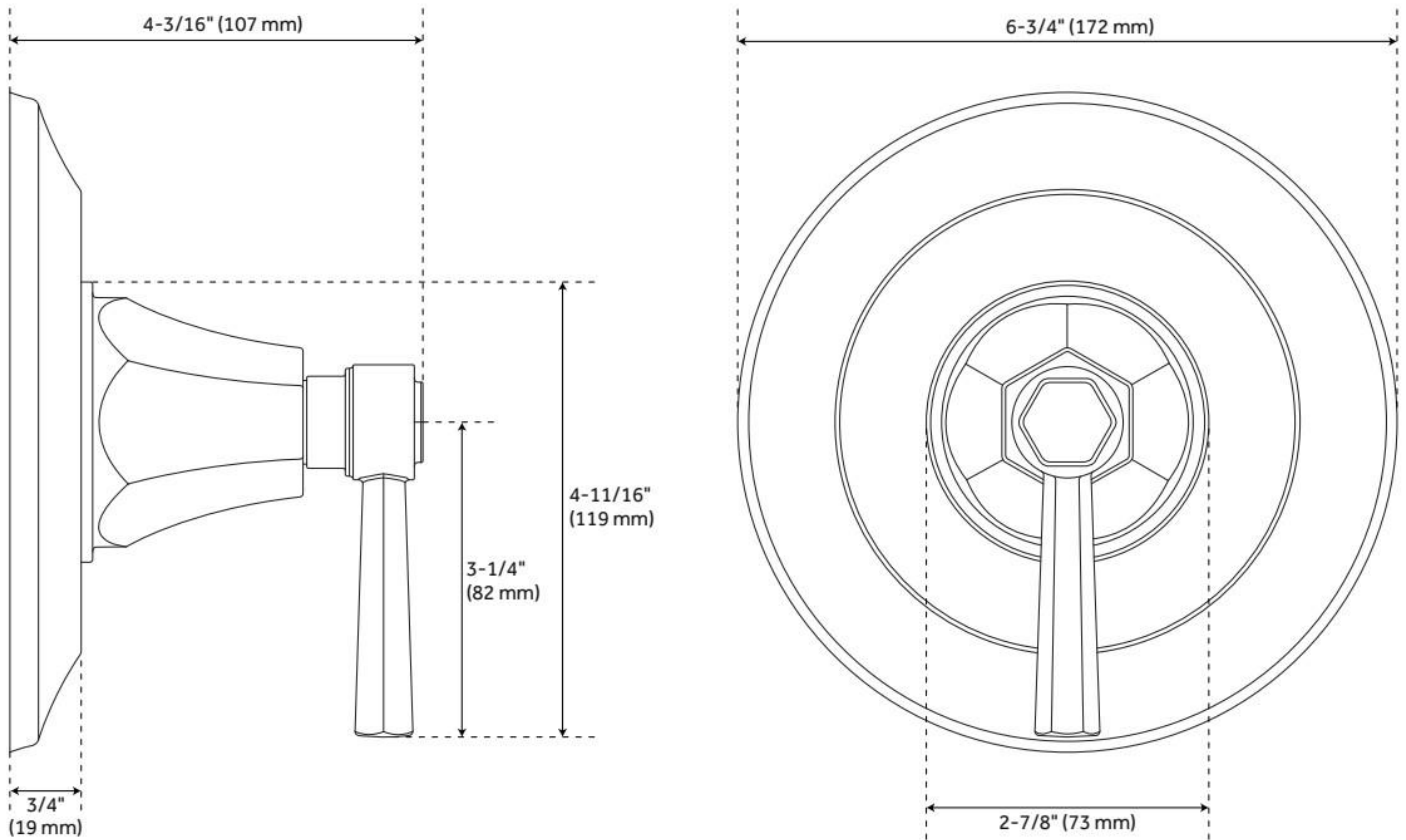
- Metal construction for ultimate strength and durability.
- When purchased with optional but required for install Rough-in Valve:
 - Pressure balance valve with integral stops.
 - One-piece cartridge design for ease of maintenance.
 - Back-to-back capability.
 - Ceramic disc valve cartridge.
 - Cast bronze valve body.
 - Adjustable temperature limit stop.
 - Quick remove plaster guard.
 - Easy mounting brackets.

REVISED 7/1/2024

ELITA PRESSURE BALANCE SHOWER VALVE TRIM - LEVER HANDLE

SKU: 955084-L

Code: SHEL441001, SHEL441002, SH4001



REVISED 7/1/2024

PRESSURE BALANCE TUB & SHOWER ROUGH-IN VALVE

SKU: 446520
Code: SH4001



FEATURES

Material: Bronze
Flow Rate: 6.34 gpm (24.0 L/min) @ 80 psi
Connection Type: 1/2" MIP and SWT
Cartridge Type: Ceramic Disc

IAPMO, ASME A112.18.1/CSA B125.1, ASSE 1016 Type P, Massachusetts Accepted, LISTED ID: SH4001



ADDITIONAL FEATURES

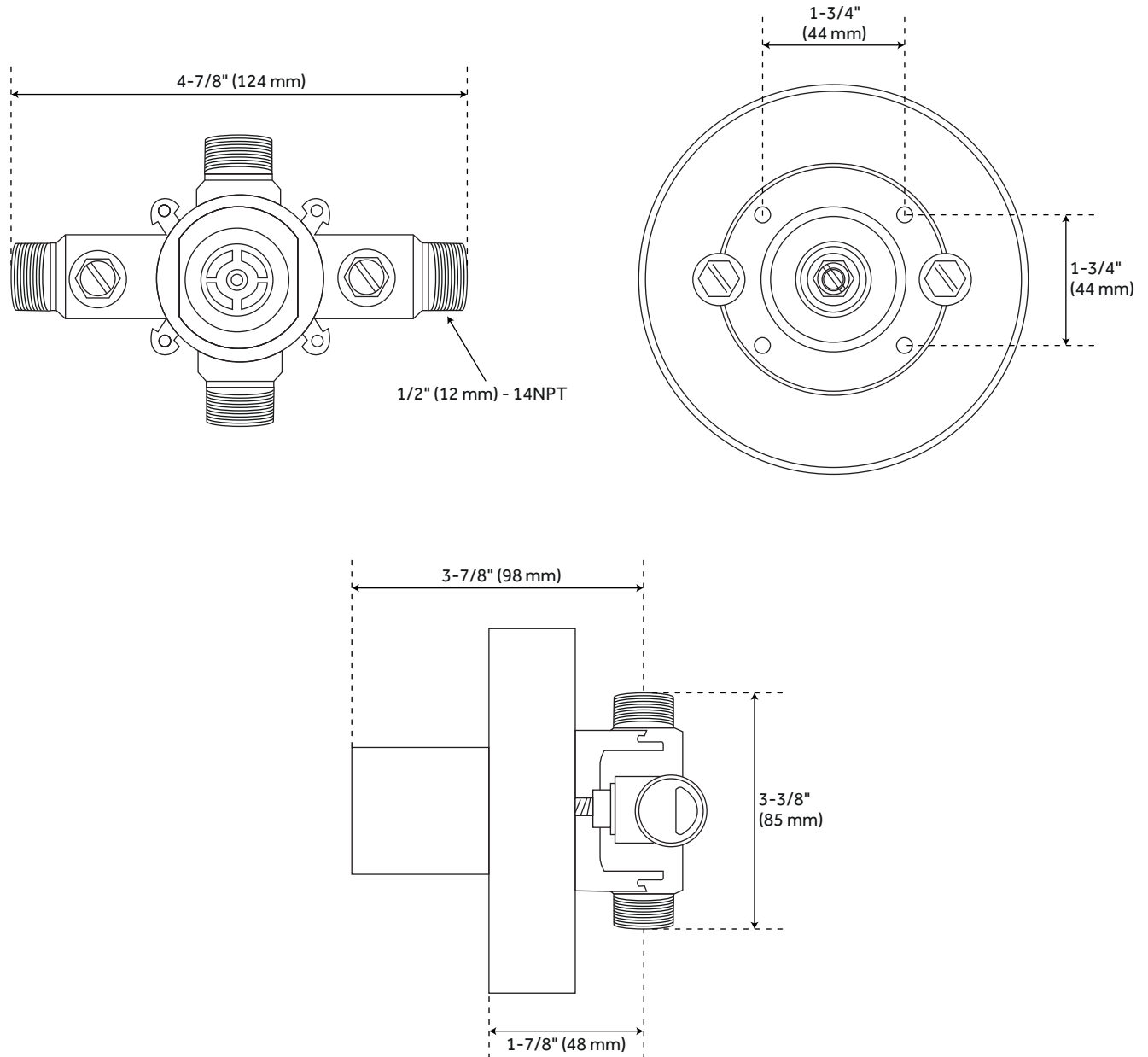
- Pressure balance valve with integral stops.
- One-piece cartridge design for ease of maintenance.
- Back-to-back capability.
- Ceramic disc valve cartridge.
- Cast bronze valve body.
- Adjustable temperature limit stop.
- Quick remove plaster guard.
- Easy mounting brackets.
- Important Note: Pressure Balancing Valves, regardless of brand, are generally not recommended for use with tankless (on-demand) water heaters. Pressure Balancing Valves adjust to the lowest incoming water pressure. Because outgoing hot-water pressure of tankless water heaters can sometimes be significantly lower than household cold-water pressure, the result can be unsatisfactory water pressure in the shower.

REVISED 5/24/2024

PRESSURE BALANCE TUB AND SHOWER ROUGH-IN VALVE

SKU: 446520

SH4001



All dimensions and specifications are nominal and may vary. Use actual products for accuracy in critical situations.

8" MODERN ROUND RAINFALL SHOWER HEAD - 1.8 GPM - CHROME

SKU: 948948-18

Code: SHRSB820RG, SH484203, SH485499, SHRSB820RGPB



FEATURES

Material: ABS

Shower Head Swivel: Yes

ASME A112.18.1/CSA B125.1, CEC Listed, WaterSense by IAPMO, Massachusetts Accepted, LISTED ID: SHRSB820RG*

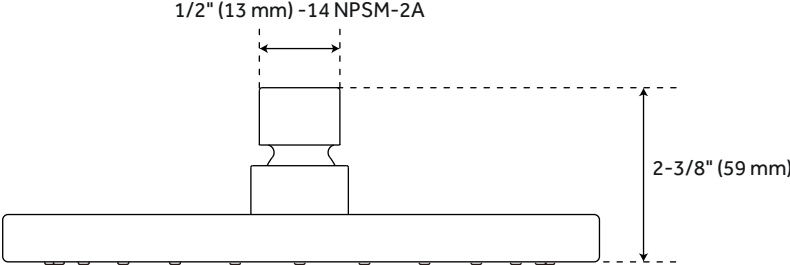
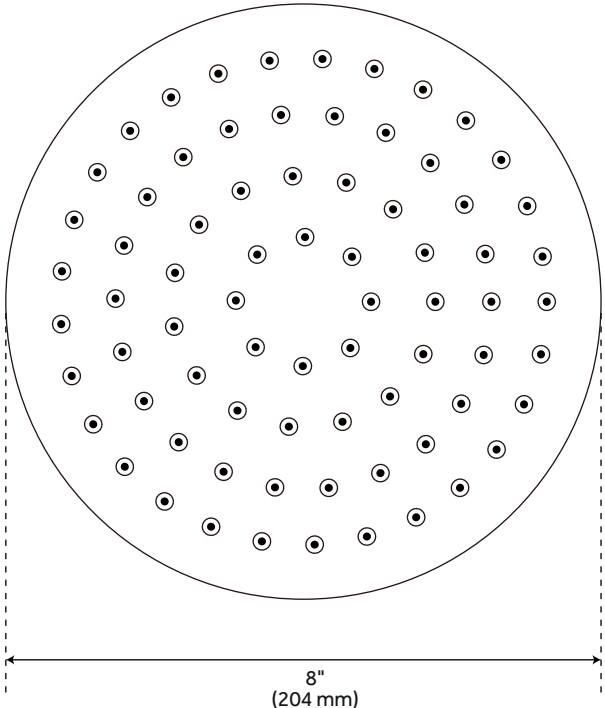


ADDITIONAL FEATURES

- Single function shower head (full spray).
- Easy clean rubber nozzles.
- Brass ball joint.

REVISED 5/24/2024

MODERN ROUND RAINFALL SHOWER HEAD - 1.8 GPM



All dimensions and specifications are nominal and may vary. Use actual products for accuracy in critical situations.

WALL-MOUNT RAINFALL SHOWER ARM

SKU: 948955

Code: SHRSA123, SHRSA181, SH485514, SHRSA150

FEATURES

Material: Stainless Steel

Connection Type: 1/2" NPT



ASME A112.18.1/CSA B125.1, Massachusetts Accepted, LISTED ID: SHRSA123*, SHRSA181*, SHRSA150*



ADDITIONAL FEATURES

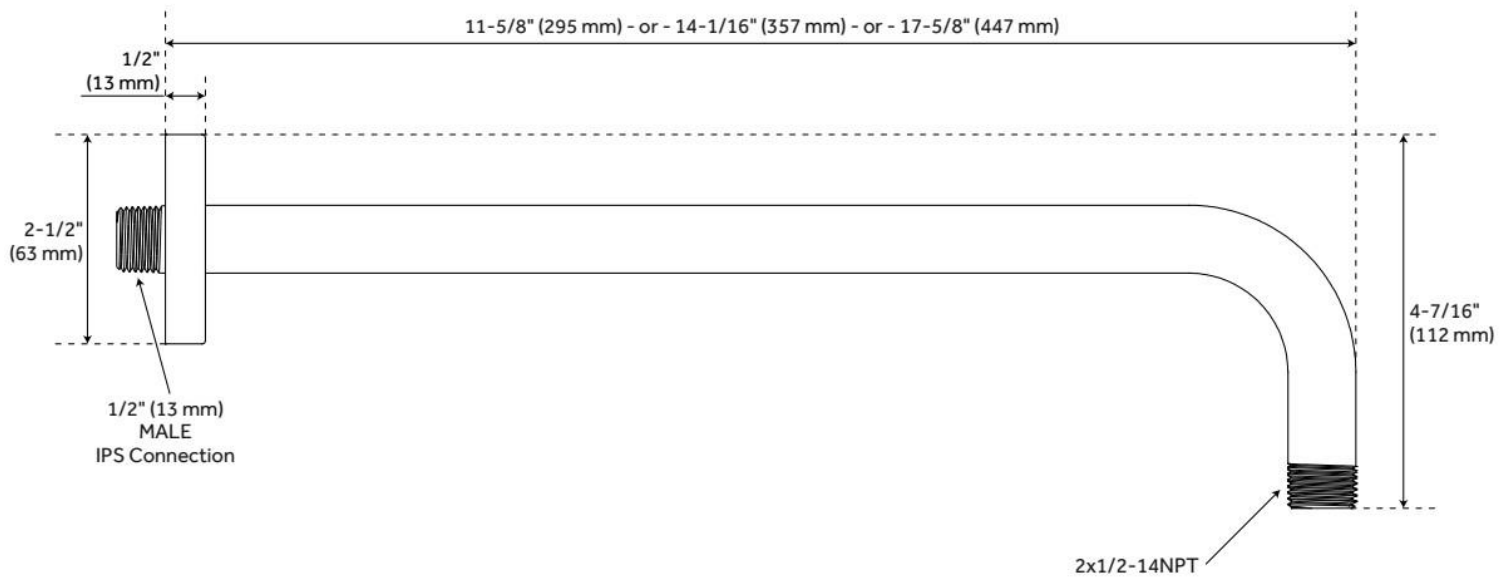
- All dimensions are ($\pm 1/2"$).
- Escutcheon included.

REVISED 6/10/2024

WALL-MOUNT RAINFALL SHOWER ARM

SKU: 948955

Code: SHRSA123, SHRSA181, SH485514, SHRSA150



REVISED 6/10/2024

ELITA TUB SPOUT WITH DIVERTER

SKU: 955089

Code: SHEL441011



FEATURES

Material: Metal

ASME A112.18.1/CSA B125.1, NSF/ANSI/CAN 61-9:Q \leq 1, CEC Listed, Massachusetts Accepted, LISTED ID: SHEL441011*



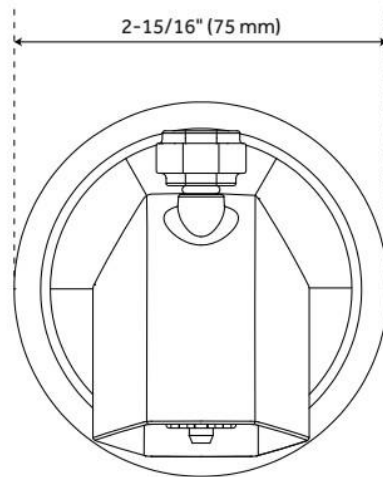
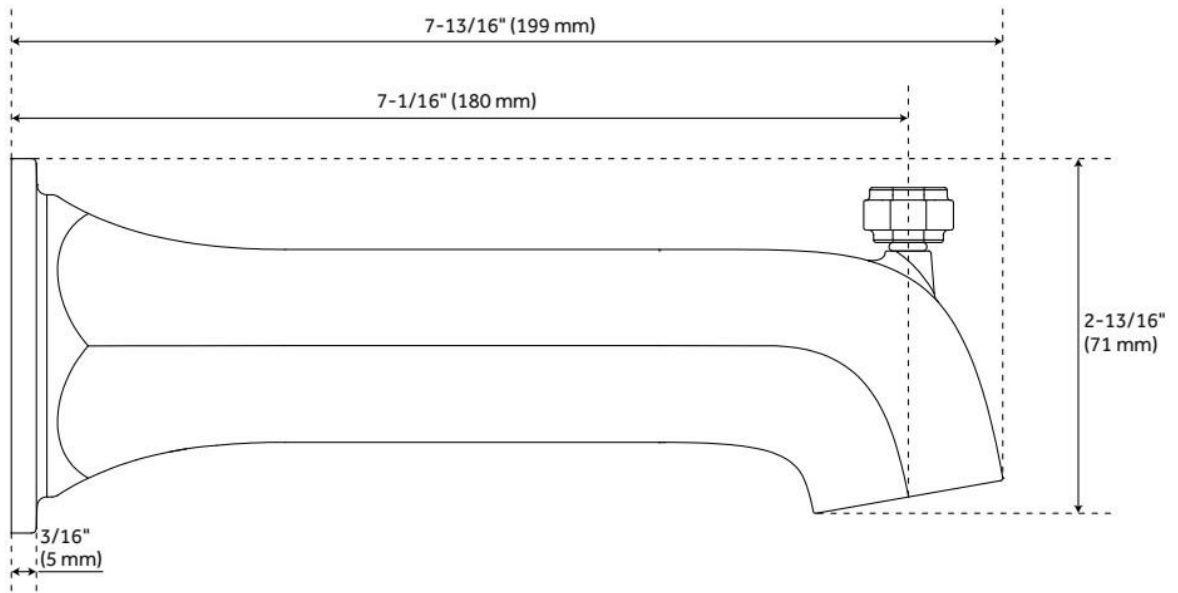
ADDITIONAL FEATURES

- Metal construction for ultimate strength and durability.
- 1/2" slip fit connection.

REVISED 7/1/2024

ELITA TUB SPOUT WITH DIVERTER

SKU: 955089
Code: SHEL441011



REVISED 7/1/2024