

# ELITA FREESTANDING TUB FAUCET WITH HAND SHOWER - CROSS HANDLE

SKU: 955083-C

Code: SHEL441007, SHEL441009, SHFSR2000, SHFSR2000WS



## FEATURES

Material: Metal construction for strength and durability

Faucet Centers: Single-Hole

Installation Type: Floor Mount

Hand Shower Flow Rate: 1.75 gpm (6.6 L/min) @ 80 psi

Spray Type: Full, Massage, Massage + Full

Swivel Spout: No

Required for Installation: Requires rough-in valve: SHFSR2000 or SHFSR2000WS, Handle: SHEL441008 or SHEL441009

ASME A112.18.1/CSA B125.1, NSF/ANSI/CAN 61-9:Q<sub>1</sub>, CEC Listed, WaterSense by IAPMO, Massachusetts Accepted, LISTED ID: SHEL441007\*, SHEL441009\*, SHFSR2000, SHFSR2000WS



## ADDITIONAL FEATURES

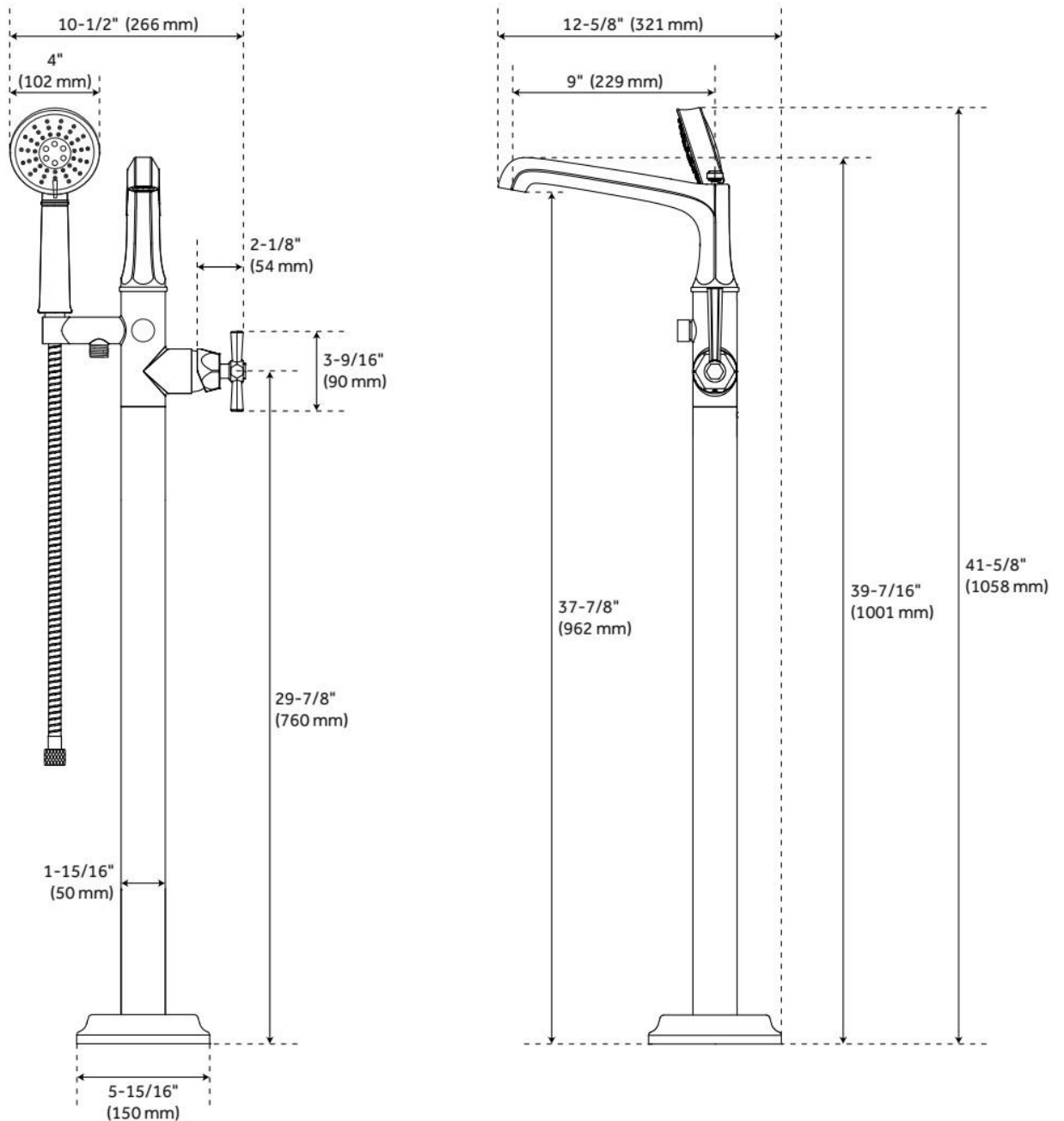
- 3 function hand shower (full spray, massage spray, full & massage spray).
- Integral diverter to hand shower.
- Hand shower includes factory installed backflow prevention check valve.
- Installation on an existing concrete slab will require cutting and concrete removal.
- When paired with SHFSR2000WS, flow rate is 11.4 gpm (43.2 L/min) @ 80 psi.
- When paired with SHFSR2000, flow rate is 11.6 gpm (43.9 L/min) @ 80 psi.

REVISED 8/26/2024

# ELITA FREESTANDING TUB FAUCET WITH HAND SHOWER - CROSS HANDLE

SKU: 955083-C

Code: SHEL441007, SHEL441009, SHFSR2000, SHFSR2000WS



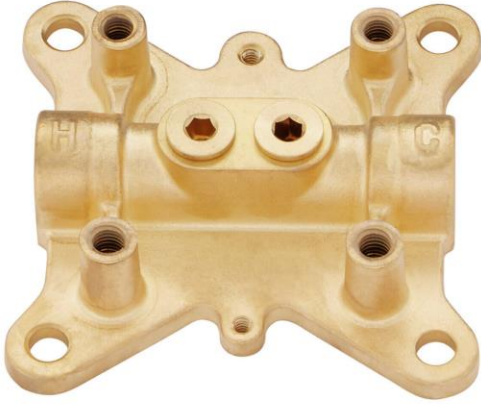
REVISED 7/17/2024

# FREESTANDING TUB FAUCET ROUGH-IN VALVE

SKU: 446521  
Code: SHFSR2000

## FEATURES

Material: Metal construction for strength and durability



ASME A112.18.1/CSA B125.1, Massachusetts Accepted, LISTED ID: SHFSR2000



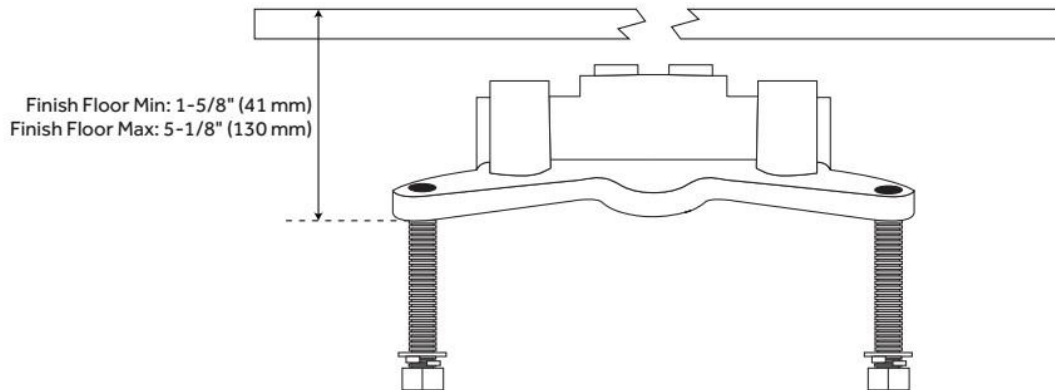
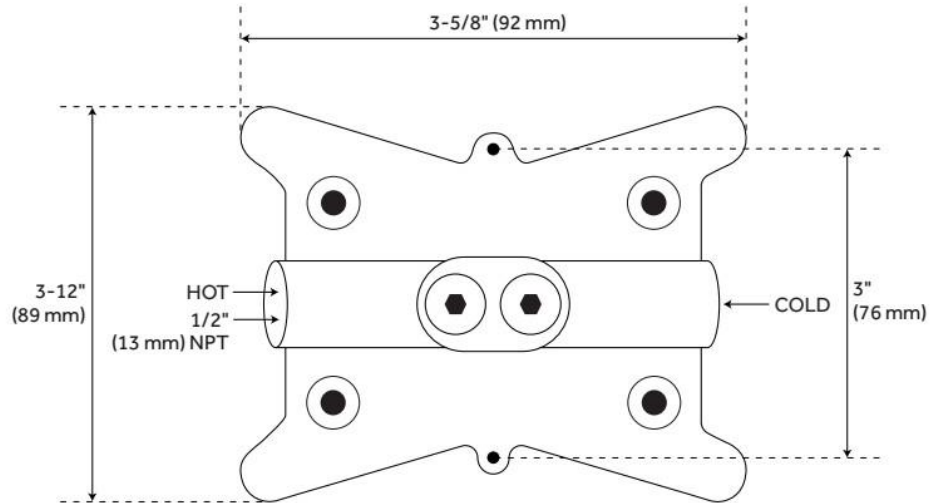
## ADDITIONAL FEATURES

- Not compatible with Ryle, Napier, Keswick, Copper and Cybelle Freestanding Tub Faucets.

REVISED 6/6/2024

# FREESTANDING TUB FAUCET ROUGH-IN VALVE

SKU: 446521  
Code: SHFSR2000



REVISED 6/6/2024

# FREESTANDING TUB FAUCET ROUGH-IN VALVE WITH STOPS

SKU: 448006  
Code: SHFSR2000WS

## FEATURES

Material: Metal construction for strength and durability



ASME A112.18.1/CSA B125.1, Massachusetts Accepted, LISTED ID: SHFSR2000WS



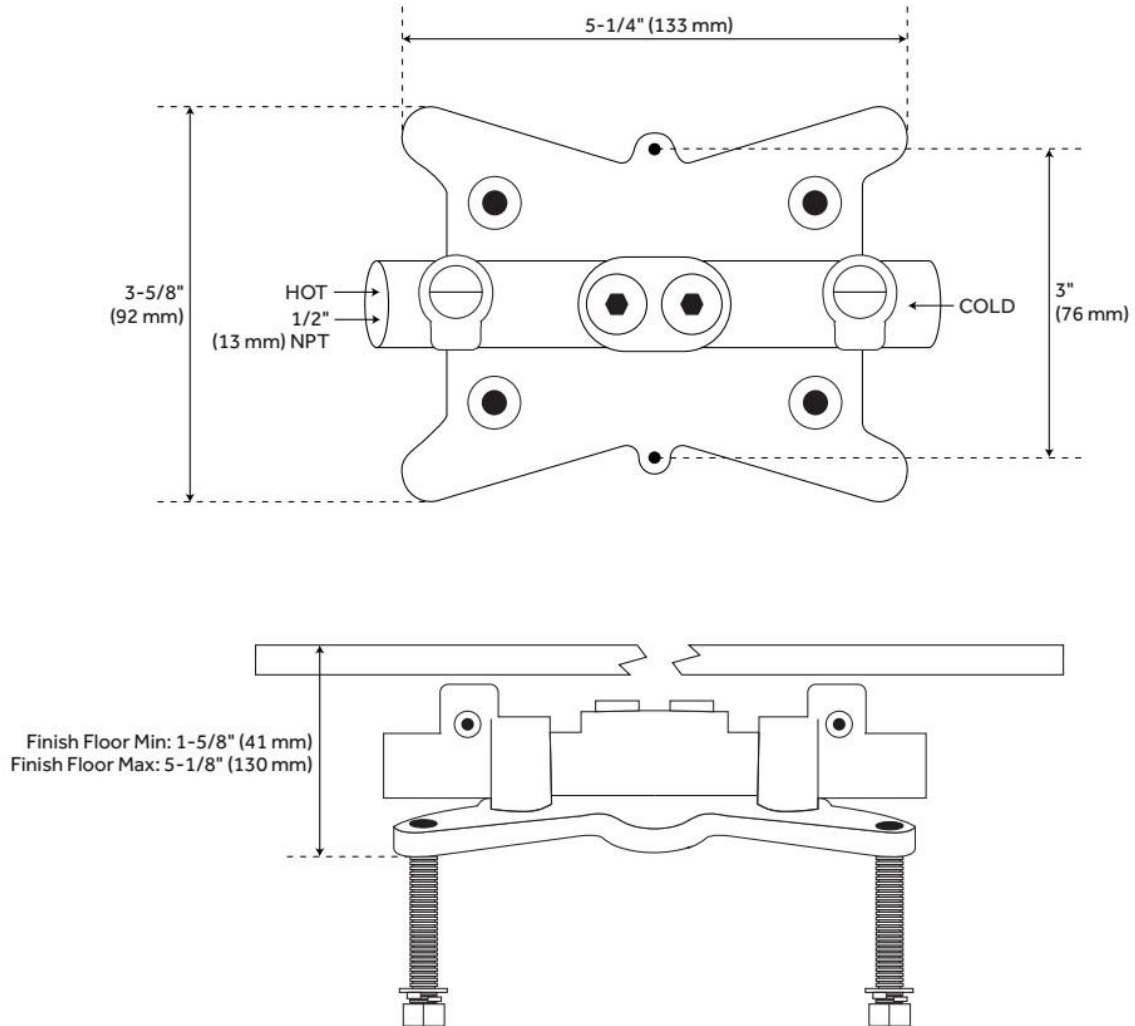
## ADDITIONAL FEATURES

- Not compatible with the Ryle, Napier, Keswick, Cooper, and Cybelle Freestanding Tub Faucets.

REVISED 5/13/2024

# FREESTANDING TUB FAUCET ROUGH-IN VALVE WITH STOPS

SKU: 448006  
Code: SHFSR2000WS



REVISED 5/13/2024