

ELITA SINGLE-HOLE BATHROOM FAUCET

SKU: 955081

Code: SHEL449001



FEATURES

Material: Metal construction for strength and durability

Installation Type: Single-Hole

Connection Type: Compression

Flow Rate: 1.2 gpm (4.5 L/min) @ 60 psi

Cartridge Type: Ceramic Disc

Swivel Spout: No

Drain Type: Metal push-pop with overflow

ASME A112.18.1/CSA B125.1, NSF/ANSI 372, NSF/ANSI 61, NSF/ANSI/CAN 61, NSF/ANSI/CAN 61-9:Q≤1, ICC/ANSI A117.1, CEC Listed, CALGreen, WaterSense by IAPMO, Massachusetts Accepted, LISTED ID: SHEL449001*



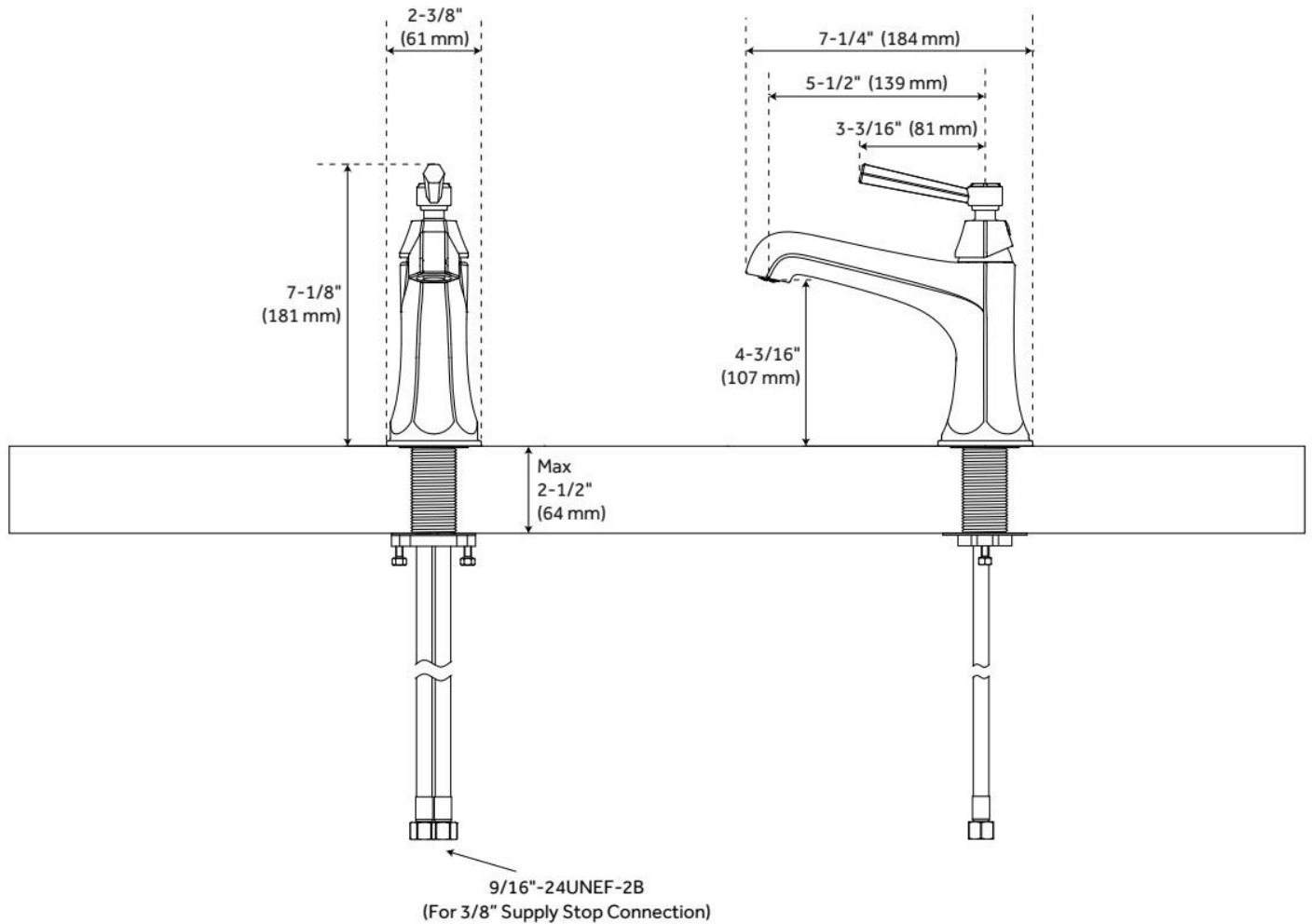
ADDITIONAL FEATURES

REVISED 7/16/2024

ELITA SINGLE-HOLE BATHROOM FAUCET

SKU: 955081

Code: SHEL449001

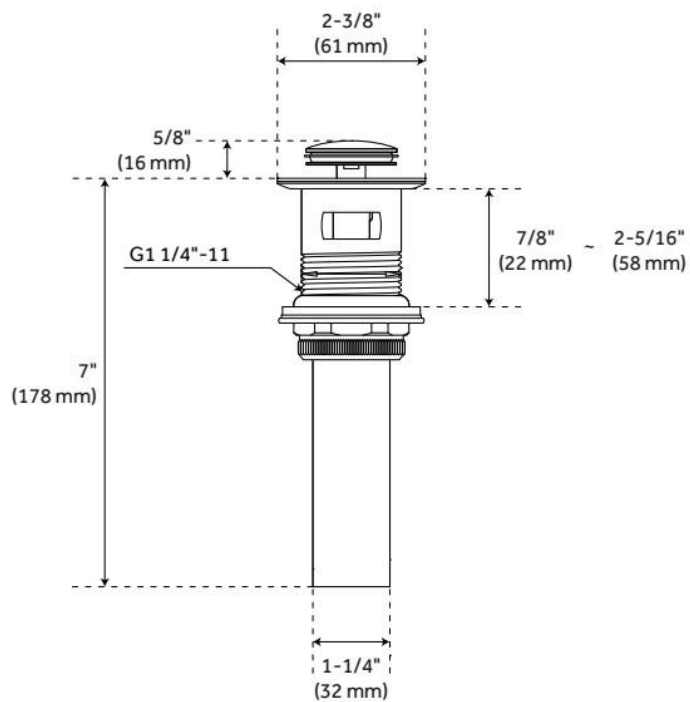


REVISED 7/16/2024

ELITA SINGLE-HOLE BATHROOM FAUCET

SKU: 955081

Code: SHEL449001



REVISED 7/16/2024