

# SEFINA PRESSURE BALANCE SHOWER SYSTEM

SKU: 954017

Code: SHSF8010, SH4001, SHRSA124, SHRSB820RG



## FEATURES

Material: Metal

Shower Head Swivel: Yes

Cartridge Type: Ceramic Disc

ASME A112.18.1/CSA B125.1, ASSE 1016 Type P, CEC Listed, WaterSense by IAPMO, Massachusetts Accepted, LISTED ID: SH4001, SHRSB820RG\*, SHSF8010\*\*, SHRSA124XX



## ADDITIONAL FEATURES

- Metal construction for ultimate strength and durability.
- Included Rough-in valve:
  - Pressure balance valve with integral stops.
  - One-piece cartridge design for ease of maintenance.
  - Back-to-back capability.
  - Ceramic disc valve cartridge.
  - Cast bronze valve body.
  - Adjustable temperature limit stop.
  - Quick remove plaster guard.
  - Easy mounting brackets.

REVISED 6/27/2024

# SEFINA PRESSURE BALANCE SHOWER TRIM

SKU: 953986

Code: SHSF8010, SH4001



## FEATURES

Material: Metal

ASME A112.18.1/CSA B125.1, ASSE 1016 Type P, Massachusetts Accepted, LISTED ID: SH4001, SHSF8010\*\*



## ADDITIONAL FEATURES

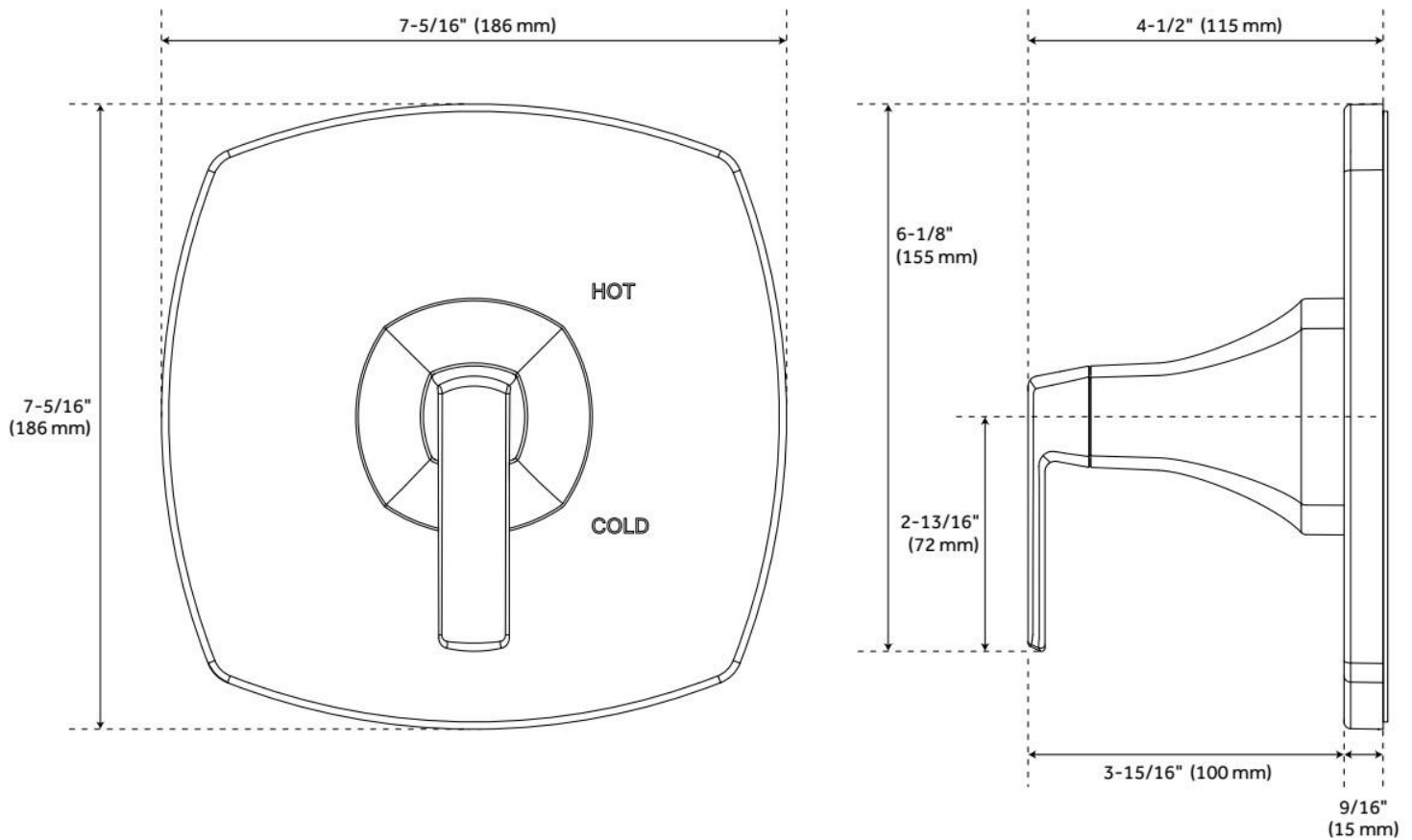
- Metal construction for ultimate strength and durability.
- May purchase with or without valve. Value required for use. (SH4001)
- When purchased with Rough-in Valve:
  - Pressure balance valve with integral stops.
  - One-piece cartridge design for ease of maintenance.
  - Back-to-back capability.
  - Ceramic disc valve cartridge.
  - Cast bronze valve body.
  - Adjustable temperature limit stop.
  - Quick remove plaster guard.
  - Easy mounting brackets.

REVISED 6/27/2024

# SEFINA PRESSURE BALANCE SHOWER TRIM

SKU: 953986

Code: SHSF8010, SH4001



REVISED 6/27/2024

# PRESSURE BALANCE TUB & SHOWER ROUGH-IN VALVE

SKU: 446520  
Code: SH4001



## FEATURES

Material: Bronze  
Flow Rate: 6.34 gpm (24.0 L/min) @ 80 psi  
Connection Type: 1/2" MIP and SWT  
Cartridge Type: Ceramic Disc

IAPMO, ASME A112.18.1/CSA B125.1, ASSE 1016 Type P, Massachusetts Accepted, LISTED ID: SH4001



## ADDITIONAL FEATURES

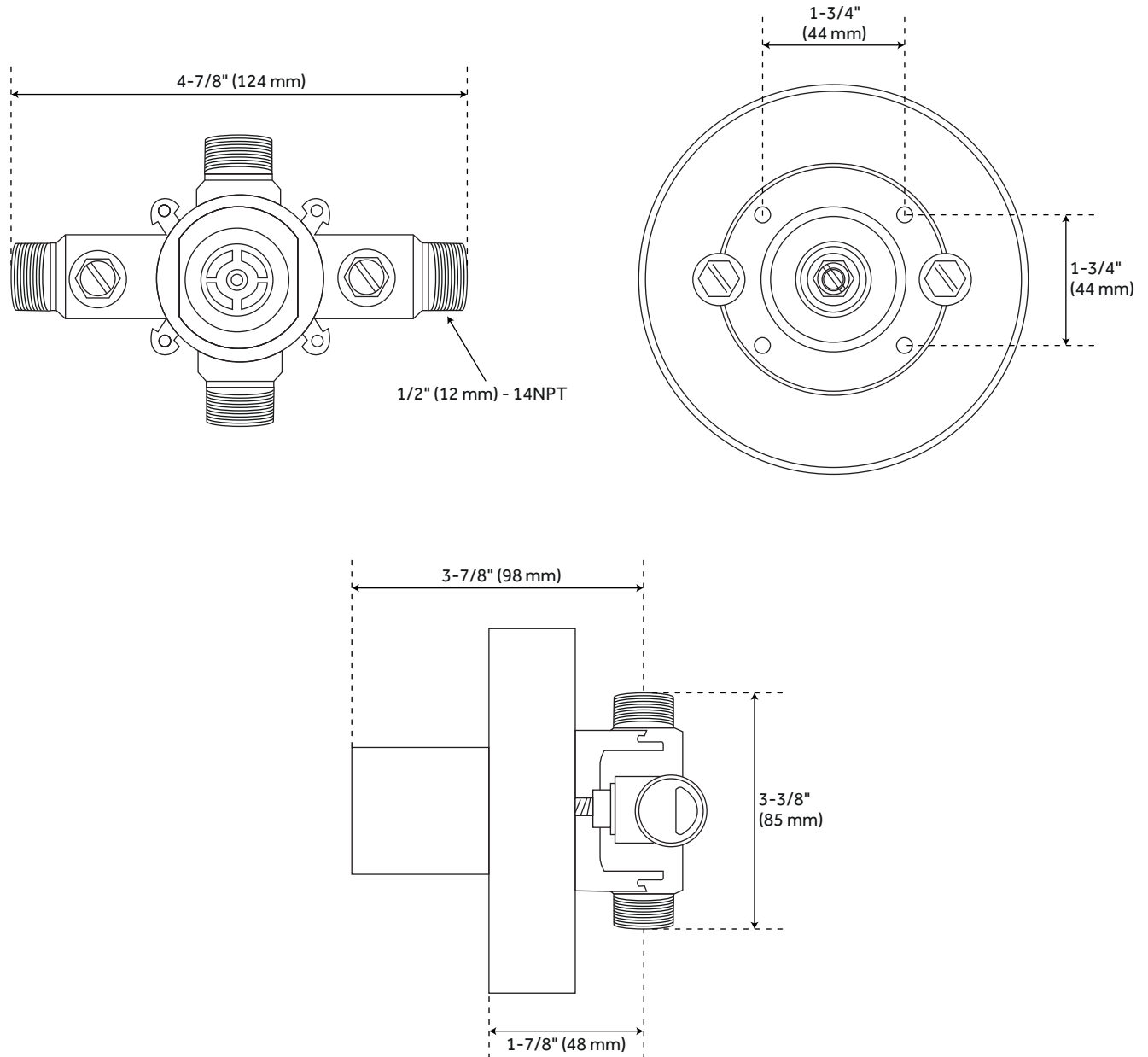
- Compatible with Beasley, Boca Raton, Carraway, Edenton, Greyfield, Hibiscus, Key West, Lentz, Lexia, Pendleton, Pinecrest, Provincetown, Rigi, St. Martin and Vilamonte Pressure Balance Trims.
- Pressure balance valve with integral stops.
- One-piece cartridge design for ease of maintenance.
- Back-to-back capability.
- Ceramic disc valve cartridge.
- Cast bronze valve body.
- Adjustable temperature limit stop.
- Quick remove plaster guard.
- Easy mounting brackets.
- Important Note: Pressure Balancing Valves, regardless of brand, are generally not recommended for use with tankless (on-demand) water heaters. Pressure Balancing Valves adjust to the lowest incoming water pressure. Because outgoing hot-water pressure of tankless water heaters can sometimes be significantly lower than household cold-water pressure, the result can be unsatisfactory water pressure in the shower.

REVISED 5/24/2024

# PRESSURE BALANCE TUB AND SHOWER ROUGH-IN VALVE

SKU: 446520

SH4001



All dimensions and specifications are nominal and may vary. Use actual products for accuracy in critical situations.

# 8" MODERN ROUND RAINFALL SHOWER HEAD - 1.8 GPM - CHROME

SKU: 948948-18

Code: SHRSB820RG, SH484203, SH485499, SHRSB820RGPB



## FEATURES

Material: ABS

Shower Head Swivel: Yes

ASME A112.18.1/CSA B125.1, CEC Listed, WaterSense by IAPMO, Massachusetts Accepted, LISTED ID: SHRSB820RG\*

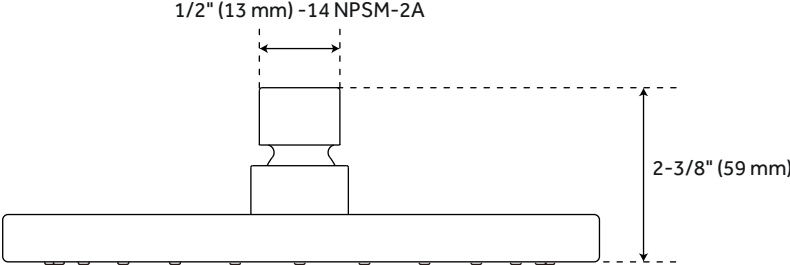
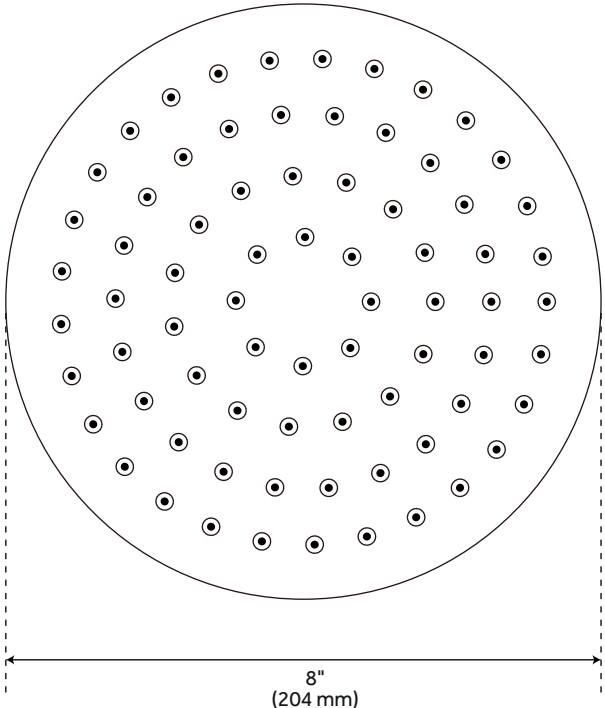


## ADDITIONAL FEATURES

- Single function shower head (full spray).
- Easy clean rubber nozzles.
- Brass ball joint.

REVISED 5/24/2024

# MODERN ROUND RAINFALL SHOWER HEAD - 1.8 GPM



All dimensions and specifications are nominal and may vary. Use actual products for accuracy in critical situations.

# MODERN SHOWER ARM

SKU: 953989  
Code: SHRSA124

## FEATURES

Material: Metal



ASME A112.18.1/CSA B125.1, Massachusetts Accepted, LISTED ID: SHRSA124XX



## ADDITIONAL FEATURES

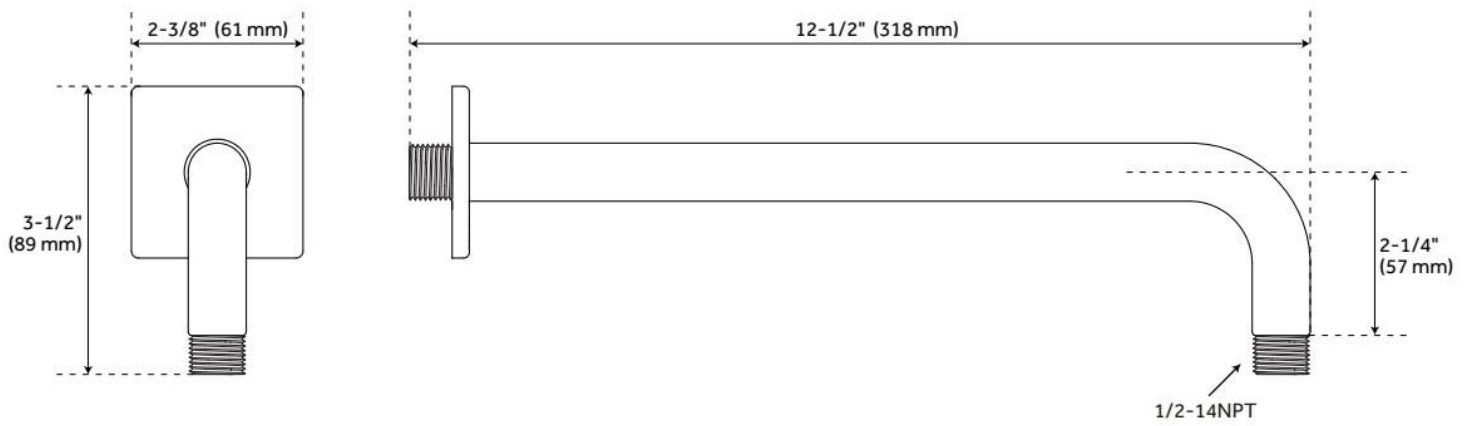
- Metal construction for ultimate strength and durability.
- Escutcheon included.

REVISED 5/24/2024



# MODERN SHOWER ARM

SKU: 953989  
Code: SHRSA124



REVISED 5/24/2024