

SEFINA IN-WALL SHOWER DIVERTER TRIM

SKU: 953987

Code: SHSF9005, SH6103



FEATURES

Material: Metal
Length: 4-7/16"
Width: 3-13/16"
Height: 4-7/8"
Assembly Required: No
Handle Type: Lever
Handle Length: 2-3/4"
Diverter Outlets: 3

ASME A112.18.1/CSA B125.1

ASME A112.18.2/CSA B125.2

Massachusetts Accepted



REVISED 4/11/2024

SEFINA IN-WALL SHOWER DIVERTER TRIM

SKU: 953987

Code: SHSF9005, SH6103

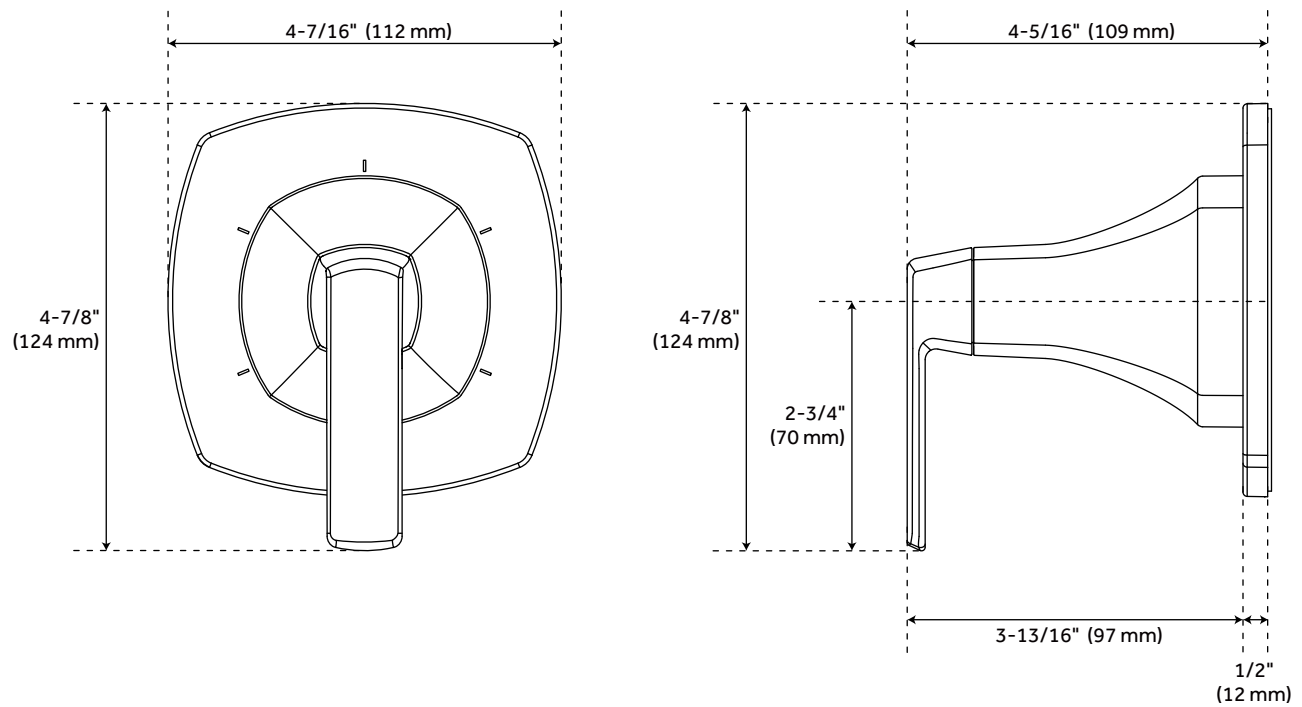


ADDITIONAL FEATURES

- Metal construction for ultimate strength and durability.
- May purchase with or without valve. Value required for use.(SH6103)
- When purchased with Rough-in Valve:
 - Brass valve body.
 - Ceramic disc cartridge.
 - Not intended as a shut off valve.
 - SH6150: CALGreen cartridge (no shared functions)
 - Optional extension kit: SH6101EXT*.

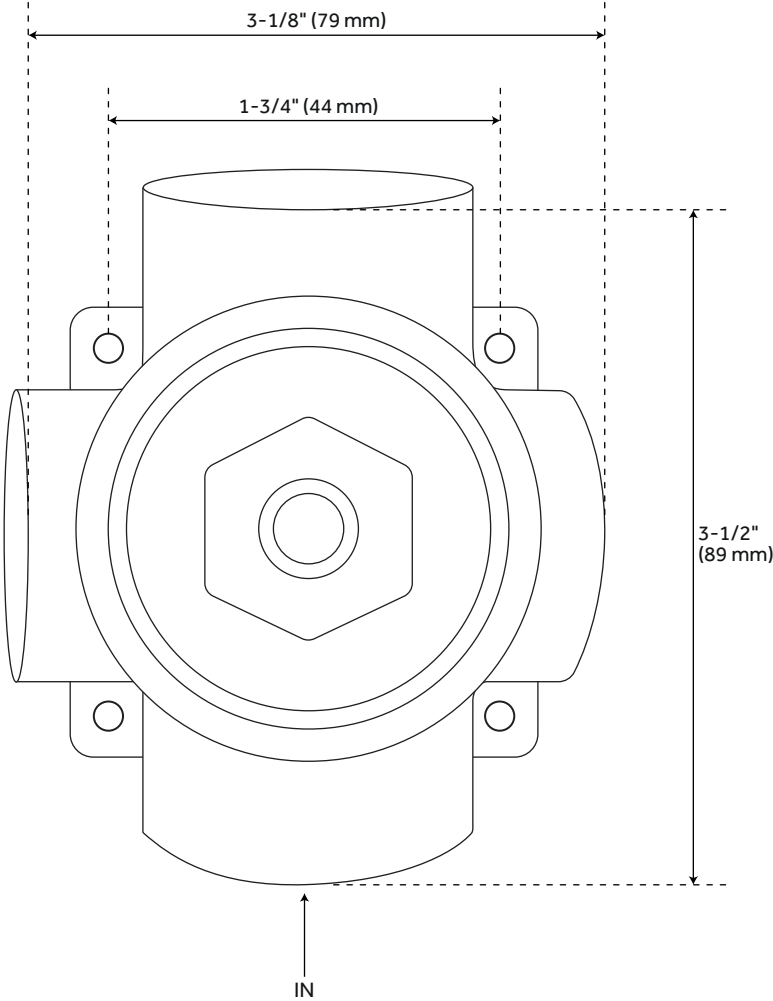
REVISED 4/11/2024

SEFINA IN-WALL SHOWER DIVERTER TRIM



All dimensions and specifications are nominal and may vary. Use actual products for accuracy in critical situations.

SEFINA OPTIONAL IN-WALL 3-WAY DIVERTER ROUGH-IN VALVE



All dimensions and specifications are nominal and may vary. Use actual products for accuracy in critical situations.