

# TRADITIONAL RETRACTABLE WALL-MOUNT POT FILLER FAUCET

SKU: 954008

Code: SH488314, SH488311, SH488313, SH488318, SH488316, SH488320, SH488312, SH488315, SH488317



## FEATURES

Installation Type: Wall Mount  
Design: Traditional  
Material: Metal  
Length: 15-1/8"  
Width: 4-7/8"  
Height: 9-1/16"  
Base Plate Diameter: 2-7/8"  
Assembly Required: Yes  
Faucet Centers: Single-Hole  
Drain Included: No  
Handle Type: Lever  
Handle Length: 2-7/8"  
IPS: 1/2"  
Flow Rate: 4.6 gpm (17.4 L/min) @ 60 psi  
Kitchen Faucet Holes: 1  
Height To Spout: 2-1/4"  
Spout Reach: 22"  
Swivel Spout: Yes  
Ceramic Disc Cartridges: Yes  
Hot and Cold Indicators: No  
Handle Material: Metal  
Weight: 5

ASME A112.18.1/CSA B125.1

NSF/ANSI 372

NSF/ANSI 61

NSF/ANSI/CAN 61

NSF/ANSI/CAN 61-9:Q≤1

ICC/ANSI A117.1

Massachusetts Accepted

LISTED ID: SH349720\*



REVISED 3/13/2024

# TRADITIONAL RETRACTABLE WALL-MOUNT POT FILLER FAUCET

SKU: 954008

Code: SH488314, SH488311, SH488313, SH488318, SH488316, SH488320, SH488312, SH488315, SH488317

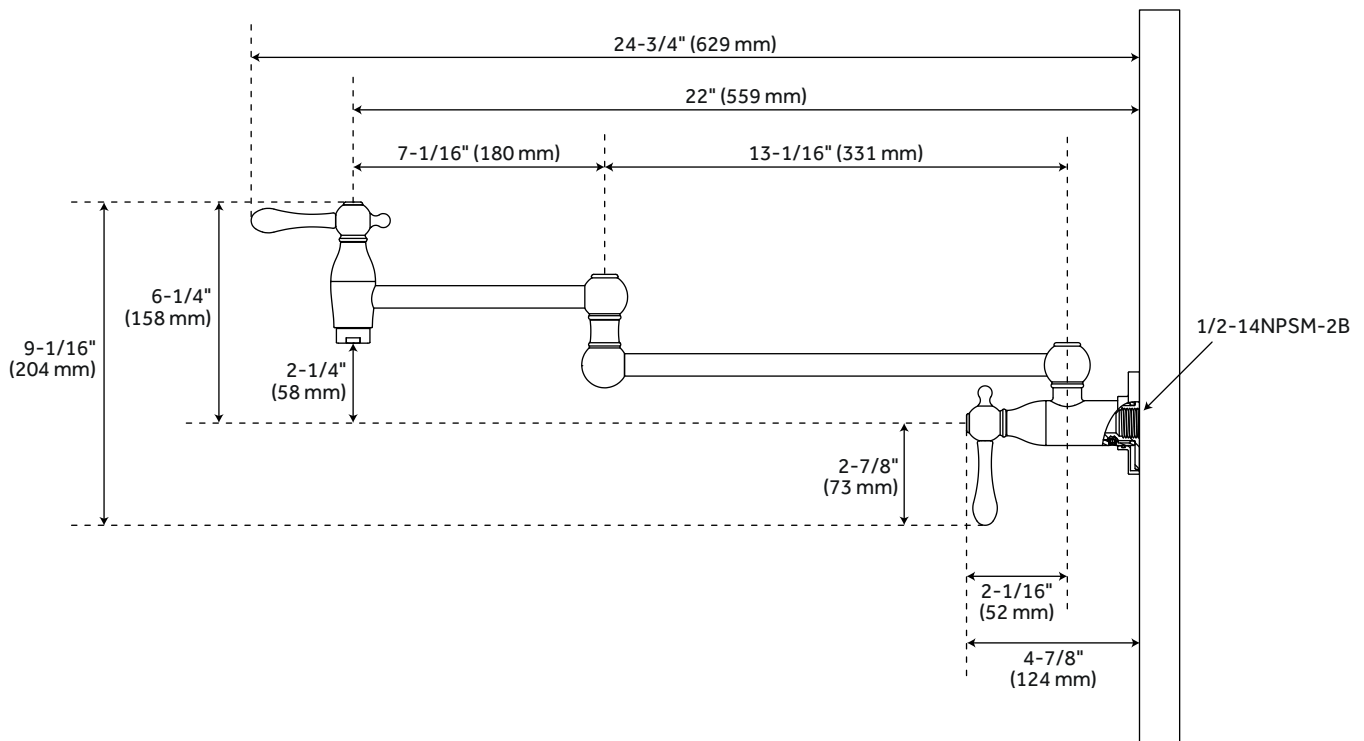
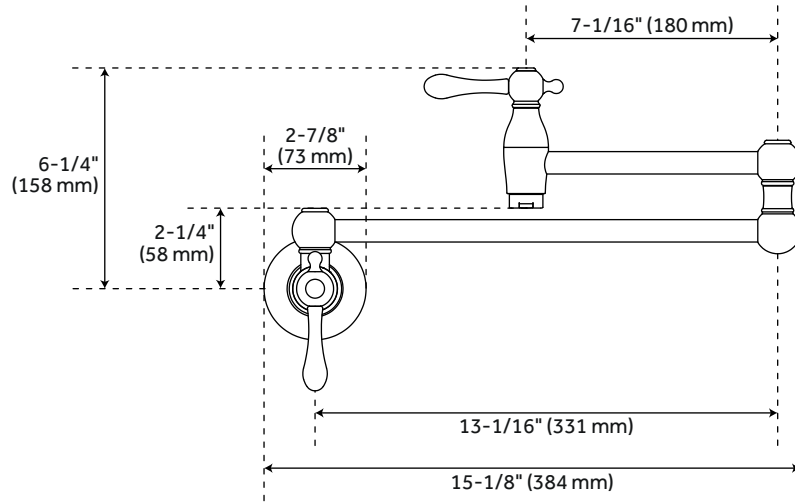


## ADDITIONAL FEATURES

- Made of high quality materials.
- Overall reach: 22". Measures 15-1/8" across when folded against the wall.
- Double-jointed swing spout.

REVISED 3/13/2024

# TRADITIONAL RETRACTABLE WALL-MOUNT POT FILLER FAUCET



All dimensions and specifications are nominal and may vary. Use actual products for accuracy in critical situations.