

GREYFIELD THERMOSTATIC SHOWER SYSTEM WITH 3 BODY SPRAYS AND HAND SHOWER

SKU: 953975

Code: SHGF9009, SH6006, SHRSA123, SHRSB820RG, SHHS4110G, SHH1010, SHWES2050, SHGF9005, SH6103, SHGF9007, SH6040, SHBS6010ECP (x3)



ASME A112.18.1/CSA B125.1
WaterSense by IAPMO
Massachusetts Accepted



FEATURES

Installation Type: Wall Mount
Features: Thermostatic, Rough-In Included
Design: Modern
Material: Brass, ABS
Mounting Hardware Included: Yes
Assembly Required: Yes
Shape: Round
Handle Type: Lever
Body Spray Flow Rate: 2.5 gpm (9.5 L/min) @ 80 psi
NPT Connection: 1/2"
Body Sprays: Yes
Number of Body Sprays: 3
Shower Head Installation Type: Wall
Number of Shower Heads: 1
Shower Head Spray: Single Function
Shower Head Length: 8"
Shower Head Width: 8"
Shower Arm Included: Yes
Shower Arm Extension: 12-3/8"
Shower Arm Height: 5-3/8"
Shower Head: 1/2" NPSM
Shower Head Swivel: Yes
Valve Trim Width: 6-11/16"
Valve Trim Height: 6-11/16"
Hand Shower Length: 9-5/8"
Hand Shower Hose Length: 60"
Hand Shower Material: ABS
Hand Shower Flow Rate: 1.8 gpm (6.8 L/min) @ 80 psi
Diverter Included: Yes
Diverter Outlets: 3
Shower Head Flow Rate: 1.8 gpm (6.8 L/min) @ 80 psi
Rainfall Shower Head Flow Rate: 1.8 gpm (6.8 L/min) @ 80 psi
Ceramic Disc Cartridges: Yes

REVISED 1/15/2024

GREYFIELD THERMOSTATIC SHOWER SYSTEM WITH 3 BODY SPRAYS AND HAND SHOWER

SKU: 953975

Code: SHGF9009, SH6006, SHRSA123, SHRSB820RG, SHHS4110G, SHH1010, SHWES2050, SHGF9005, SH6103, SHGF9007, SH6040, SHBS6010ECP (x3)



ADDITIONAL FEATURES

Greyfield Thermostatic Valve Trim:

- Metal handle.
- Temperature outlet factory preset to 104 degrees Fahrenheit.
- Temperature can be easily adjusted up and down to user's comfort level.
- Scald guard protection.
- High temperature limit stop.
- Thermostatic technology keeps shower temperature within 1 degree Celsius.
- Wall thickness range: 1" to 1-3/4".

Thermostatic Rough-In Valve - 3/4" Connection:

- Bronze valve body.
- Factory-calibrated comfort setting at 104 degrees Fahrenheit.
- Water inlet stops and check valve.
- Thermostatic technology keeps shower temperature ± 1 degree Celsius.

12" Wall-Mount Rainfall Shower Arm:

- Solid brass construction.
- Escutcheon included.

8" Modern Round Rainfall Shower Head - 1.8 GPM - :

- Single function shower head (full spray).
- Easy clean rubber nozzles.
- Brass ball joint.

Round Paddle Multifunction Hand Shower :

- 3 function hand shower (full spray, massage spray, full & massage spray).
- Easy-clean spray nozzles.
- Factory installed backflow prevention check valve.
- Hose sold separately.

60" Stretchable Metal Hand Shower Hose:

- Double spiral constructed hose.

Swivel Water Supply Elbow and Bracket for Hand Shower:

- 1/2" Female wall connection.
- 1/2" Male hose connection.
- Brass inlet/outlet, ABS body.

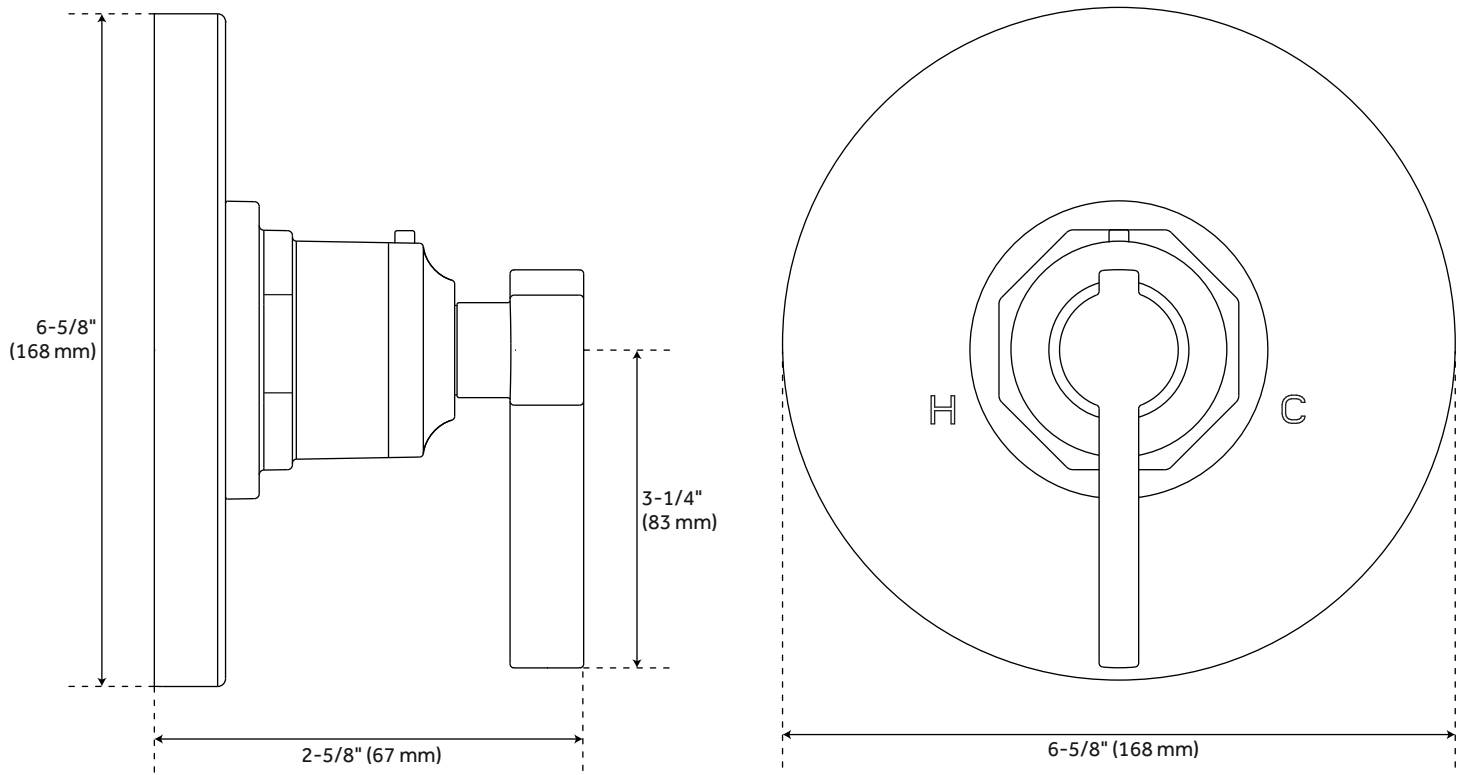
Greyfield In-Wall Shower Diverter Trim:

- Metal handle.

REVISED 1/15/2024

GREYFIELD THERMOSTATIC SHOWER VALVE

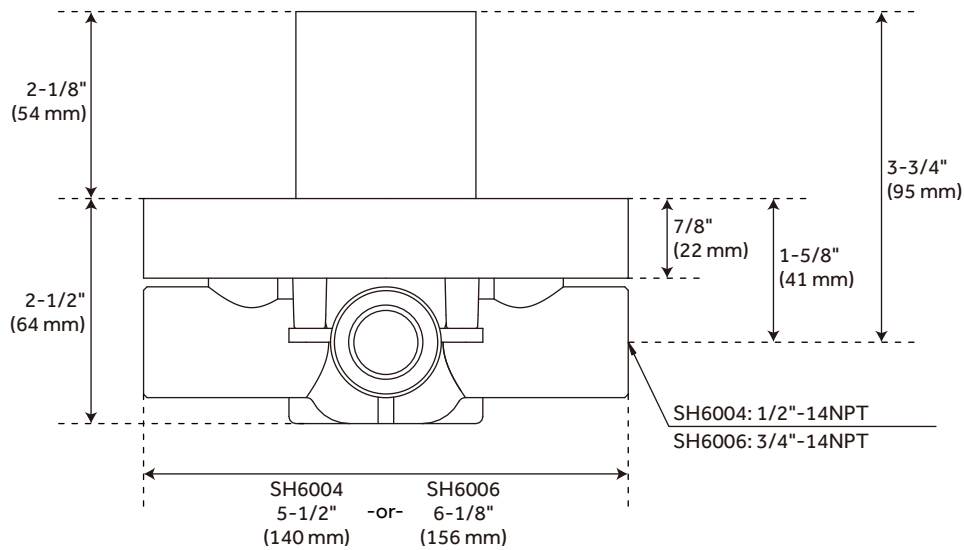
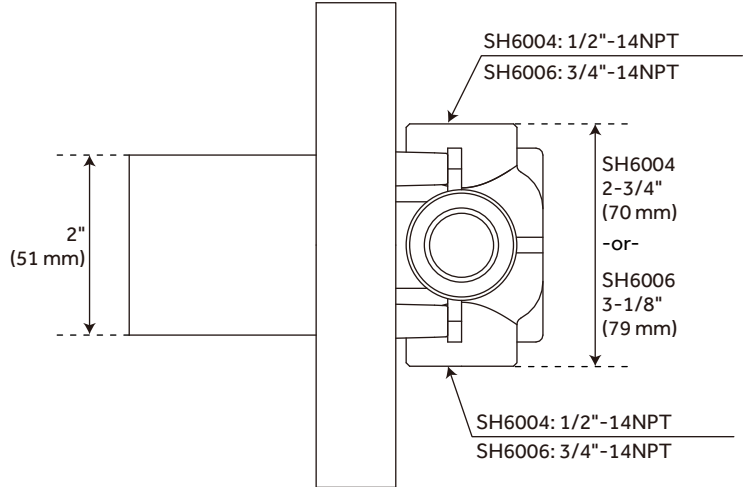
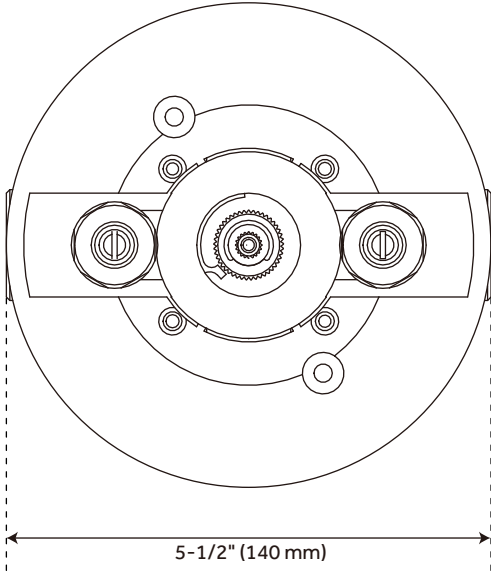
CODE: SHGF9009



All dimensions and specifications are nominal and may vary. Use actual products for accuracy in critical situations.

THERMOSTATIC ROUGH-IN SHOWER VALVE -3/4"

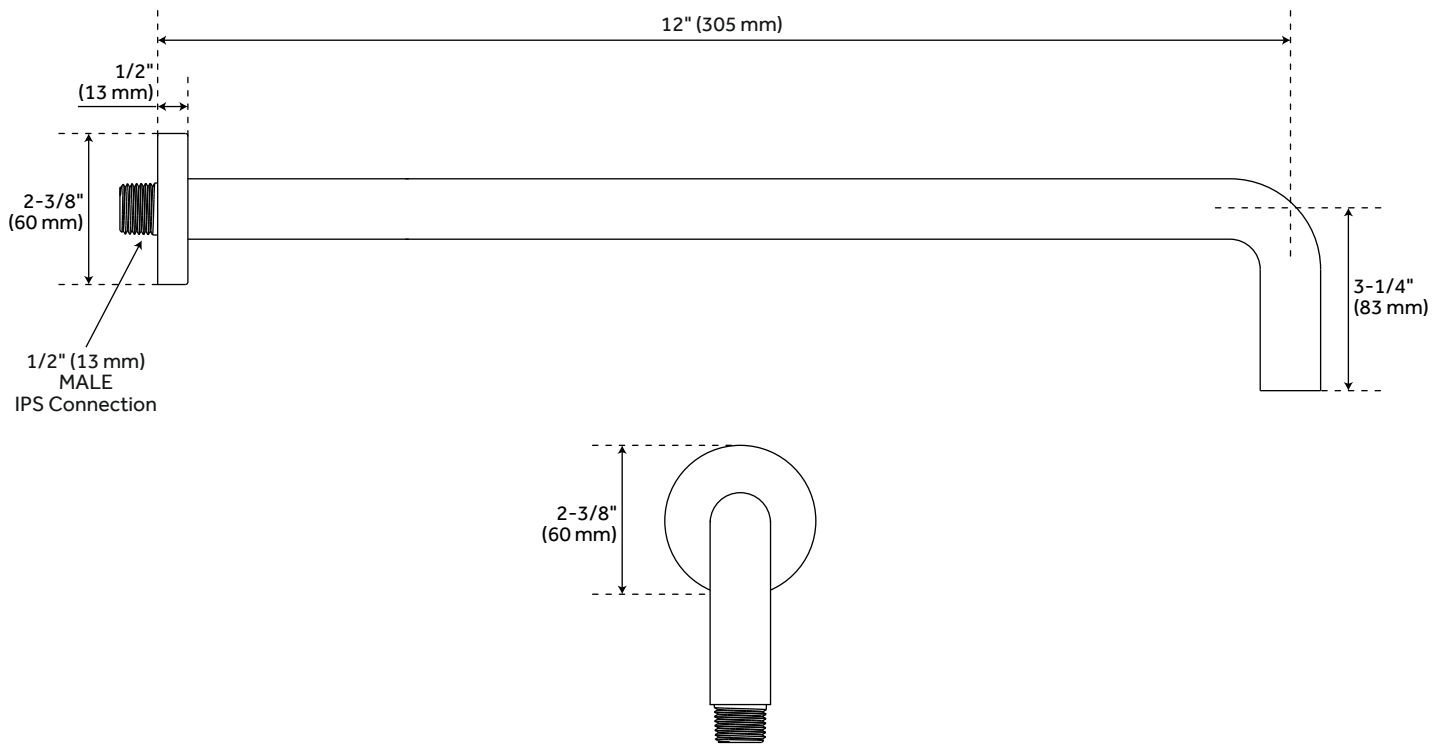
CODE: SH6006



All dimensions and specifications are nominal and may vary. Use actual products for accuracy in critical situations.

GREYFIELD WALL-MOUNT SHOWER ARM

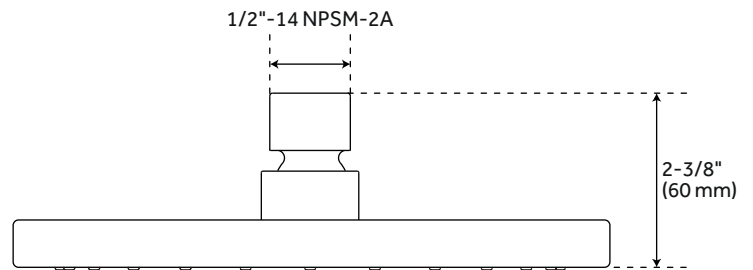
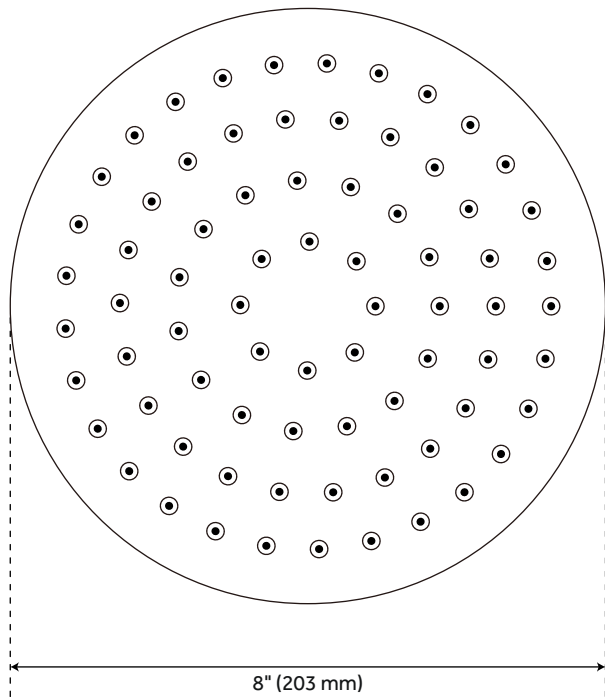
CODE: SHRSA123



All dimensions and specifications are nominal and may vary. Use actual products for accuracy in critical situations.

GREYFIELD RAINFALL SHOWER HEAD

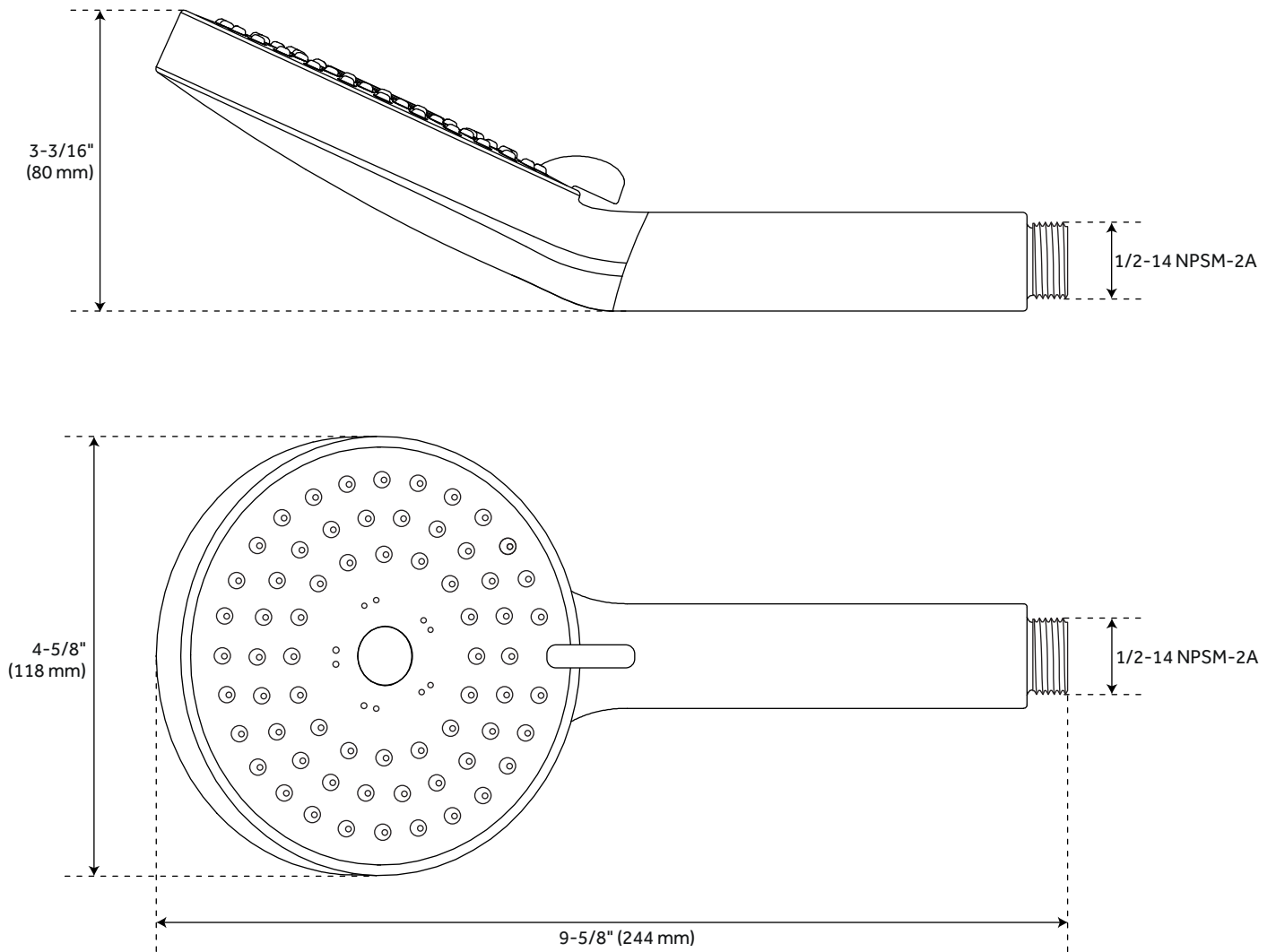
CODE: SHRSB820RG



All dimensions and specifications are nominal and may vary. Use actual products for accuracy in critical situations.

GREYFIELD MULTIFUNCTION HAND SHOWER

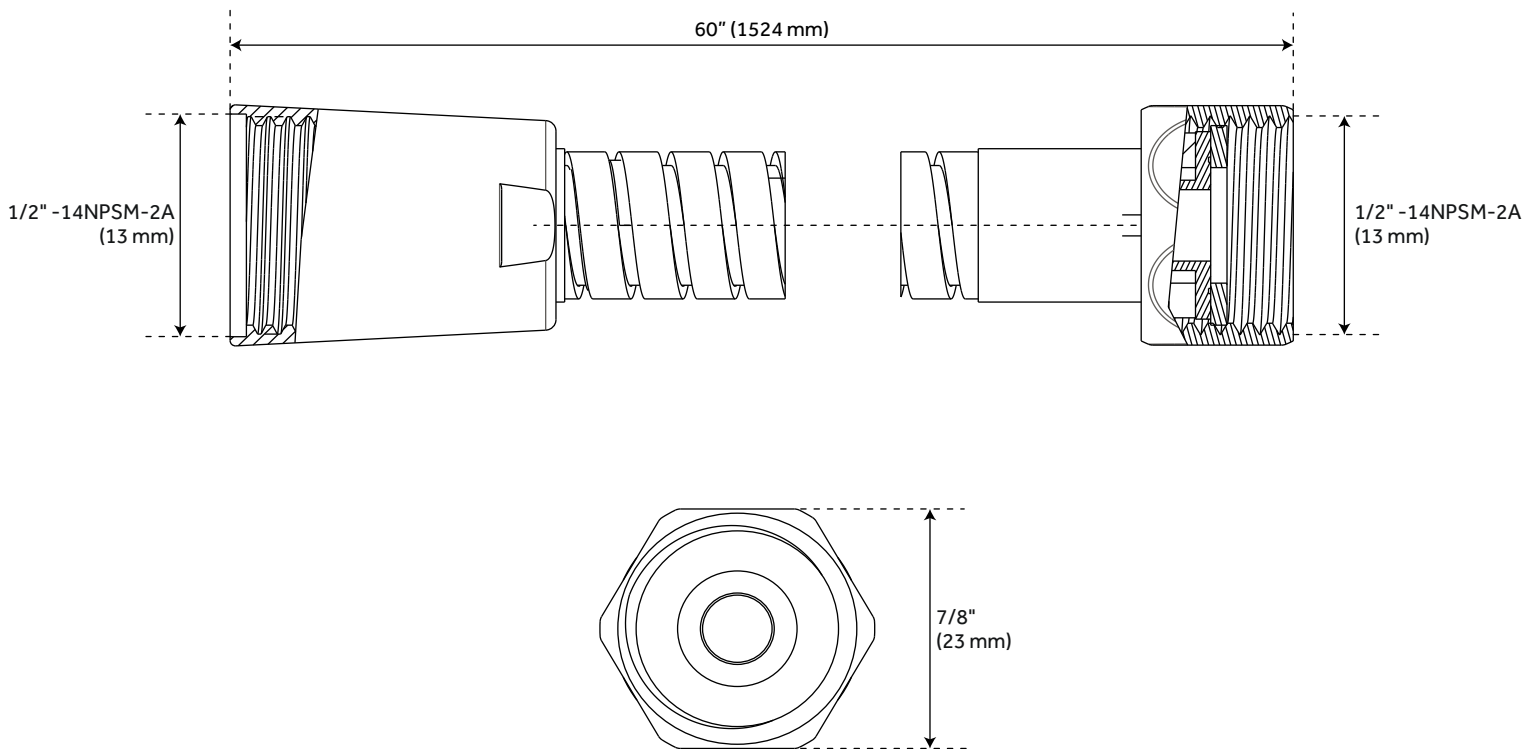
CODE: SHHS4110G



All dimensions and specifications are nominal and may vary. Use actual products for accuracy in critical situations.

GREYFIELD HAND SHOWER HOSE

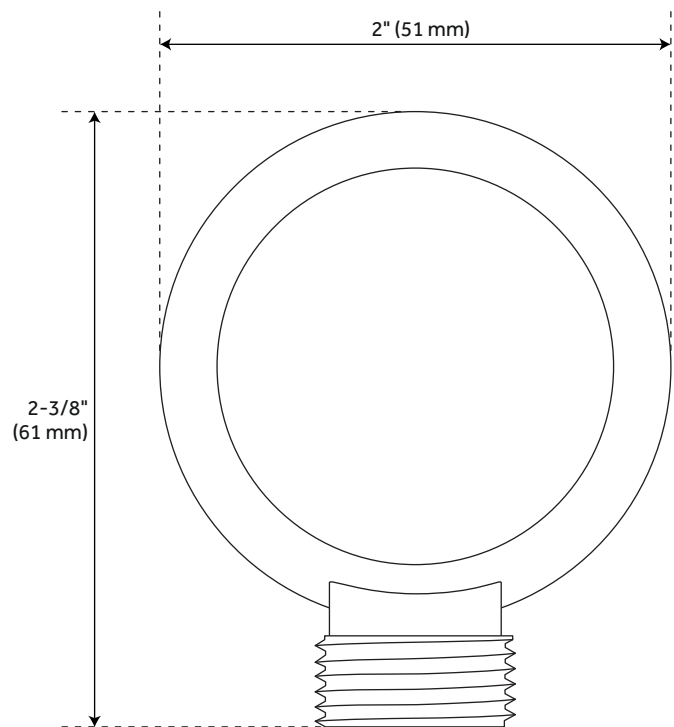
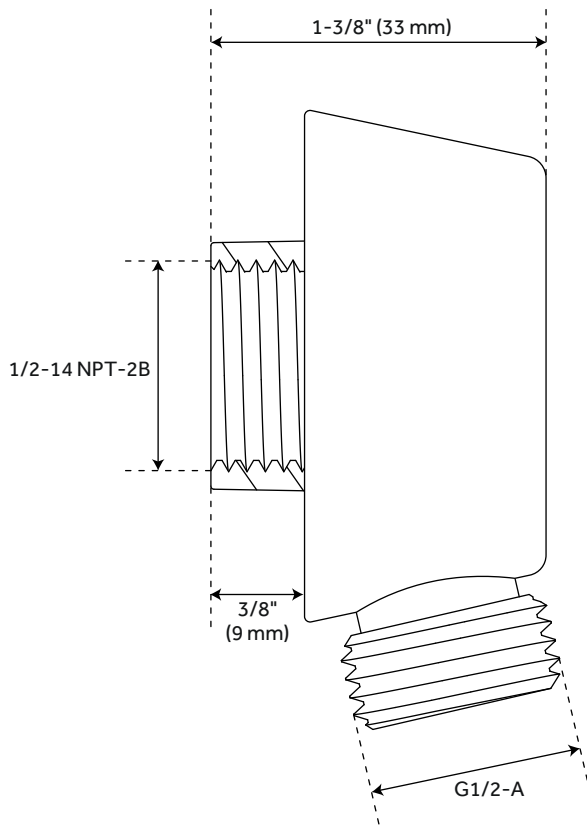
CODE: SHH1010



All dimensions and specifications are nominal and may vary. Use actual products for accuracy in critical situations.

GREYFIELD WATER SUPPLY ELBOW

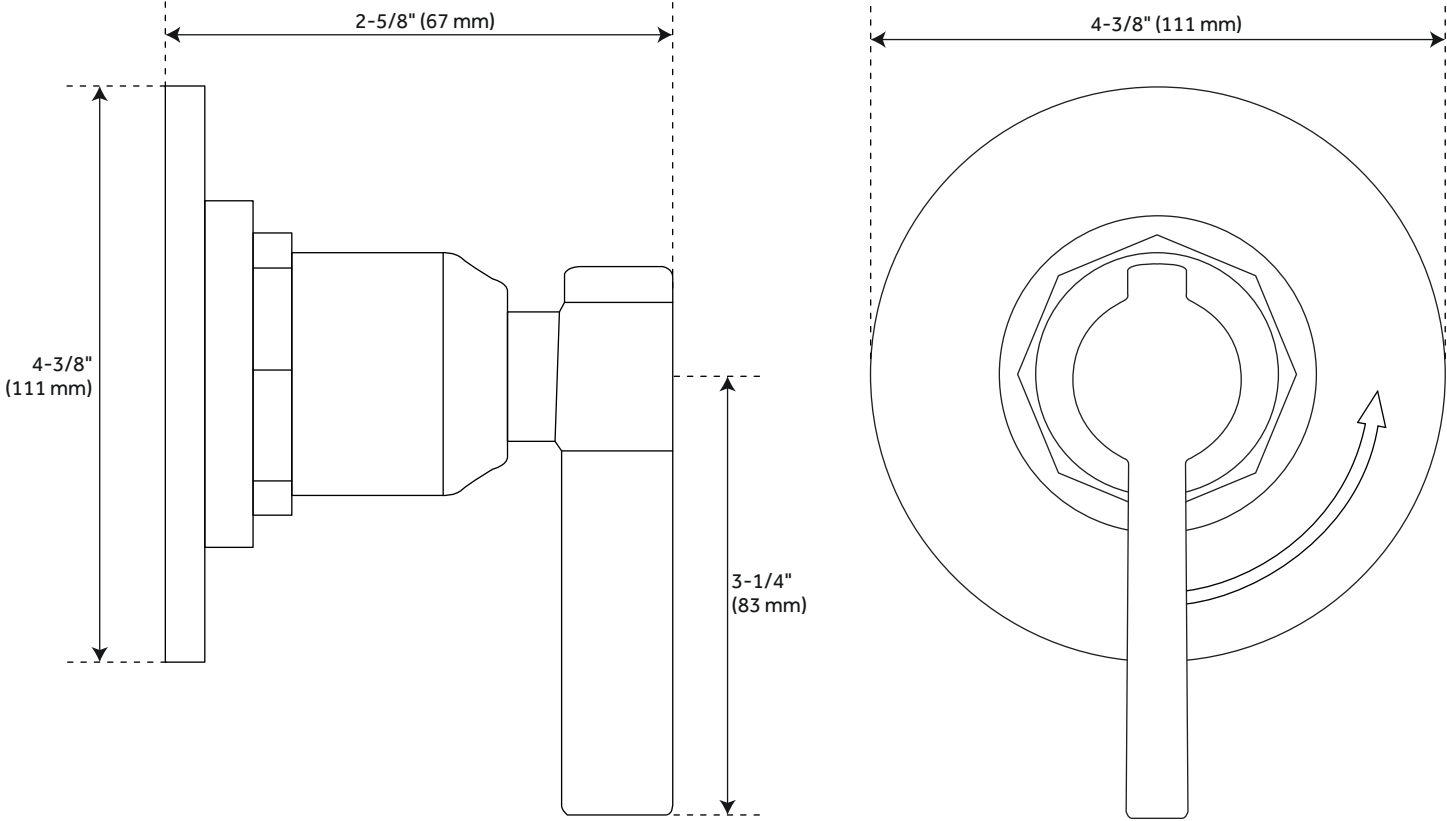
CODE: SHWE2040



All dimensions and specifications are nominal and may vary. Use actual products for accuracy in critical situations.

GREYFIELD IN-WALL SHOWER VOLUME CONTROL HANDLE

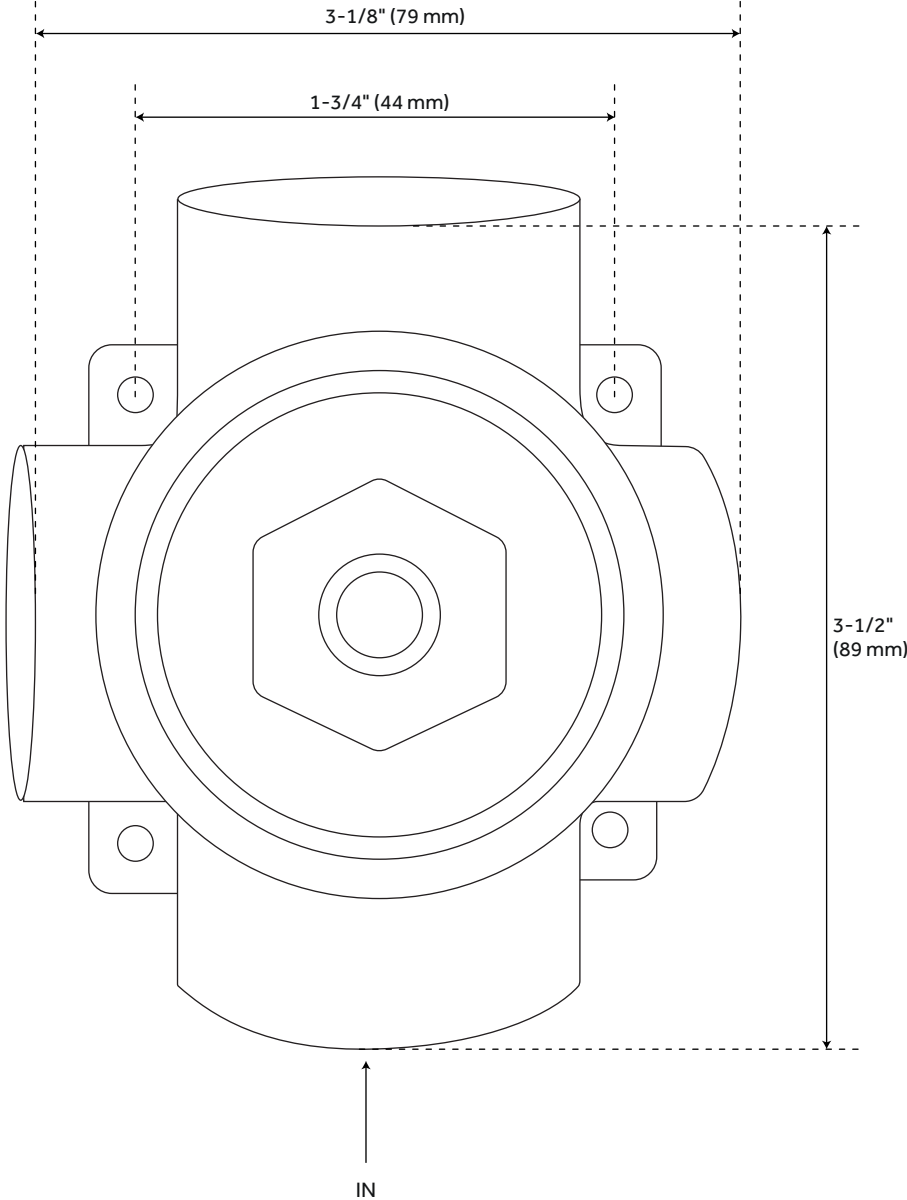
CODE: SHGF9005



All dimensions and specifications are nominal and may vary. Use actual products for accuracy in critical situations.

GREYFIELD OPTIONAL 3-WAY IN-WALL DIVERTER ROUGH-IN VALVE - 3/4"

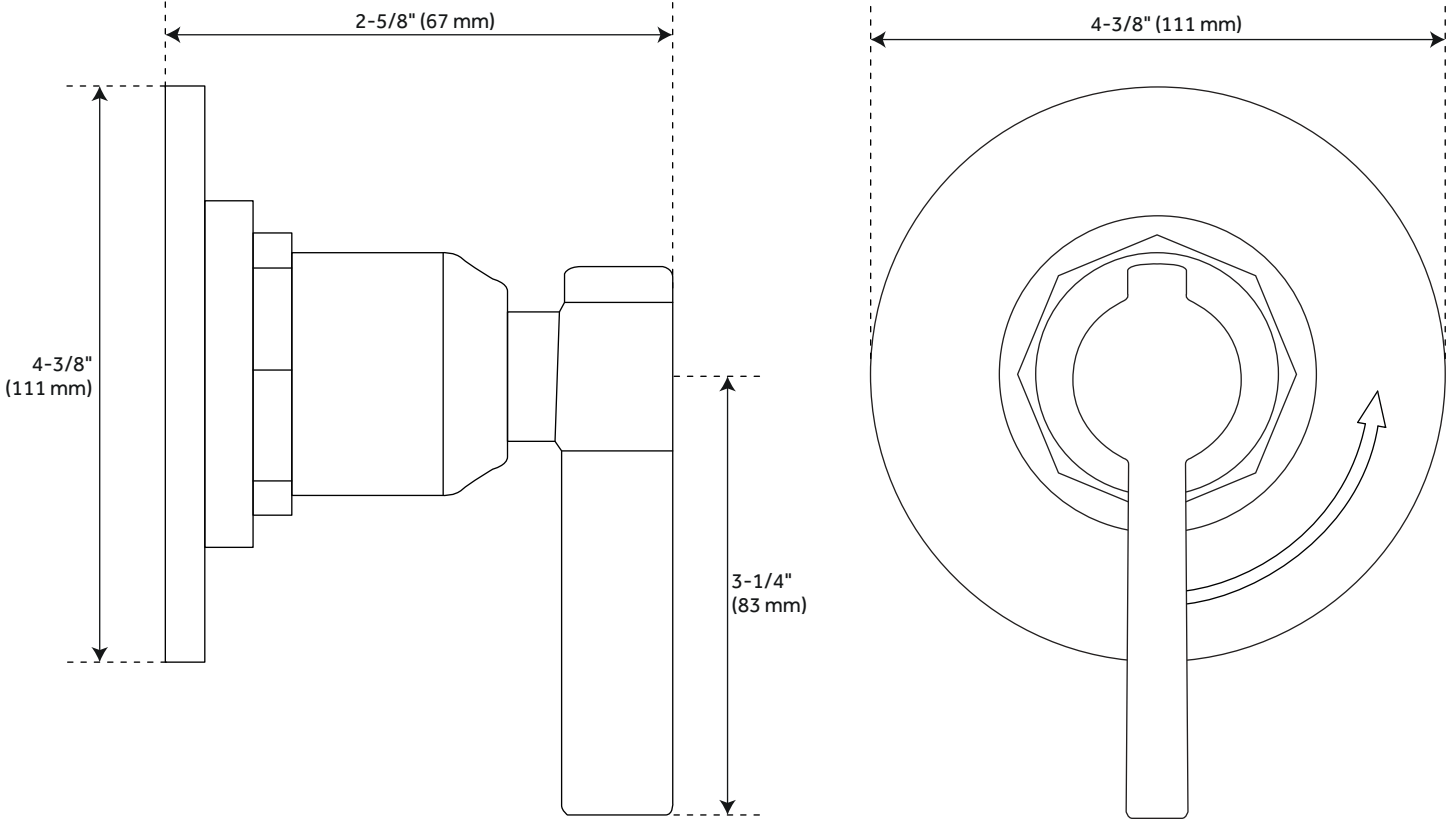
CODE: SH6103



All dimensions and specifications are nominal and may vary. Use actual products for accuracy in critical situations.

GREYFIELD IN-WALL SHOWER VOLUME CONTROL HANDLE

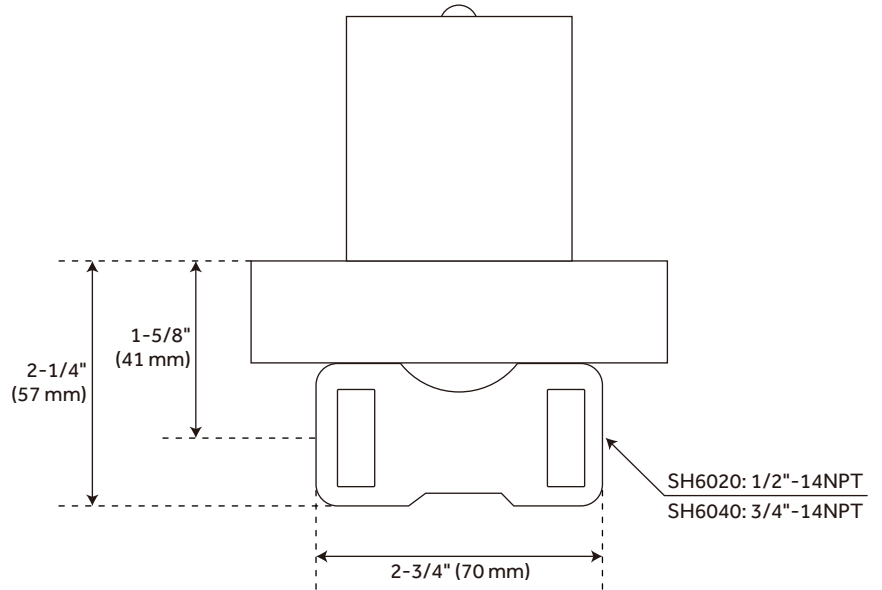
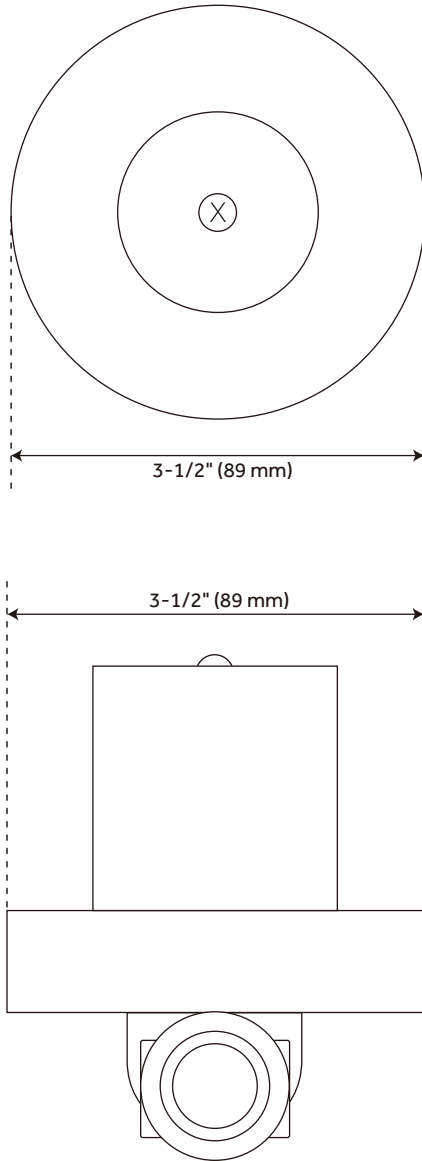
CODE: SHGF9007



All dimensions and specifications are nominal and may vary. Use actual products for accuracy in critical situations.

GREYFIELD OPTIONAL VOLUME CONTROL ROUGH-IN VALVE - 1/2" -OR- 3/4" CONNECTION

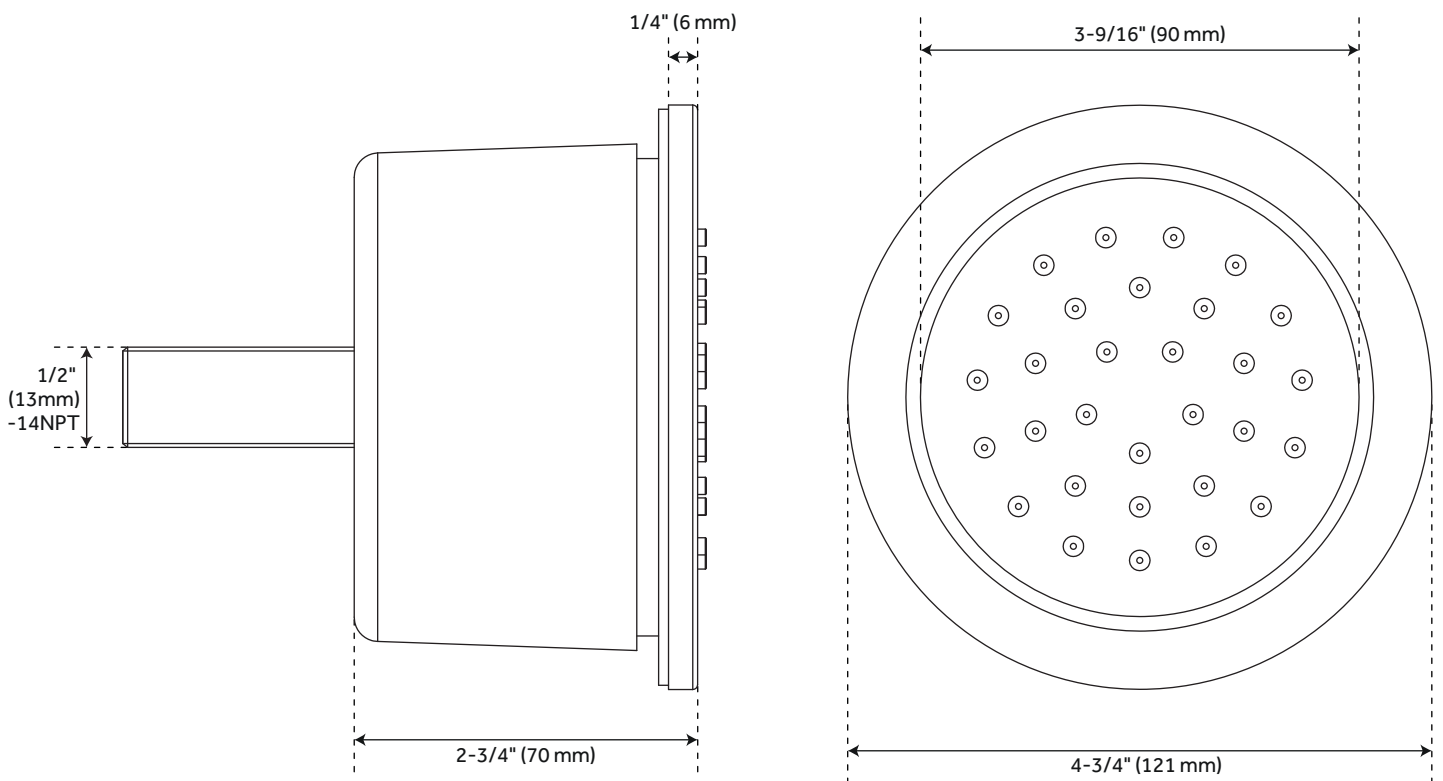
CODE: SH6040



All dimensions and specifications are nominal and may vary. Use actual products for accuracy in critical situations.

GREYFIELD BODY SPRAY

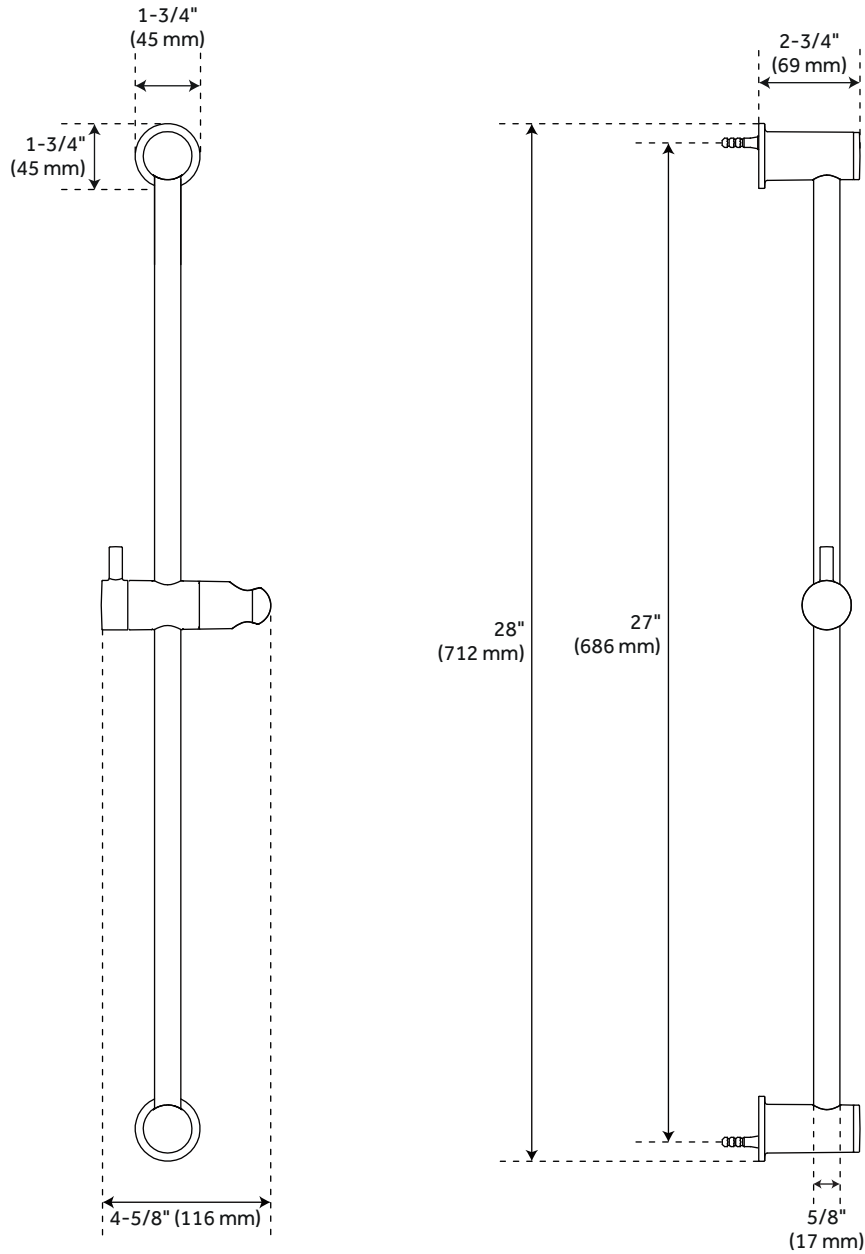
CODE: SHBS6010E



All dimensions and specifications are nominal and may vary. Use actual products for accuracy in critical situations.

GREYFIELD SLIDE BAR

CODE: SHSB3040



All dimensions and specifications are nominal and may vary. Use actual products for accuracy in critical situations.