

# GREYFIELD PRESSURE BALANCE TUB AND SHOWER SYSTEM

SKU: 953968

Code: SHGF8010, SH4001, SHRSA123, SHRSB820RG, SHTS86, SHRSB82



ASME A112.18.1/CSA B125.1

CEC Listed

WaterSense by IAPMO



## FEATURES

Installation Type: Wall Mount  
Features: Pressure-Balanced, Rough-In Included, Tub Spout  
Design: Modern  
Material: Brass,ABS  
Mounting Hardware Included: Yes  
Assembly Required: Yes  
Shape: Round  
Handle Type: Lever  
NPT Connection: 1/2"  
Shower Head Installation Type: Wall  
Number of Shower Heads: 1  
Shower Head Spray: Single Function  
Shower Head Length: 8"  
Shower Head Width: 8"  
Shower Arm Included: Yes  
Shower Arm Extension: 12-3/8"  
Shower Arm Height: 5-3/8"  
Shower Head: 1/2" NPSM  
Shower Head Swivel: Yes  
Tub Filler Spout Reach: 7-15/16"  
Valve Trim Width: 6-11/16"  
Valve Trim Height: 6-11/16"  
Hand Shower Hose Length: 60"  
Hand Shower Material: ABS  
Diverter Included: Yes  
Diverter Outlets: 1  
Shower Head Flow Rate: 1.8 gpm (6.8 L/min) @ 80 psi  
Rainfall Shower Head Flow Rate: 1.8 gpm (6.8 L/min) @ 80 psi  
Ceramic Disc Cartridges: Yes

REVISED 1/15/2024

# GREYFIELD PRESSURE BALANCE TUB AND SHOWER SYSTEM

SKU: 953968

Code: SHGF8010, SH4001, SHRSA123, SHRSB820RG, SHTS86, SHRSB82



## ADDITIONAL FEATURES

Pressure Balance Shower Valve Trim :

- Metal handle.
- Metal escutcheon.

Pressure Balance Tub & Shower Rough-In Valve:

- Pressure balance valve with integral stops.
- One-piece cartridge design for ease of maintenance.
- Back-to-back capability.
- Ceramic disc valve cartridge.
- Cast bronze valve body.
- Adjustable temperature limit stop.
- Easy mounting brackets.

12" Wall-Mount Rainfall Shower Arm:

- Solid brass construction.
- Escutcheon included.

8" Modern Round Rainfall Shower Head - 1.8 GPM :

- Single function shower head (full spray).
- Easy clean rubber nozzles.
- Brass ball joint.

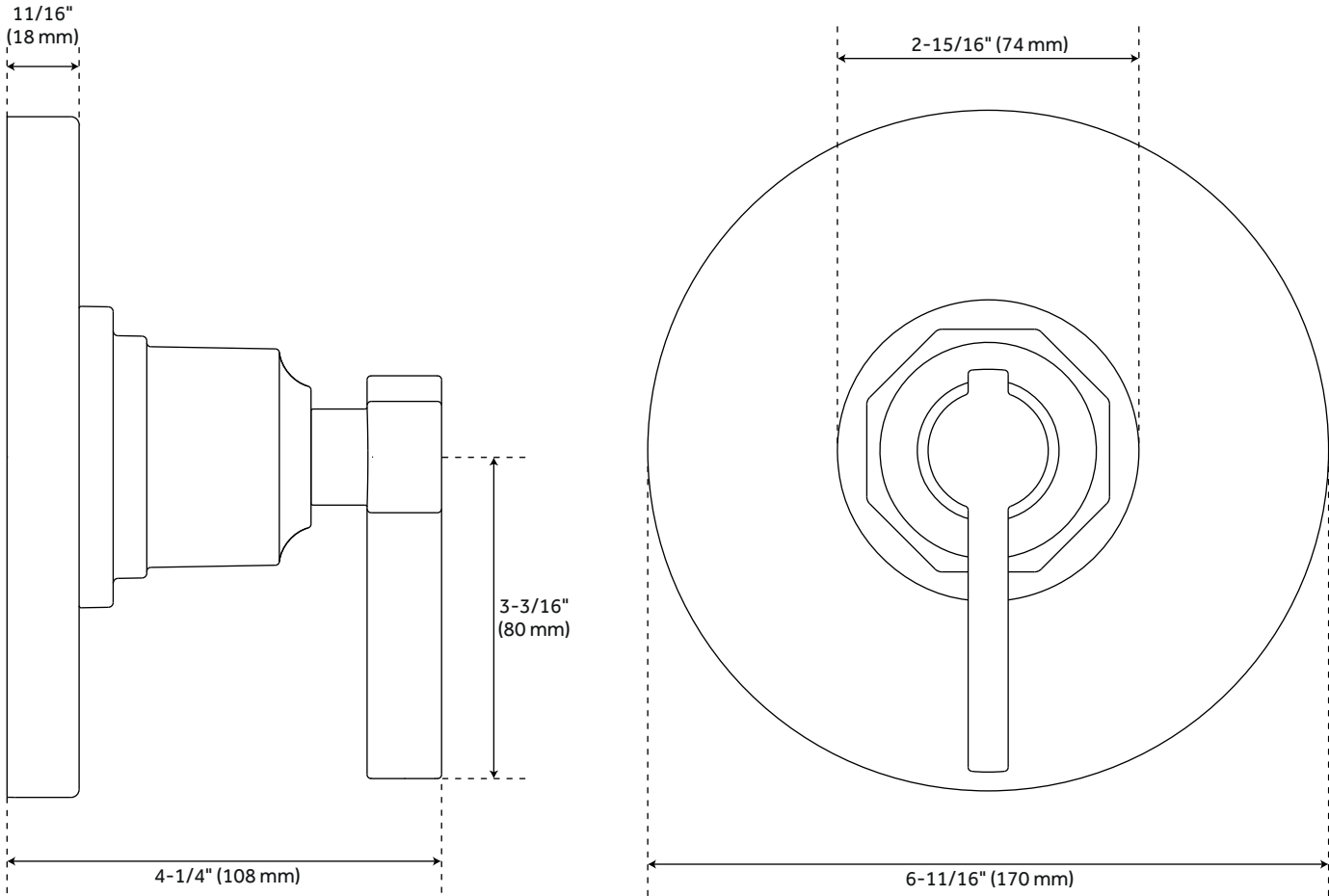
Greyfield Tub Spout with Diverter:

- 1/2" Slip-fit connection.

REVISED 1/15/2024

# GREYFIELD PRESSURE BALANCE SHOWER VALVE TRIM

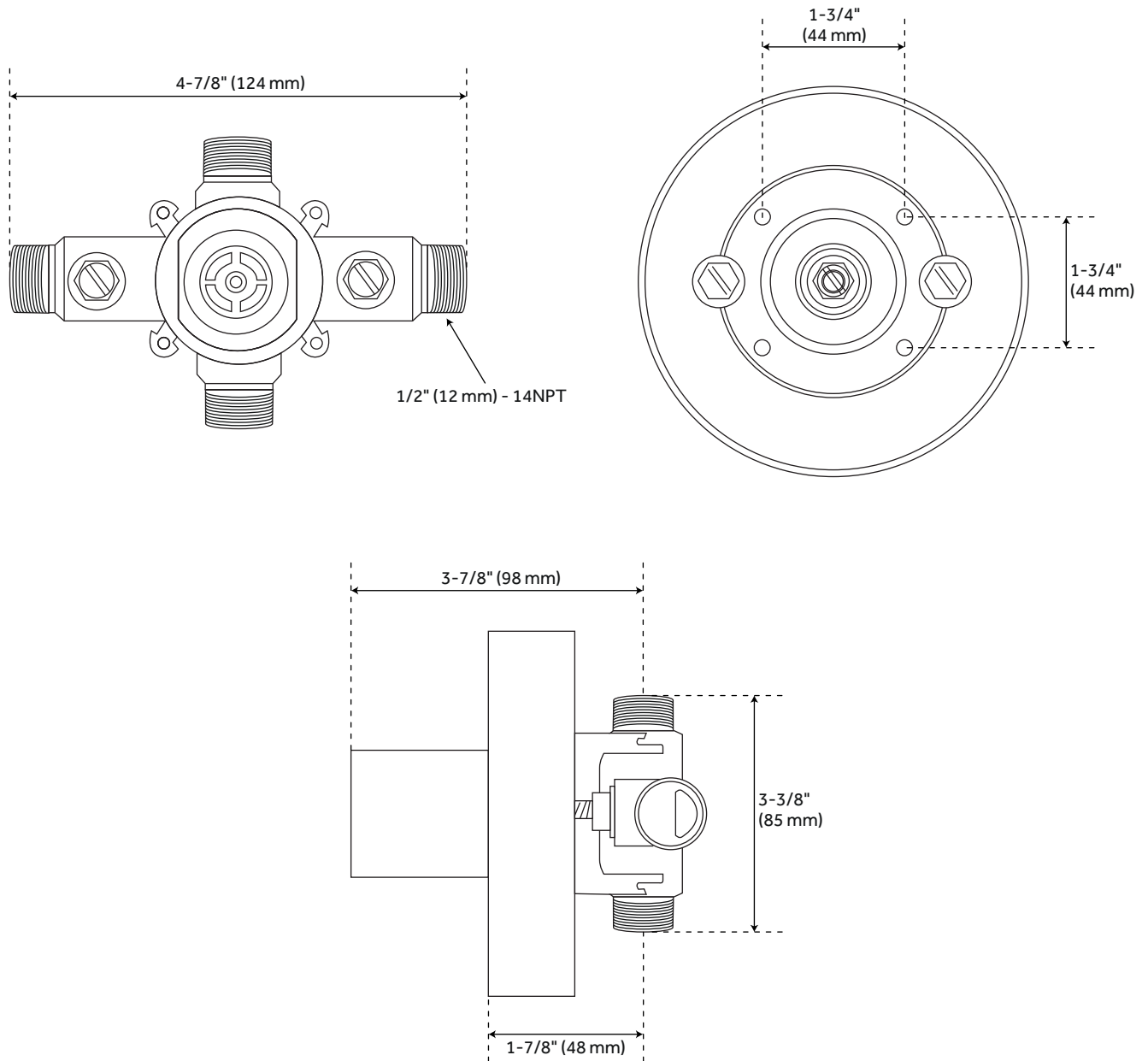
CODE: SHGF8010



All dimensions and specifications are nominal and may vary. Use actual products for accuracy in critical situations.

# GREYFIELD PRESSURE BALANCE TUB AND SHOWER ROUGH-IN VALVE

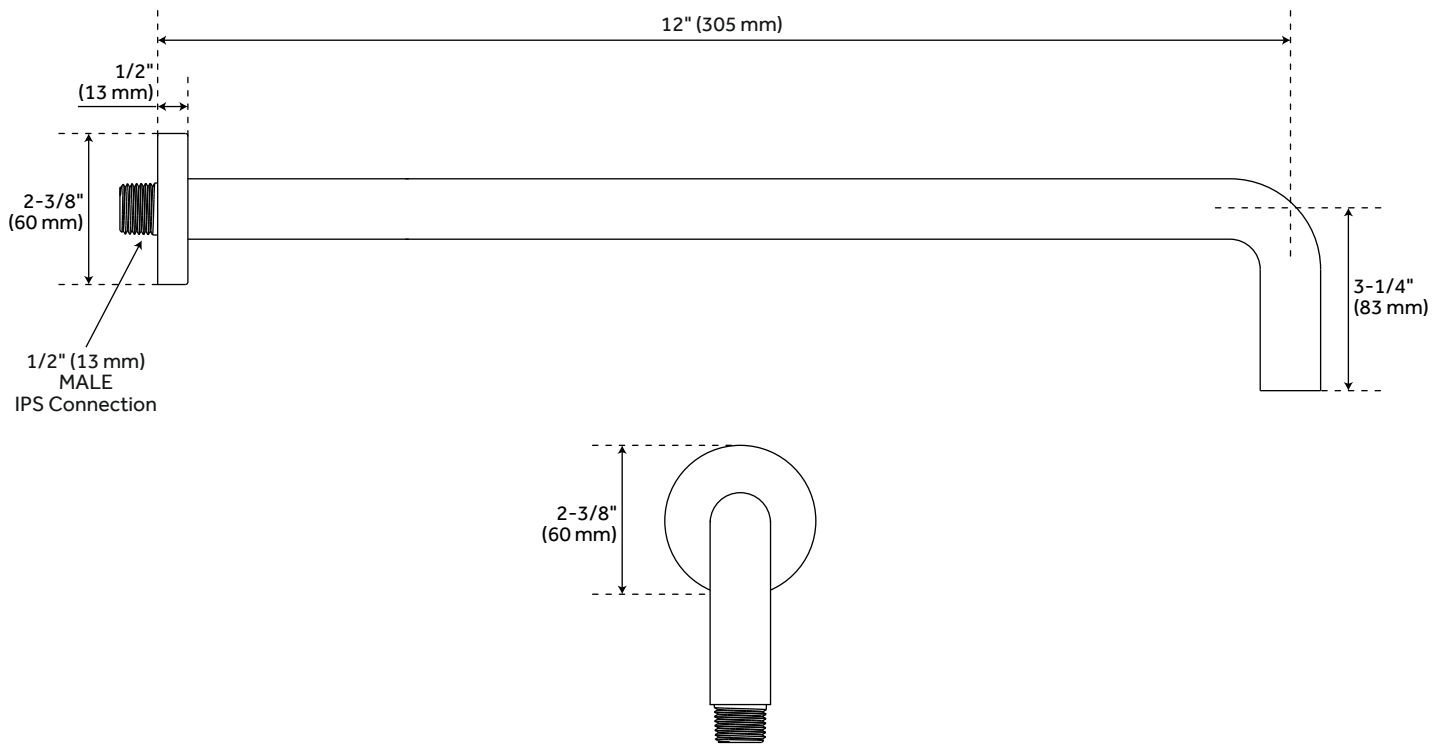
0UÖÖÄPI €€



All dimensions and specifications are nominal and may vary. Use actual products for accuracy in critical situations.

# GREYFIELD WALL-MOUNT SHOWER ARM

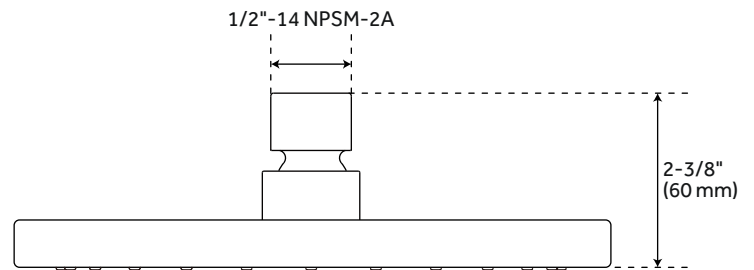
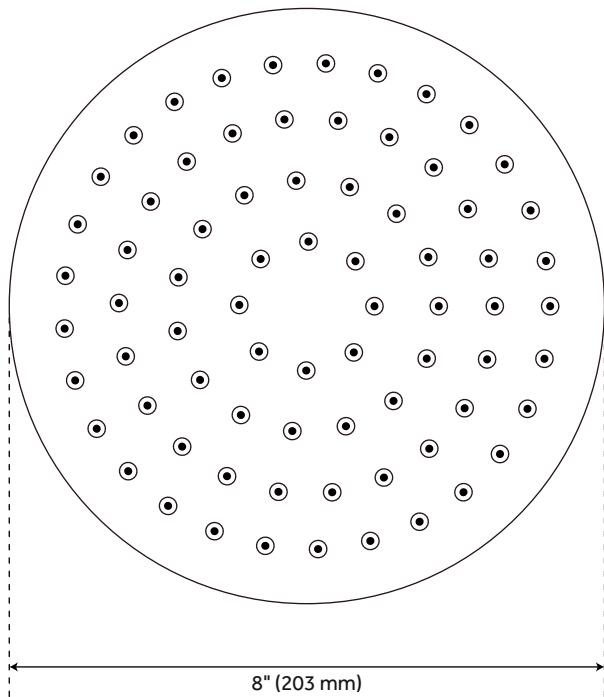
CODE: SHRSA123



All dimensions and specifications are nominal and may vary. Use actual products for accuracy in critical situations.

# GREYFIELD RAINFALL SHOWER HEAD

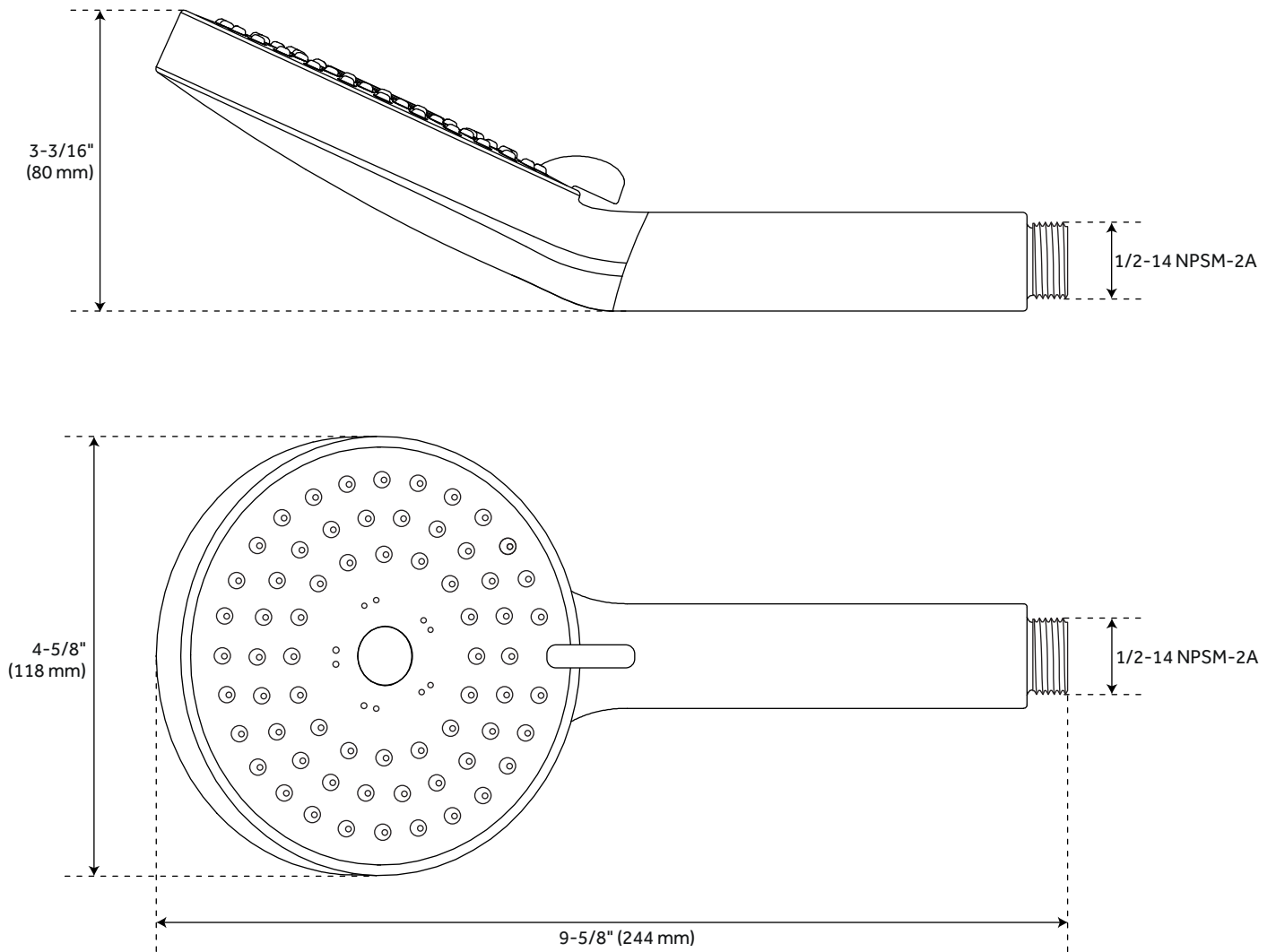
CODE: SHRSB820RG



All dimensions and specifications are nominal and may vary. Use actual products for accuracy in critical situations.

# GREYFIELD MULTIFUNCTION HAND SHOWER

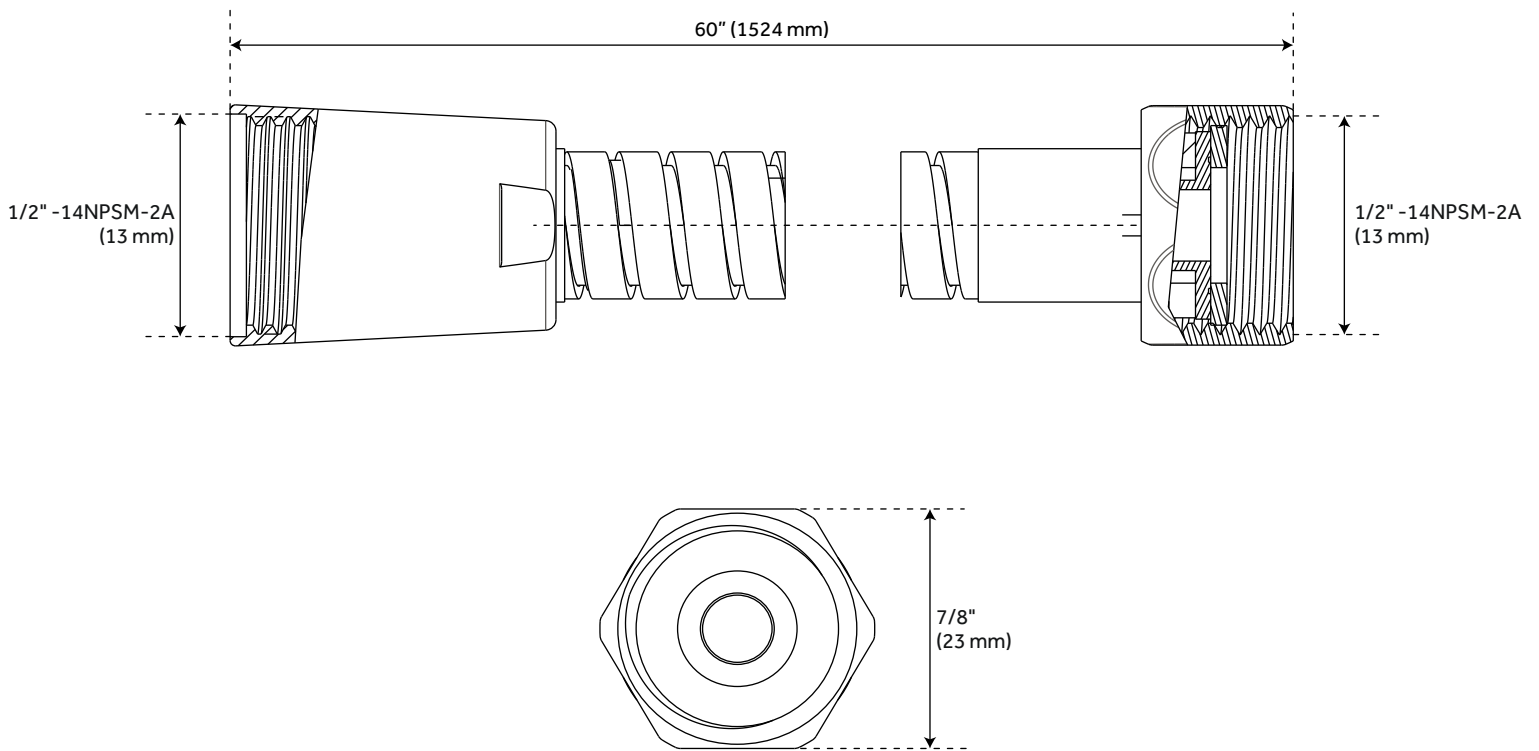
CODE: SHHS4110G



All dimensions and specifications are nominal and may vary. Use actual products for accuracy in critical situations.

# GREYFIELD HAND SHOWER HOSE

CODE: SHH1010

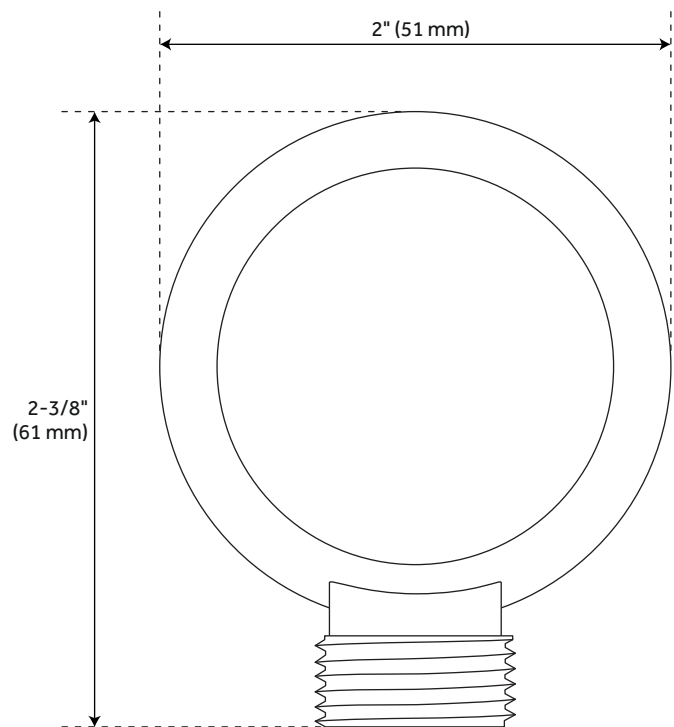
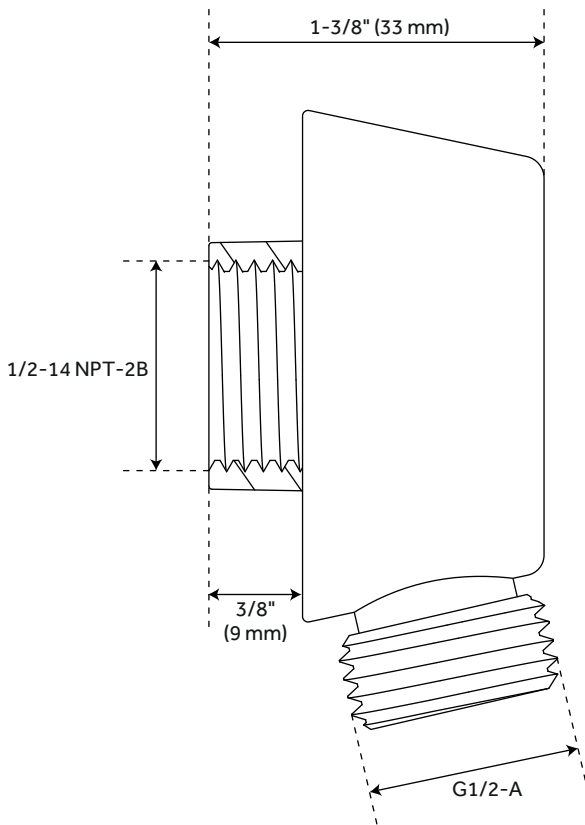


All dimensions and specifications are nominal and may vary. Use actual products for accuracy in critical situations.



# GREYFIELD WATER SUPPLY ELBOW

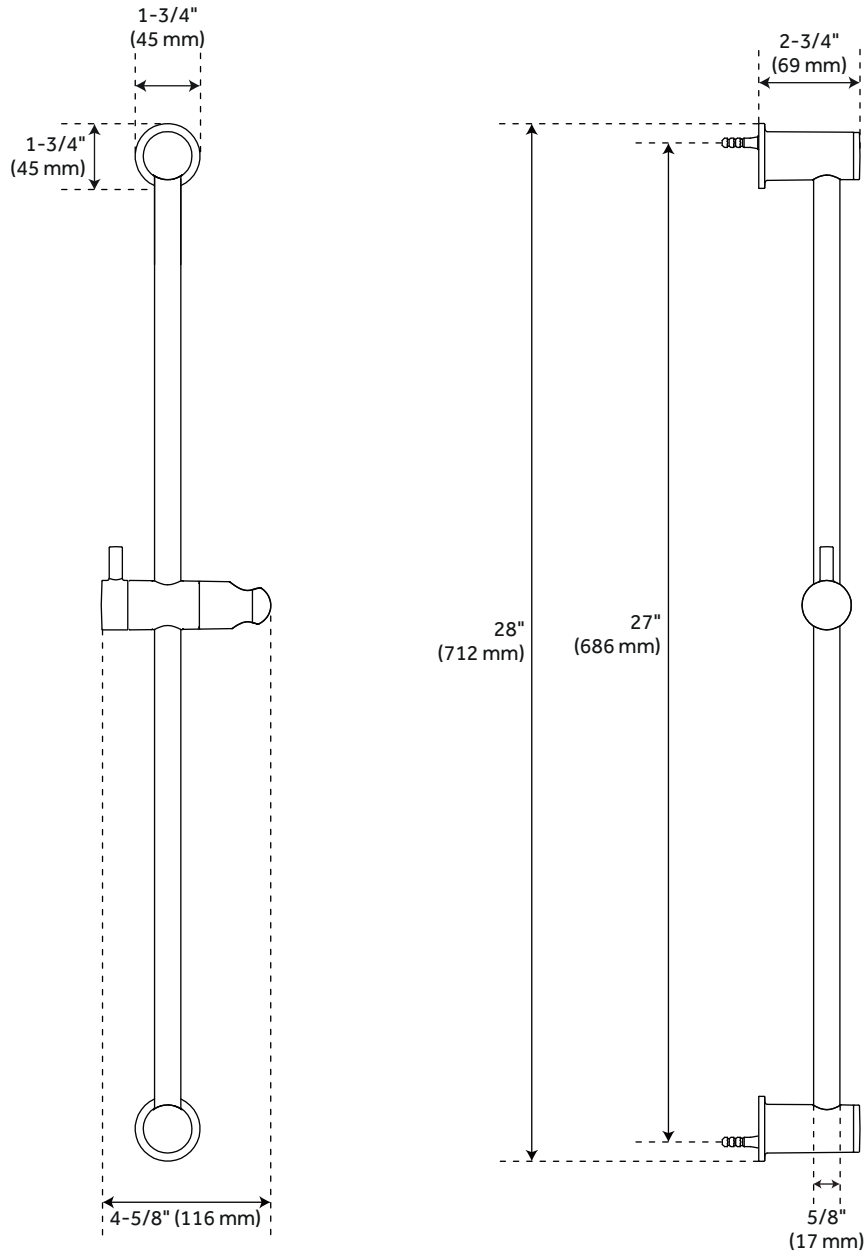
CODE: SHWE2040



All dimensions and specifications are nominal and may vary. Use actual products for accuracy in critical situations.

# GREYFIELD SLIDE BAR FOR HAND SHOWER

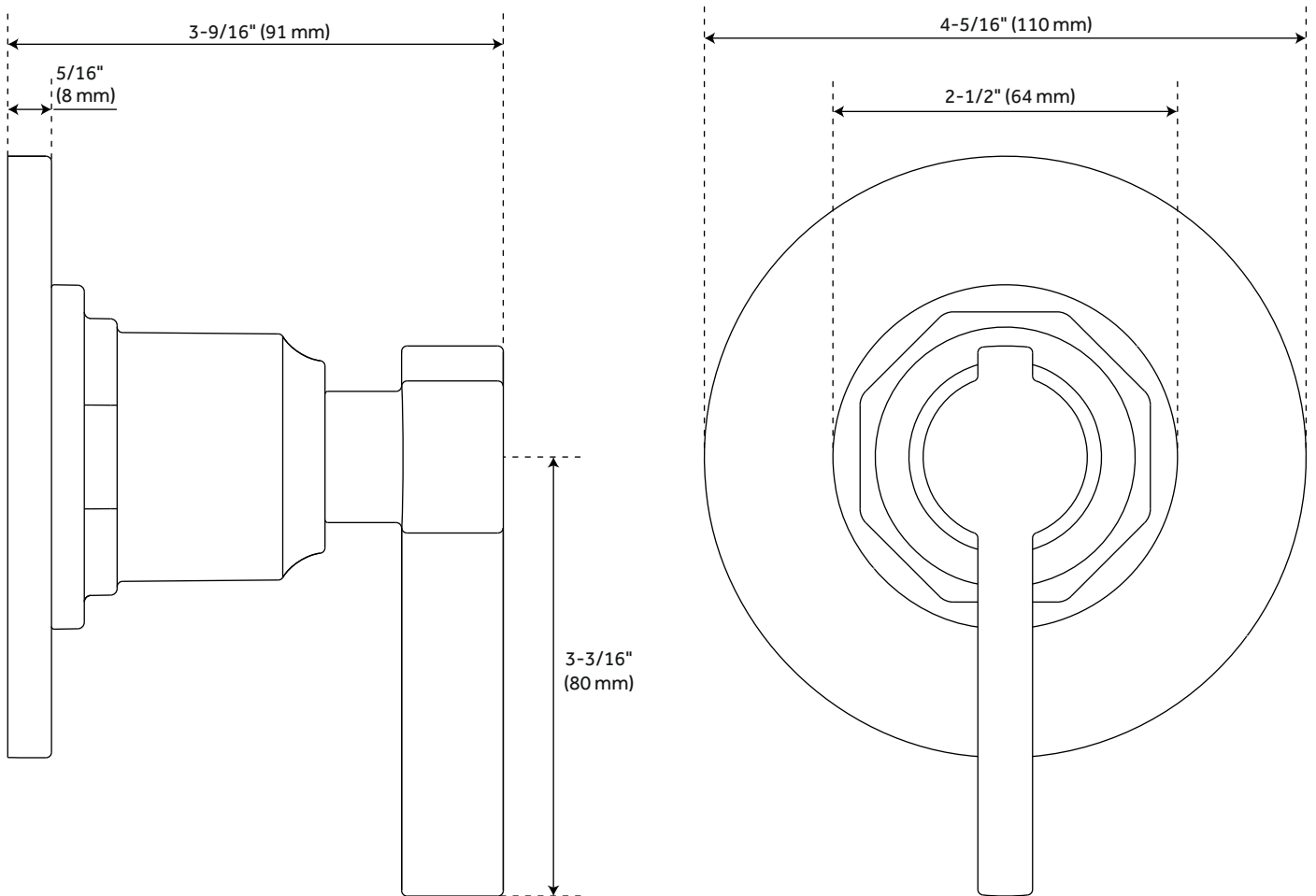
CODE: SHSB3040



All dimensions and specifications are nominal and may vary. Use actual products for accuracy in critical situations.

# GREYFIELD IN-WALL SHOWER DIVERTER

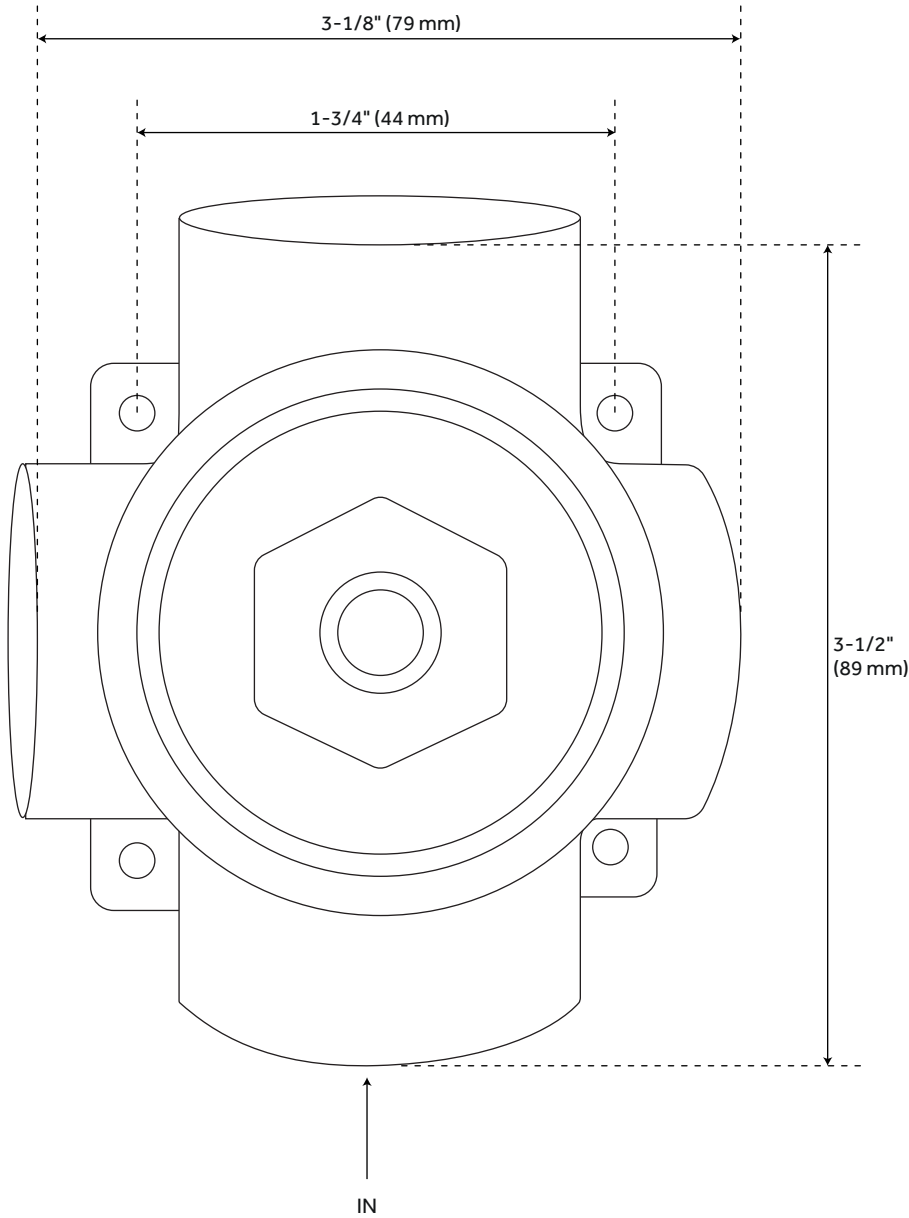
CODE: SHGF9005



All dimensions and specifications are nominal and may vary. Use actual products for accuracy in critical situations.

# GREYFIELD 3-WAY IN-WALL DIVERTER ROUGH-IN VALVE

CODE:SH6103



All dimensions and specifications are nominal and may vary. Use actual products for accuracy in critical situations.