

BEASLEY PRESSURE BALANCE SHOWER SYSTEM WITH HAND SHOWER

SKU: 953959

Code: SHBE80102, SH4001, SHRSA123, SHRSB820RG, SHHS4090G, SHH1010, SHWES2050, SHBE90052, SH6103



ASME A112.18.1/CSA B125.1

ASSE 1016 Type P

CEC Listed

WaterSense by IAPMO

Massachusetts Accepted

LISTED ID: SH4001, SH6103, SHH1010*, SHHS4090G*, SHRSB820RG*, SHWES2050xy, SHRSA123**, SHBE80102*, SHBE90052*



FEATURES

Installation Type: Wall Mount

Features: Pressure-Balanced, Rough-In Included

Design: Modern

Material: Metal,ABS

Mounting Hardware Included: Yes

Assembly Required: Yes

Shape: Round

Handle Type: Lever

NPT Connection: 1/2"

Body Sprays: No

Shower Head Installation Type: Wall

Number of Shower Heads: 1

Shower Head Spray: Single Function

Shower Head Length: 8"

Shower Head Width: 8"

Shower Arm Included: Yes

Shower Arm Extension: 12-3/8"

Shower Arm Height: 5-3/8"

Shower Head: 1/2" NPSM

Shower Head Swivel: Yes

Valve Trim Width: 7-1/4"

Valve Trim Height: 7-1/4"

Hand Shower Length: 9-1/8"

Hand Shower Hose Length: 60"

Hand Shower Material: ABS

Hand Shower Flow Rate: 1.8 gpm (6.8 L/min) @ 80 psi

Diverter Included: Yes

Diverter Outlets: 1

Shower Head Flow Rate: 1.8 gpm (6.8 L/min) @ 80 psi

Rainfall Shower Head Flow Rate: 1.8 gpm (6.8 L/min) @ 80 psi

Ceramic Disc Cartridges: Yes

REVISED 1/15/2024

BEASLEY PRESSURE BALANCE SHOWER SYSTEM WITH HAND SHOWER

SKU: 953959

Code: SHBE80102, SH4001, SHRSA123, SHRSB820RG, SHHS4090G, SHH1010, SHWES2050, SHBE90052, SH6103



ADDITIONAL FEATURES

Pressure Balance Shower Valve Trim:

- Metal lever handle.

Pressure Balance Tub & Shower Rough-In Valve:

- Pressure balance valve with integral stops.
- Cast bronze valve body.

12" Wall-Mount Rainfall Shower Arm:

- Solid brass construction.
- Escutcheon included.

8" Modern Round Rainfall Shower Head - 1.8 GPM:

- Single function shower head (full spray),
- Hand Shower:
- 3 function hand shower (full spray, massage spray, full & massage spray).
- Factory installed backflow prevention check valve.

60" Stretchable Metal Hand Shower Hose:

- Double spiral constructed hose.

Swivel Water Supply Elbow and Bracket for Hand Shower:

- 1/2" Female wall connection.
- 1/2" Male hose connection.
- Brass inlet/outlet, ABS body.

In-Wall Shower Diverter Trim:

- Metal handle.
- Metal Escutcheon.

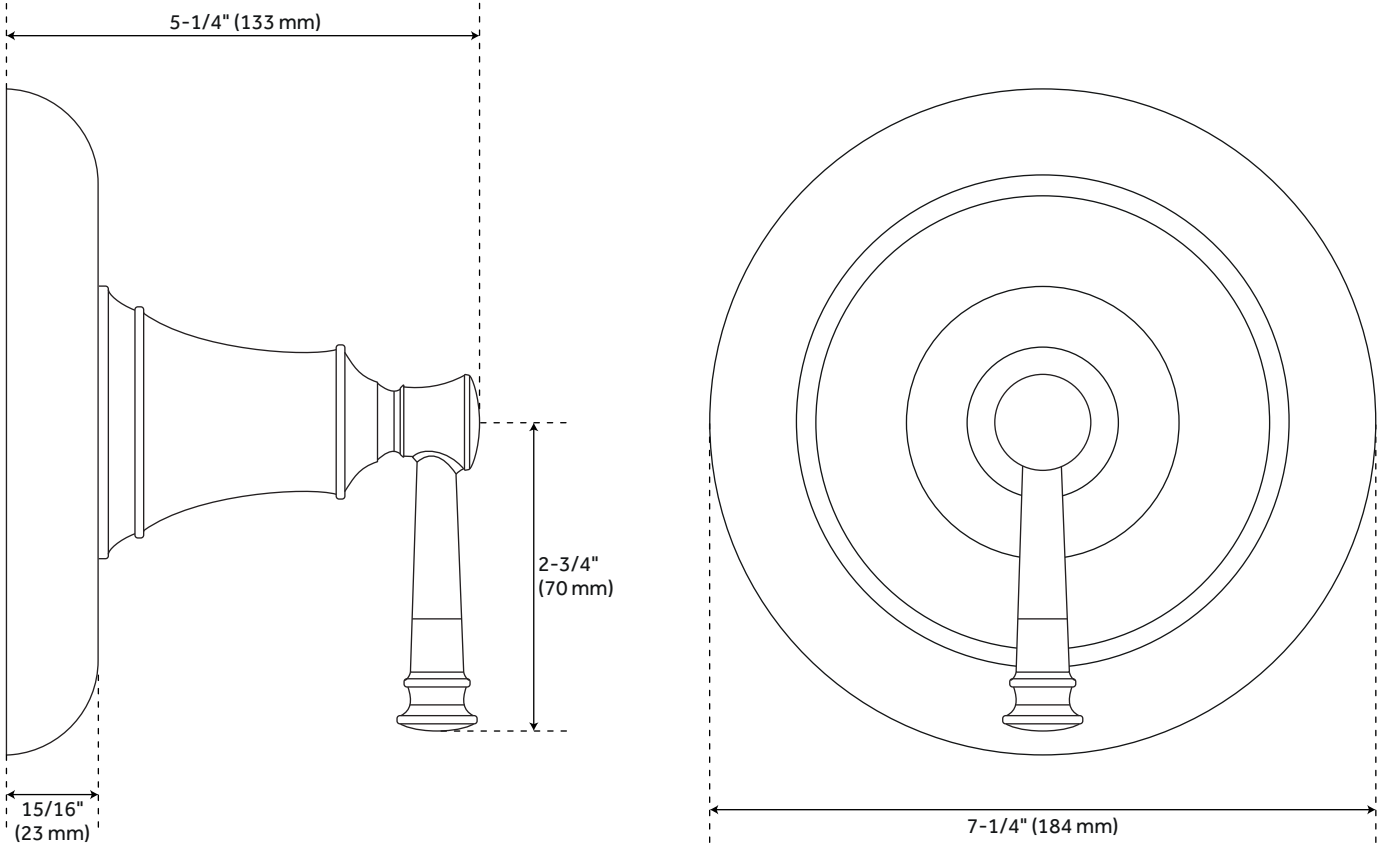
3-Way In-Wall Diverter Rough-In Valve - 3/4":

- For installations only requiring 2 outlets, the 3rd outlet may be looped into one of the existing pipes.

REVISED 1/15/2024

BEASLEY PRESSURE BALANCE SHOWER VALVE TRIM

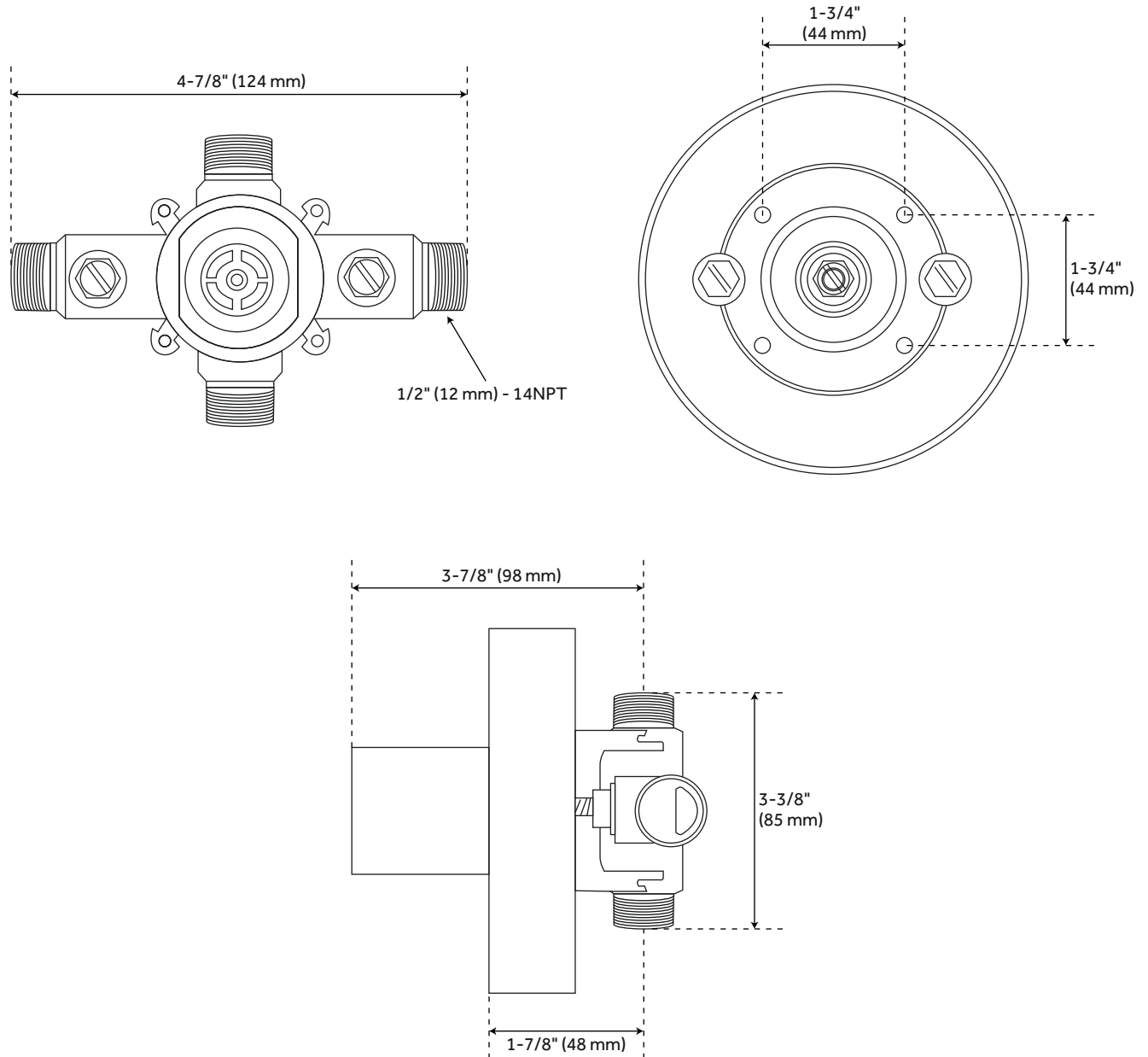
CODE: SHBE80102



All dimensions and specifications are nominal and may vary. Use actual products for accuracy in critical situations.

PRESSURE BALANCE TUB AND SHOWER ROUGH-IN VALVE

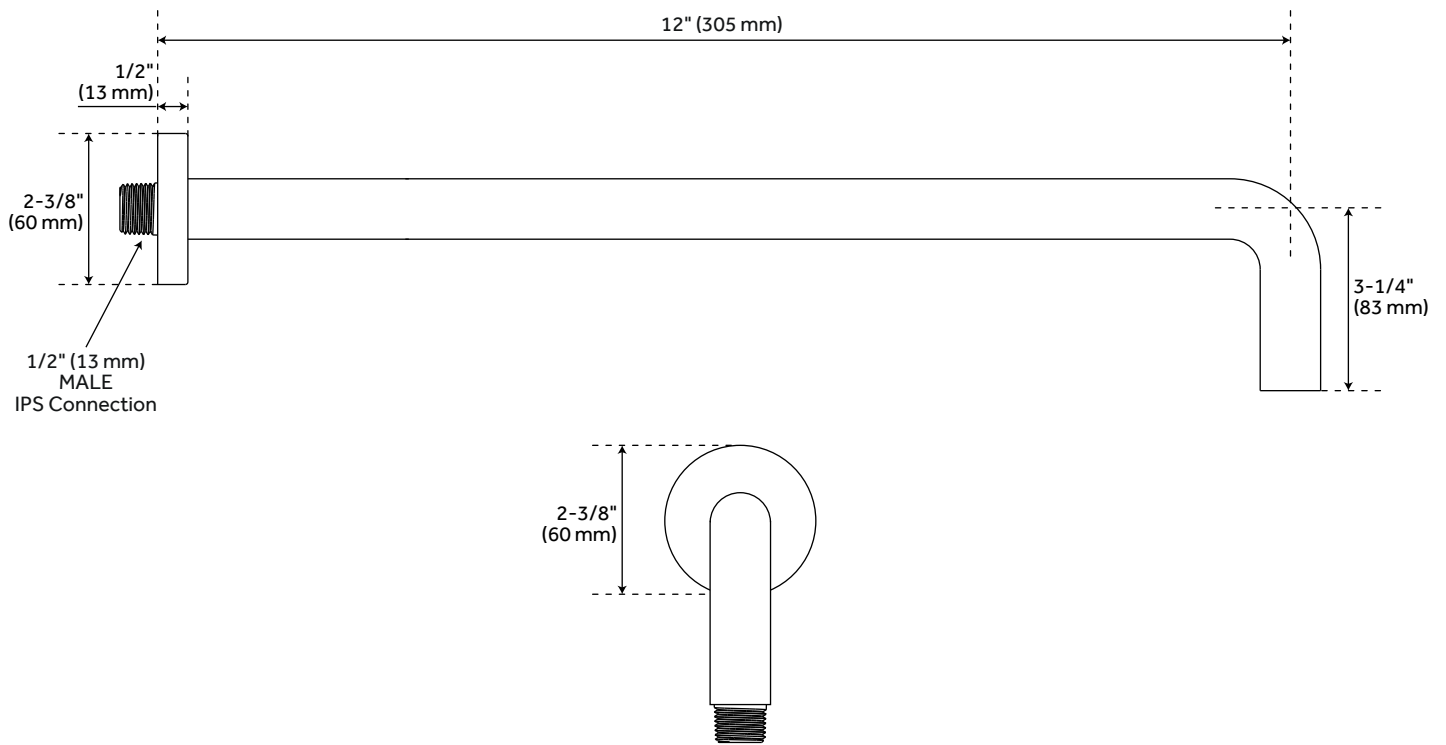
CODE: SH4001



All dimensions and specifications are nominal and may vary. Use actual products for accuracy in critical situations.

BEASLEY WALL-MOUNT SHOWER ARM

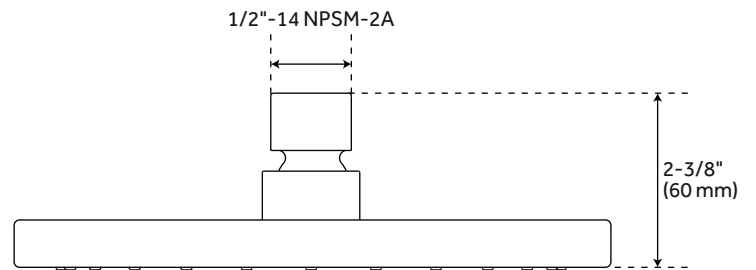
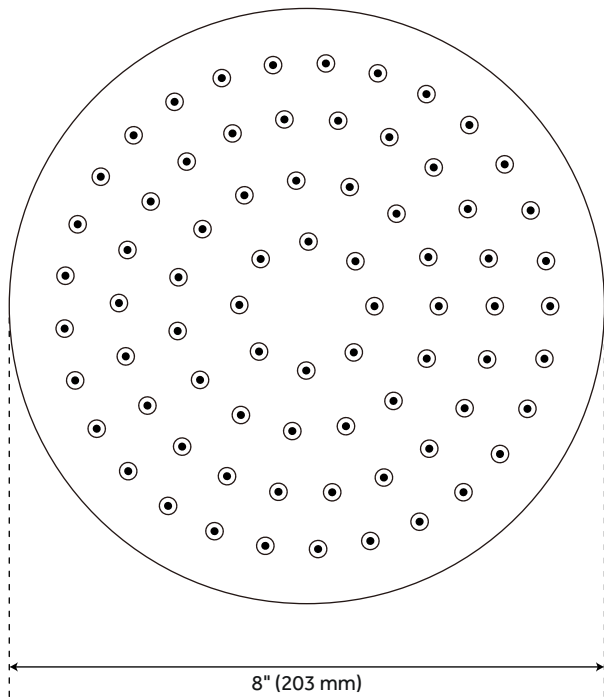
CODE: SHRSA123



All dimensions and specifications are nominal and may vary. Use actual products for accuracy in critical situations.

BEASLEY RAINFALL SHOWER HEAD

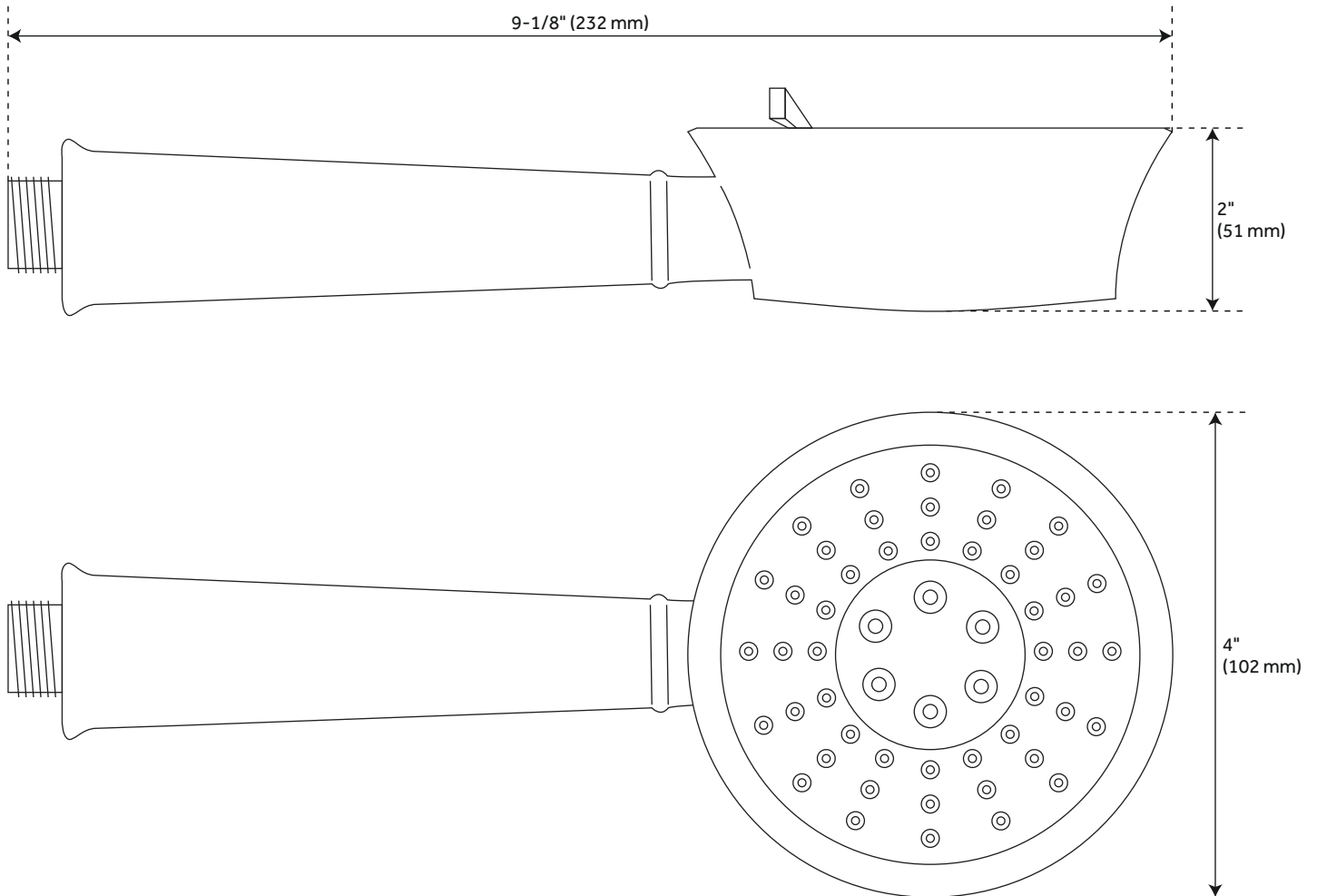
CODE: SHRSB820RG



All dimensions and specifications are nominal and may vary. Use actual products for accuracy in critical situations.

BEASLEY HAND SHOWER

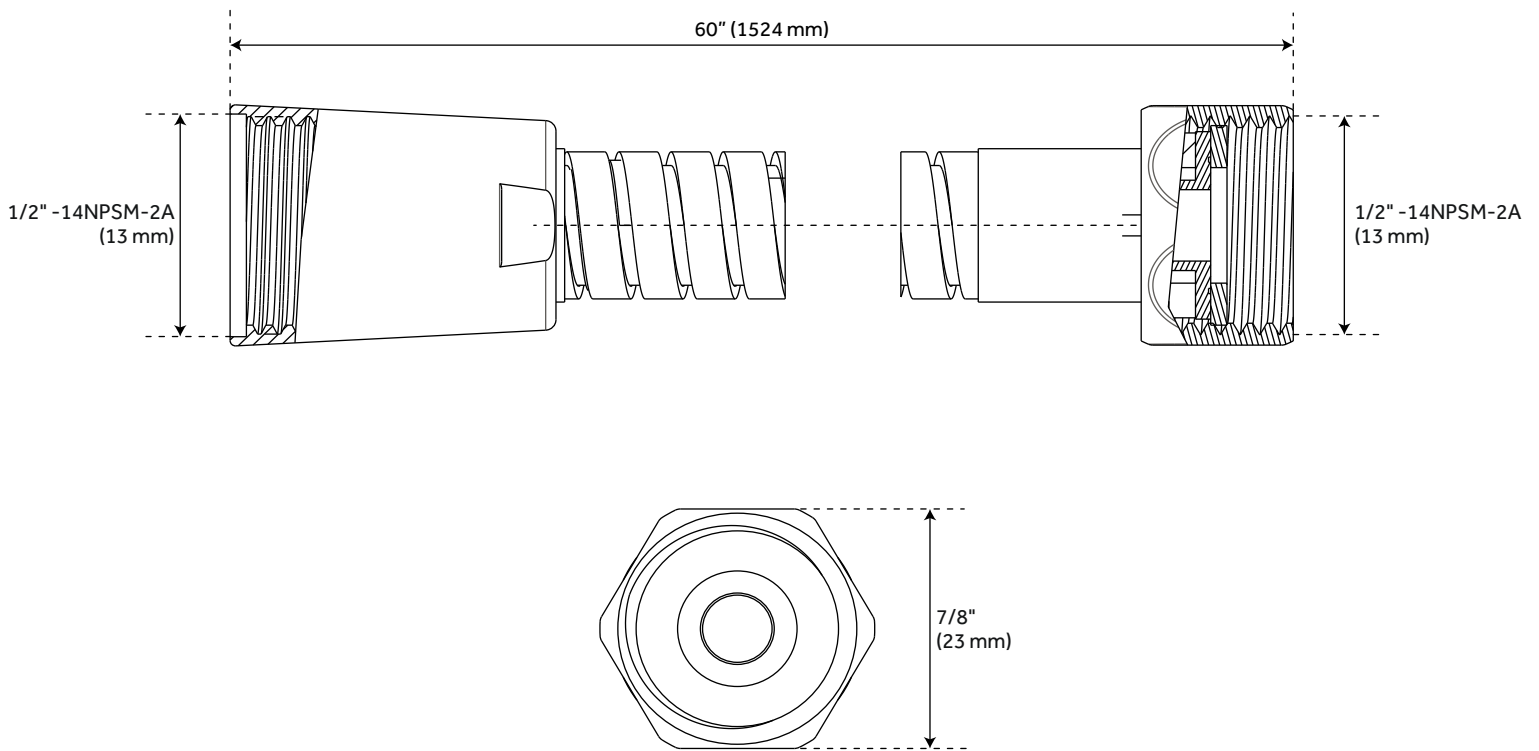
CODE: SHHS4090G



All dimensions and specifications are nominal and may vary. Use actual products for accuracy in critical situations.

BEASLEY HAND SHOWER HOSE

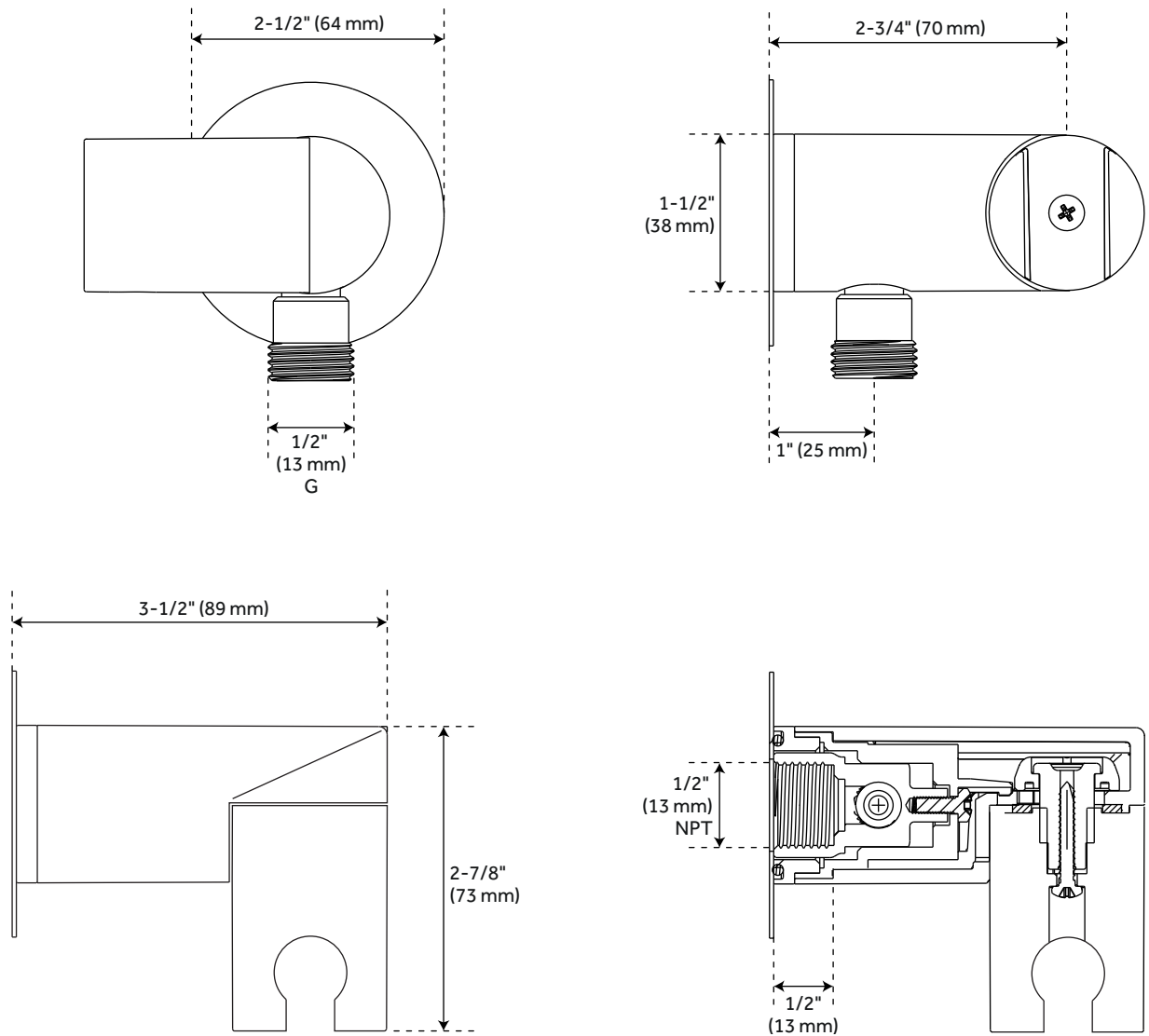
CODE: SHH1010



All dimensions and specifications are nominal and may vary. Use actual products for accuracy in critical situations.

SWIVEL WATER SUPPLY ELBOW AND BRACKET FOR HAND SHOWER

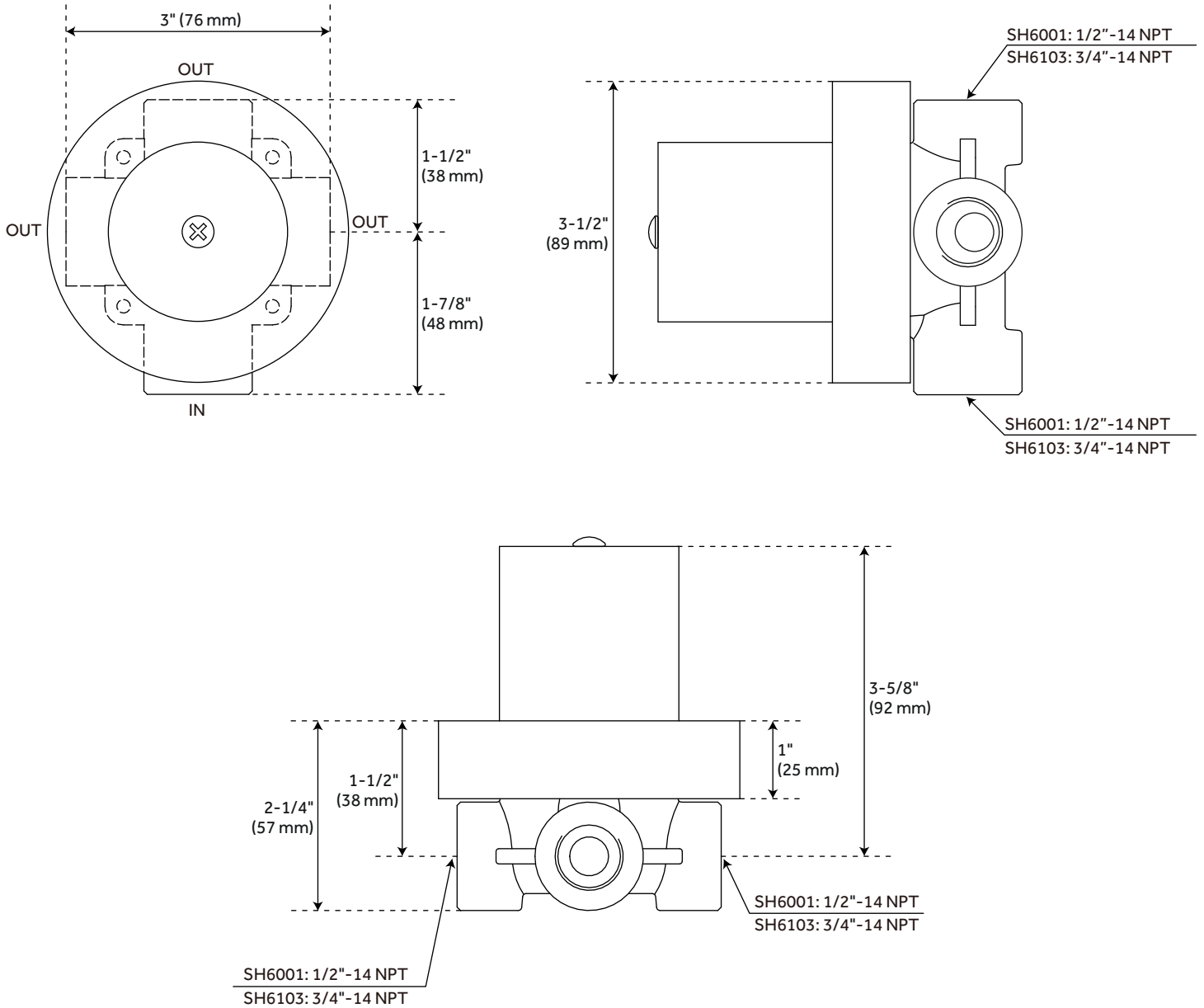
CODE: SHWES2050



All dimensions and specifications are nominal and may vary. Use actual products for accuracy in critical situations.

BEASLEY OPTIONAL 3-WAY IN-WALL DIVERTER ROUGH-IN VALVE

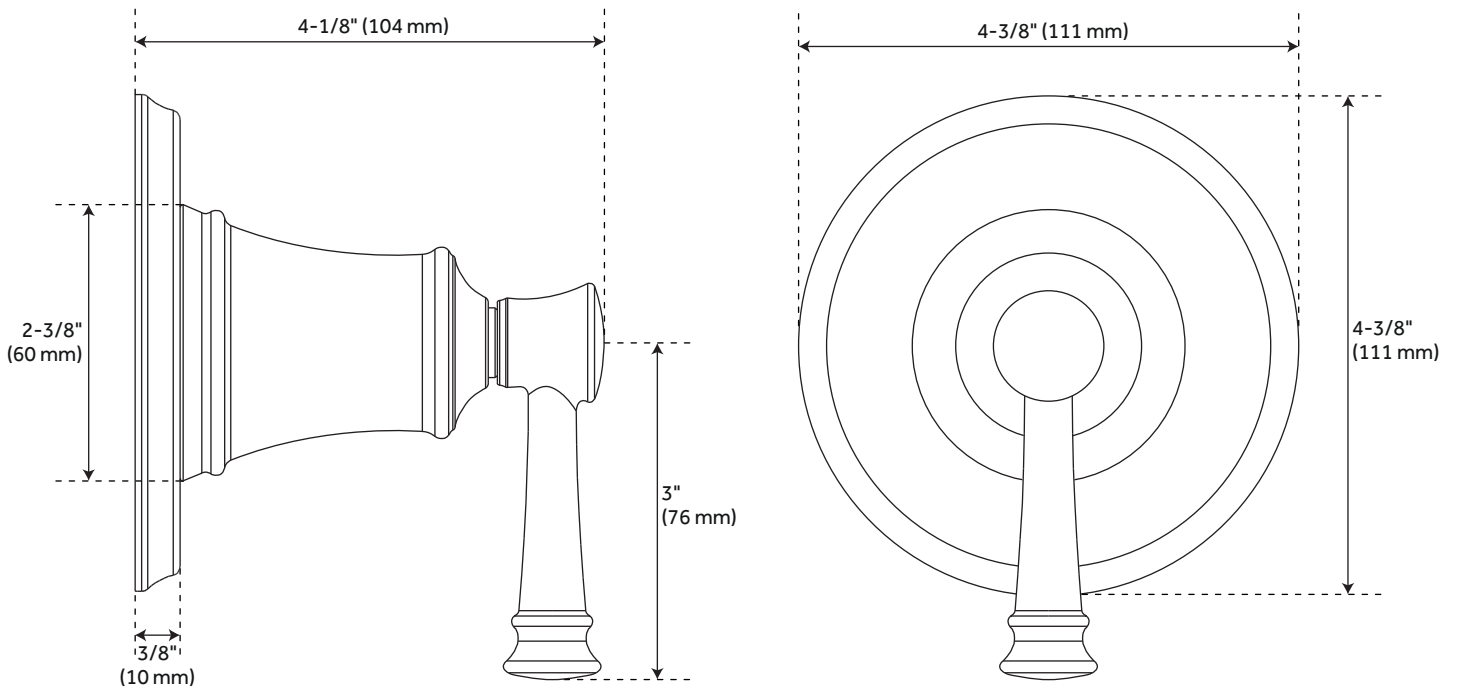
CODE: SH6103



All dimensions and specifications are nominal and may vary. Use actual products for accuracy in critical situations.

BEASLEY IN-WALL SHOWER DIVERTER

CODE: SHBE90052



All dimensions and specifications are nominal and may vary. Use actual products for accuracy in critical situations.