

BEASLEY PRESSURE BALANCE SYSTEM

SKU: 953956

Code: SHBE80102, SH4001, SHRSA123, SHRSB820RG



FEATURES

Installation Type: Wall Mount
Features: Pressure-Balanced, Rough-In Included
Design: Modern
Material: Metal
Mounting Hardware Included: Yes
Assembly Required: Yes
Shape: Round
Handle Type: Lever
NPT Connection: 1/2"
Body Sprays: No
Shower Head Installation Type: Wall
Number of Shower Heads: 1
Shower Head Spray: Single Function
Shower Head Length: 8"
Shower Head Width: 8"
Shower Arm Included: Yes
Shower Arm Extension: 12-3/8"
Shower Arm Height: 5-3/8"
Shower Head 1/2" NPSM
Shower Head Swivel: Yes
Valve Trim Width: 7-1/4"
Valve Trim Height: 7-1/4"
Diverter Included: Yes
Diverter Outlets: 1
Shower Head Flow Rate: 1.8 gpm (6.8 L/min) @ 80 psi
Rainfall Shower Head Flow Rate: 1.8 gpm (6.8 L/min) @ 80 psi
Ceramic Disc Cartridges: Yes

ASME A112.18.1/CSA B125.1

ASSE 1016 Type P

CEC Listed

WaterSense by IAPMO

Massachusetts Accepted

LISTED ID: SH4001, SHRSB820RG*, SHRSA123**,
SHBE80102*



REVISED 1/15/2024

BEASLEY PRESSURE BALANCE SYSTEM

SKU: 953956

Code: SHBE80102, SH4001, SHRSA123, SHRSB820RG



ADDITIONAL FEATURES

Pressure Balance Shower Valve Trim:

- Metal lever handle.

Pressure Balance Tub & Shower Rough-In Valve:

- Pressure balance valve with integral stops.
- Ceramic disc valve cartridge.
- Cast bronze valve body.

12" Wall-Mount Rainfall Shower Arm

- Solid brass construction.
- Escutcheon included.

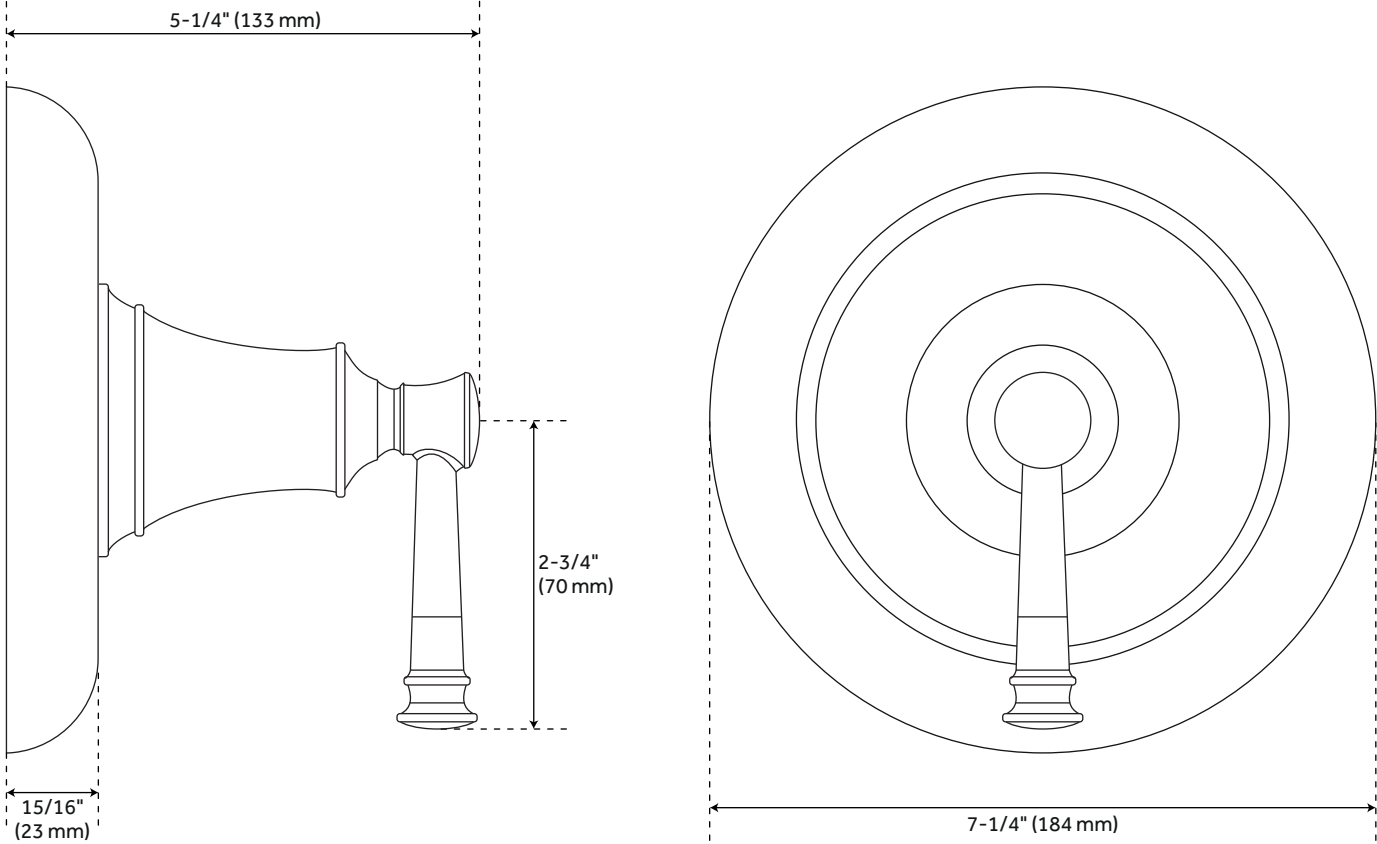
8" Modern Round Rainfall Shower Head - 1.8 GPM:

- Single function shower head (full spray).
- Brass ball joint.

REVISED 1/15/2024

BEASLEY PRESSURE BALANCE SHOWER VALVE TRIM

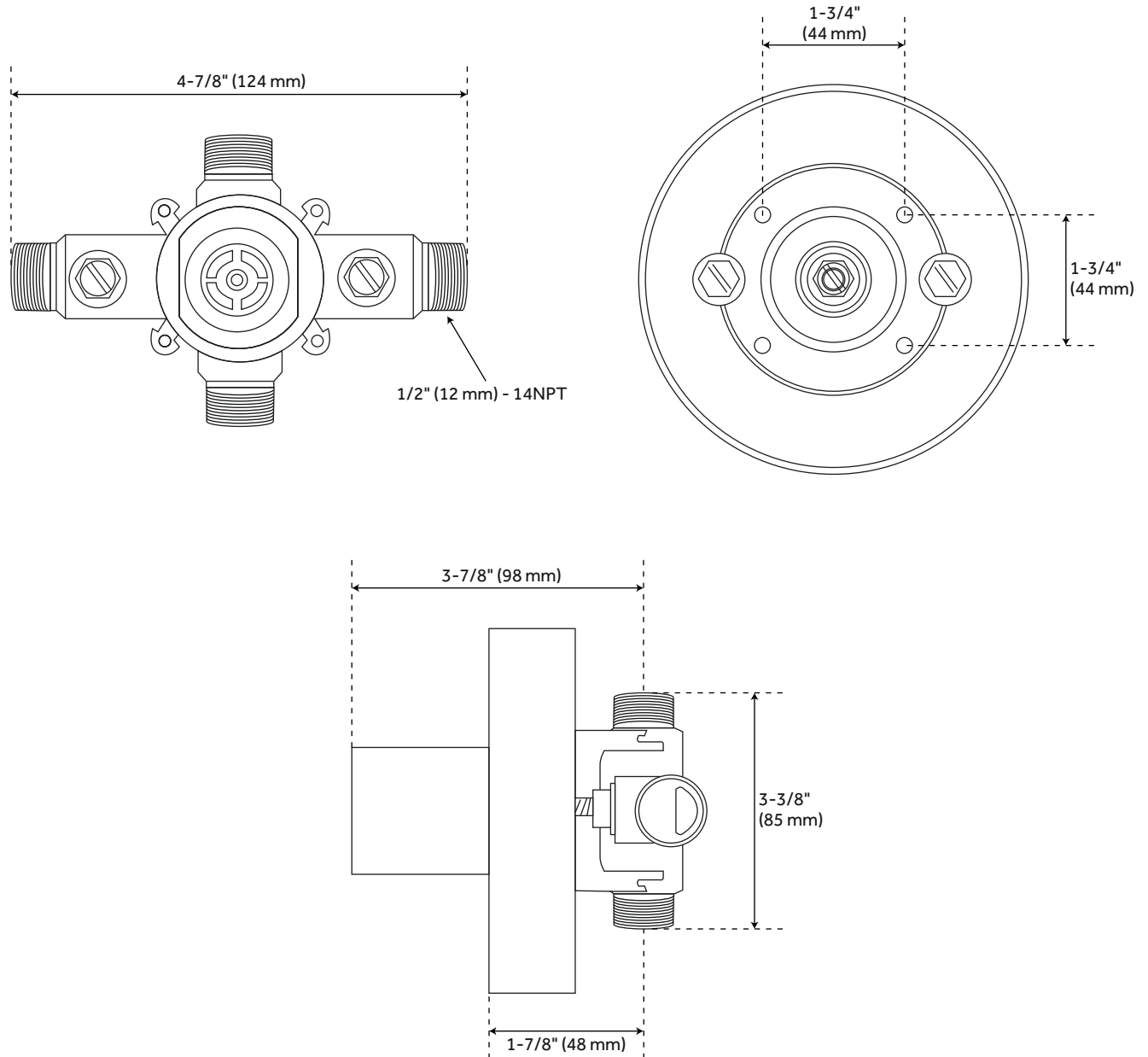
CODE: SHBE80102



All dimensions and specifications are nominal and may vary. Use actual products for accuracy in critical situations.

PRESSURE BALANCE TUB AND SHOWER ROUGH-IN VALVE

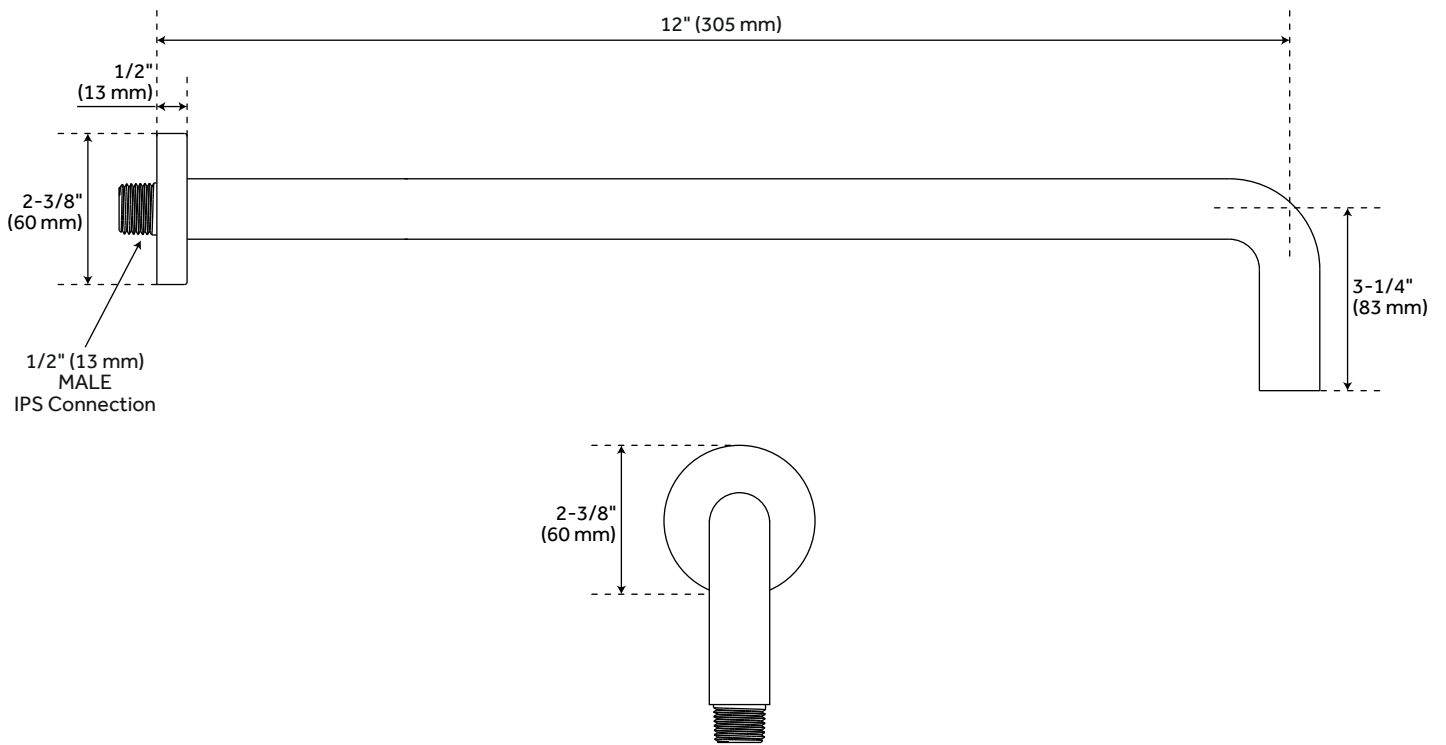
CODE: SH4001



All dimensions and specifications are nominal and may vary. Use actual products for accuracy in critical situations.

BEASLEY WALL-MOUNT SHOWER ARM

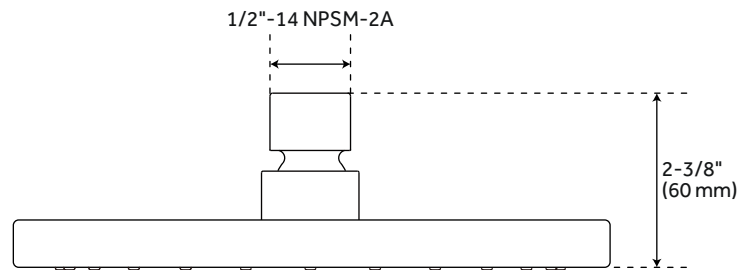
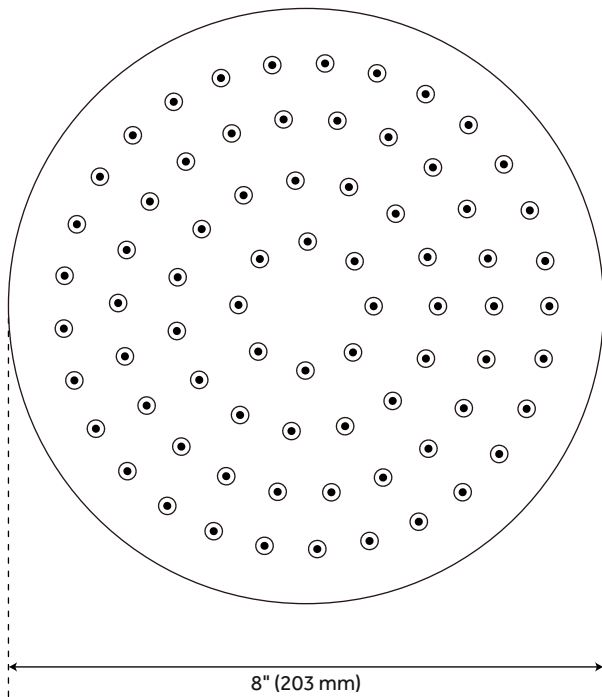
CODE: SHRSA123PN



All dimensions and specifications are nominal and may vary. Use actual products for accuracy in critical situations.

BEASLEY RAINFALL SHOWERHEAD-1.8 GPM

CODE:SHRSB820RG



All dimensions and specifications are nominal and may vary. Use actual products for accuracy in critical situations.