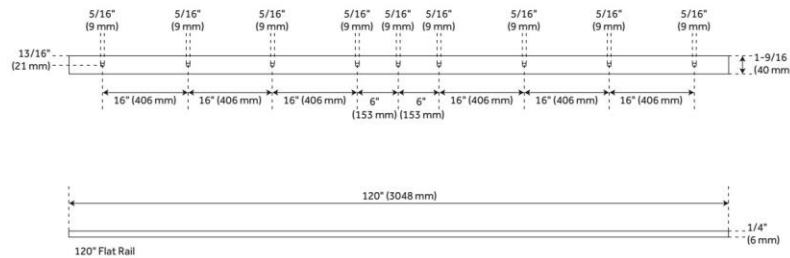


120" HAL BARN DOOR HARDWARE KIT

SKU: 950666

Code: HBD5000X120, HBD5911



FEATURES

Material: Steel

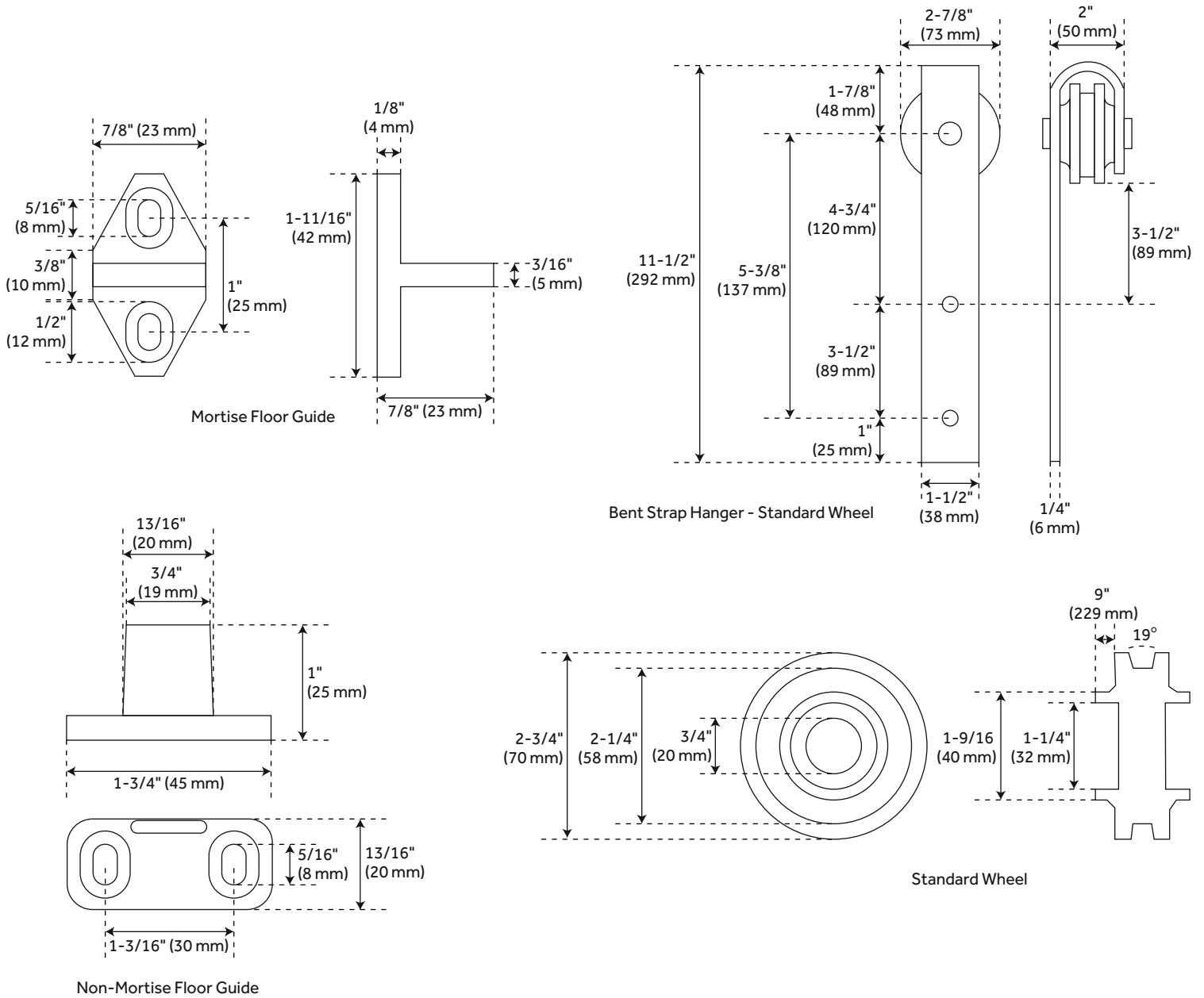
ADDITIONAL FEATURES

- Brushed nickel, oil rubbed bronze, black, and champagne brass finishes are made of steel. Stainless steel finish is made of stainless steel.
- For doors up to 60" wide.
- Optional Soft Close Adapter:
 - Door weight needs to be 66-132 lbs and not exceeding 176 lbs for the soft-close function to work properly.
 - For use with flat rails.
 - Keeps door from slamming when opening and closing.
 - Low profile soft close adapter left /right hand.
 - Low profile soft close trigger . Trigger screws. Cone-point set screws.
 - Width: 12-11/16". Depth: 1-1/4". Height: 1-1/8".

REVISED 9/4/2024

120" HAL BARN DOOR HARDWARE KIT

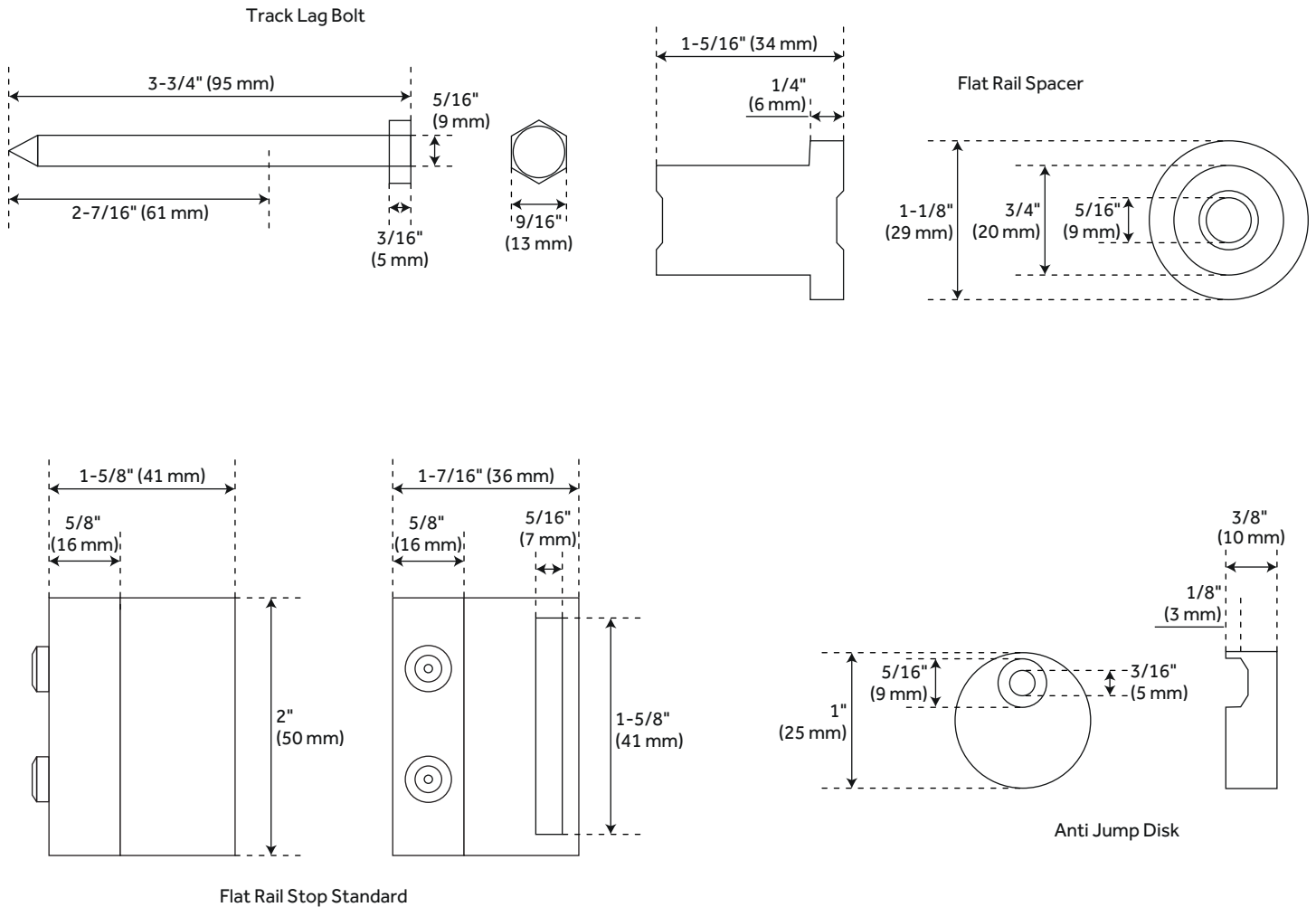
SKU: 950666



All dimensions and specifications are nominal and may vary. Use actual products for accuracy in critical situations.

120" HAL BARN DOOR HARDWARE KIT

SKU: 950666



All dimensions and specifications are nominal and may vary. Use actual products for accuracy in critical situations.