

# VILAMONTE PRESSURE BALANCE SHOWER SYSTEM WITH SLIDE BAR AND HAND SHOWER

SKU: 953935

Code: SHSB3050BN,SH4001,SH6103,SHWE2020Z,SHH1010Z,SHVL8020GZ,SHVL9005Z,SHHS4080GZ



## FEATURES

- Material: Metal
- Shower Head Swivel: Yes
- Hand Shower Spray: Full
- Hand Shower Flow Rate: 1.8 gpm (6.8 L/min) @ 80 psi
- Connection Type: 1/2" MIP and SWT
- Diverter Outlets: 3
- Cartridge Type: Ceramic Disc

ASME A112.18.1/CSA B125.1, ASME A112.18.2/CSA B125.2, ASSE 1016 Type P, CEC Listed, WaterSense by IAPMO, Massachusetts Accepted, LISTED ID: SH4001, SH6103, SHHS4080G\*, SHH1010\*, SHVL8020G\*, SHVL9005\*, SHWE2020\*



## ADDITIONAL FEATURES

Pressure Balance Tub & Shower Rough-In Valve:

- Pressure balance valve with integral stops.
- One-piece cartridge design for ease of maintenance.
- Back-to-back capability.
- Cast bronze valve body.
- Adjustable temperature limit stop.

3-Way In-Wall Diverter Rough-In Valve - 3/4":

- Six total settings allow for shared water flow between outlets, giving you the ability to use two functions at once.
- Single-Function.
- Diverter Valve Cartridge restricts water flow to one outlet at a time.
- For installations only requiring 2 outlets, the 3rd outlet may be looped into one of the existing pipes.

Contemporary Square Water Supply Elbow for Hand Shower:

- 1/2" Female wall connection.
- 1/2" Male hose connection.

REVISED 6/2/2024

# VILAMONTE PRESSURE BALANCE SHOWER SET

SKU: 948668

Code: SHVL8020, SHVL8020G, SH4001



## FEATURES

Material: Metal

Shower Head Swivel: Yes

Connection Type: 1/2" MIP and SWT

Cartridge Type: Ceramic Disc

ASME A112.18.1/CSA B125.1, ASSE 1016 Type P, CEC Listed, WaterSense by IAPMO, Massachusetts Accepted, LISTED ID: SHVL8020G\*, SH4001

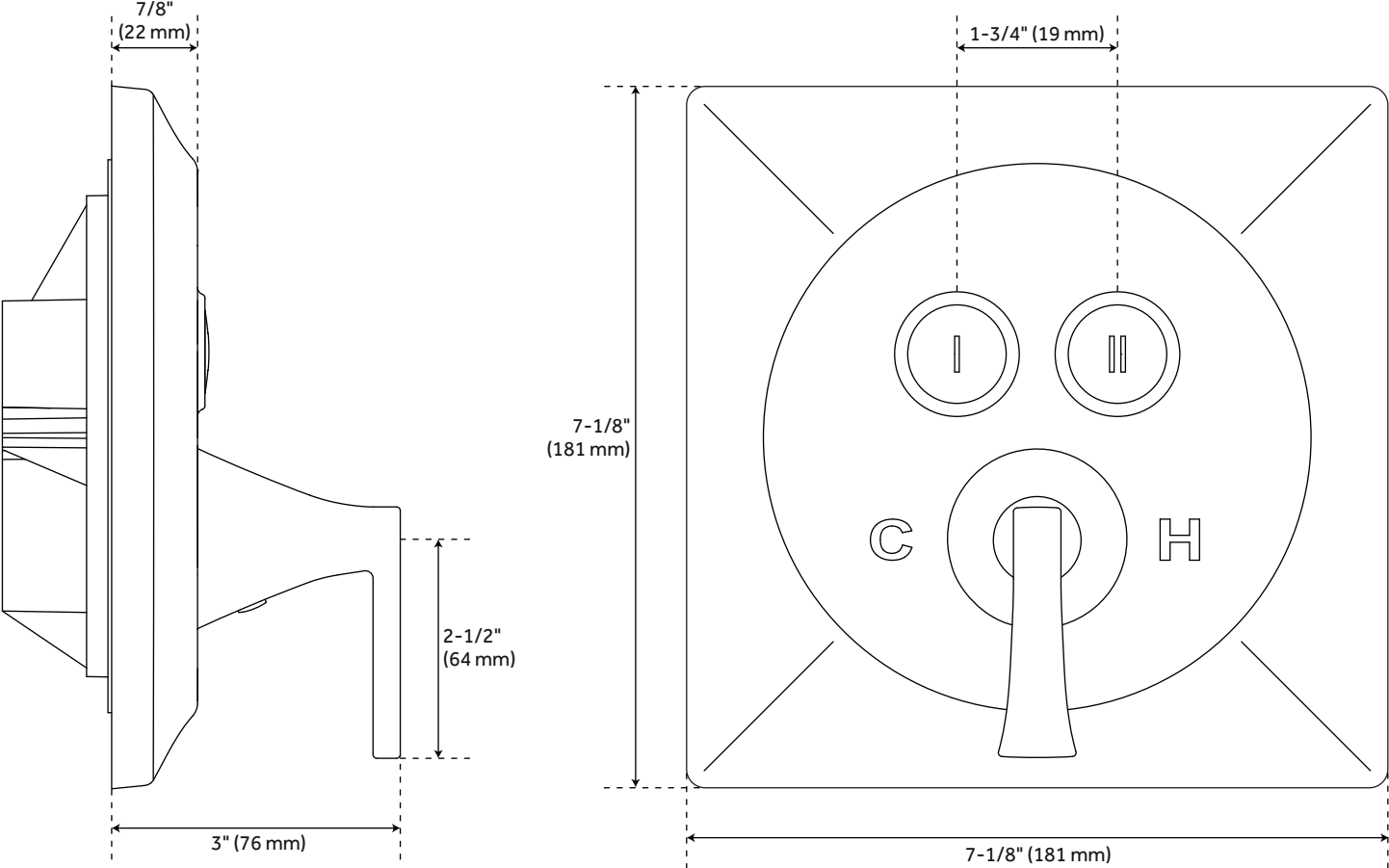


## ADDITIONAL FEATURES

- Metal handle.
- Optional Rough-in Valve:
  - Pressure balance valve with integral stops.
  - One-piece cartridge design for ease of maintenance.
  - Back-to-back capability.
  - Ceramic disc valve cartridge.
  - Cast bronze valve body.
  - Adjustable temperature limit stop.
  - Quick remove plaster guard.
  - Easy mounting brackets.

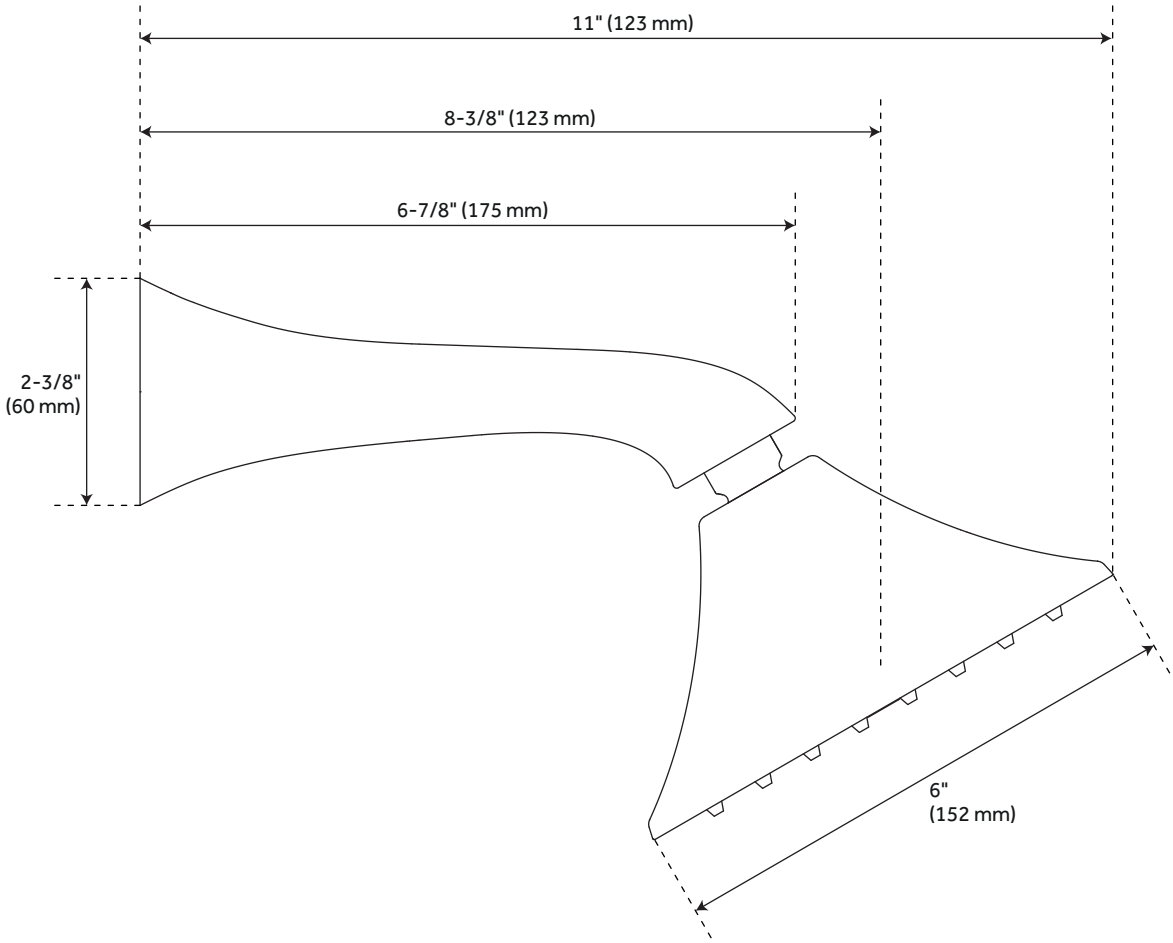
REVISED 5/30/2024

# VALMONTE PRESSURE BALANCE SHOWER VALVE



All dimensions and specifications are nominal and may vary. Use actual products for accuracy in critical situations.

# VALMONTE WALL-MOUNT SHOWER HEAD



All dimensions and specifications are nominal and may vary. Use actual products for accuracy in critical situations.

# PRESSURE BALANCE TUB & SHOWER ROUGH-IN VALVE

SKU: 446520  
Code: SH4001



## FEATURES

Material: Bronze  
Flow Rate: 6.34 gpm (24.0 L/min) @ 80 psi  
Connection Type: 1/2" MIP and SWT  
Cartridge Type: Ceramic Disc

IAPMO, ASME A112.18.1/CSA B125.1, ASSE 1016 Type P, Massachusetts Accepted, LISTED ID: SH4001



## ADDITIONAL FEATURES

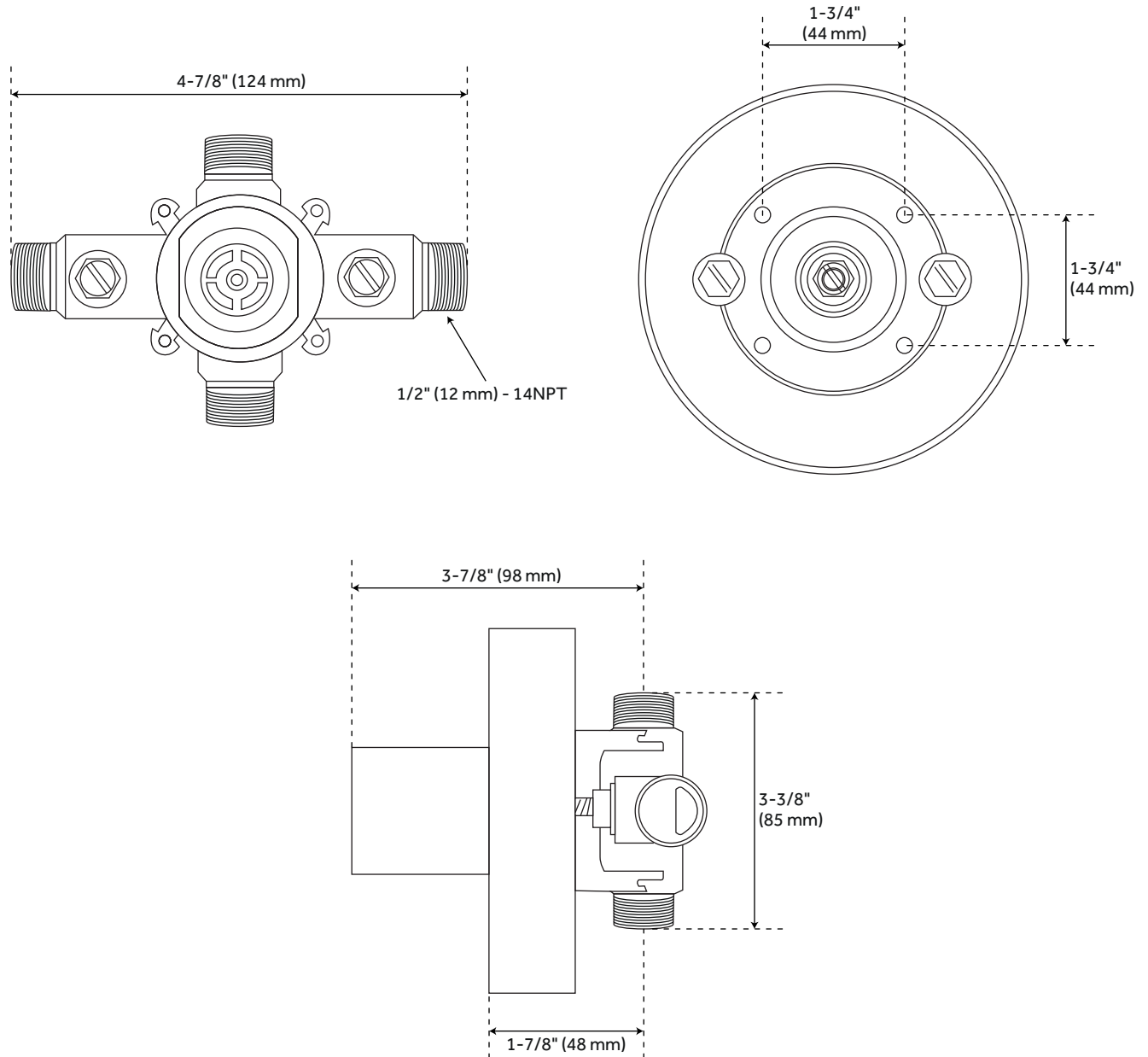
- Compatible with Beasley, Berwyn, Boca Raton, Drea, Edenton, Elita, Greyfield, Gunther, Hibiscus, Key West, Lentz, Lexia, Pendleton, Pinecrest, Provincetown, Rigi, Sefina, Vassor and Vilamonte Pressure Balance Trims.
- Pressure balance valve with integral stops.
- One-piece cartridge design for ease of maintenance.
- Back-to-back capability.
- Ceramic disc valve cartridge.
- Cast bronze valve body.
- Adjustable temperature limit stop.
- Quick remove plaster guard.
- Easy mounting brackets.
- Important Note: Pressure Balancing Valves, regardless of brand, are generally not recommended for use with tankless (on-demand) water heaters. Pressure Balancing Valves adjust to the lowest incoming water

REVISED 5/24/2024

# PRESSURE BALANCE TUB AND SHOWER ROUGH-IN VALVE

SKU: 446520

SH4001



All dimensions and specifications are nominal and may vary. Use actual products for accuracy in critical situations.

# VILAMONTE IN-WALL SHOWER DIVERTER

SKU: 948907

Code: SHVL9005, SH6103



## FEATURES

Material: Metal

LISTED ID: SHVL9005\*, SH6103



## ADDITIONAL FEATURES

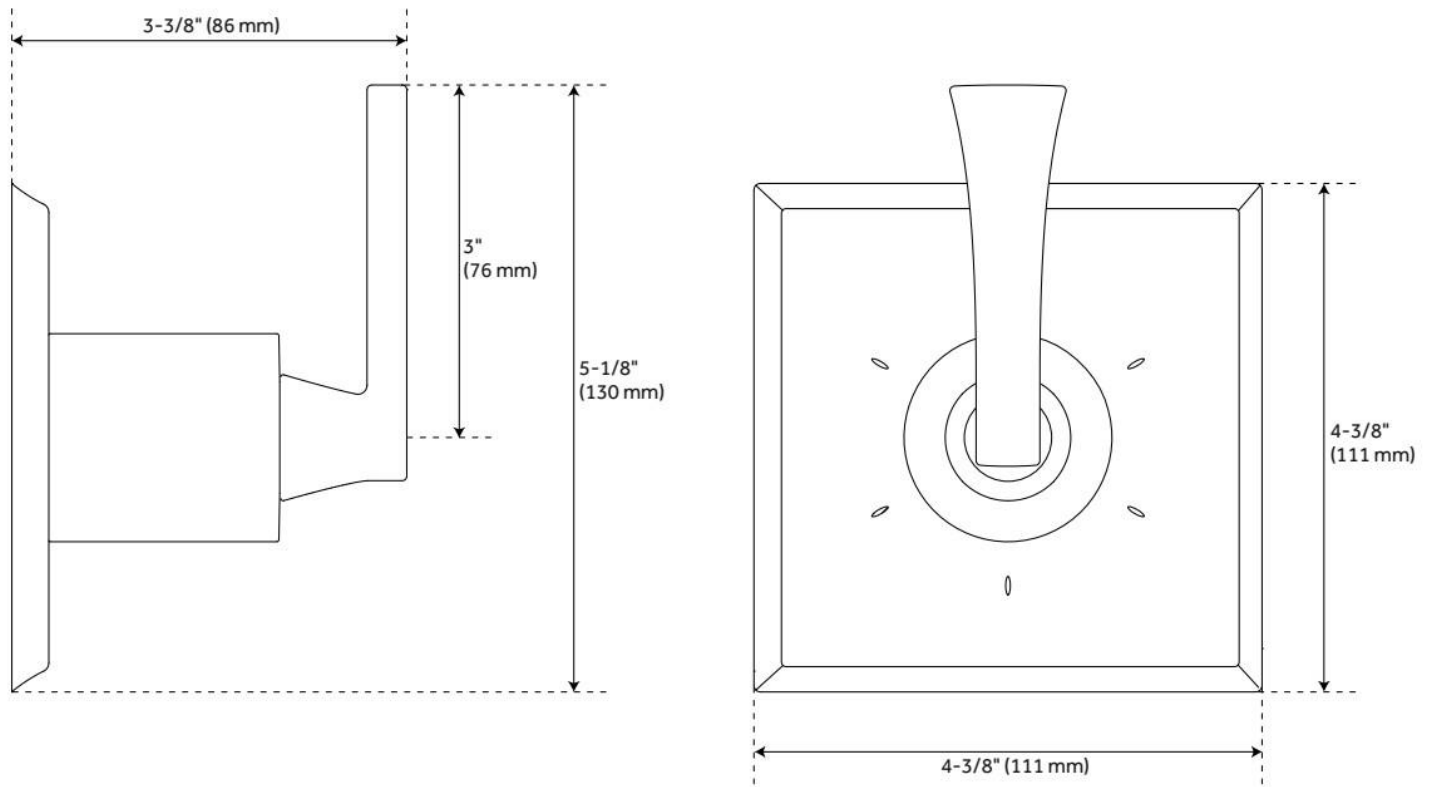
- Metal Lever Handle.
- Not intended as a shut off valve.
- Six total settings allow for shared water flow between outlets, giving you the ability to use two functions at once.
- Wall thickness range: 1" - 1-3/4".
- Optional Rough-in Valve:
  - Available Single-Function Diverter Valve Cartridge restricts water flow to one outlet at a time. SH6150
  - Brass valve body.
  - Ceramic cartridge.
  - Recommended valve installation depth 1-5/8" to 2-3/8".
  - Must be installed in accordance with provided installation instructions.

REVISED 5/30/2024

# VILAMONTE IN-WALL SHOWER DIVERTER

SKU: 948907

Code: SHVL9005, SH6103



REVISED 5/30/2024



# 3-WAY IN-WALL DIVERTER ROUGH-IN VALVE - 3/4"

SKU: 446519  
Code: SH6103

## FEATURES

Material: Brass  
Cartridge Type: Ceramic Disc



IAPMO, ASME A112.18.1/CSA B125.1, ASME A112.18.2/CSA B125.2, Massachusetts Accepted, LISTED ID: SH6103



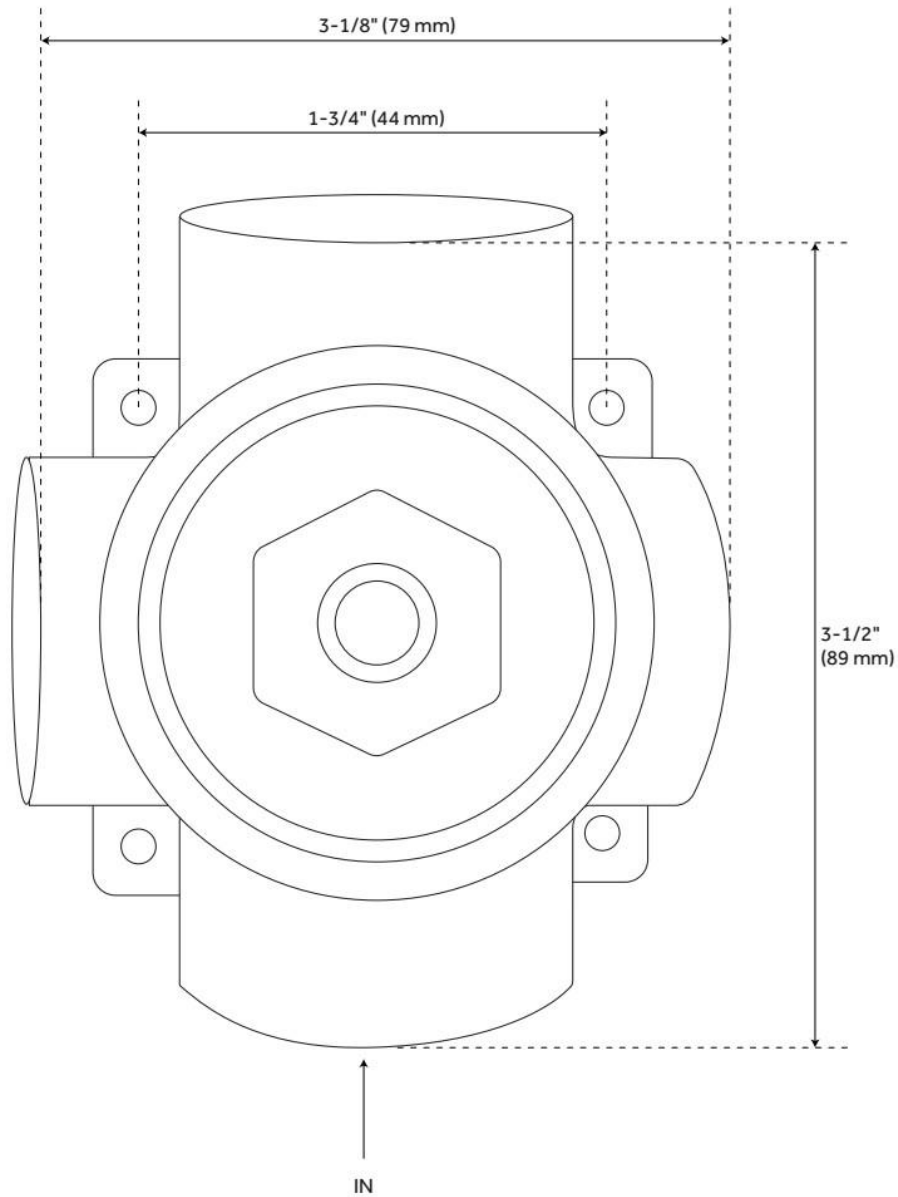
## ADDITIONAL FEATURES

- Six total settings allow for shared water flow between outlets, giving you the ability to use two functions at once.
- Ceramic cartridge.
- Available Single-Function Diverter Valve Cartridge restricts water flow to one outlet at a time.
- Not intended as a shut off valve.
- For installations only requiring 2 outlets, the 3rd outlet may be looped into one of the existing pipes.
- Compatible with Beasley, Berwyn, Boca Raton, Drea, Edenton, Elita, Greyfield, Gunther, Hibiscus, Key West, Lentz, Lexia, Pendleton, Pinecrest, Provincetown, Rigi, Sefina, Vassor and Vilamonte Diverter Trims.

REVISED 5/24/2024

# 3-WAY IN-WALL DIVERTER ROUGH-IN VALVE - 3/4"

SKU: 446519  
Code: SH6103



REVISED 5/24/2024

# CONTEMPORARY SLIDE BAR FOR HAND SHOWER

SKU: 948919

Code: SHSB3040, SH484206, SH485501, SHSB3040PB



## FEATURES

Material: Brass

## ADDITIONAL FEATURES

- Metal bar and mounting posts.
- Adjustable angle for handshower mount.

REVISED 5/30/2024

# HIBISCUS HAND SHOWER

SKU: 948930

Code: SHHS4080G, SHHS4080GPN, SHHS4080GORB

## FEATURES

Material: ABS

Hand Shower Spray: Full

Hand Shower Flow Rate: 1.8 gpm (6.8 L/min) @ 80 psi



ASME A112.18.1/CSA B125.1, CEC Listed, WaterSense by IAPMO, Massachusetts Accepted, LISTED ID: SHHS4080G\*



## ADDITIONAL FEATURES

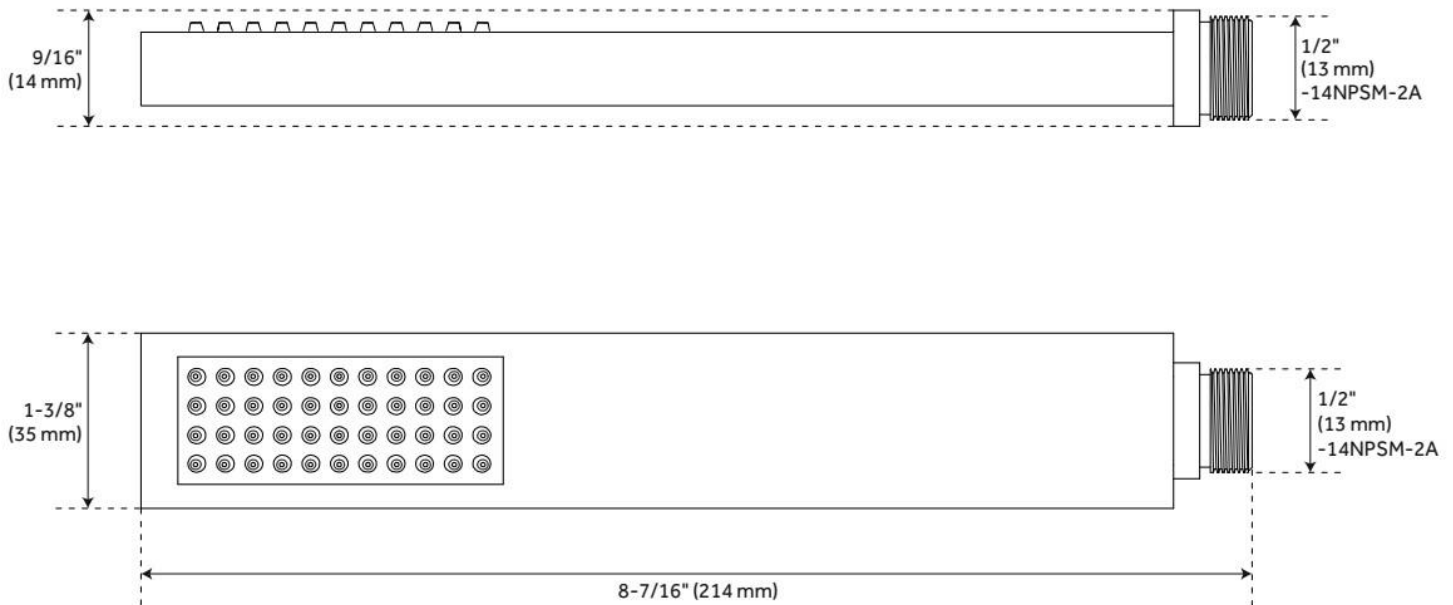
- Single function hand shower (full spray).
- Easy-clean spray nozzles.
- Factory installed backflow prevention check valve.
- Hose sold separately.

REVISED 5/30/2024

# HIBISCUS HAND SHOWER

SKU: 948930

Code: SHHS4080G, SHHS4080GPN, SHHS4080GORB



REVISED 5/30/2024

# CONTEMPORARY SQUARE WATER SUPPLY ELBOW FOR HAND SHOWER

SKU: 948933  
Code: SHWE2020



## FEATURES

Material: Metal  
Connection Type: 1/2" NPT

LISTED ID: SHWE2020\*



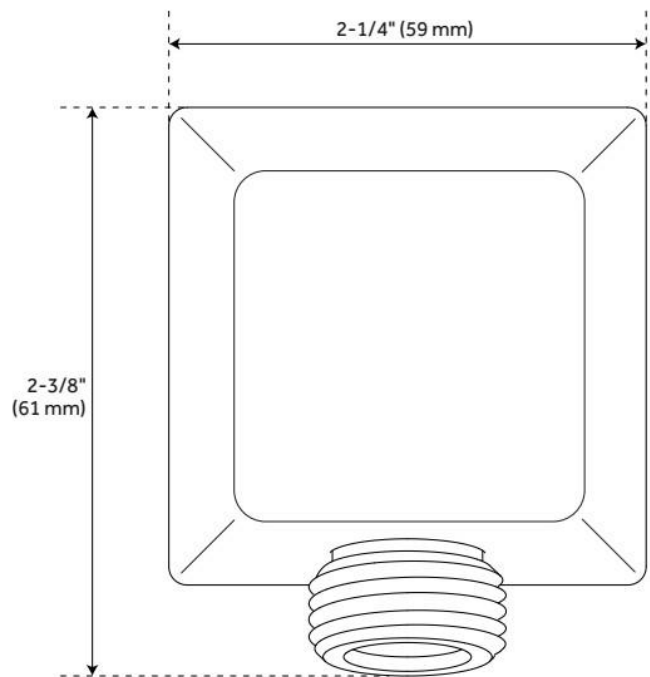
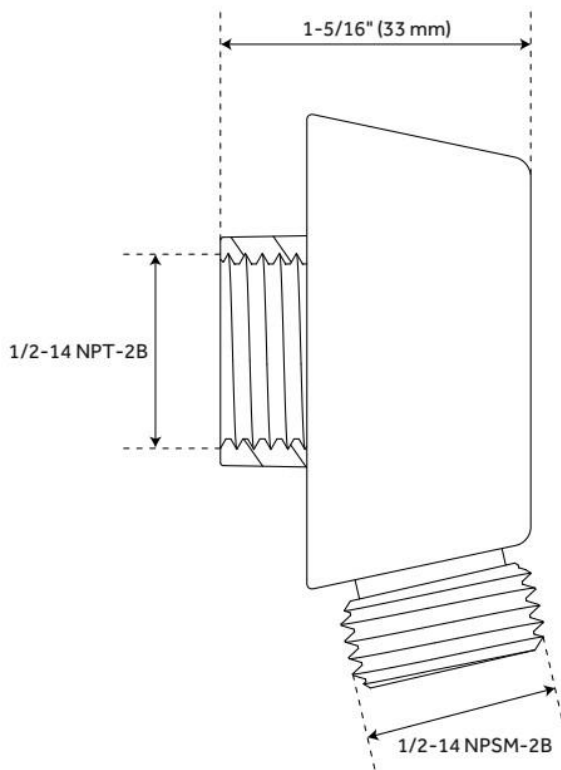
## ADDITIONAL FEATURES

- 1/2" Female wall connection.
- 1/2" Male hose connection.

REVISED 5/30/2024

# CONTEMPORARY SQUARE WATER SUPPLY ELBOW FOR HAND SHOWER

SKU: 948933  
Code: SHWE2020



REVISED 5/30/2024

# 60" METAL HAND SHOWER HOSE

SKU: 948088  
Code: SHH1010

## FEATURES

Connection Type: 1/2" IPS



ASME A112.18.1/CSA B125.1, Massachusetts Accepted, LISTED ID: SHH1010\*



## ADDITIONAL FEATURES

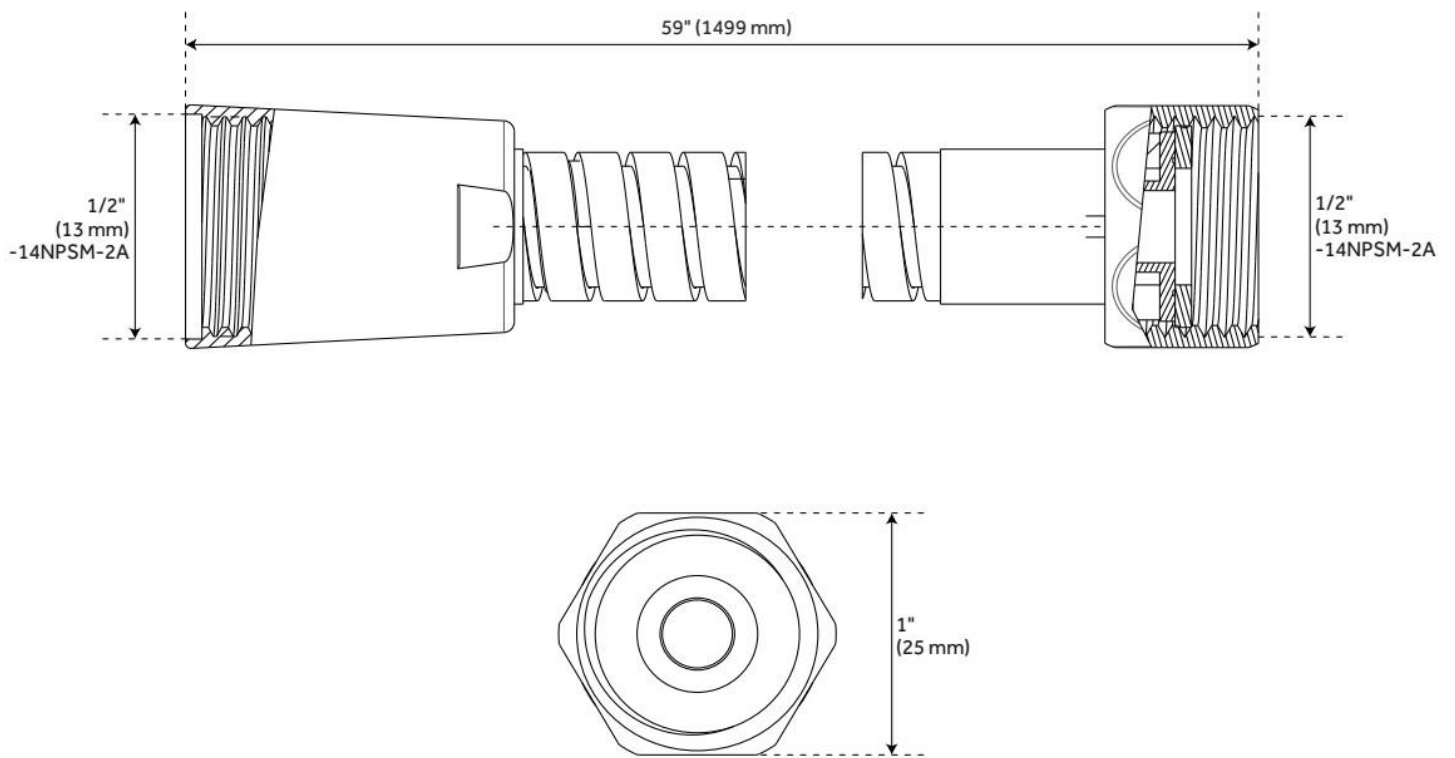
- Hand Sprayer sold separately.
- 60" - 72" stretchable metal shower hose.
- Double spiral constructed hose.

REVISED 5/24/2024



# 60" METAL HAND SHOWER HOSE

SKU: 948088  
Code: SHH1010



REVISED 5/24/2024