

# PENDLETON PRESSURE BALANCE SHOWER SYSTEM WITH HAND SHOWER

SKU: 953934

Code: SH4001,SH6103,SHH1010,SHHS4010G,SHPT8020G,SHPT9005,SHWES2050



## FEATURES

Installation Type: Residential  
Features: Pressure-Balanced  
Design: Modern  
Material: Metal  
Mounting Hardware Included: Yes  
Assembly Required: Yes  
Handle Type: Lever  
Body Sprays: No  
Shower Head Installation Type: Wall  
Number of Shower Heads: 1  
Shower Head Diameter: 4-1/16"  
Shower Head Material: ABS  
Shower Head Spray: Single Function  
Shower Arm Included: Yes  
Shower Arm Extension: 7-13/16"  
Shower Head IPS: 1/2"  
Shower Head Swivel: Yes  
Valve Trim Diameter: 6-3/4"  
Hand Shower Hose Length: 60"  
Hand Shower Material: ABS  
Hand Shower Flow Rate: 1.8 gpm (6.8L/min) max @ 80 psi  
Diverter Included: Yes  
Shower Head Flow Rate: 1.8 gpm (6.8 L/min) @ 80 psi  
Ceramic Disc Cartridges: Yes  
Weight: 13.41

ASME A112.18.1/CSA B125.1

ASSE 1016 Type P

CEC Listed

WaterSense by IAPMO

Massachusetts Accepted



REVISED 2/29/2024

# PENDLETON PRESSURE BALANCE SHOWER SYSTEM WITH HAND SHOWER

SKU: 953934

Code: SH4001,SH6103,SHH1010,SHHS4010G,SHPT8020G,SHPT9005,SHWES2050



## ADDITIONAL FEATURES

Pressure Balance Tub & Shower Rough-In Valve:

- Pressure balance valve with integral stops.
- One-piece cartridge design for ease of maintenance.
- Back-to-back capability.
- Cast bronze valve body.
- Adjustable temperature limit stop.

3-Way In-Wall Diverter Rough-In Valve - 3/4":

- Six total settings allow for shared water flow between outlets, giving you the ability to use two functions at once.
- Single-Function.
- Diverter Valve Cartridge restricts water flow to one outlet at a time.
- For installations only requiring 2 outlets, the 3rd outlet may be looped into one of the existing pipes.

Swivel Water Supply Elbow and Bracket for Hand Shower:

- 1/2" Female wall connection.
- 1/2" Male hose connection.
- Brass inlet/outlet, ABS body.

60" Stretchable Metal Hand Shower Hose:

- Double spiral construction.

Traditional Multifunction Hand Shower:

- 5 function handshower (full spray, massage spray, aerated spray full & massage spray and full & aerated).
- Factory installed backflow prevention check valve.

Pendleton In-Wall Shower Diverter Trim:

- Diverter Outlets: 3.

Pendleton Pressure Balance Shower Set Trim:

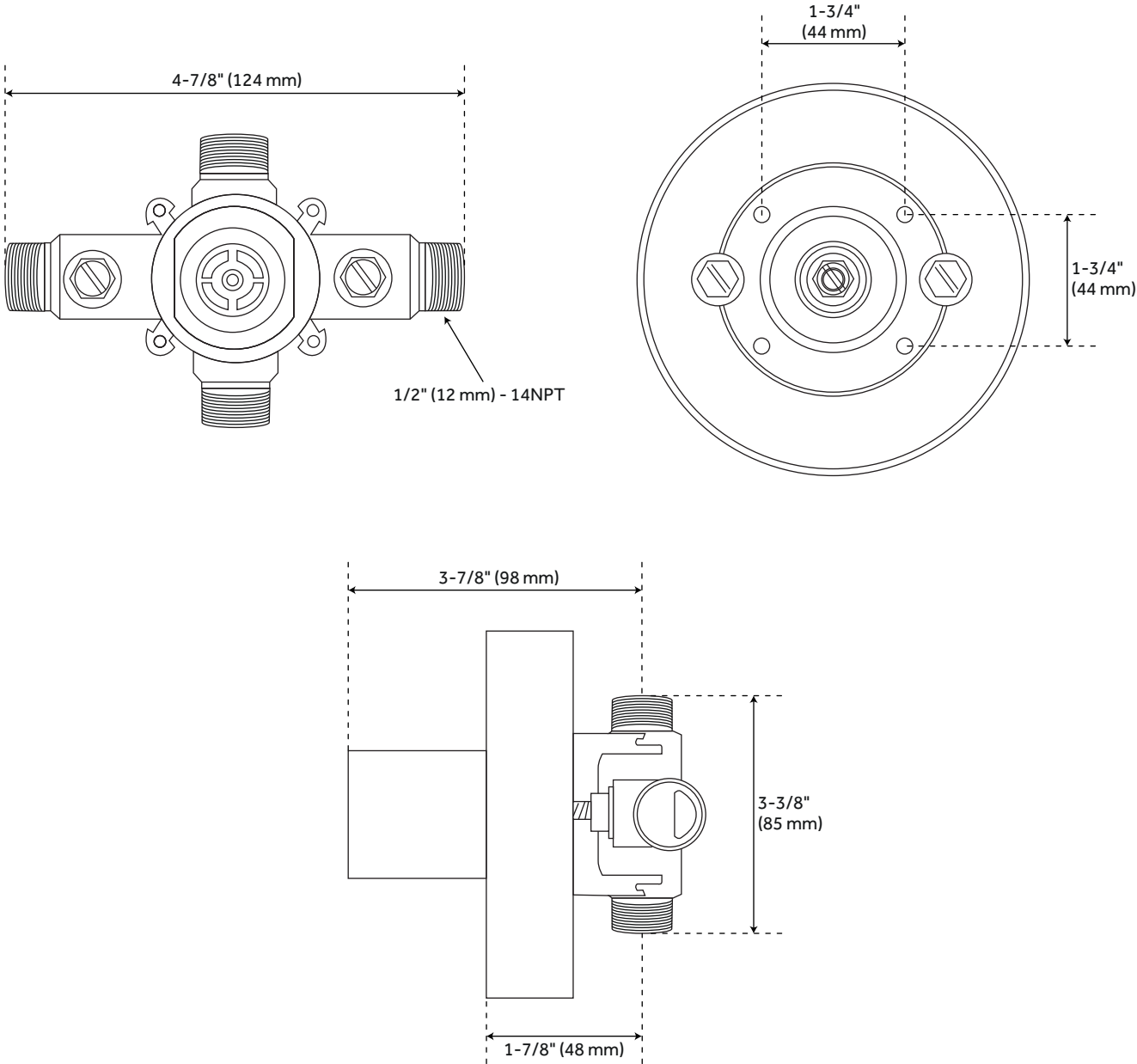
- Handle Type: Lever.
- Shower Head is single function.

REVISED 2/29/2024

# PENDLETON PRESSURE BALANCE TUB AND SHOWER ROUGH-IN VALVE

SKU: 953934

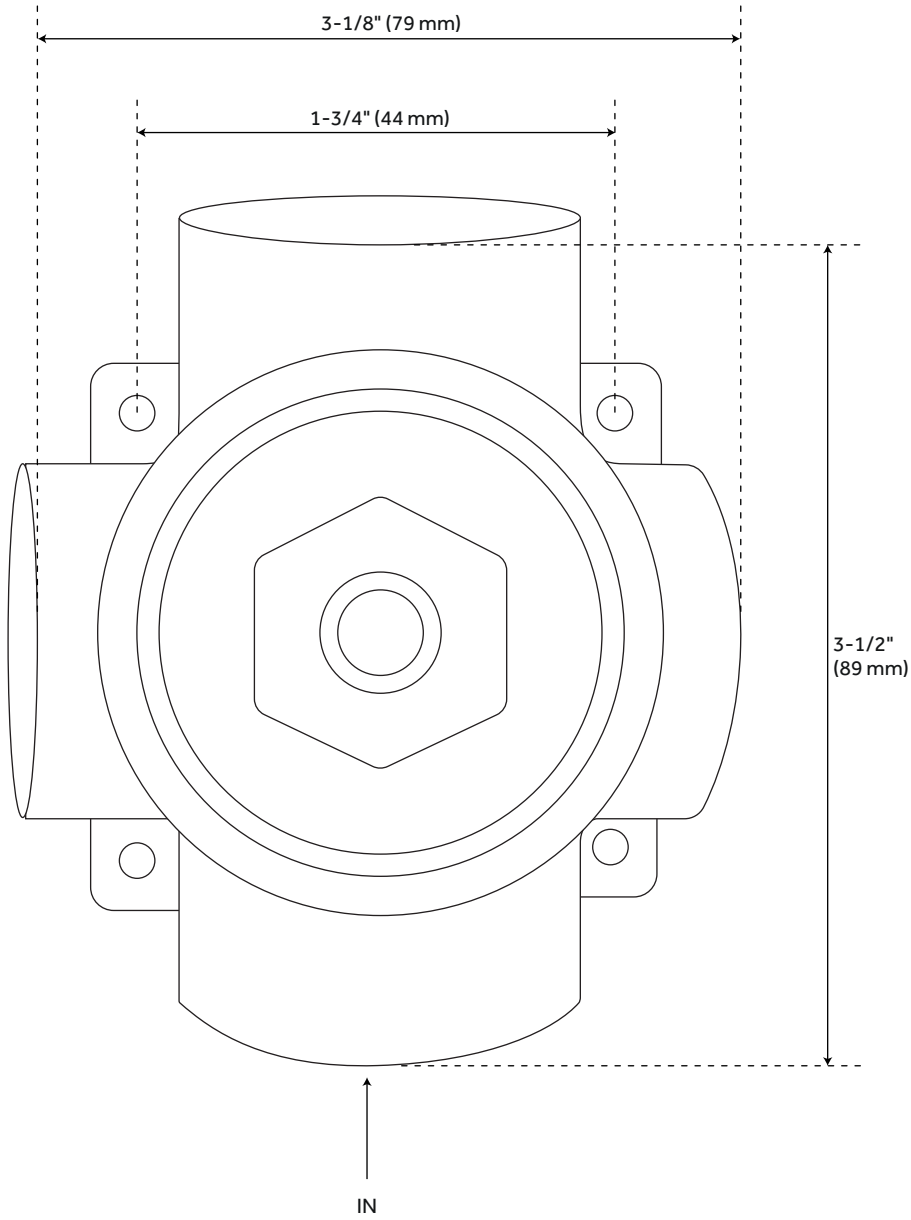
Code: SH4001



All dimensions and specifications are nominal and may vary. Use actual products for accuracy in critical situations.

# PENDLETON 3-WAY IN-WALL DIVERTER ROUGH-IN VALVE

SKU: 953934  
Code: SH6103

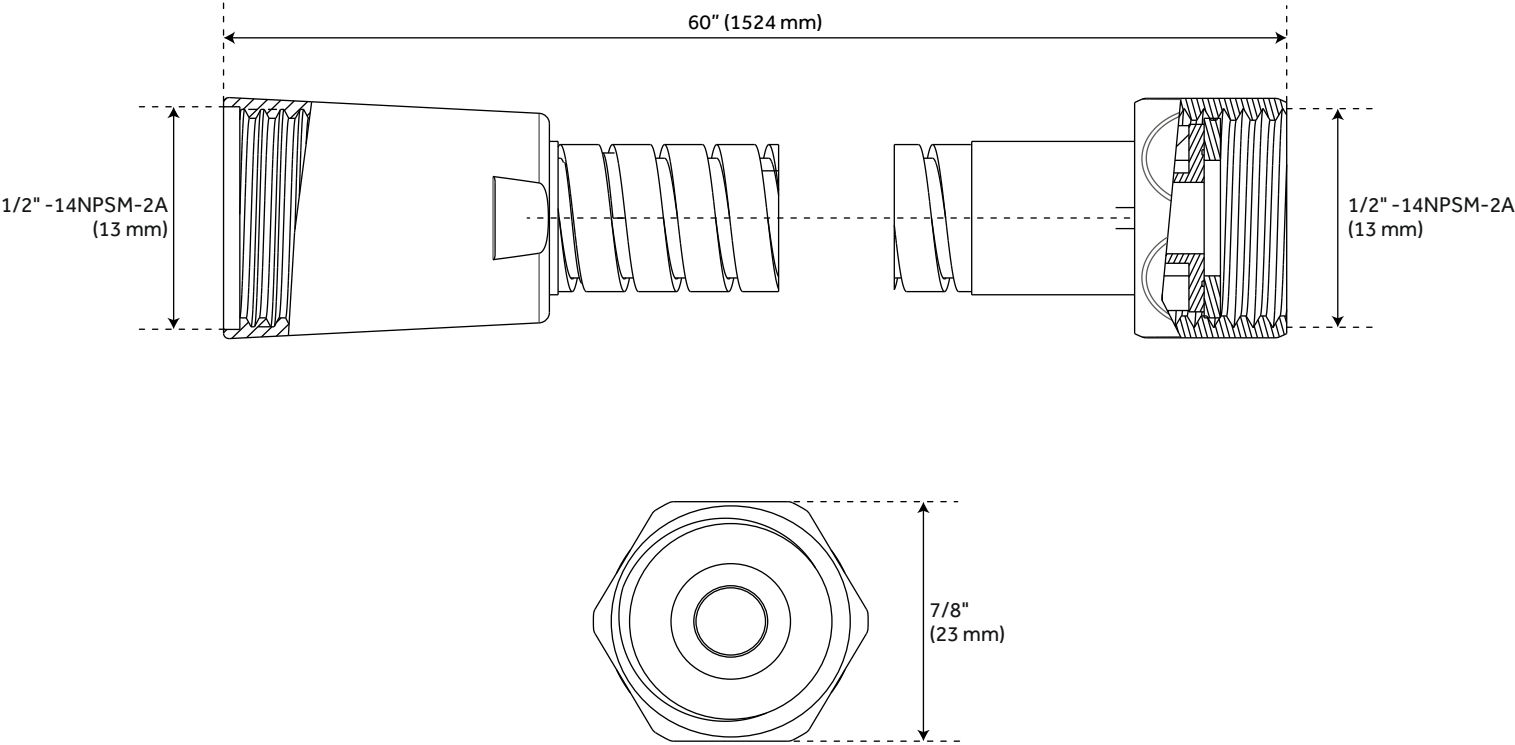


All dimensions and specifications are nominal and may vary. Use actual products for accuracy in critical situations.

# PENDLETON 60" STRETCHABLE METAL HAND SHOWER HOSE

SKU: 953934

Code: SHH1010

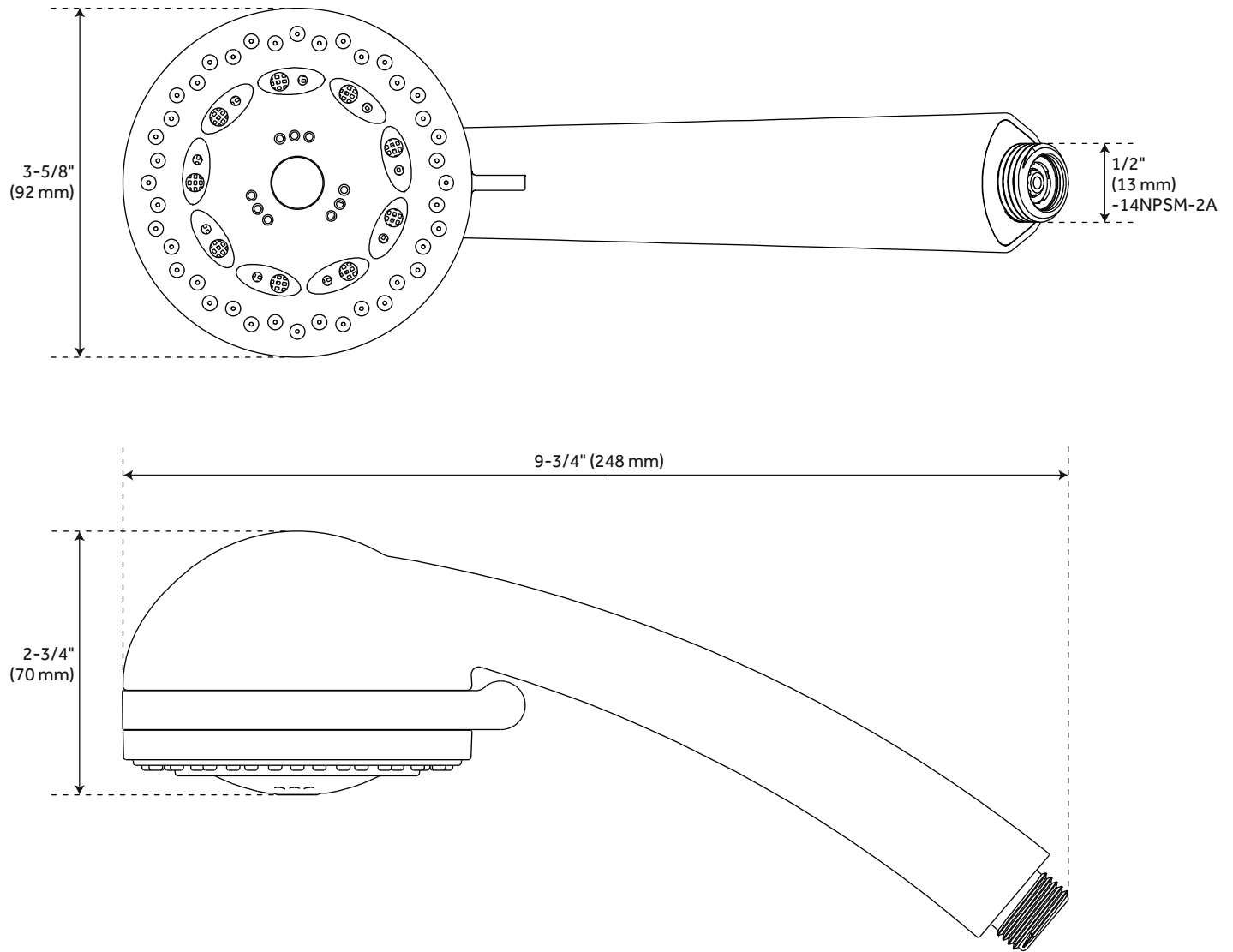


All dimensions and specifications are nominal and may vary. Use actual products for accuracy in critical situations.

# PENDLETON TRADITIONAL MULTIFUNCTION HAND SHOWER

SKU: 953934

Code: SHHS4010G

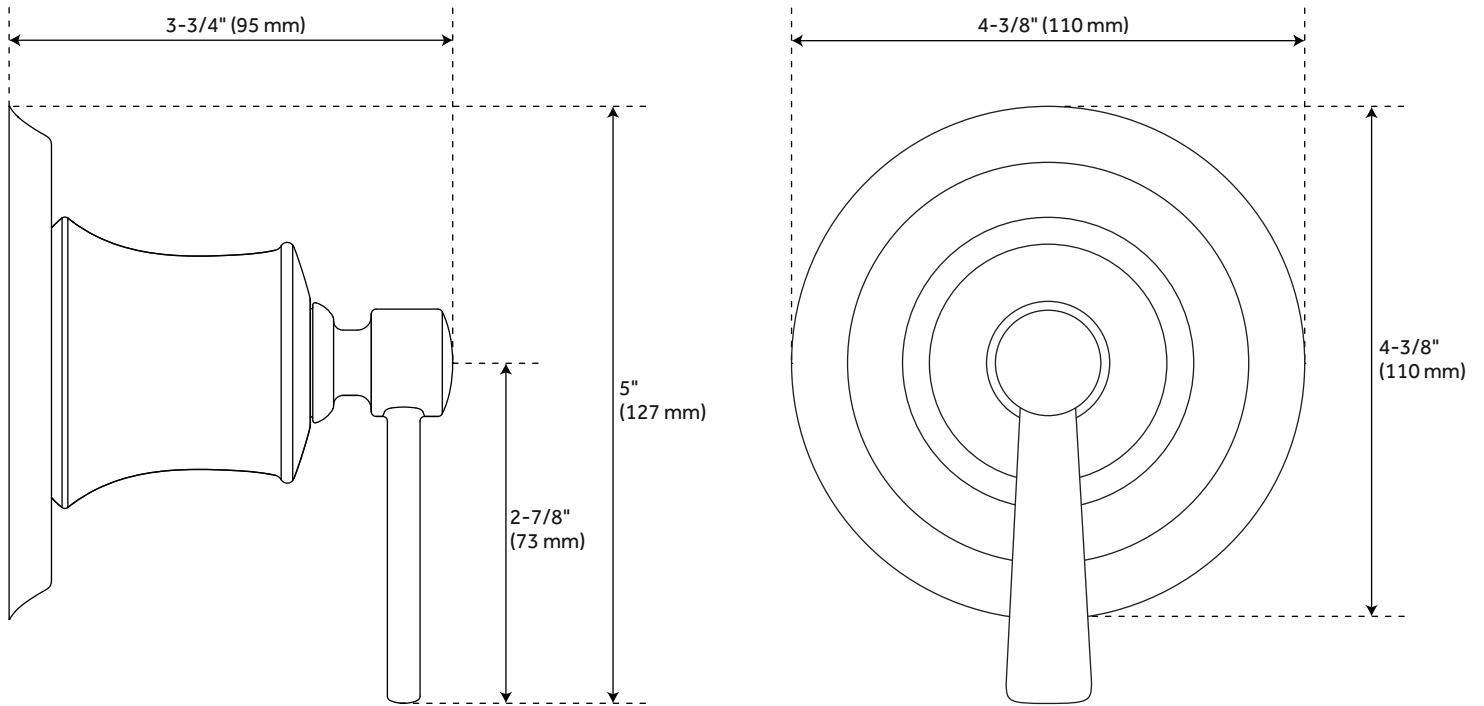


All dimensions and specifications are nominal and may vary. Use actual products for accuracy in critical situations.

# PENDLETON IN-WALL SHOWER DIVERTER

SKU: 953934

Code: SHPT9005

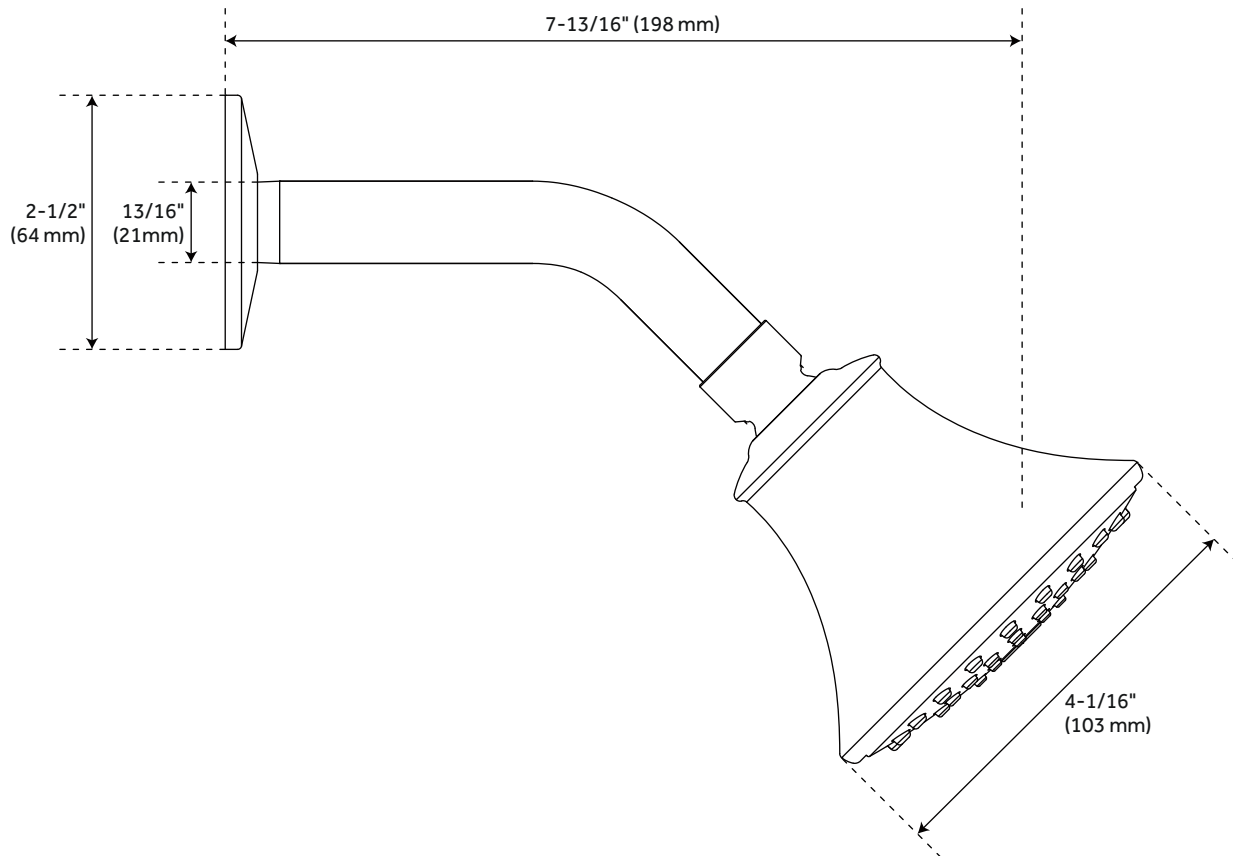


All dimensions and specifications are nominal and may vary. Use actual products for accuracy in critical situations.

# PENDLETON WALL-MOUNT SHOWER HEAD

SKU: 953934

Code: SHPT8020G



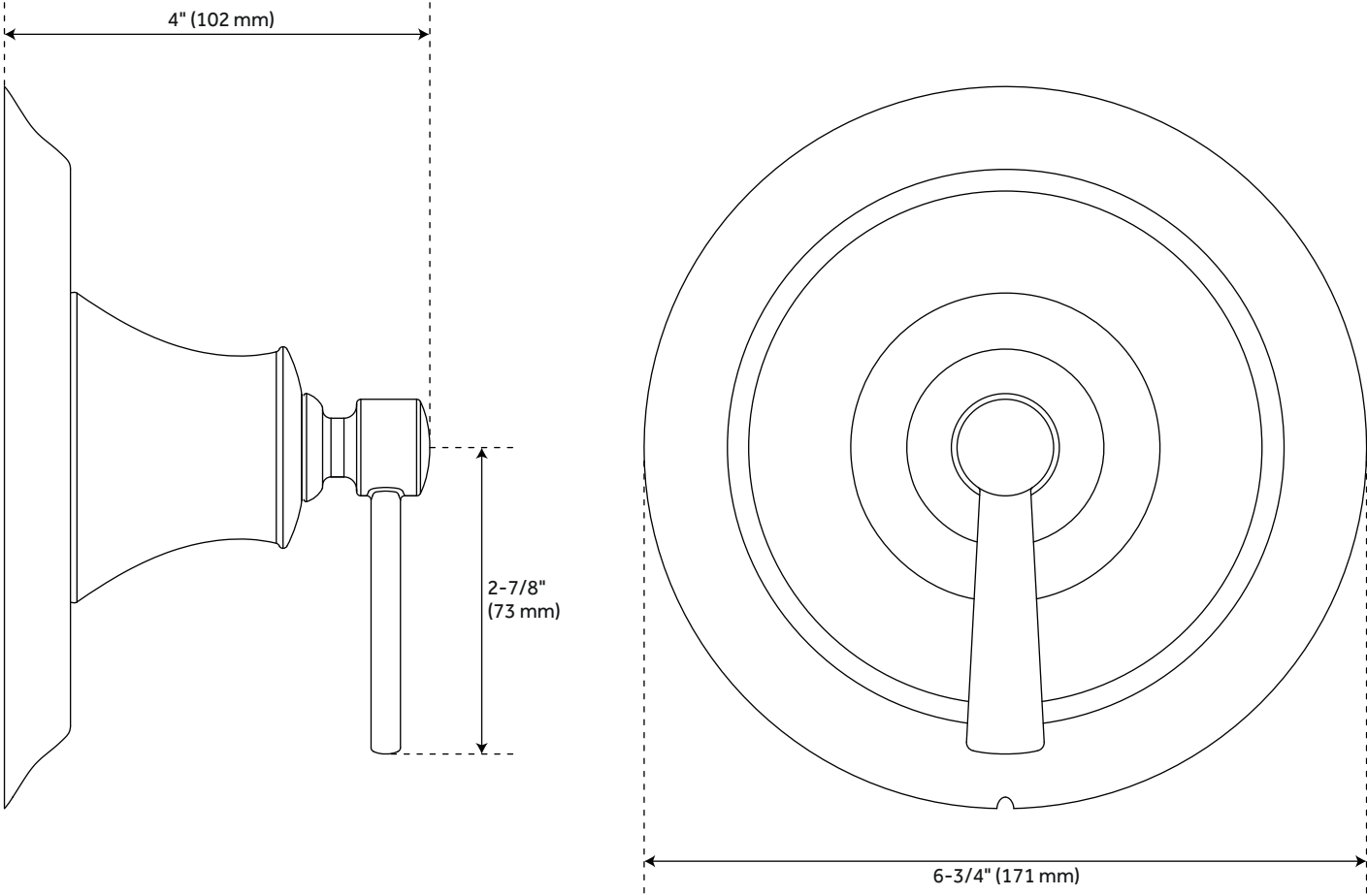
All dimensions and specifications are nominal and may vary. Use actual products for accuracy in critical situations.



# PENDLETON PRESSURE BALANCE SHOWER VALVE

SKU: 948664

CODE: SHPT8020G

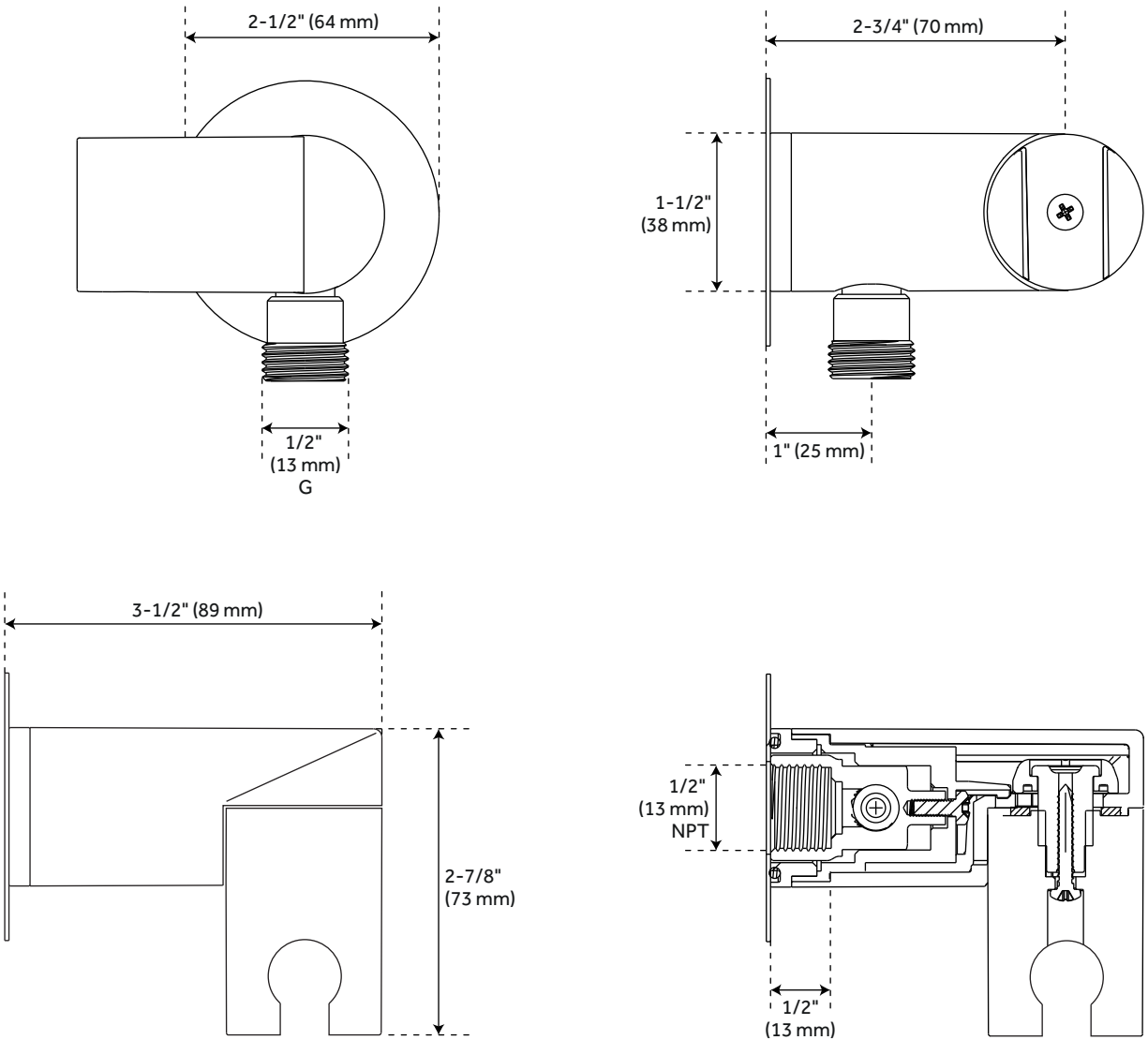


All dimensions and specifications are nominal and may vary. Use actual products for accuracy in critical situations.

# PENDLETON SWIVEL WATER SUPPLY ELBOW AND BRACKET FOR HAND SHOWER

SKU: 953934

Code: SHWES2050



All dimensions and specifications are nominal and may vary. Use actual products for accuracy in critical situations.