

# 59" LAXSON ACRYLIC FREESTANDING TUB

SKU: 948783-60

Code: SH483531, SH484665



## FEATURES

Tub Material: Acrylic  
Product Finish: White  
Shape: Rectangle  
Tub Drain Placement: Center  
Drain Included: Yes  
Drain and Overflow Finish: White  
Water Depth to Overflow: 14-3/4"  
Water Capacity (Gallons): 48  
Built-In Adjusters: Yes  
Tub Weight Uncrated (lbs): 132  
Optional Accessory: 428473

CSA B45.5/IAPMO Z124, Massachusetts Accepted, LISTED ID: SHLXFSO5927WH



## ADDITIONAL FEATURES

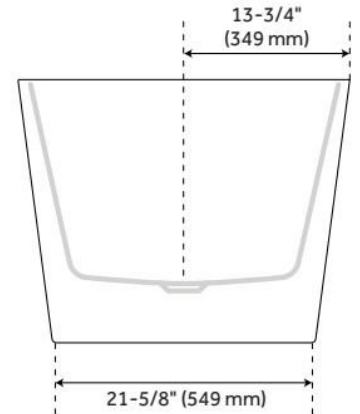
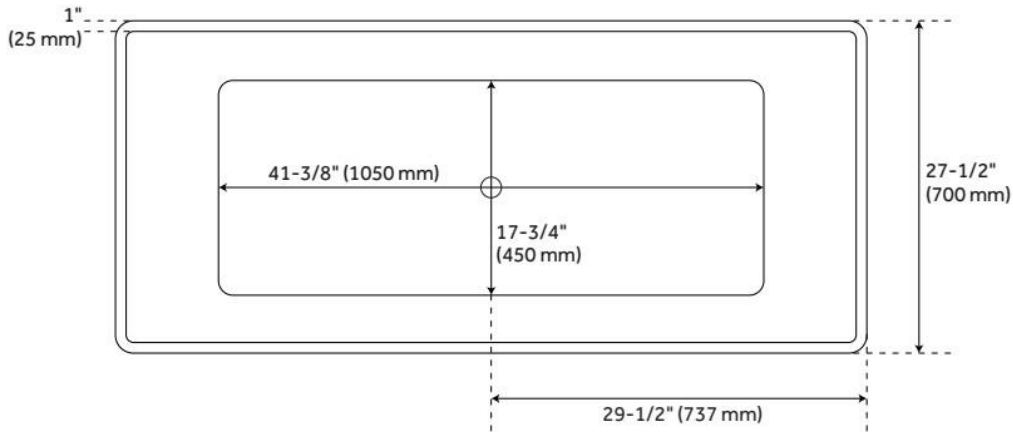
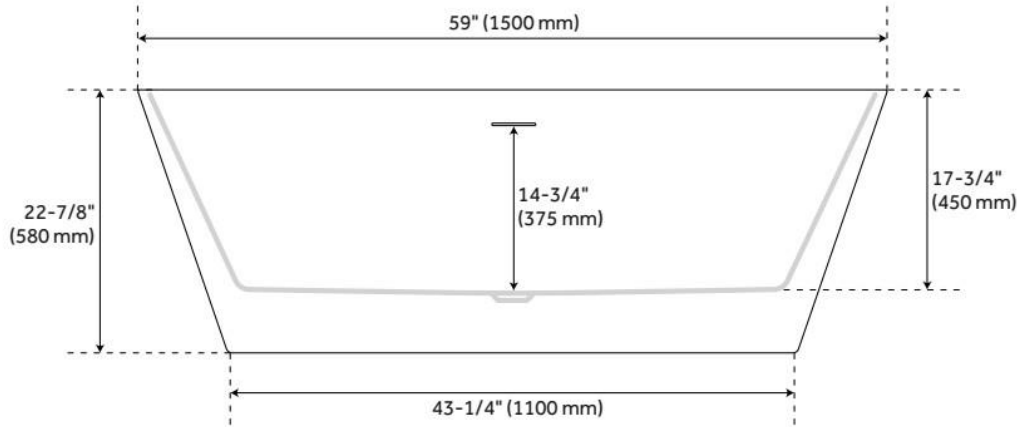
- All dimensions are ( $\pm 1/2$ ").
- Formed of two acrylic sheets, the air between acting as thermal insulator.
- Insulation option: increases heat retention and prevents condensation due to water and air temperature fluctuations.
- Optional Quick Connect Drop-In Drain Kit Includes:
  - Floor Plate, 1-1/2" PVC Pipe, 2" x 1-1/2" Trap Adapters, 1 Brass Threaded, 1 Brass Unthreaded Tailpiece and Plug.
  - Installs above your subfloor, but underneath your cement floor or tile, so you do not need access below the fixture.

REVISED 6/17/2024

# 59" LAXSON ACRYLIC FREESTANDING TUB

SKU: 948783-60

Code: SH483531, SH484665



REVISED 6/17/2024