

# HIBISCUS PRESSURE BALANCE SHOWER SYSTEM WITH HAND SHOWER

SKU: 953892

Code: SHHB8010,SH4001,SHRSA120S,SHSH2080G,SHHS4080G,SHH1010,SHWES2050,SHHB9005,SH6103,SHHB8010Z,SH4001Z,SHRSA120SZ,SHSH2080GZ,SHHS4080GZ,SHH1010Z,SHWES2050Z,SHHB9005Z,SH6103Z



## FEATURES

- Mounting Hardware Included: Yes
- Assembly Required: No
- Handle Type: Lever
- NPT Connection: 1/2"
- Shower Head Installation Type: Wall-Mount
- Number of Shower Heads: 1
- Shower Head Material: 304-Grade Stainless Steel
- Shower Head Spray: Rainfall
- Shower Head Length: 11-3/4"
- Shower Head Width: 11-3/4"
- Shower Arm Included: Yes
- Shower Arm Extension: 12"
- Shower Arm Height: 2-3/8"
- Shower Head IPS: 1/2"
- Shower Head Swivel: Yes
- Valve Trim Width: 6-11/16"
- Valve Trim Height: 6-11/16"
- Hand Shower Length: 8-7/16"
- Hand Shower Hose Length: 60"
- Hand Shower Material: Brass
- Hand Shower Flow Rate: 1.8 gpm (6.8 L/min) @ 80 psi
- Diverter Included: Yes
- Shower Head Flow Rate: 1.8 gpm (6.8 L/min) @ 80 psi

ASME A112.18.1/CSA B125.1

ASSE 1016 Type P

ICC/ANSI A117.1

CEC Listed

Massachusetts Accepted

LISTED ID: SHHB8010\*, SH4001, SHRSA120S\*, SHSH2080G\*, SHHS4080G\*, SHH1010\*, SHWES2050xy, SHHB9005\*, SH6103



REVISED 7/7/2023

# HIBISCUS PRESSURE BALANCE SHOWER SYSTEM WITH HAND SHOWER

SKU: 953892

Code: SHHB8010,SH4001,SHRSA120S,SHSH2080G,SHHS4080G,SHH1010,SHWES2050,SHHB9005,SH6103,SHHB8010Z,SH4001,SHRSA120SZ,SHSH2080GZ,SHHS4080GZ,SHH1010Z,SHWES2050,SHHB9005Z,SH6103



## ADDITIONAL FEATURES

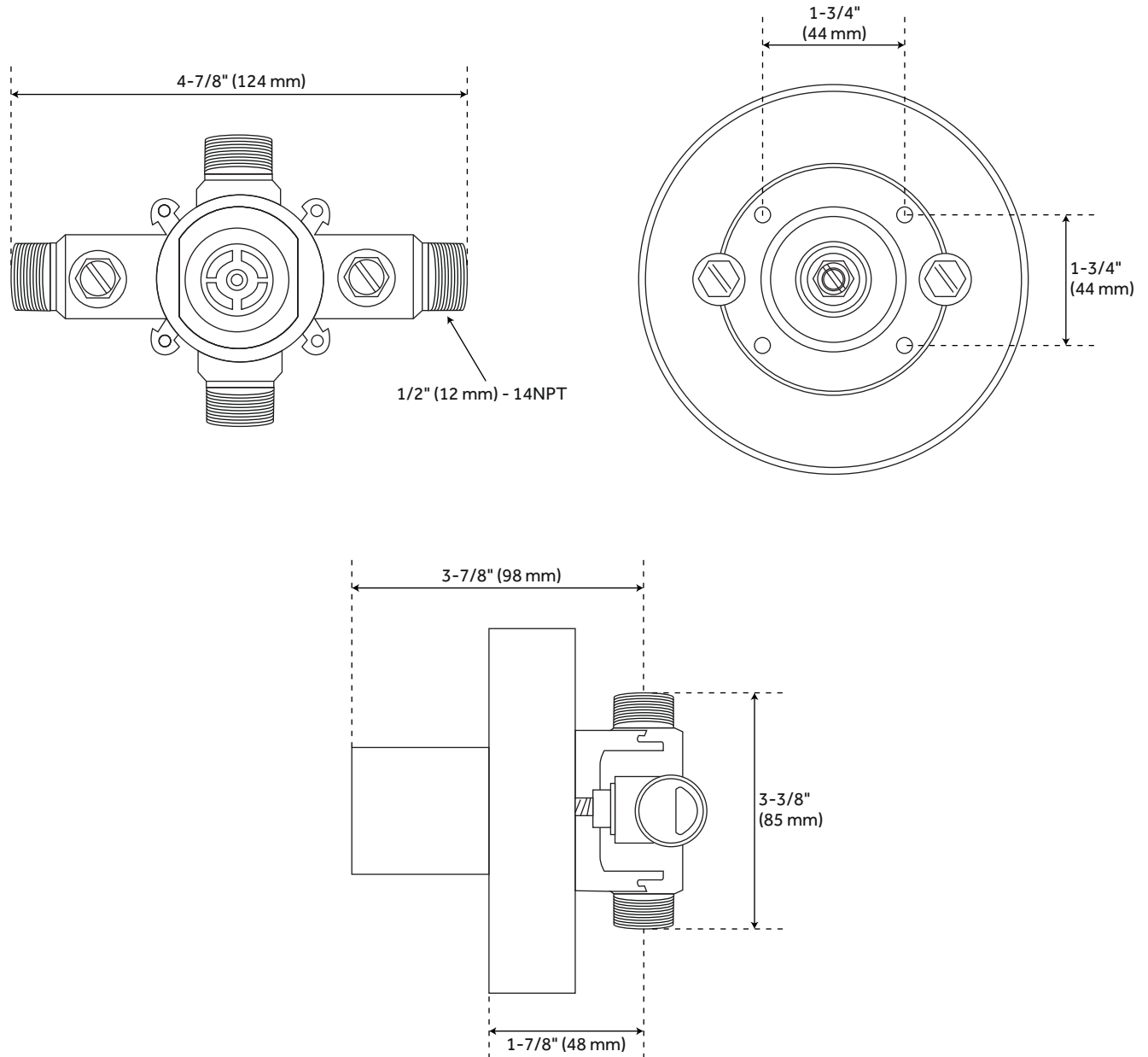
- Metal lever handle.
- Single function 8" Rainfall shower head.
- Single function hand shower with easy-clean spray nozzles.
- 60" - 72" stretchable metal shower hose.
- Included Rough-in valves:
- Pressure balance valve features a one-piece cartridge design for ease of maintenance, back-to-back capability, a ceramic disc cartridge, cast bronze valve body, adjustable temperature limit stop, a quick remove plaster guard, easy mounting brackets and integral stops.
- Ceramic cartridge.
- Diverter valve features a ceramic disc cartridge and brass valve body. An available Single-Function Diverter valve Cartridge restricts water flow to one outlet at a time.

REVISED 7/7/2023

# PRESSURE BALANCE TUB AND SHOWER ROUGH-IN VALVE

SKU: 446520

SH4001

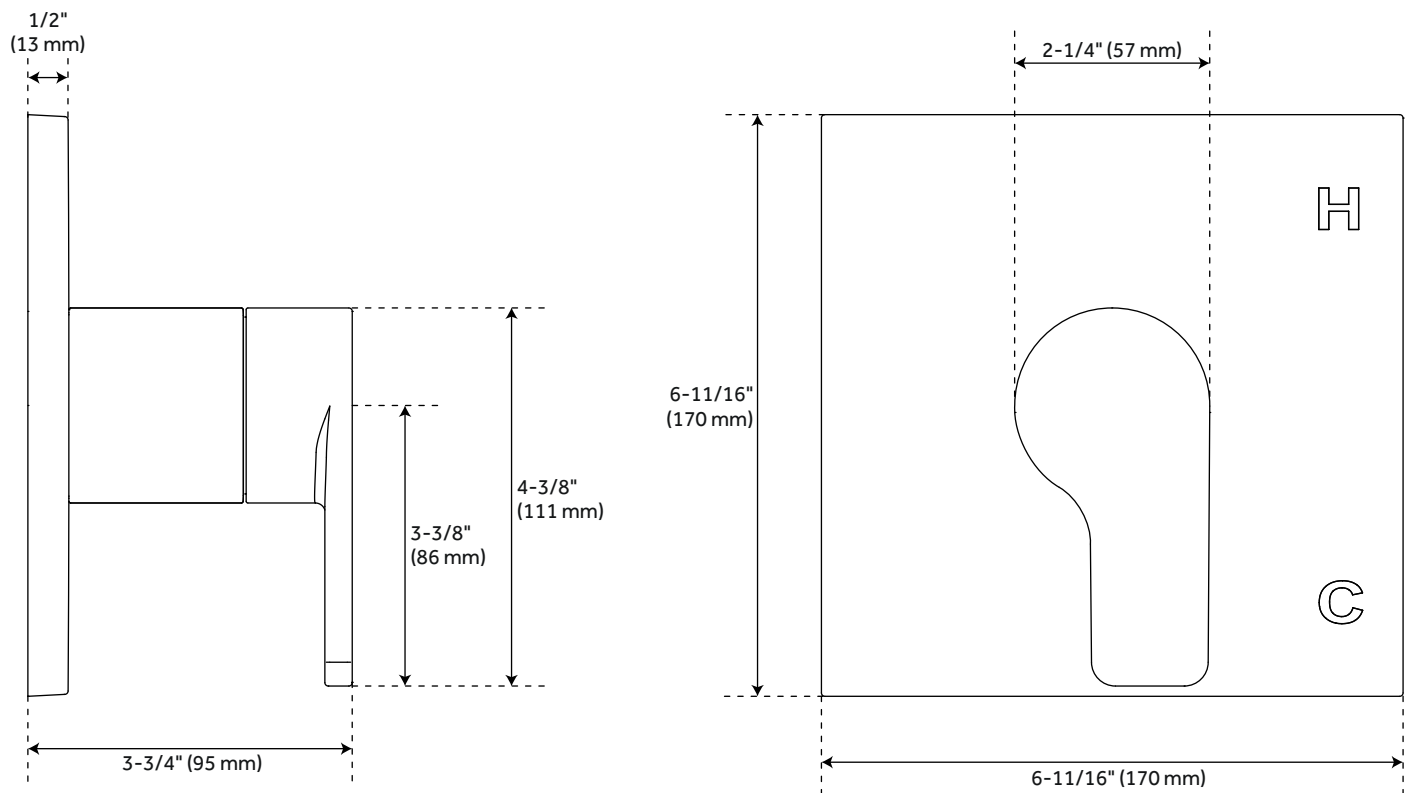


All dimensions and specifications are nominal and may vary. Use actual products for accuracy in critical situations.

# HIBISCUS PRESSURE BALANCE SHOWER VALVE

SKU: 948891

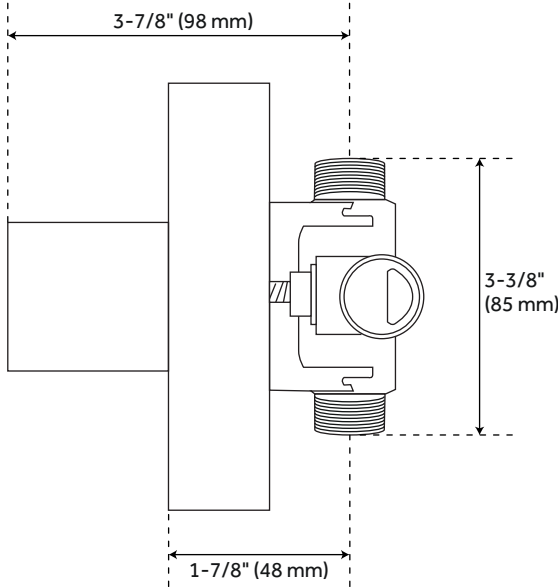
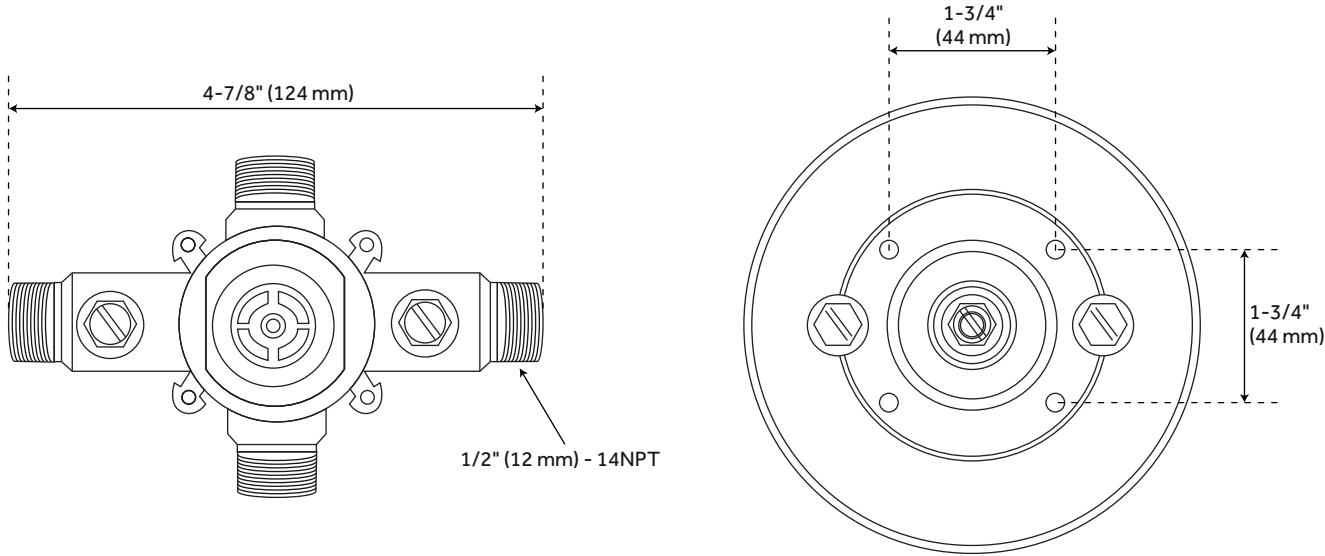
SHHB8010



All dimensions and specifications are nominal and may vary. Use actual products for accuracy in critical situations.

# HIBISCUS OPTIONAL PRESSURE BALANCE TUB AND SHOWER ROUGH IN VALVE

SKU: 948891  
SH4001

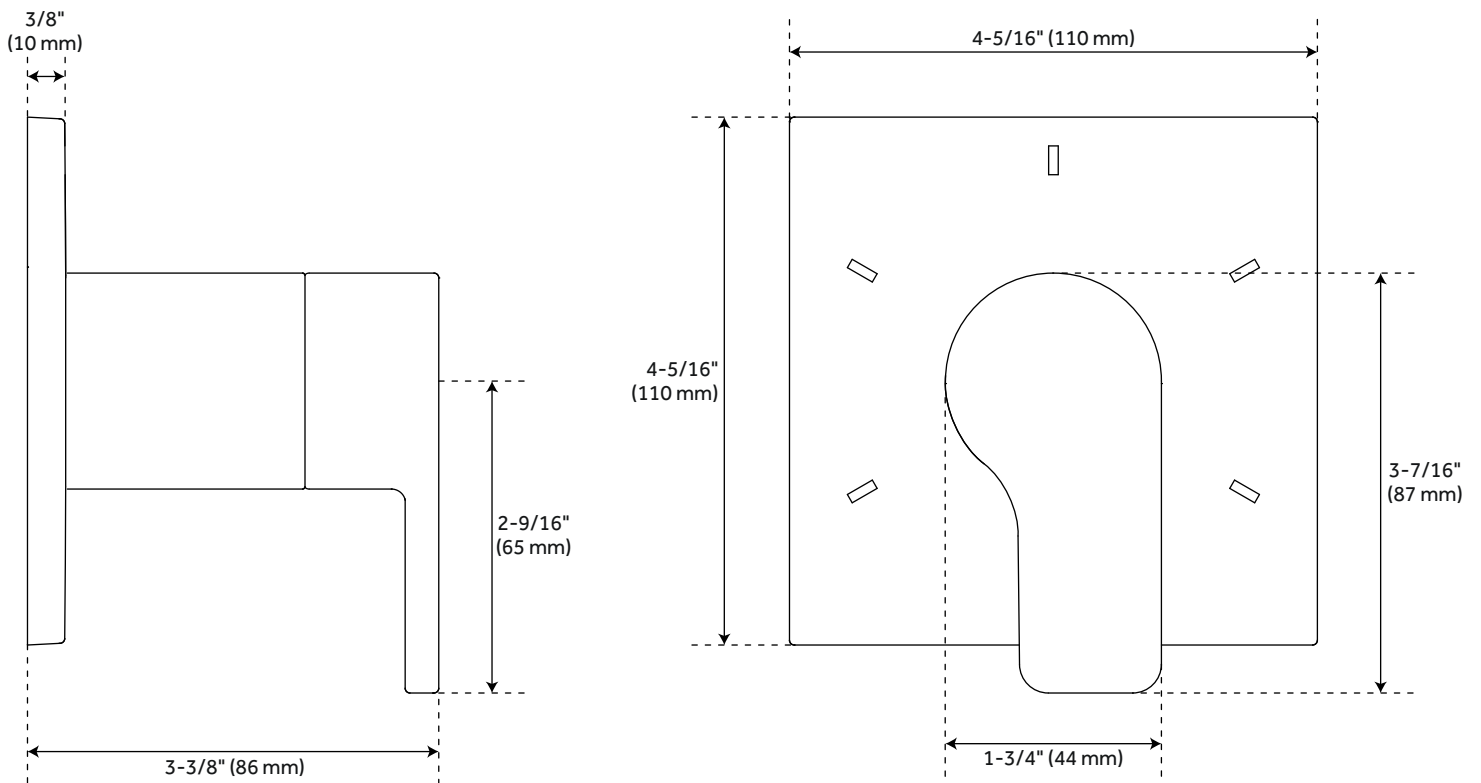


All dimensions and specifications are nominal and may vary. Use actual products for accuracy in critical situations.

# HIBISCUS IN-WALL SHOWER DIVERTER

SKU: 948902

SHHB9005, SHHB9005Z

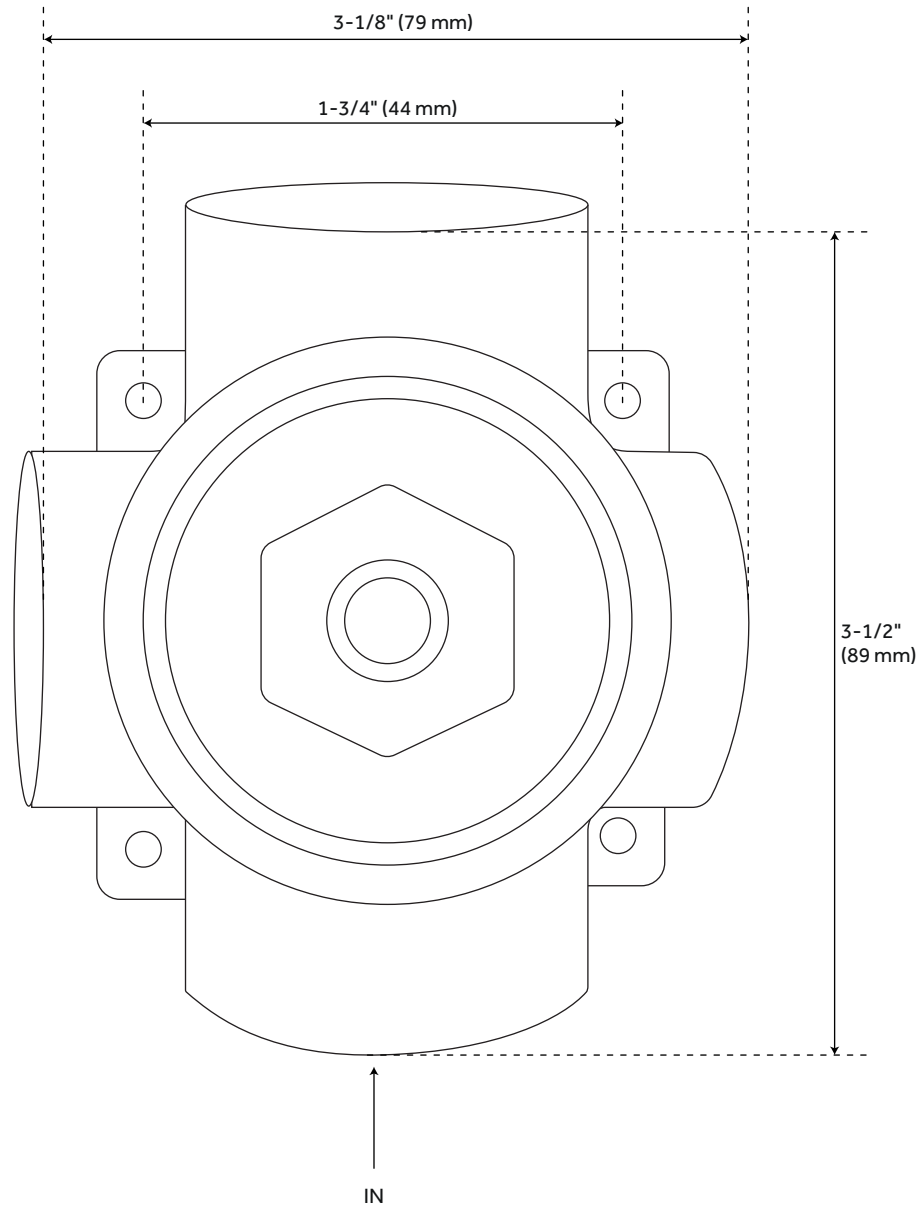


All dimensions and specifications are nominal and may vary. Use actual products for accuracy in critical situations.

# HIBISCUS OPTIONAL 3-WAY IN-WALL DIVERTER ROUGH-IN VALVE - 3/4"

SKU: 948902

SH6103

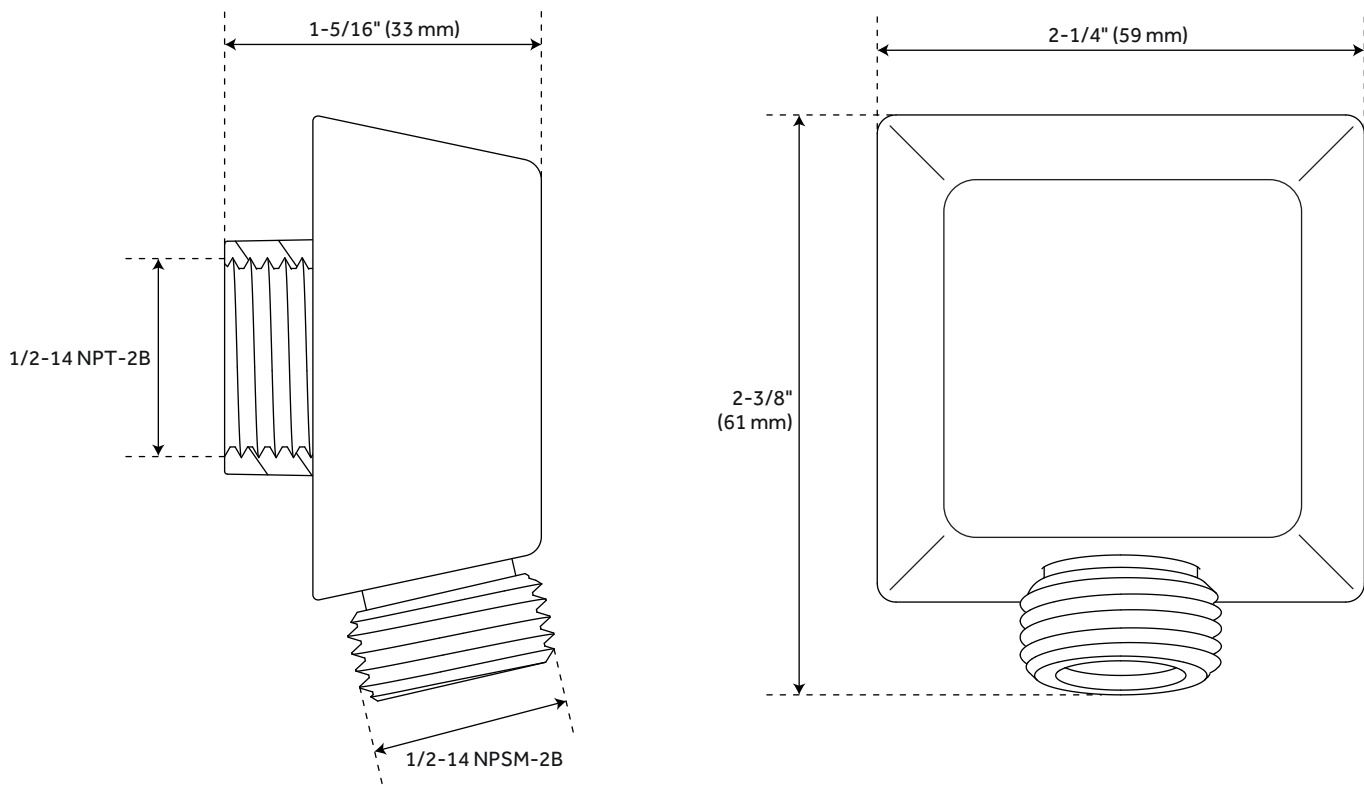


All dimensions and specifications are nominal and may vary. Use actual products for accuracy in critical situations.

# CONTEMPORARY SQUARE WATER SUPPLY ELBOW FOR HAND SHOWER

SKU: 948933

SHWE2020



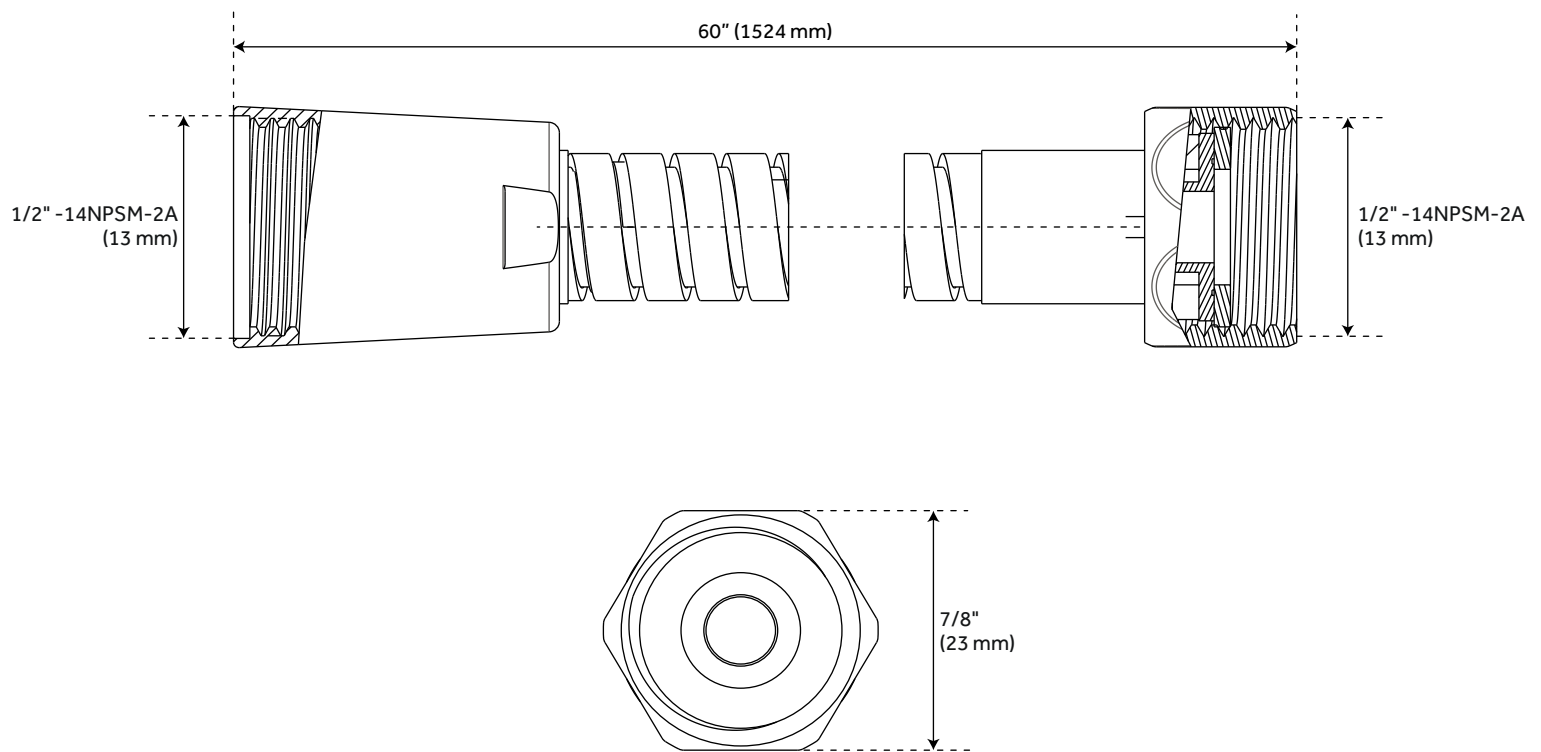
All dimensions and specifications are nominal and may vary. Use actual products for accuracy in critical situations.



# 60" STRETCHABLE METAL HAND SHOWER HOSE

SKU: 948938

SHH1010

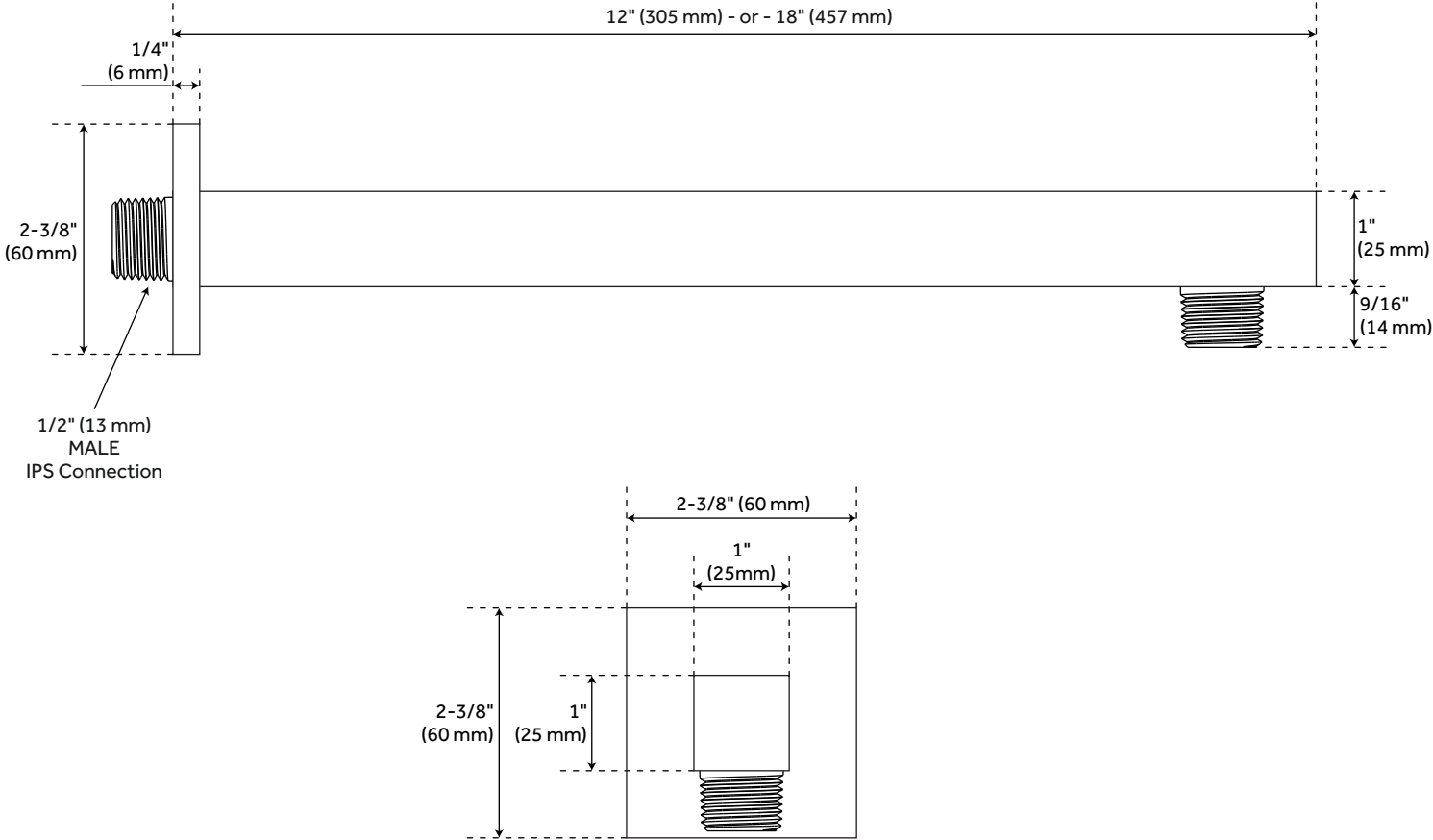


All dimensions and specifications are nominal and may vary. Use actual products for accuracy in critical situations.

# MODERN SQUARE WALL-MOUNT SHOWER ARM WITH FLANGE

SKU: 948956

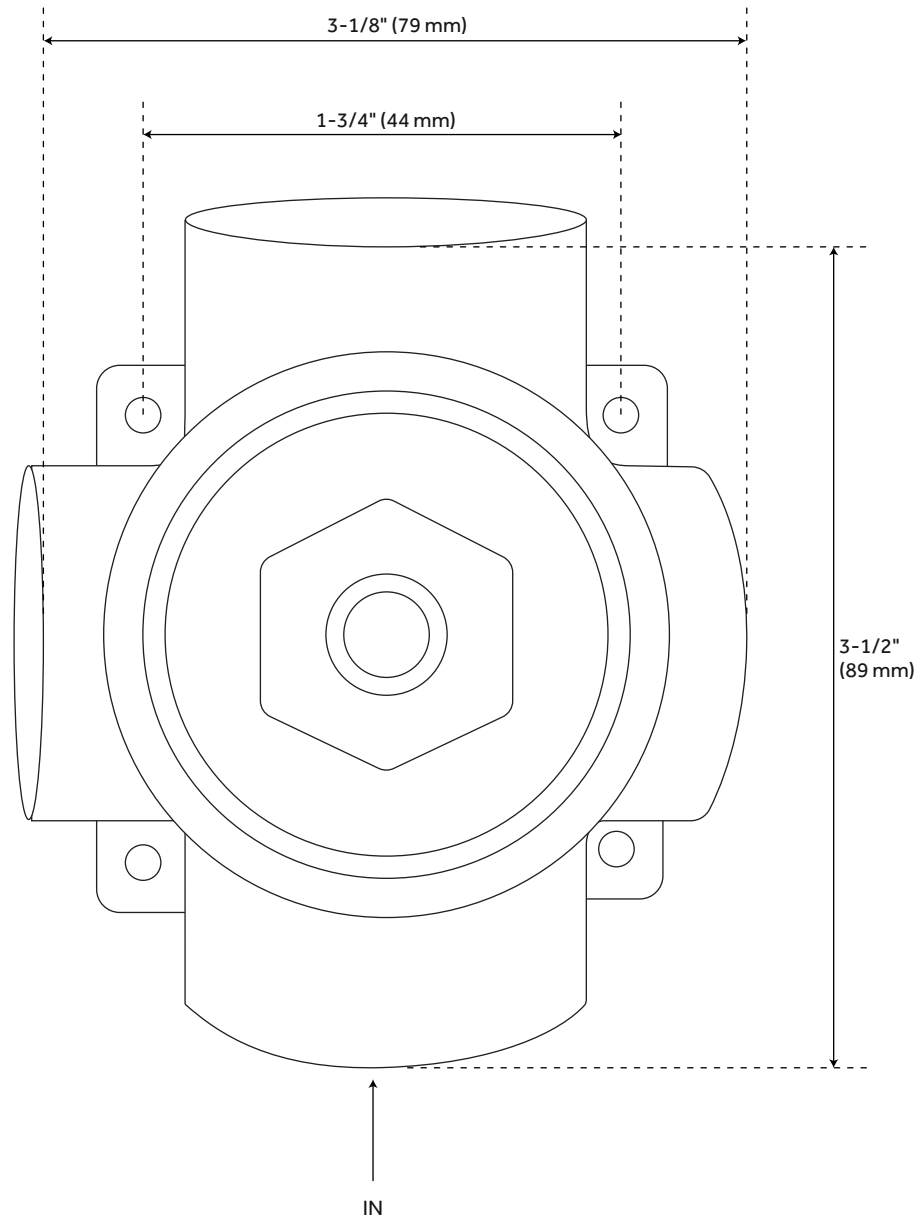
SHRSA120S, SHRSA120SZ, SHRSA180S, SHRSA180Z



All dimensions and specifications are nominal and may vary. Use actual products for accuracy in critical situations.

# 3-WAY IN-WALL DIVERTER ROUGH-IN VALVE

SKU: 953056  
SH6101, SH6103



All dimensions and specifications are nominal and may vary. Use actual products for accuracy in critical situations.