

DREA PRESSURE BALANCE SHOWER SYSTEM WITH HAND SHOWER

SKU: 953928

Code: SHDR8010, SH4001, SHRSA122, SHRSB820RG, SHHS4030G, SHH1010, SHWES2050, SHDR9005, SH6103



FEATURES

Features: Pressure-Balanced
Hand Shower Included
Shape: Round
Handle Type: Lever
Installation Type: Wall Mount
Body Sprays: No
Shower Head Installation Type: Wall
Number of Shower Heads: 1
Shower Head Diameter: 8"
Shower Head Material: ABS
Shower Head Spray: Rainfall
Shower Arm Included: Yes
Shower Arm Extension: 12-3/8"
Shower Arm Height: 5-3/8"
Shower Head IPS: 1/2"
Shower Head Swivel: Yes
Hand Shower Length: 8-7/8"
Hand Shower Hose Length: 60"
Hand Shower Material: Brass
Hand Shower Flow Rate: 1.8 gpm (6.8 L/min) @ 80 psi
Diverter Included: Yes
Shower Head Flow Rate: 1.8 gpm (6.8 L/min) @ 80 psi

ASME A112.18.1/CSA
B125.1 ASSE 1016 Type P
ICC/ASNI A117.1
CEC Listed
Massachusetts Accepted



REVISED 7/7/2023

DREA PRESSURE BALANCE SHOWER SYSTEM WITH HAND SHOWER

SKU: 953928

Code: SHDR8010, SH4001, SHRSA122, SHRSB820RG, SHHS4030G, SHH1010, SHWES2050, SHDR9005, SH6103

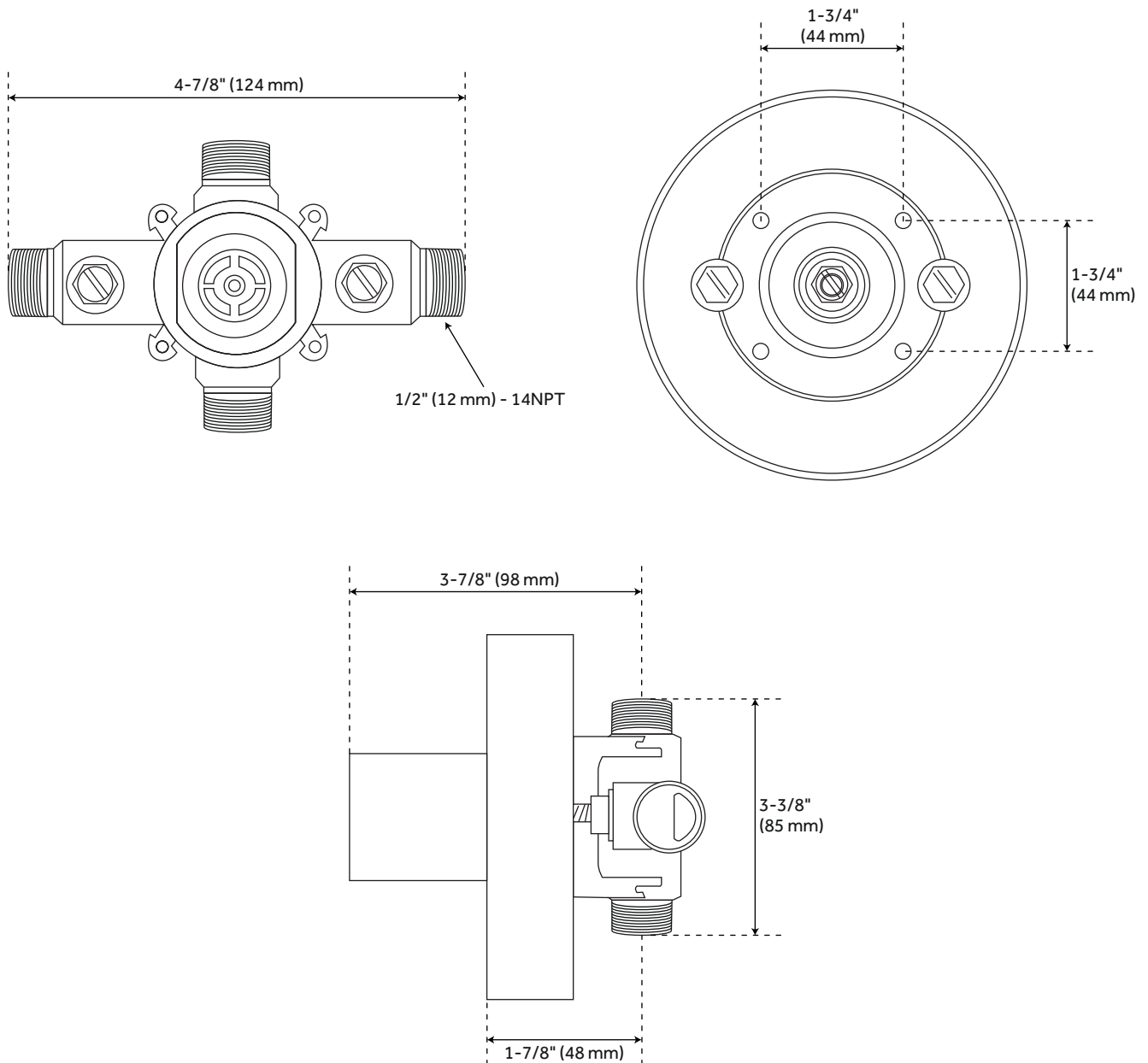


ADDITIONAL FEATURES

- Metal lever handles.
- Single function 8" Rainfall shower head.
- Hand shower with easy-clean spray nozzles.
- 60" - 72" stretchable metal shower hose.
- Included Rough-in valves:
 - Pressure balance valve features a one-piece cartridge design for ease of maintenance, back-to-back capability, a ceramic disc cartridge, cast bronze valve body, adjustable temperature limit stop, a quick remove plaster guard, easy mounting brackets and integral stops.
 - Diverter valve features a ceramic disc cartridge and brass valve body. Single-Function CALGreen Diverter Valve Cartridge that restricts water flow to one outlet at a time available. (SH6150)

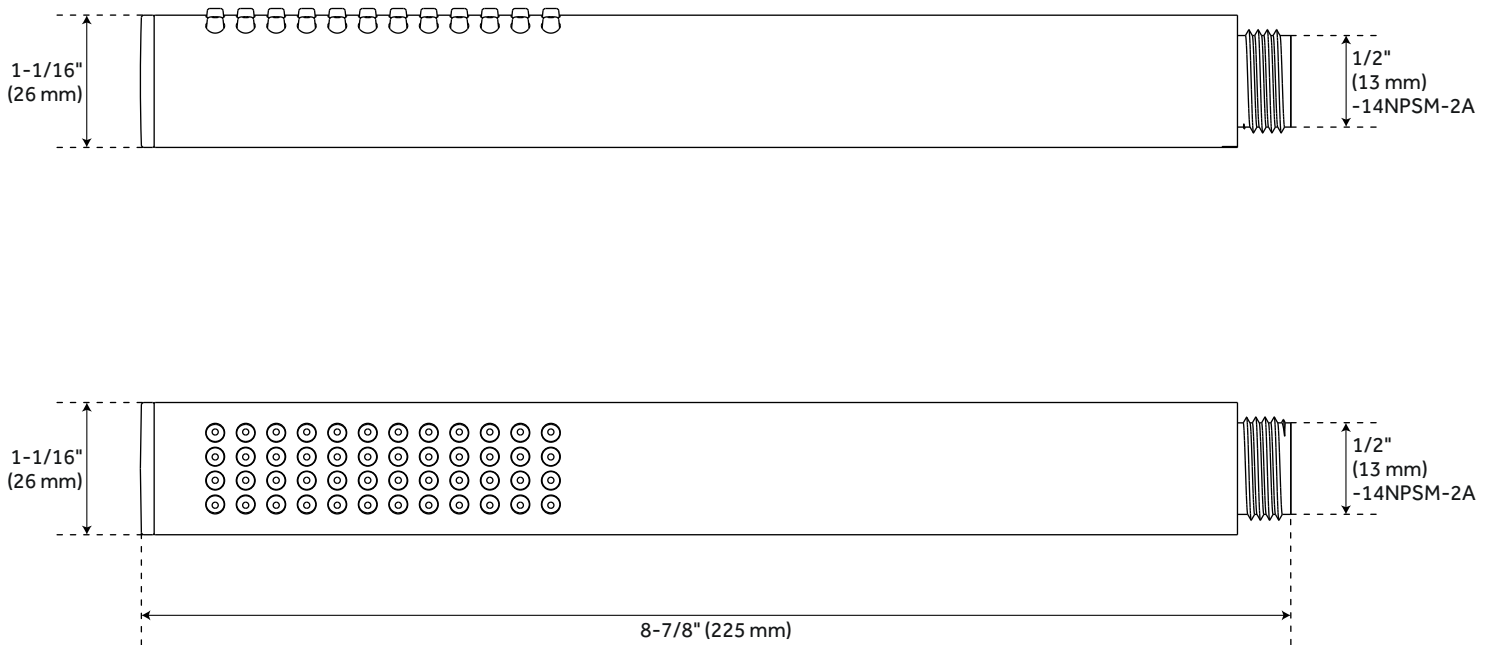
REVISED 7/7/2023

DREA PRESSURE BALANCE TUB AND SHOWER ROUGH-IN VALVE



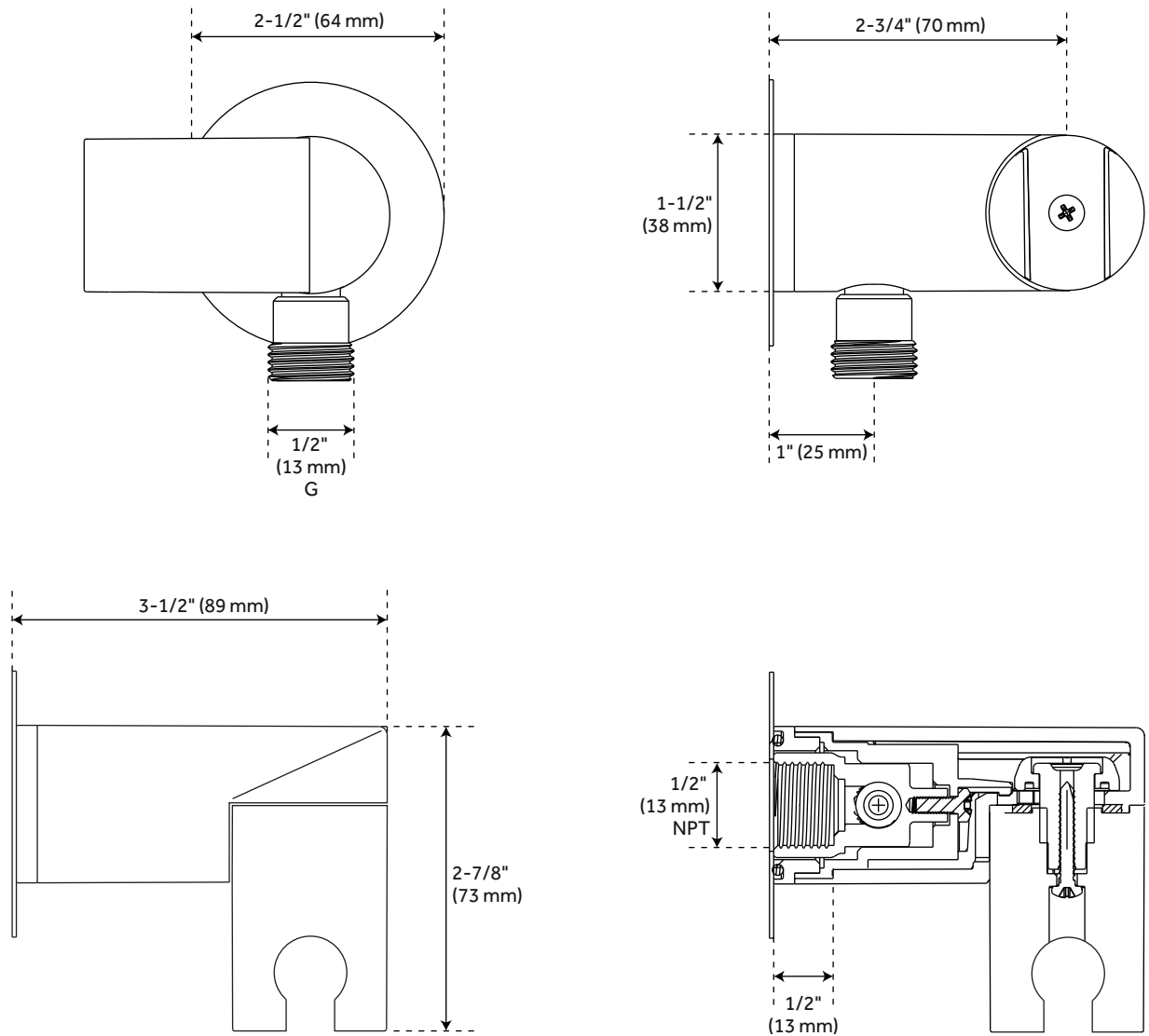
All dimensions and specifications are nominal and may vary. Use actual products for accuracy in critical situations.

DREA CONTEMPORARY TUBULAR HAND SHOWER



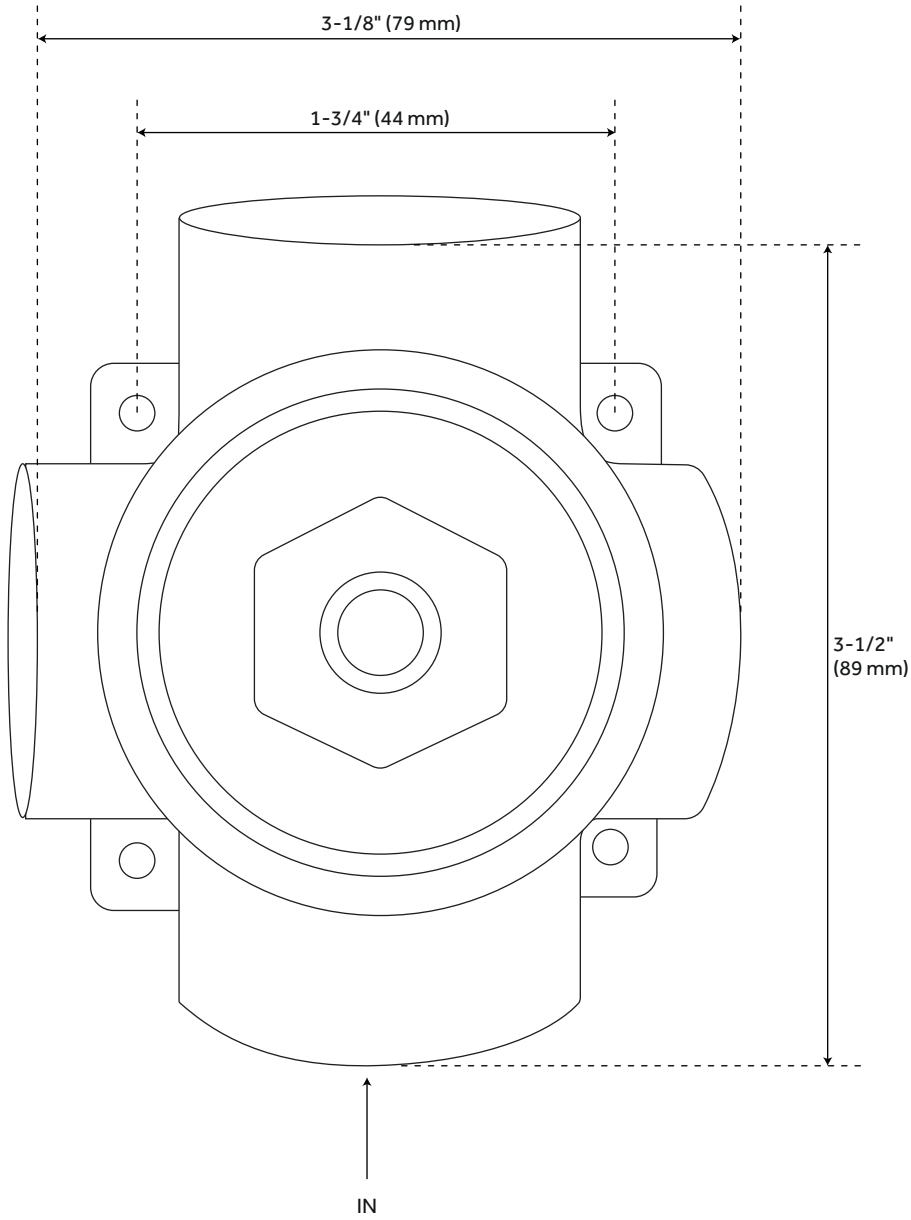
All dimensions and specifications are nominal and may vary. Use actual products for accuracy in critical situations.

SWIVEL WATER SUPPLY ELBOW AND BRACKET FOR HAND SHOWER



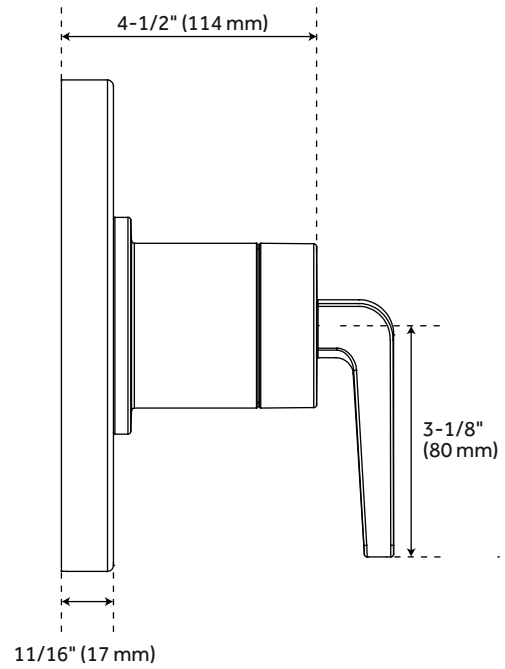
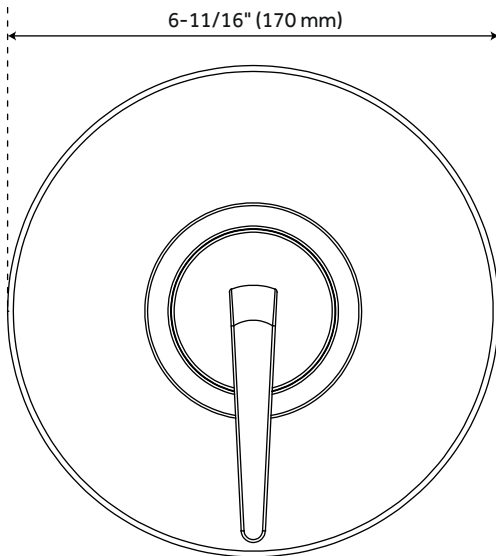
All dimensions and specifications are nominal and may vary. Use actual products for accuracy in critical situations.

DREA PRESSURE BALANCE TUB AND SHOWER ROUGH-IN VALVE



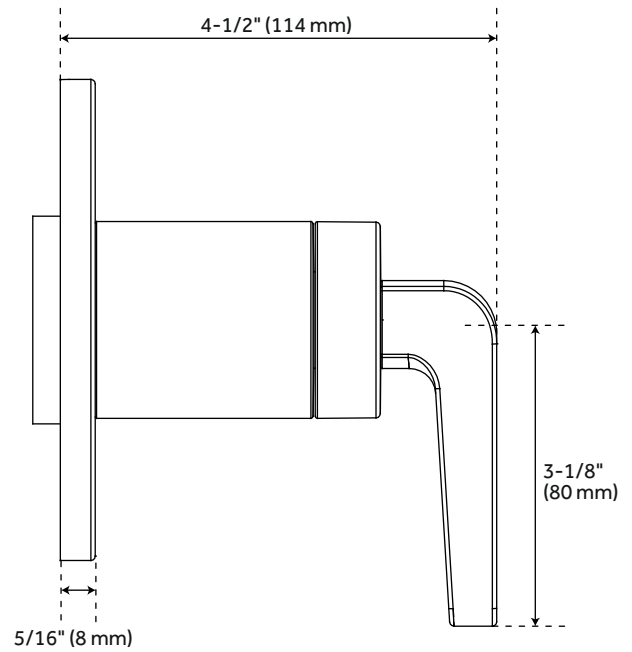
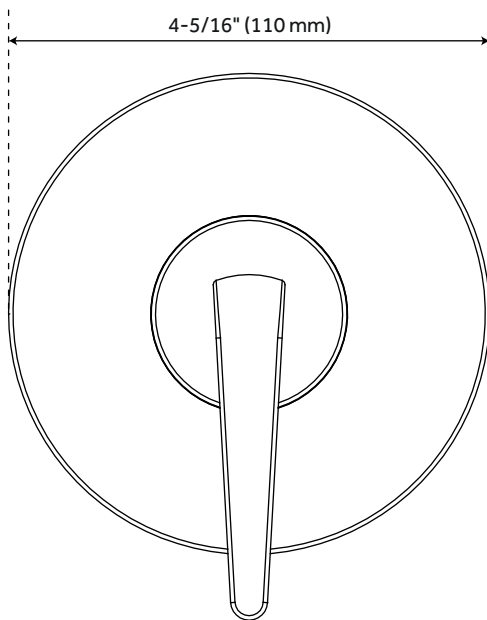
All dimensions and specifications are nominal and may vary. Use actual products for accuracy in critical situations.

DREA PRESSURE BALANCE SHOWER SET



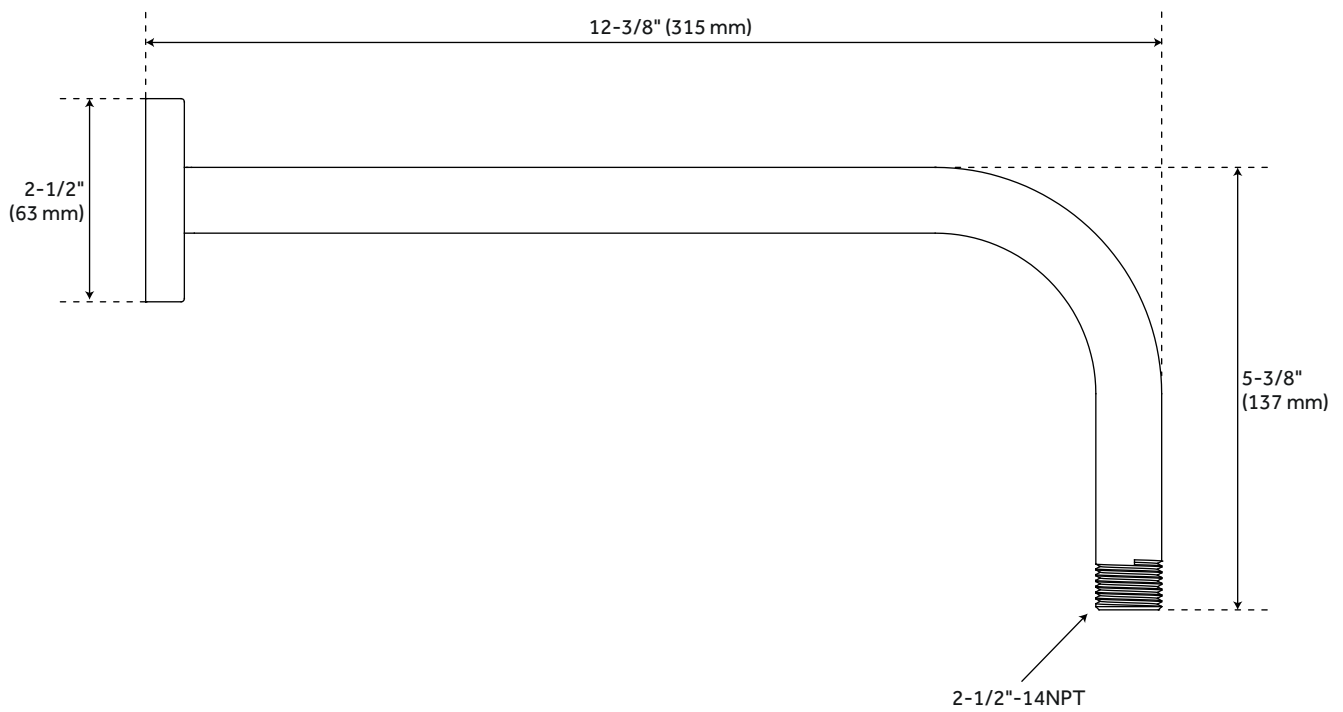
All dimensions and specifications are nominal and may vary. Use actual products for accuracy in critical situations.

DREA IN-WALL SHOWER DIVERTER TRIM



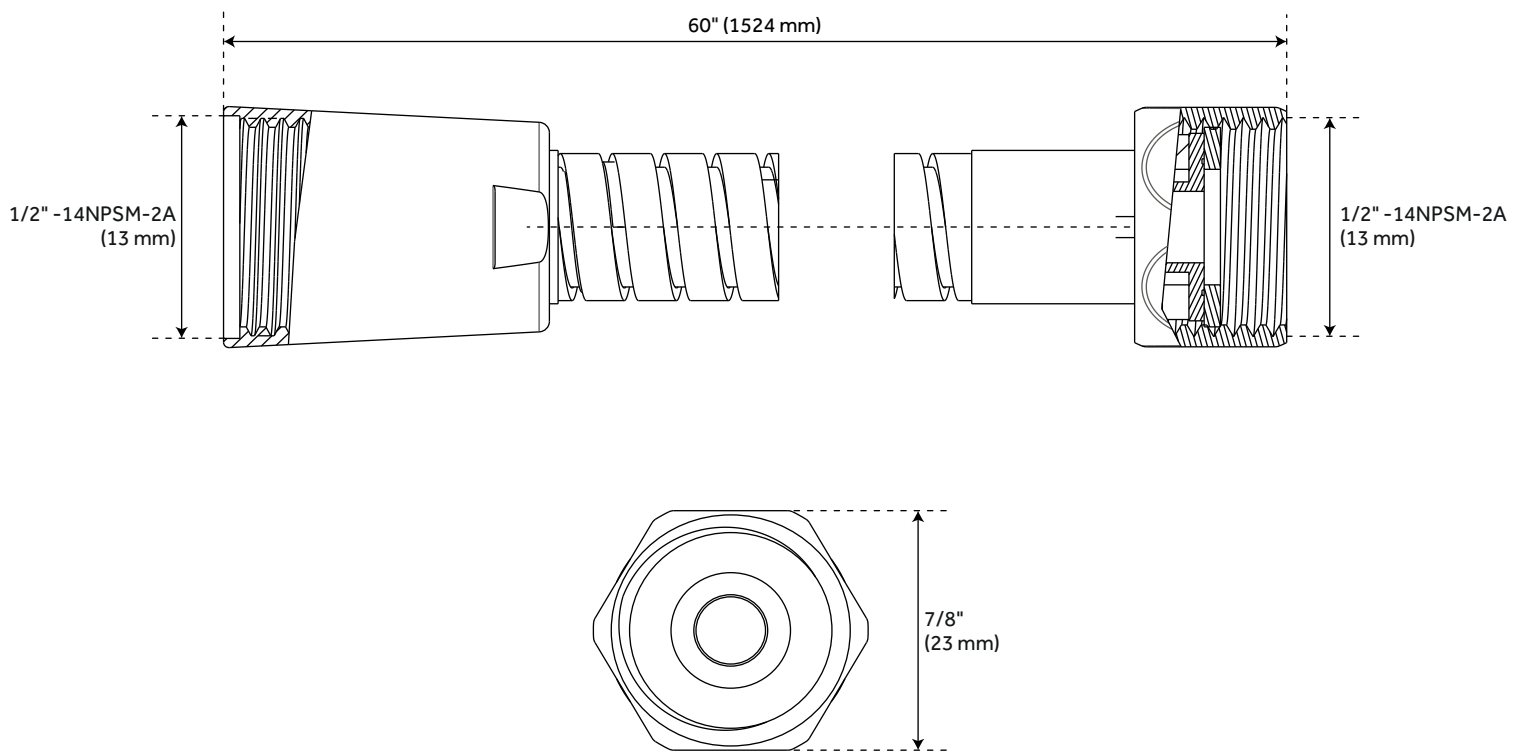
All dimensions and specifications are nominal and may vary. Use actual products for accuracy in critical situations.

DREA WALL-MOUNT SHOWER ARM



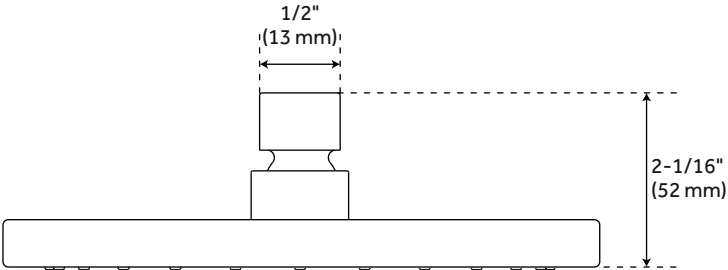
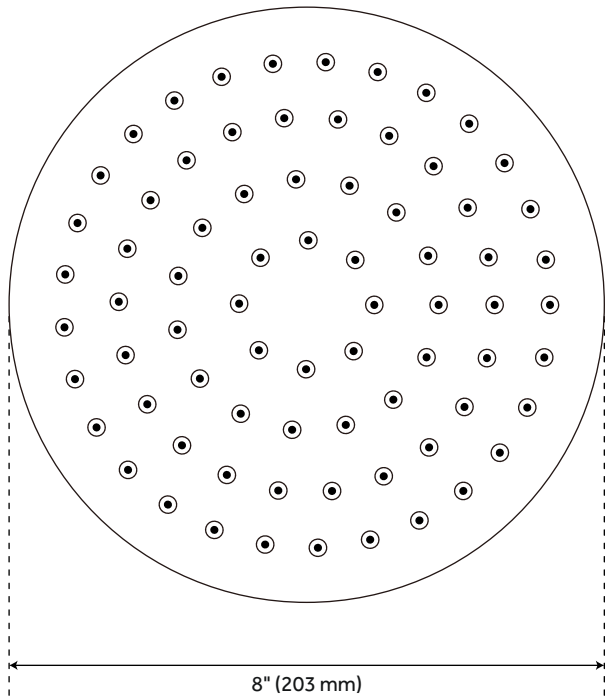
All dimensions and specifications are nominal and may vary. Use actual products for accuracy in critical situations.

DREA WALL-MOUNT SHOWER ARM



All dimensions and specifications are nominal and may vary. Use actual products for accuracy in critical situations.

DREA MODERN ROUND RAINFALL SHOWER HEAD - 1.8 GPM



All dimensions and specifications are nominal and may vary. Use actual products for accuracy in critical situations.